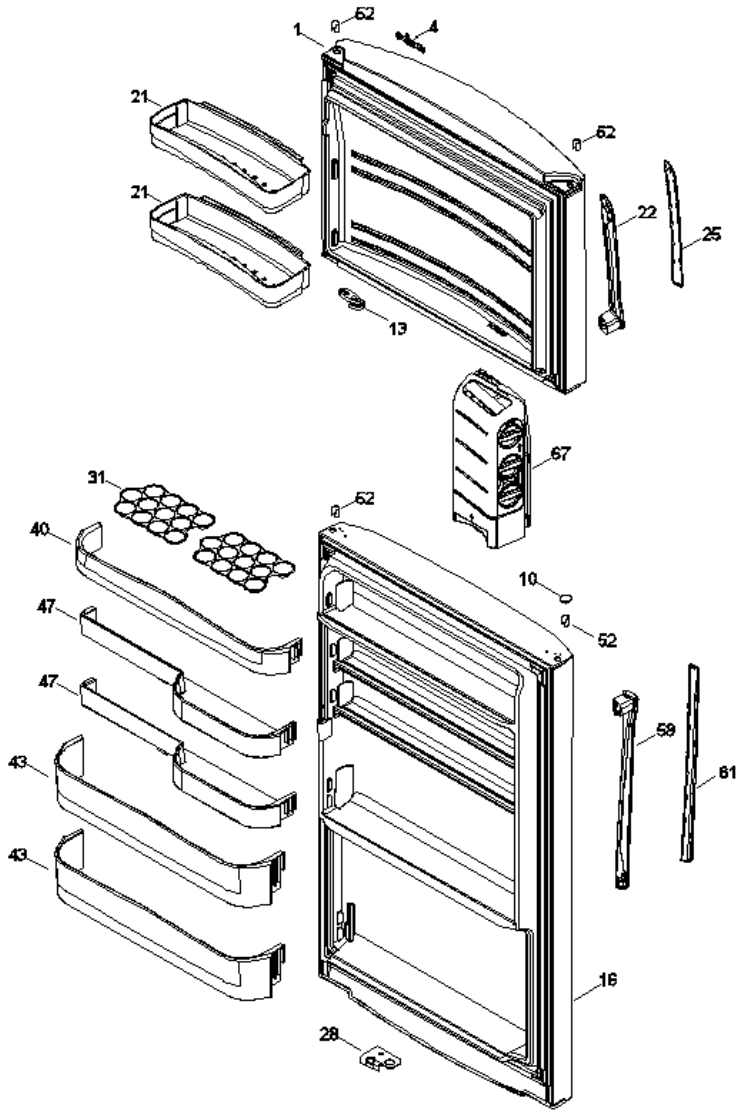
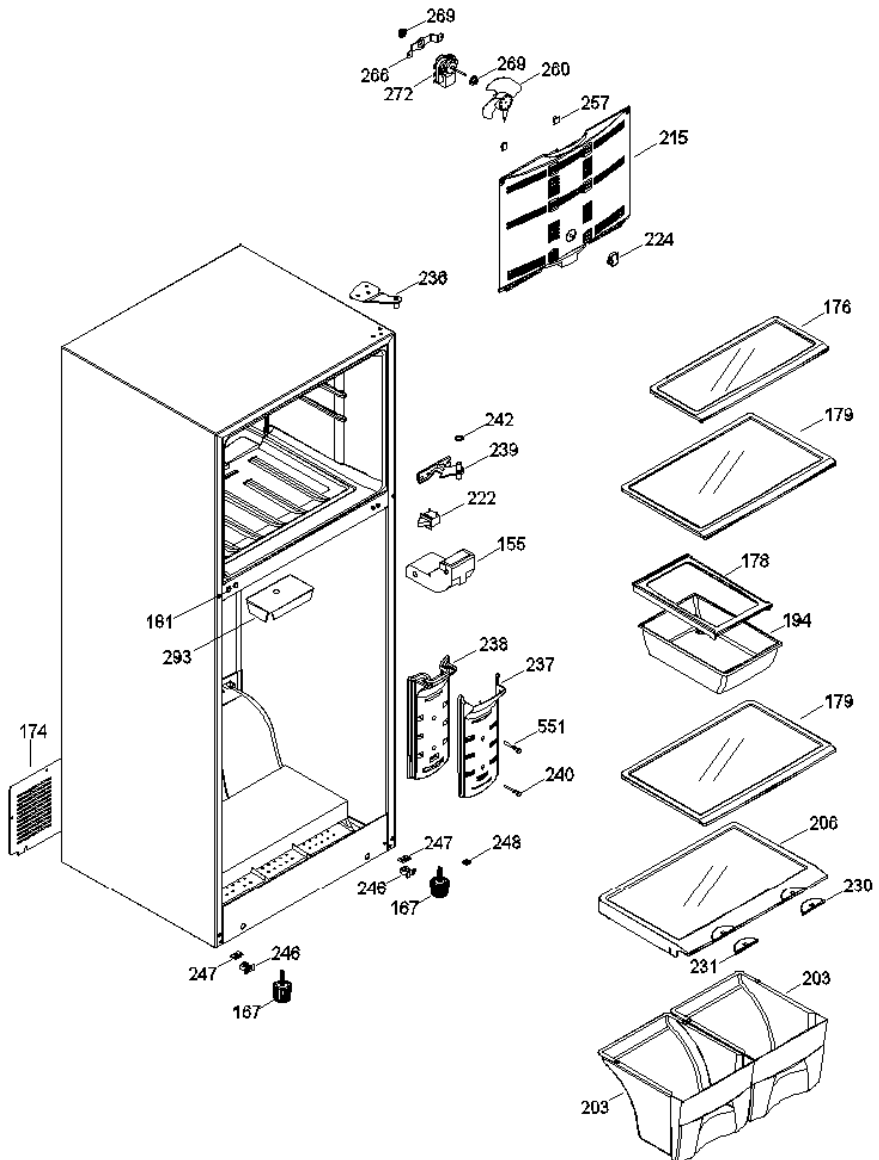


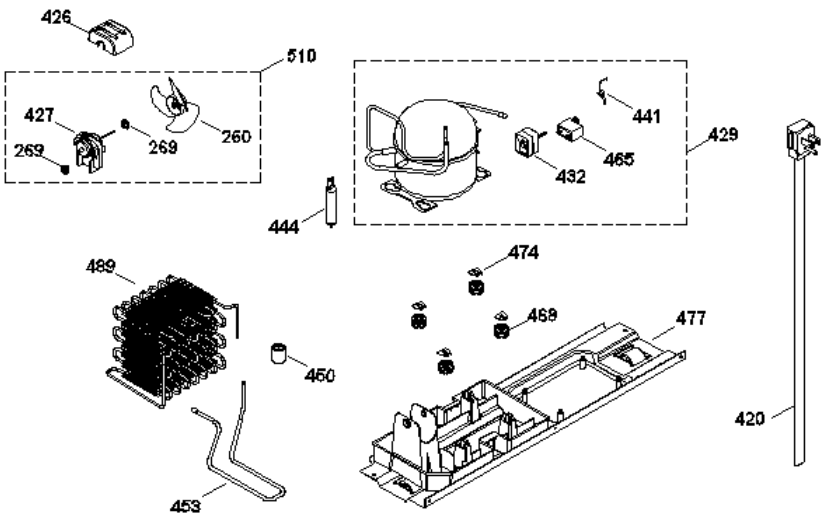
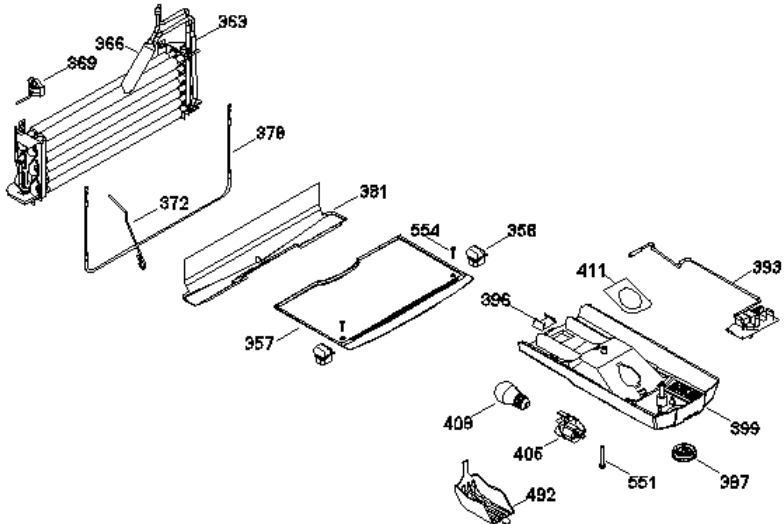
RMT81XITAMBO



RMT81XITAMBO



RMT81XITAMBO





RMT81XITAMBO

1	225D4263G001	PUERTA CONGELADOR CURVA(BCO)
4	238C3975G001	PLACA EMBLEMA MABE 200
10	238C1221P001	TAPON BUJE BLANCO
13	355B1499P006	TOPE PUERTA CONGELADOR NATURAL
16	225D4265G009	PTA.FF.ESP.18 XI.PREM
21	200D6479P001	ANAQUEL DESLIZABLE 16-18
22	225D4146P001	BASE JALADERA BCO FZ P
25	225D4148P005	INSERTO BLANCO C/HS FZ
28	238C2106P001	TOPE PUERTA REFRIGERADOR
31	200D2724P004	CHAROLA DE HUEVOS
40	200D2316P001	ANAQUEL ANGOSTO 1618 HI
43	200D2317P001	ANAQUEL ANCHO ALTO
47	200D2315P001	ANAQUEL DOBLE PROFUNDIDAD
52	238C2207P001	BUJE PUERTA
58	225D4147P001	BASE JALADERA BCO.FF P
61	225D4149P005	INSERTO BLANCO C/HS FF
67	200D5142G017	FABRICA D HIELO ENS.PR
155	9001882	DUCTO ESPUMA ENSAMBLE
167	314B8640P010	TORNILLO NIVELADOR GRIS
174	200D2305P002	TAPA COMPRESOR 15/16 C
176	200D6992G016	ENS.PARR.FZ.CRISTAL 16
178	200D9491P002	SOPORTE CAJON 17-19
179	200D9889G017	ENS.PAR.FF.CRIS.S/SOP.
181	314B9397P001	TAPON TORNILLO MANGUETE BCO
194	200D2889P001	CAJON CARNES
203	200D2375G005	CAJON LEGUMBRES ENS
206	200D6990G013	TAPA VIDRIO CAJON LEGUMBRES
215	225D2477G004	CUB EVAP S/MOT.PRISM 16',18' W
222	314B8274P001	INTERRUPTOR FOCO
224	355B2155P009	PERILLA REGULAD.VERDE7
230	238C2824P007	CONTROL DE HUMEDAD MIN
231	238C2824P008	CONTROL DE HUMEDAD MAX
236	200D3939G003	BISAGRA SUPERIOR DERECHA

237	200D5080P013	TORRE W TWIST AIR XI-X
238	200D5391G001T	DUCTO AIRE TORRE W ENS
239	355B1718G012	BISAGRA INTERM.ENS.
240	221C5126P001	TAPON BCO
242	238C1981P001	RONDANA BISAGRA
246	238C3981P001	ESPACIADOR PLASTICO
247	238C3963P001	SOPORTE NIVELADOR
248	203C2032P010	RONDANA BISAGRA INTERMEDIA
257	355B1485P001	CLIP ADHESIVO EVAP
260	197D3131G006	ASPA VENTILADOR Y ANILLO ENS.
263	200D2940P006	MOTOR VENTILADOR CONDENS.
266	238C1189P002	SOPORTE MOTOR VENTILADOR
269	221C5143P001	EMPAQUE MOTOR VENTILADOR
272	200D2940P011	MOT VENT EVAP ENCAP SEDNA PRIS
293	355B2381P001	AISLANTE ELECTRICO SUP
357	200D3332P001	PISO CONGELADOR
358	238C2668P001	DUCTO DE RETORNO POL.15-18 FID
363	200D3599G009	EVAPORADOR ENSAMBLE COMPL.
366	238C1961G001	ACUMULADOR ENS.POLAR12-18 DOE
369	238C1015P005	TERMOSTATO DESHIELO PERSEUS
372	203C5692P003	ALAMBRE CALEFACTOR
372	203C5692P003	ALAMBRE CALEFACTOR
372	203C5692P003	ALAMBRE CALEFACTOR
372	203C5692P003	ALAMBRE CALEFACTOR
378	238C2216G020	RESISTENCIA ENS.SEDNA
381	200D2302P001	CHAROLA DE DESHIELO
387	238C3223P005	PERILLA CTRL.TEMP.VERD
393	200D9607G004	TARJETA CONTROL LINEA
396	238C1799P001	DIFUSOR CAJA CONTROL
399	200D9890P004	CAJA CONTROL STD.PREMI
405	186D1259G001	SOCKET Y TERM ENS
408	314B9124P001	FOCO (25 W)
411	238C2629P001	FOIL ALUMINIO P/CAJA CTROL STD
420	200D6711G001	ARNES TOMACORRIENTE ST
426	238C2142P001	CLIP MOTOR CONDENSADOR
429	20505212499	COMPRESOR CBE121L2G DOE/FIDE E
429	20505212499	COMPRESOR CBE121L2G DOE/FIDE E
432	200D5578P008	ACC.ELEC. 5SP16B317RH 10025

441	355B2089P004	SUJETADOR CLIP 5SP
444	221C5100P006	FILTRO DESHIDRATADOR E
450	355B1473P001	VALVULA TUBO DREN
453	238C1628G005	TUBO AUXILIAR ENS
465	238C2606P003	CAPACITOR DE 12MFD
468	203C5262P001	AMORTIGUADOR
474	871516P006	SEGURO DE SUJECION COMPRESOR
477	200D2405G002	SOPORTE COMPRESOR ENS.
489	200D3706P002	CONDENSADOR MULTILAYER
492	162D7022P001	PROTECTOR PANTALLA
510	355B1403G002	VENTILADOR CONDENSADOR ENS.
551	314B8355P001	TORNILLO 8-19 HI/LO
554	355B1714P002	TORNILLO PISO CONGELADOR