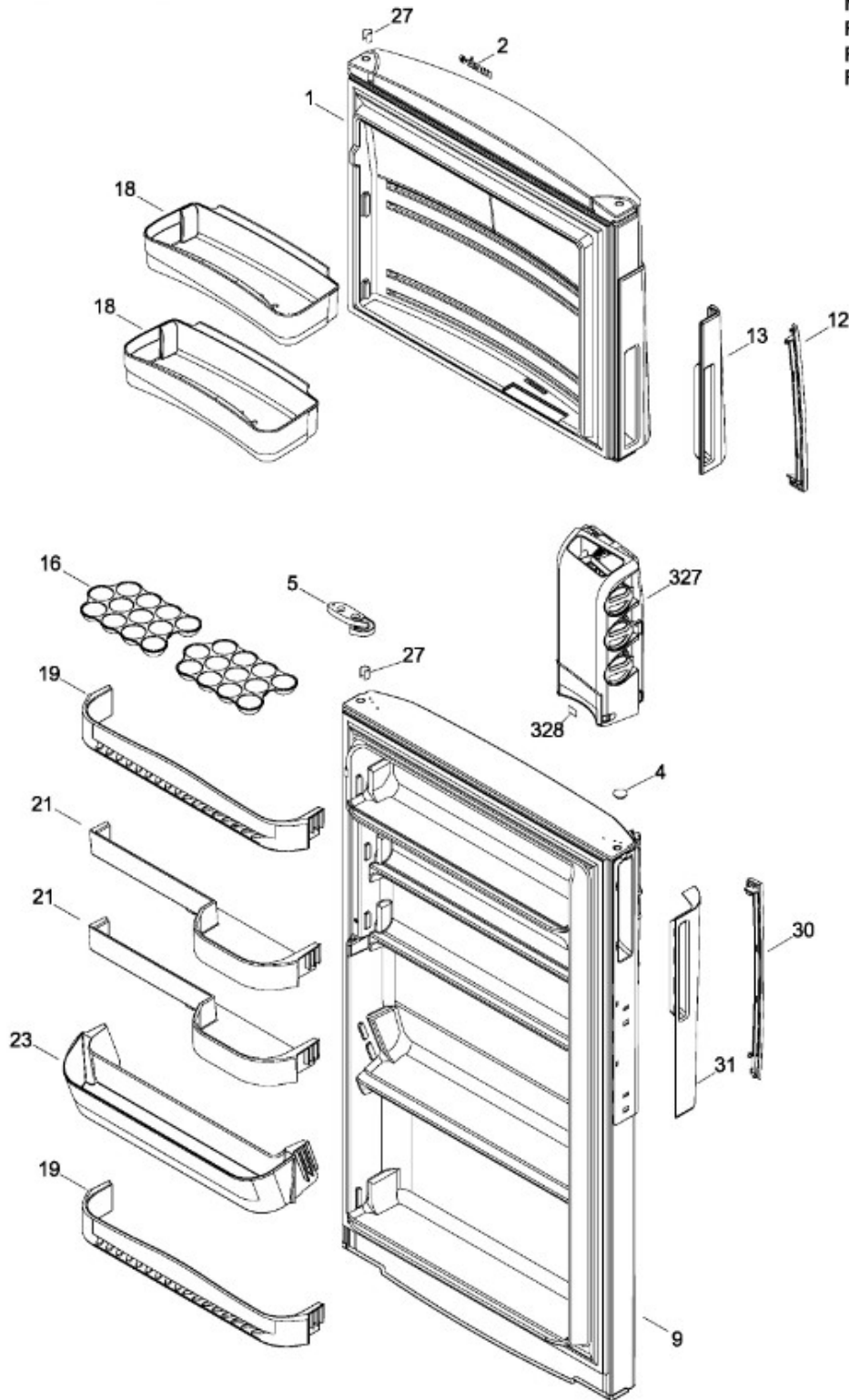




# REFRIGERADOR RMV51YIMB1

## PARTES PARA PUERTA

MA051YIMS2  
MA051YIWMS1  
RMV51YIMB1  
RMV51YIML1  
RMV51YIMSS1



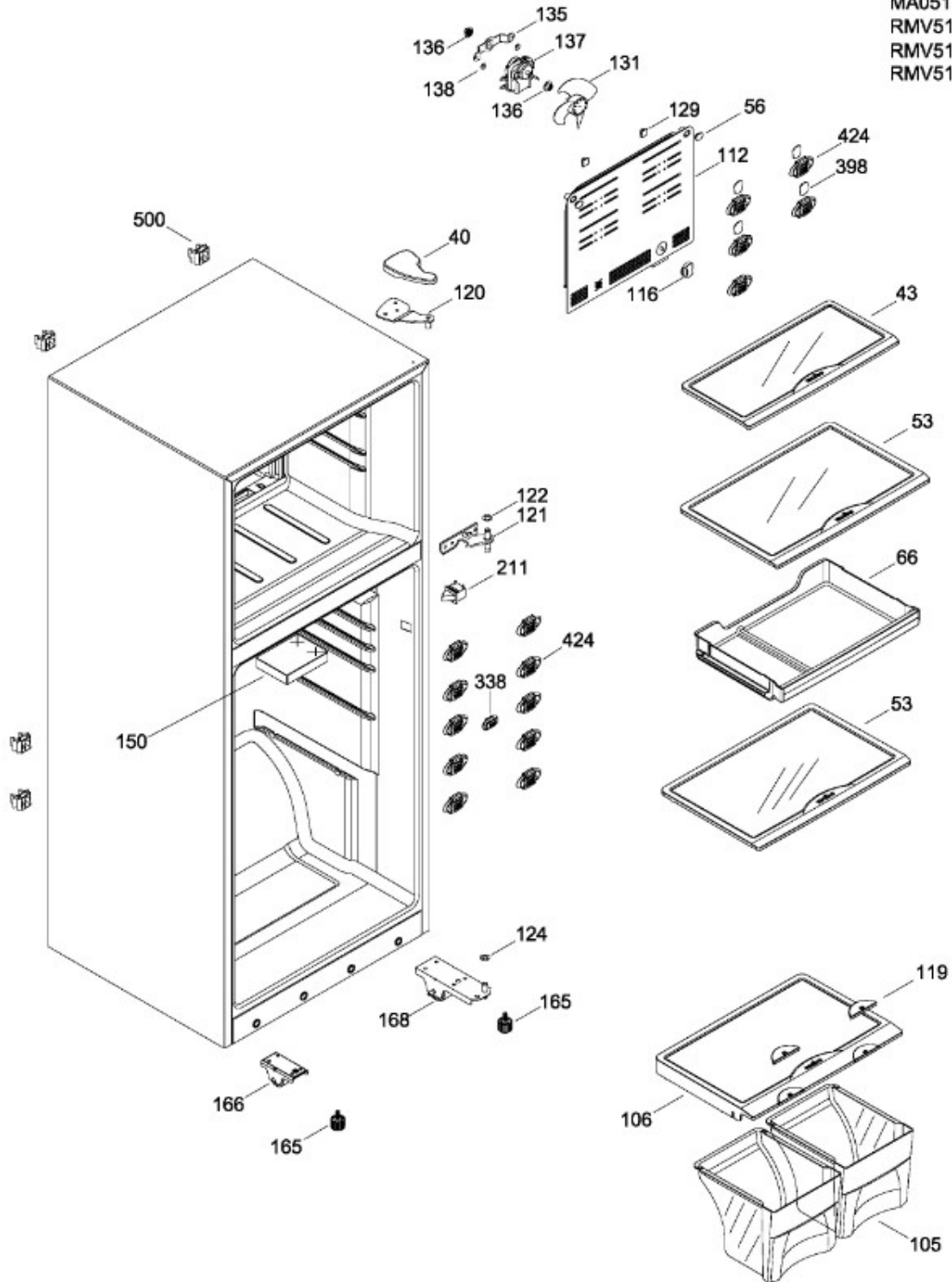
BENITO JUÁREZ #1500 GPE ZITON, CD. GUADALUPE NUEVO LEÓN TEL: 8183377999 Y 49  
HORARIOS: LUNES A VIERNES 8:30 A 6:00 PM Y SÁBADOS DE 8:30 A 2:00 PM  
WEB: [www.denek.com](http://www.denek.com)



# REFRIGERADOR RMV51YIMB1

PARTES PARA GABINETE

MA051YIMS2  
MA051YIWMS1  
RMV51YIMB1  
RMV51YIML1  
RMV51YIMSS1



106.- TAPA CAJON LEGUMBRES ENS.

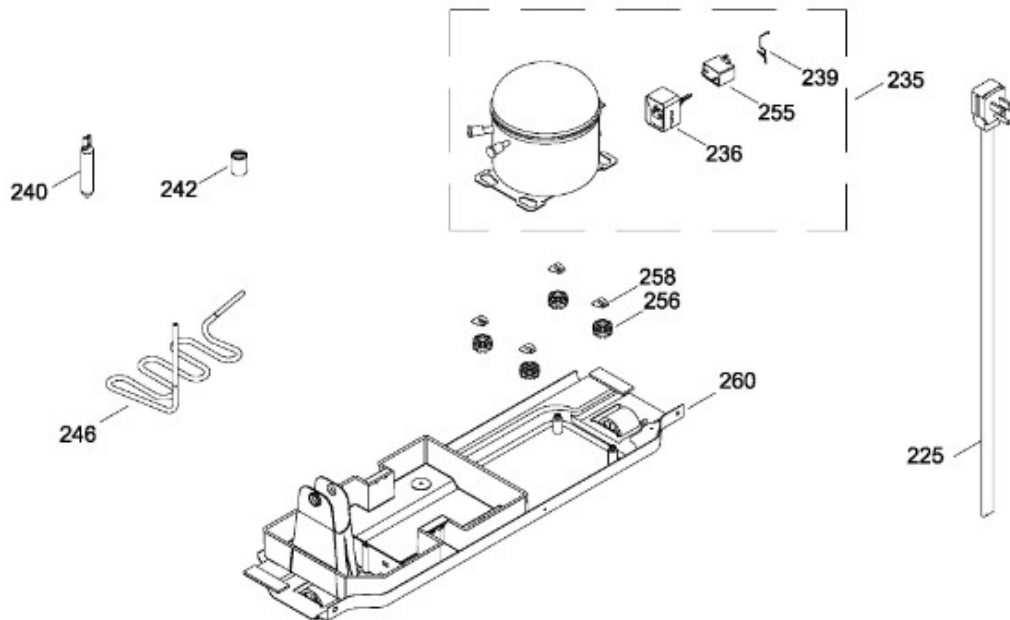
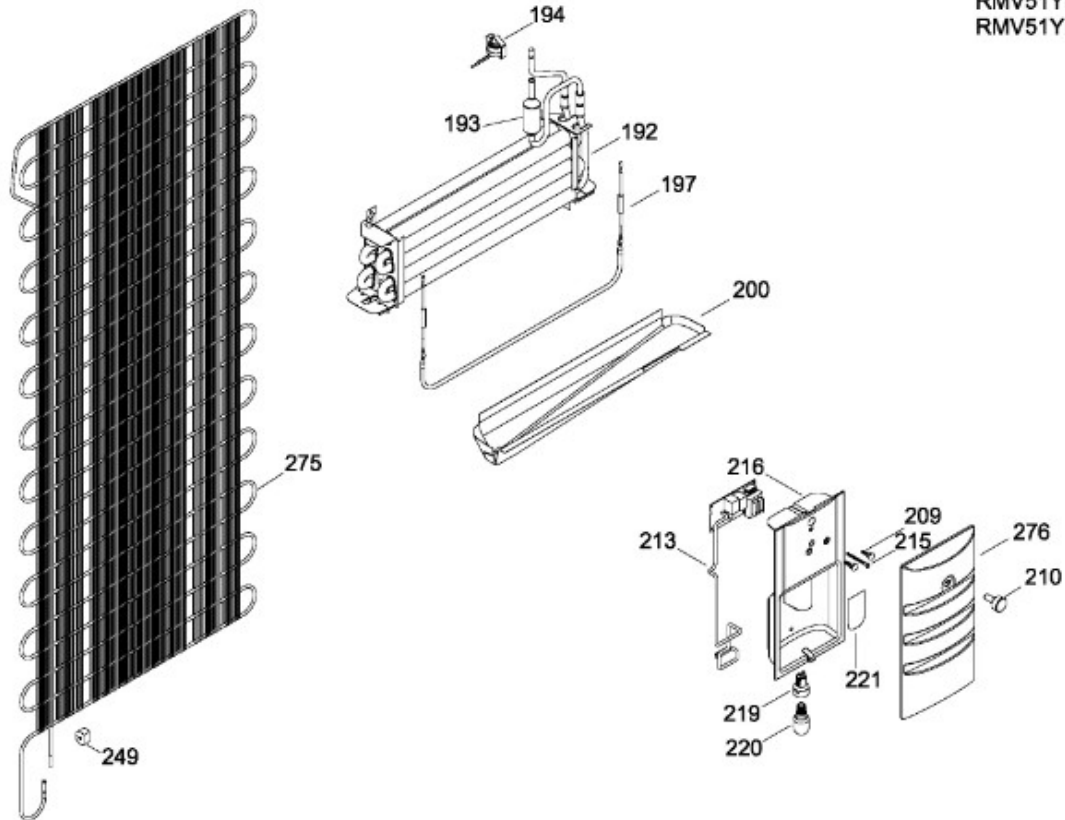
BENITO JUÁREZ #1500 GPE ZITON, CD. GUADALUPE NUEVO LEÓN TEL: 8183377999 Y 49  
HORARIOS: LUNES A VIERNES 8:30 A 6:00 PM Y SÁBADOS DE 8:30 A 2:00 PM  
WEB: [www.denek.com](http://www.denek.com)



# REFRIGERADOR RMV51YIMB1

PISO CONGELADOR Y UNIDAD REFRIGERANTE

MA051YIMS2  
MA051YIWMS1  
RMV51YIMB1  
RMV51YIML1  
RMV51YIMSS1



BENITO JUÁREZ #1500 GPE ZITON, CD. GUADALUPE NUEVO LEÓN TEL: 8183377999 Y 49  
HORARIOS: LUNES A VIERNES 8:30 A 6:00 PM Y SÁBADOS DE 8:30 A 2:00 PM  
WEB: [www.denek.com](http://www.denek.com)



## REFRIGERADOR RMV51YIMB1

| Guía | Refacción     | Descripción              |
|------|---------------|--------------------------|
| 1    | 200D8868G001E | PTA.FZ.ESP.14POL/SDN     |
| 2    | WR01A00401    | PLACA EMBLEMA MABE SED   |
| 2    | WR01A01249    | PLACA EMBLEMA MABE SED   |
| 2    | WR01A02267    | PLACA EMBLEMA SIRIUS 360 |
| 4    | WR01A01193    | TAPON BUJE               |
| 5    | WR01A01217    | TOPE PUERTA INTERMEDIO   |
| 9    | WR01L05210    | PUERTA REFR.             |
| 12   | 200D8348P011  | INSERTO JALAD.FZ SPARK   |
| 13   | 200D8901P007  | CUBIERTA JALAD.FZ SPAR   |
| 16   | WR01L05908    | RACK HUEVOS              |
| 18   | WR01L04688    | ANAQUEL DESLIZABLE       |
| 19   | WR01L04672    | ANAQUEL                  |
| 21   | WR01L04669    | ANAQUEL                  |
| 23   | WR01L04710    | ANAQUEL                  |
| 30   | 200D9499P011  | INSERTO JALADERA FF.SP   |
| 31   | 200D8902P007  | CUBIERTA JALADERA FF S   |
| 40   | WR01L05962    | TAPA BISAGRA             |
| 43   | WR01L04958    | ENS. PARRILLA CONG.      |
| 52   | WR01L02462    | BUJE BISAGRA             |
| 53   | WR01L04960    | ENS. PARRILLA REFR.      |
| 66   | 200D6404P003  | CAJON CARNES MB 1214     |
| 105  | WR01L04929    | ENS. CAJON LEGUMBRES     |
| 106  | WR01L04953    | TAPA CAJON LEG ENS.      |
| 112  | WR01L04838    | CUBIERTA EVAPORADOR      |
| 116  | WR01L05166    | PERILLA DAMPER           |
| 119  | WR01F02110    | CONTROL HUMEDAD          |
| 121  | WR01L06031    | BISAGRA INTERMEDIA ENS.  |
| 122  | WR01A01112    | ESPACIADOR BISAGRA       |
| 122  | WR01A01110    | ESPACIADOR BISAGRA       |
| 129  | WR01A01099    | CLIP ADHESIVO EVAP       |
| 135  | WR01A00876    | SOPORTE MOTOR EVAPORADOR |
| 137  | WR01F02447    | MOTOR VENTILADOR         |
| 137  | WR01F02268    | MOTOR VENTILADOR         |
| 138  | WR01L05033    | FOAM WASHER              |
| 150  | WR01F01959    | AISLANTE ELEC.           |

BENITO JUÁREZ #1500 GPE ZITON, CD. GUADALUPE NUEVO LEÓN TEL: 8183377999 Y 49  
HORARIOS: LUNES A VIERNES 8:30 A 6:00 PM Y SÁBADOS DE 8:30 A 2:00 PM  
WEB: [www.denek.com](http://www.denek.com)



## REFRIGERADOR RMV51YIMB1

| Guía | Refacción      | Descripción                    |
|------|----------------|--------------------------------|
| 166  | WR01A01186     | SOPORTE RUEDA ENS.             |
| 167  | WR01A01225     | TORNILLO NIVELADOR             |
| 167  | WR01A02469     | TORNILLO NIVELADOR             |
| 168  | WR01A01662     | SOP. RUEDA LARGO POLAR         |
| 182  | WR01A01201     | BOTON                          |
| 192  | WR01F02151     | ENS. COMPRESOR EVAPORADOR      |
| 193  | WR01F01953     | ACUMULADOR ENS.                |
| 194  | WR01F03104     | TERMOSTATO DESHIELO PERSEUS    |
| 197  | WR01F02281     | ENS. RESISTENCIA               |
| 200  | WR01L04715     | BANDEJA COLECTORA              |
| 209  | WR01A01136     | SUPORE TARJETA                 |
| 210  | WR01L05139     | PERILLA CONTROL                |
| 211  | WR01L05089     | INTERRUPTOR (6.67.6YL3CER)RVO  |
| 213  | WR01F02489     | TARJETA CONTROL 15" Y          |
| 216  | WR01F02013     | CAJA CONTROL                   |
| 220  | WR01F02226     | FOCO FF                        |
| 220  | WR01F03693     | FOCO FF                        |
| 220  | WR03F04631     | FOCO LED 130V (1.5W)           |
| 220  | WR01F03875     | FOCO LED 130V (1.5W)           |
| 221  | WR01F02236     | FOIL DE ALUMINIO               |
| 225  | WR01F02000     | ARNES TOMACORRIENTE            |
| 235  | 220C_BZN100L2G | COMPRESOR CBZN100 C/ACEITE ENS |
| 236  | WR01L04925     | ENS. BISAGRA                   |
| 236  | WR01F01943     | PROTECTOR RELEVADOR            |
| 239  | WR01A01100     | SUJETADOR CLIP 5SP             |
| 239  | WR01A01614     | SUJETADOR CLIP 5SP             |
| 239  | WR01A02393     | CLIP 5SP 127V GLOBE CAPACITOR  |
| 240  | WR01F02221     | FILTRO DESHIDRATADOR           |
| 240  | WR01F03902     | FILTRO DESHIDRATADOR           |
| 246  | WR01F02190     | ENS. TUBO AUX.                 |
| 246  | WR03F04240     | ENS. TUBO AUX.                 |
| 246  | WR01F04761     | ENS.TUBO SERPENTIN 12'14 AC    |
| 248  | WR01A01150     | RONDANA BISAGRA                |
| 255  | WR01F02043     | CAPACITOR                      |
| 256  | WR01F00846     | ARANDELA COMPRESOR             |

BENITO JUÁREZ #1500 GPE ZITON, CD. GUADALUPE NUEVO LEÓN TEL: 8183377999 Y 49  
HORARIOS: LUNES A VIERNES 8:30 A 6:00 PM Y SÁBADOS DE 8:30 A 2:00 PM  
WEB: [www.denek.com](http://www.denek.com)



## REFRIGERADOR RMV51YIMB1

| Guía | Refacción    | Descripción                       |
|------|--------------|-----------------------------------|
| 256  | WR01L13035   | ARANDELA COMPRESOR                |
| 260  | WR01F00099   | ASPA DE VENTILADOR ENS            |
| 260  | WR01F02179   | ENS. SOPORTE COMPRESOR            |
| 269  | WR01A00239   | EMPAQUE VENTILADOR                |
| 275  | WR01F02075   | CONDENSADOR                       |
| 276  | 238C2804P012 | CUBIERTA FOCO FF MB "Y            |
| 308  | WR01A01277   | CLIP CONDENSADOR PLANO CH         |
| 308  | WR03F04711   | CLIP CONDENSADOR PLANO CH         |
| 327  | WR01F02215   | FABRICA HIELOS                    |
| 328  | WR01A01123   | ETIQUETA CAJON HIELOS ICE FACTORY |
| 338  | WR01L05916   | REJILLA SENS.OR                   |
| 398  | WR01F02241   | FONDO SALIDA DE AIRE              |
| 405  | WR01F02289   | SOCKET ENS.                       |
| 424  | WR01L05932   | SALIDA DE AIRE BASE               |
| 450  | WR01F02375   | VALVULA DREN                      |
| 459  | WR01F01964   | AMORTIGUADOR PARA CONDENSADOR     |
| 474  | WR01A00191   | CLIP COMPRESOR                    |
| 551  | WR01A01224   | TORNILLO 8-19                     |