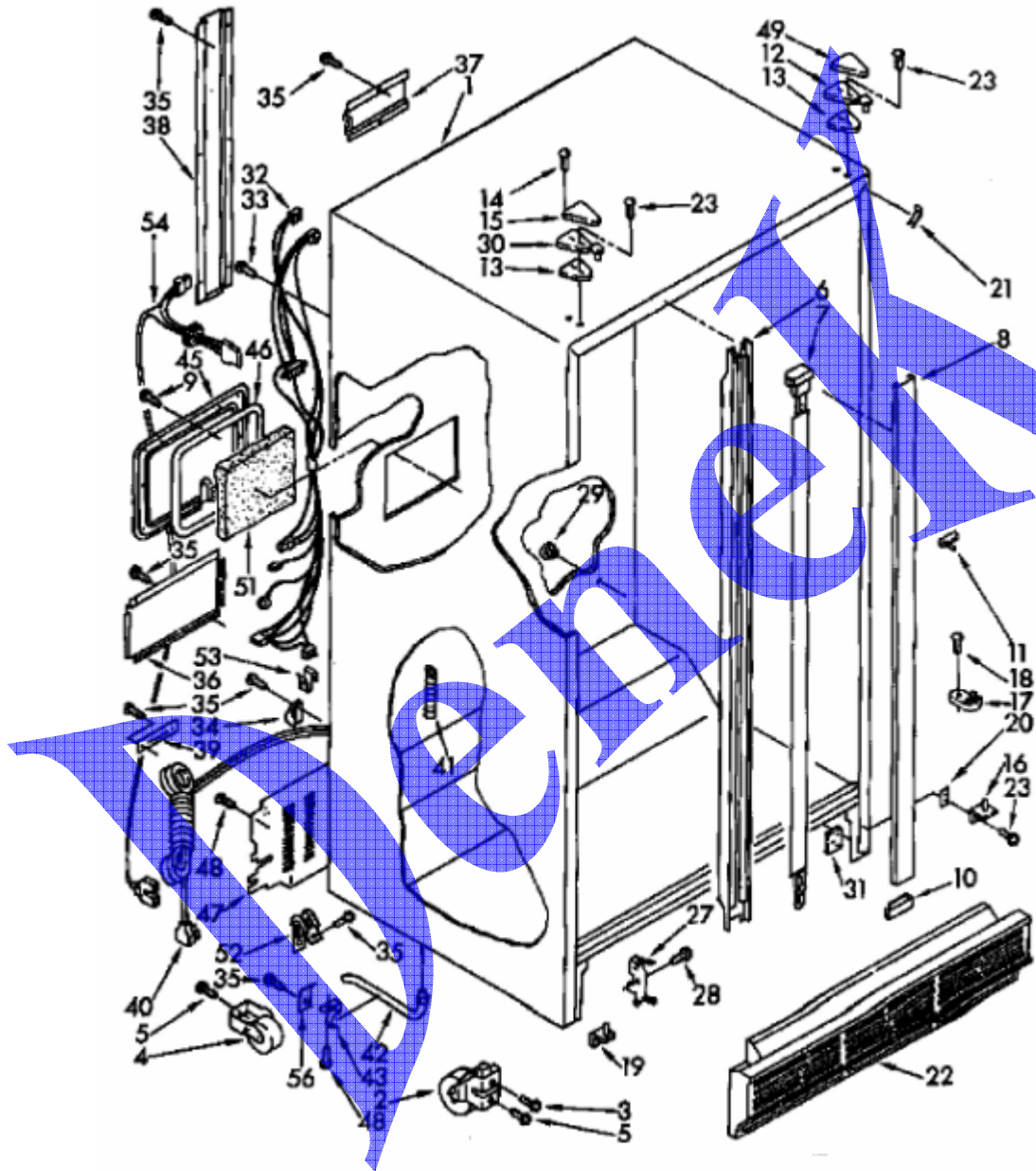


W.P. REF. MODEL. RS25AWXXL00

GABINETE



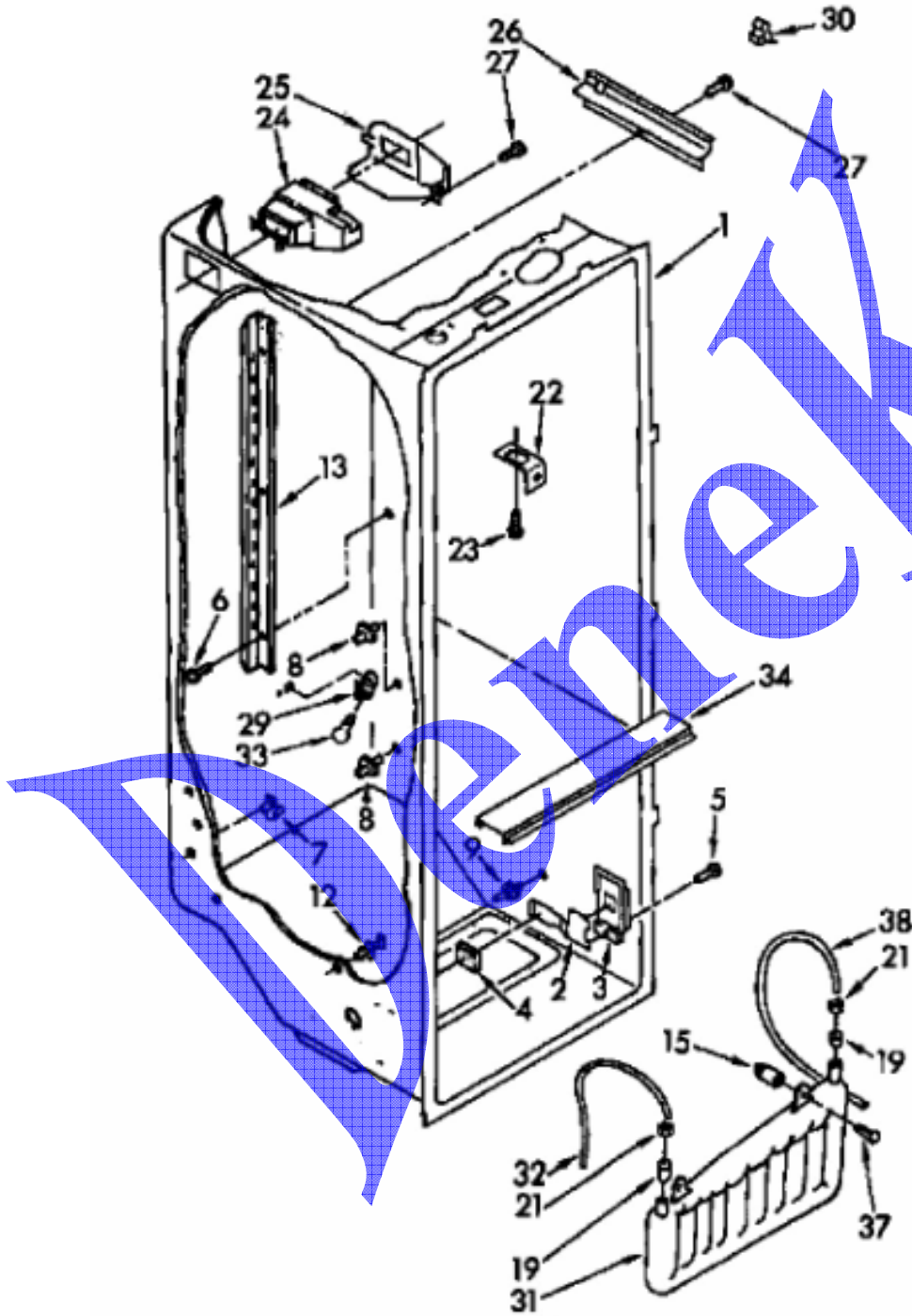
W.P. REF. MODEL. RS25AWXXL00

GABINETE

NUMERO	N.DE PARTE	DESCRIPCION
1		CABINET (NOT A SERVICEABLE PART)
2	2152011	FRONT ROLLER
3	489333	SCREW, 5/16 X 1
4	981122	ROLLER (REAR)
5	489339	SCREW, (4) 1/4-28 X 1/2
6	1118355	MULLION RAIL
7	1110606	HEATER MULLION
8	1123972	FRONT MULLION RAIL (WHITE)
8	1123975	FRONT MULLION RAIL (ALMOND)
9	489337	SCREW (13)
10	1118361	FILLER BOTTOM MULLION (WHITE)
10	1118362	FILLER BOTTOM MULLION (ALMOND)
11	1110607	CLIP, GROUND
12	1123514	HINGE, TOP
13	1123515	SHIM, HINGE
14	489284	SCREW, HINGE
15	987191	HINGE COVER (WHITE)
15	989887	HINGE COVER (ALMOND)
16	2151619	HINGE BOTTOM (R.H)
17	1115901	DOOR CLOSER LOWER CAM
18	489358	SCREW (2)
19	2151620	HINGE BOTTOM (L.H)
20	1129868	SPACER, HINGE
21	1110708	FILLER, WRAPPER (WHITE)
21	1110709	FILLER, WRAPPER (ALMOND)
22	1129054	GRILLE
23	489349	SCREW
27	1114789	GRILLE RETAINER
28	489242	SCREW
29	1115288	GROMMET
30	1123510	HINGE, TOP (L.H.)
31	2147310	TAP PLATE
32	2149745	CABINET HARNESS
33	489048	SCREW, GROUND
34	937357	CLAMP
35	489242	SCREW
36	1129193	COVER, WIRING
37	1108440	WIRING SHIELD, SHORT
38	1119063	WIRING SHIELD, LONG
39	1105607	TUBE CLAMP
40	937360	CORD, SERVICE
41	842258	DRAIN FERRULE
42	1108438	EXTENSION TUBE
43	1108439	CLIP, DRAIN TUBE
45	1110626	COVER, PLUG
46	1115322	SEALING GASKET
47	2147323	COVER, UNIT
48	489084	SCREW, (6) 8 X 1/2
49	842010	HINGE COVER (WHITE)
49	989194	HINGE COVER (ALMOND)
51	1118237	INSULATION
52	549193	CLAMP, SERVICE CORD
53	548745	CLIP, WIRE
54	1129188	WIRING ASSEMBLY (ICEMAKER)
56	836472	CLAMP, WATER LINE(2)

W.P. REF. MODEL. RS25AWXXL00

PIEZAS ENFRIADOR



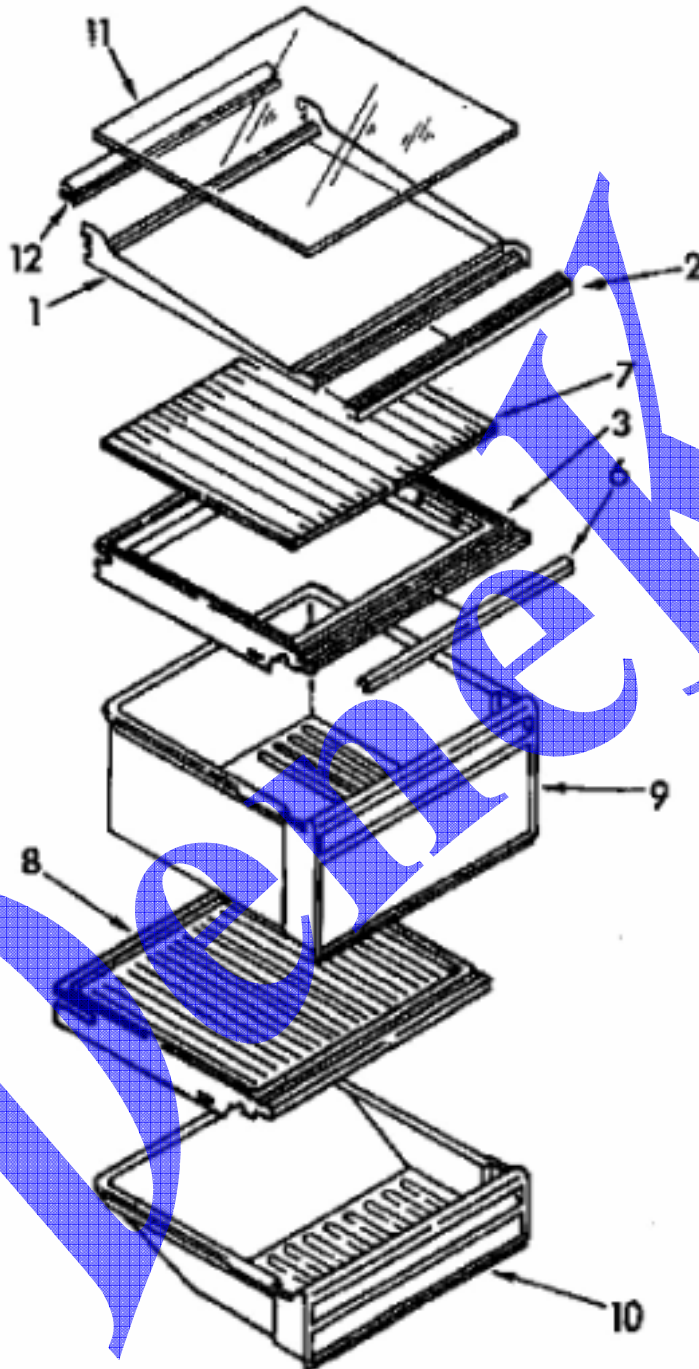
W.P. REF. MODEL. RS25AWXXL00

PIEZAS ENFRIADOR

NUMERO	N.DE PARTE	DESCRIPCION
1		LINER (NOT A SERVICEABLE PART)
2	985468	ESCUTCHEON, MEAT PAN CONTROL
3	984102	SLIDE, MEAT PAN CONTROL
4	992358	PAD, FOAM
5	486214	SCREW, 8-15 X 1/2
6	487539	SCREW (6)
7	1116733	STUD
8	1110718	STUD (5)
9	2149540	STUD (2)
12	2147997	STUD (2)
13	1116794	LADDER, SHELF (2)
15	1115399	STUD, SPACER
19	1129177	INSERT, PLASTIC TUBE
21	1129179	NUT, COMPRESSION
22	1123919	BRACKET, RETAINER
23	489290	SCREW (2)
24	1121327	AIR DIFFUSER ASSEMBLY
25	2152019	COVER, AIR DIFFUSER
26	2150331	COVER, CONDUIT
27	486298	SCREW, 8 X 3/4
29	851067	SOCKET
30	842534	CLIP, AIR DUCT
31	1129170	RESERVOIR
32	1129176	TUBE
33	527949	LIGHT BULB
34	1118259	LIGHT LENS
37	488280	SCREW (2)
38	1119096	TUBE, WATER

W.P. REF. MODEL. RS25AWXXL00

CAJONES Y VIDRIOS



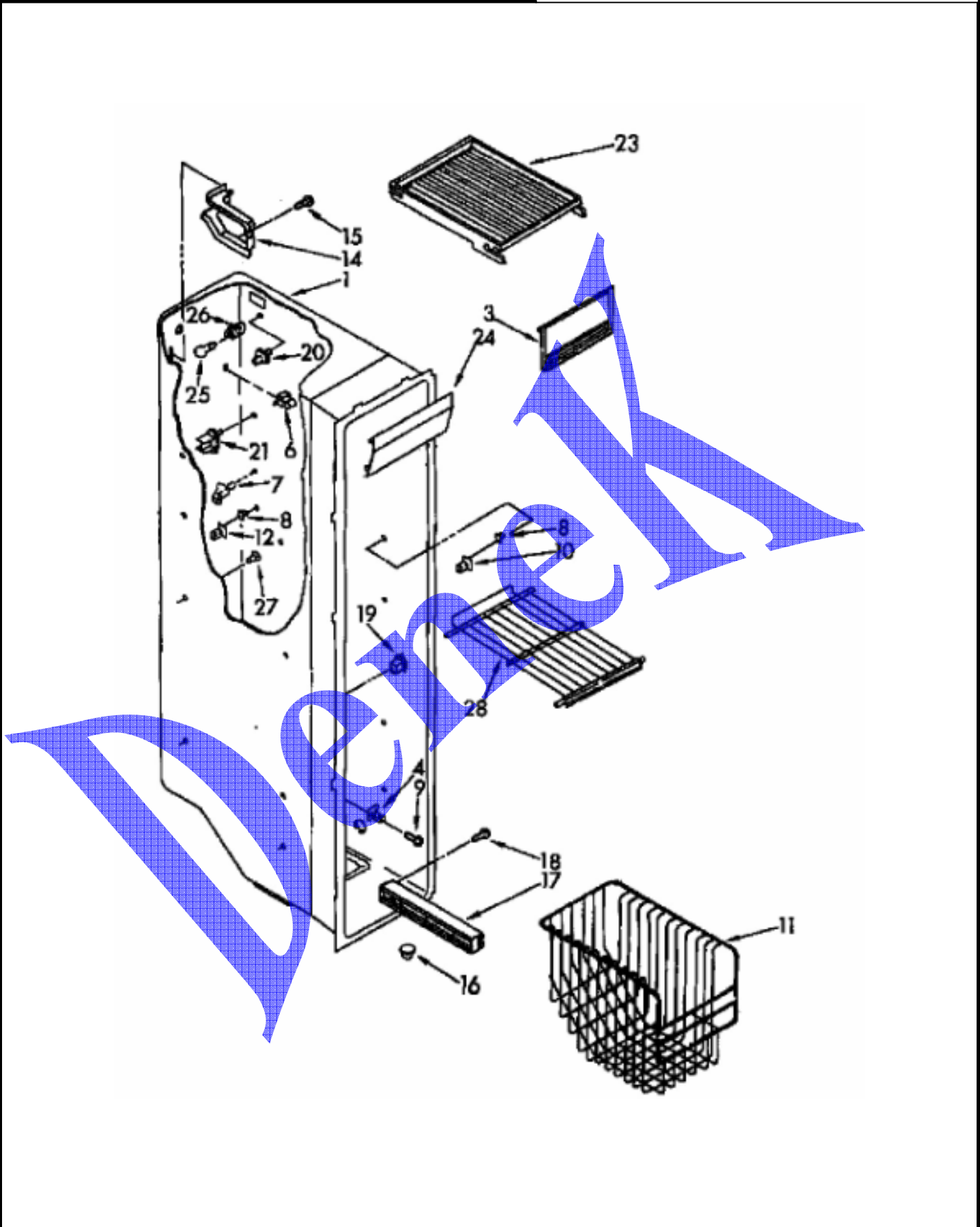
W.P. REF. MODEL. RS25AWXXL00

CAJONES Y VIDRIOS

NUMERO	N.DE PARTE	DESCRIPCION
1	1118413	SHELF ASSEMBLY, CANTILEVER
2	1124421	TRIM, SHELF
3	1124417	COVER, CRISPER
6	1119190	TRIM, CRISPER COVER
7	1124419	GLASS, CRISPER COVER
8	2148304	COVER, MEAT PAN
9	1124418	PAN, CRISPER
10	1124533	PAN, MEAT
11	1124532	GLASS, SHELF
12	1123908	RETAINER, GLASS

W.P. REF. MODEL. RS25AWXXL00

PIEZAS CONGELADOR



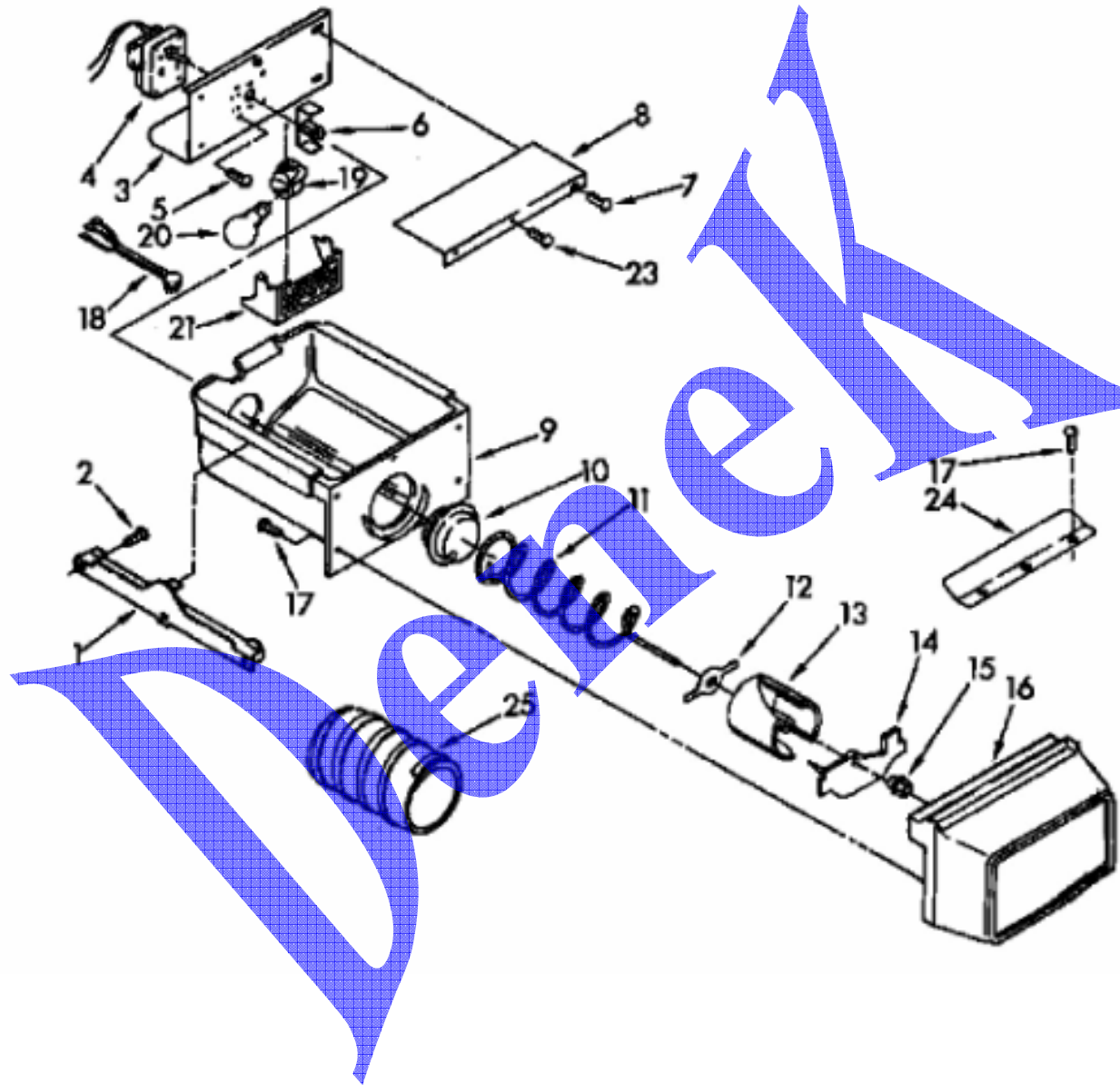
W.P. REF. MODEL. RS25AWXXL00

PIEZAS CONGELADOR

NUMERO	N.DE PARTE	DESCRIPCION
1		LINER (NOT A SERVICEABLE PART)
3	1124529	DOOR, ICE COMPARTMENT
4	1108436	EVAPORATOR, SUPPORT
6	842534	CLIP, AIR DUCT (2)
7	1115317	SUPPORT, STUD
8	946355	SUPPORT, STUD
9	489242	SCREW
10	946356	STUD, FRONT
11	2152090	BASKET, SLOPE
12	1106982	STUD, REAR
14	1114607	WIRING COVER
15	489176	SCREW
16	942768	FITTING, DRAIN
17	1113678	SHELF TRACK (RIGHT SIDE)
17	1113679	SHELF TRACK (LEFT SIDE (4))
18	487042	SCREW
19	1115373	SWITCH, ROCKER ARM
20	1110718	STUD (4)
21	1115386	STUD, SHELF
23	1118294	SHELF, TOP COMPARTMENT
24	1115389	LIGHT LENS
25	527949	LIGHT BULB
26	851067	LIGHT SOCKET
27	1110779	GROMMET (8)
28	1116956	SHELF (3)

W.P. REF. MODEL. RS25AWXXL00

INTERIOR CONGELADOR



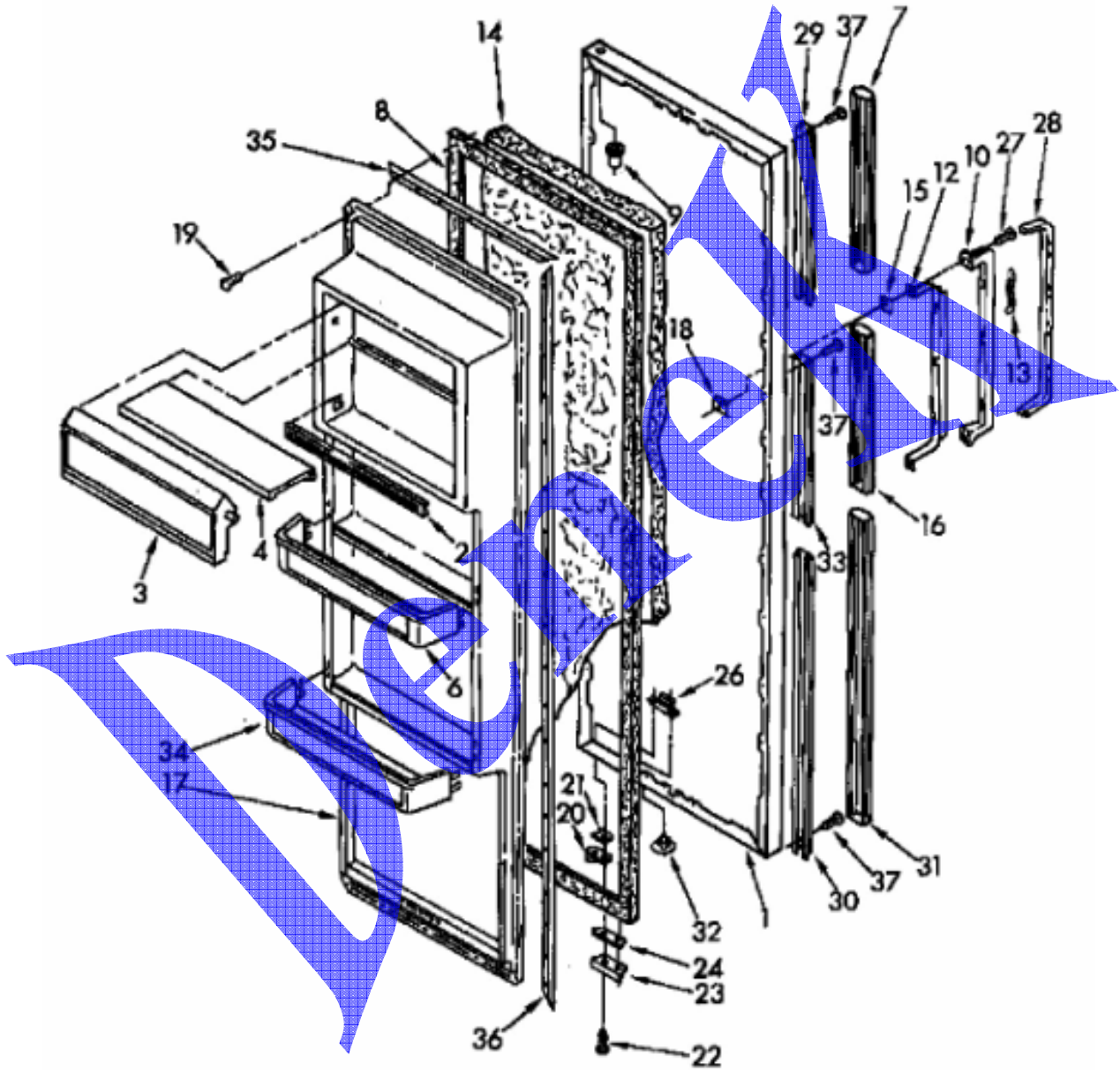
W.P. REF. MODEL. RS25AWXXL00

INTERIOR CONGELADOR

NUMERO	N.DE PARTE	DESCRIPCION
1	1119237	SLIDE, CONTAINER (LEFT SIDE)
1	1119293	SLIDE, CONTAINER (RIGHT SIDE)
2	489100	SCREW
3	1115337	BRACKET, ICE
3		DISPENSER
4	854152	MOTOR
5	488906	SCREW
6	983663	COUPLING, MOTOR
7	489242	SCREW
8	1115339	COVER, MOTOR
9	2152701	ICE CONTAINER
10	983668	COUPLING
11	1115214	CONVEYOR
12	946192	DRIVE BAR
13	946193	DRUM
14	1115362	BAFFLE
15	946195	NUT, BEARING
16	1124531	FRONT COVER
17	488886	SCREW
18	2149942	WIRING ASSEMBLY, ICE DISPENSER
19	851067	SOCKET, LIGHT
20	527949	LIGHT BULB
21	983359	LENS, DISPENSER LIGHT
23	487294	SCREW
24	1119043	DEFLECTOR, ICE CONTAINER
25	2152021	SLEEVE, AUGER

W.P. REF. MODEL. RS25AWXXL00

PUERTA DE ENFRIADOR



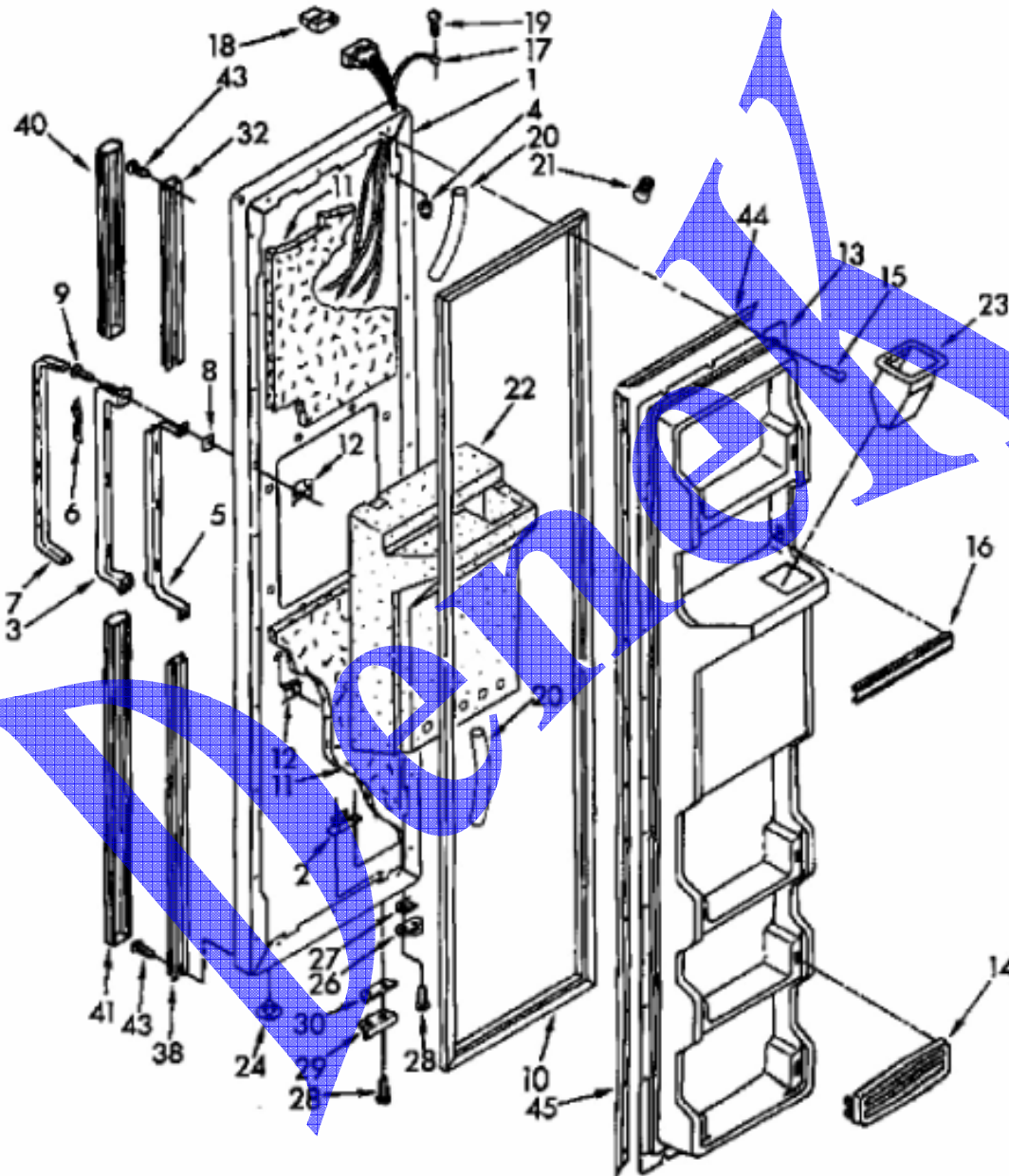
W.P. REF. MODEL. RS25AWXXL00

PUERTA DE ENFRIADOR

NUMERO	N.DE PARTE	DESCRIPCION
1	2147497	REFRIGERATOR DOOR (ALSO ORDER ITEM 39) (WHITE)
1	2147499	REFRIGERATOR DOOR (ALSO ORDER ITEM 39) (ALMOND)
2	1124512	TRIM, DOOR SHELF
3	1124511	DOOR, COMPARTMENT
4	1116707	SHELF, COMPARTMENT
6	1124513	TRIM, DOOR SHELF
7	1127470	EXTENSION (TOP)
8	1127307	DOOR, GASKET MAGNETIC
9	509929	CAP, HINGE SLEEVE
10	1127464	HANDLE
12	1127465	REINFORCEMENT, HANDLE
13	849445	CLIP, HANDLE
14	876029	FOAM INSULATION (REQUIRED WHEN REPLACING EXTERIOR DOOR PANEL)
15	2147097	SHIM, HANDLE
16	1127480	EXTENSION, MIDDLE
17	1129238	PANEL, INTERIOR
18	939101	SCREW ANCHOR
19	489101	SCREW
20	1115905	DOOR CLOSER UPPER CAM
21	1104787	SHIM, DOOR CLOSER
22	488938	SCREW
23	1115906	BRACKET, DOOR STOP
24	988421	SHIM
26	988402	TAP PLATE
27	489084	SCREW
28	2147581	INSERT, HANDLE
29	2147895	RETAINER (TOP)
30	2147896	RETAINER (BOTTOM)
31	1127473	EXTENSION (BOTTOM)
32	534927	HOLE PLUG
33	2147897	RETAINER, MIDDLE
34	1124514	TRIM, SHELF
35	1118301	GASKET RETAINER TOP & BOTTOM
36	1118302	GASKET RETAINER
37	489242	SCREW
37	4211287	PANEL KIT. SEE KIT 4211287 FOR INDIVIDUAL PARTS

W.P. REF. MODEL. RS25AWXXL00

PUERTA DE CONGELADOR



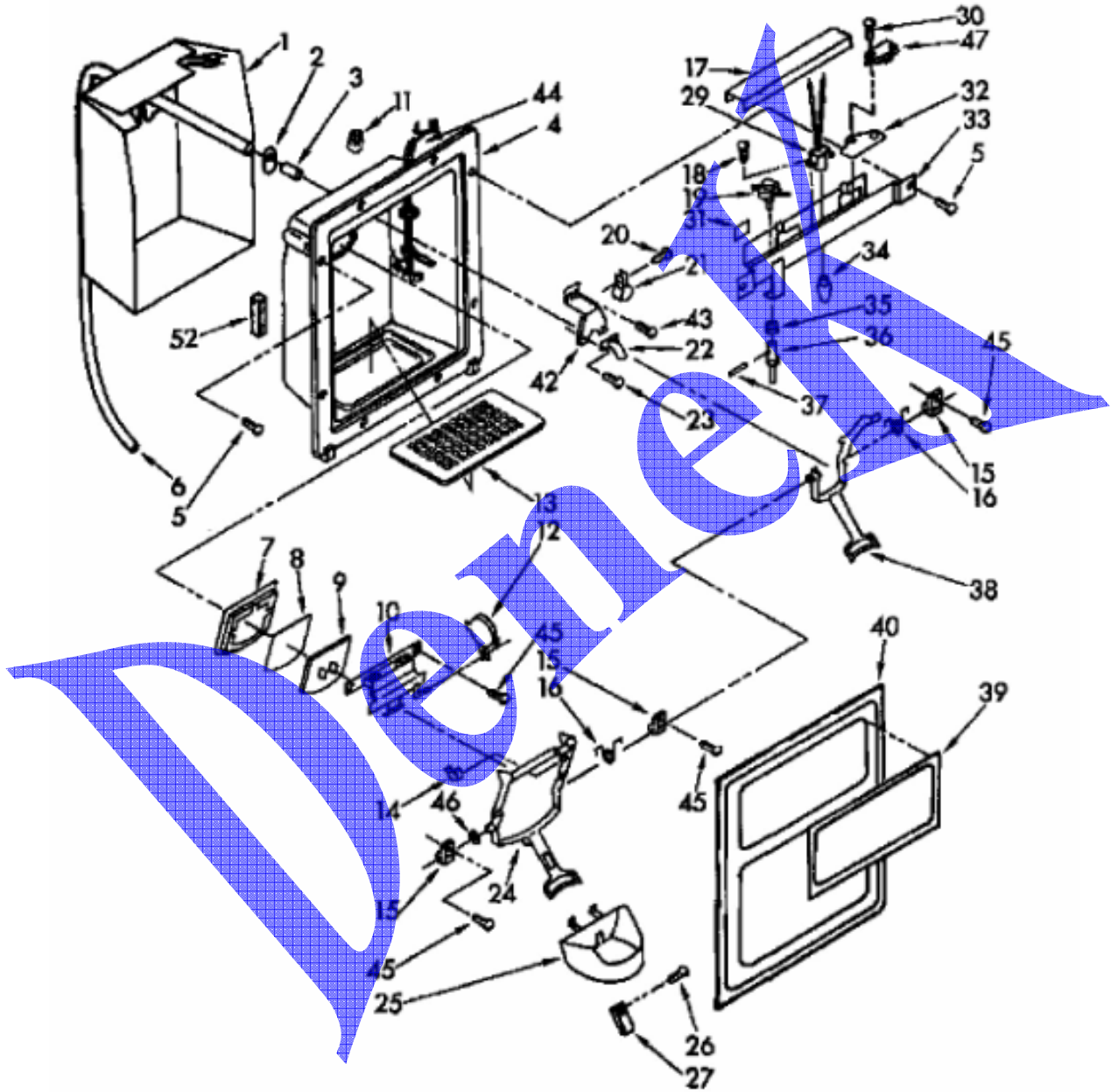
W.P. REF. MODEL. RS25AWXXL00

PUERTA DE CONGELADOR

NUMERO	N.DE PARTE	DESCRIPCION
1	2147504	FREEZER, DOOR PANEL (WHITE)
1	2147506	FREEZER, DOOR PANEL (ALMOND (ALSO ORDER ITEM 11))
2	988402	TAP PLATE
3	1127464	HANDLE
4	939886	SEAL, HINGE PIN
5	1127465	REINFORCEMENT, HANDLE
6	849445	CLIP, HANDLE (3)
7	2147581	INSERT, HANDLE
8	2147097	SHIM, HANDLE (2)
9	489084	SCREW, 8 X 1/2
10	1127308	DOOR GASKET, MAGNETIC
11	876029	FOAM INSULATION (REQUIRED WHEN REPLACING EXTERIOR DOOR PANEL)
12	939101	SCREW ANCHOR (4)
13	1129231	PANEL, INTERIOR DOOR
14	1124525	TRIM, DOOR SHELF
15	489101	SCREW, 7 X 1/2 (28)
16	1124524	TRIM, DOOR SHELF
17	1119212	HARNES, DOOR (INCLUDES ILLUSTRATION 18)
18	936183	CONNECTOR, PLUG
19	488889	SCREW, 8-32 X 5/32
20	2147080	TUBE, DOOR WIRING
21	227991	WIRE CONNECTOR
22	1115345	INSULATION, DISPENSER
23	987188	CHUTE, ICE
24	534927	HOLE PLUG (WHITE)
24	989197	HOLE PLUG (ALMOND)
26	1115905	DOOR CLOSER, UPPER CAM
27	1104787	SHIM, DOOR CLOSER
28	488938	SCREW, 8 X 1/2
29	1115906	BRACKET, DOOR STOP
30	988421	SHIM
32	2147895	RETAINER (TOP)
38	2147896	RETAINER (BOTTOM)
40	1127470	EXTENSION (TOP)
41	1127473	EXTENSION (BOTTOM)
43	489242	SCREW
44	1118306	RETAINER, GASKET
45	1118302	RETAINER, GASKET

W.P. REF. MODEL. RS25AWXXL00

DESPACHADOR



W.P. REF. MODEL. RS25AWXXL00

DESPACHADOR

NUMERO	N.DE PARTE	DESCRIPCION
1	2149097	HEATER, DISPENSER
2	987048	GROMMET
3	841707	INSERT, TUBE
4	1107943	HOUSING, DISPENSER
5	488687	SCREW, 8 X 5/8 (10)
6	987053	TUBE, WATER
7	983691	GASKET, DOOR
8	987121	SHIELD, ICE DOOR
9	983690	DOOR, ICE
10	938669	DOOR MECHANISM ASSEMBLY
11	227991	WIRE CONNECTOR
12	1120581	MECHANISM DELAY
13	983900	GRILLE, OVERFLOW
14	987917	CLIP, BEARING (2)
15	983697	BEARING, LEVER (3)
16	983696	SPRING, LEVER
17	984494	SHIELD, WIRING
18	488500	SCREW, 8-32 X 3/8
19	851386	SWITCH, LIGHT
20	488886	SCREW, 8-18 X 1/2
21	488878	CLAMP
22	2150327	FITTING, WATER INLET
23	487916	SCREW, 8 X 3/8 (2)
24	1127421	LEVER, ICE DISPENSER
25	1118269	GUIDE, ICE
26	489197	SCREW
27	1119056	STOP, GLASS
29	987265	SOCKET, LAMP
30	488362	SCREW, 1-40 X 3/4
31	313125	SWITCH
32	984683	INSULATOR, SWITCH (2)
33	1129282	BRACKET, CONTROL
34	851389	BULB, LIGHT
35	983986	SPRING, PLUNGER
36	1116563	PLUNGER
37	983987	PIN, RETAINER
38	1115349	LEVER, WATER DISPENSER
39	2152347	PLAQUE, FRONT COVER
40	2152350	FRONT COVER, HOUSING
42	987049	BRACKET, WATER
43	488316	SCREW, 8-18 X 3/4
44	2149783	WIRING ASSEMBLY, DOOR
45	489000	SCREW, 9-12 X 1/2
46	488307	WASHER
47	841336	SWITCH
52	482672	SEAL

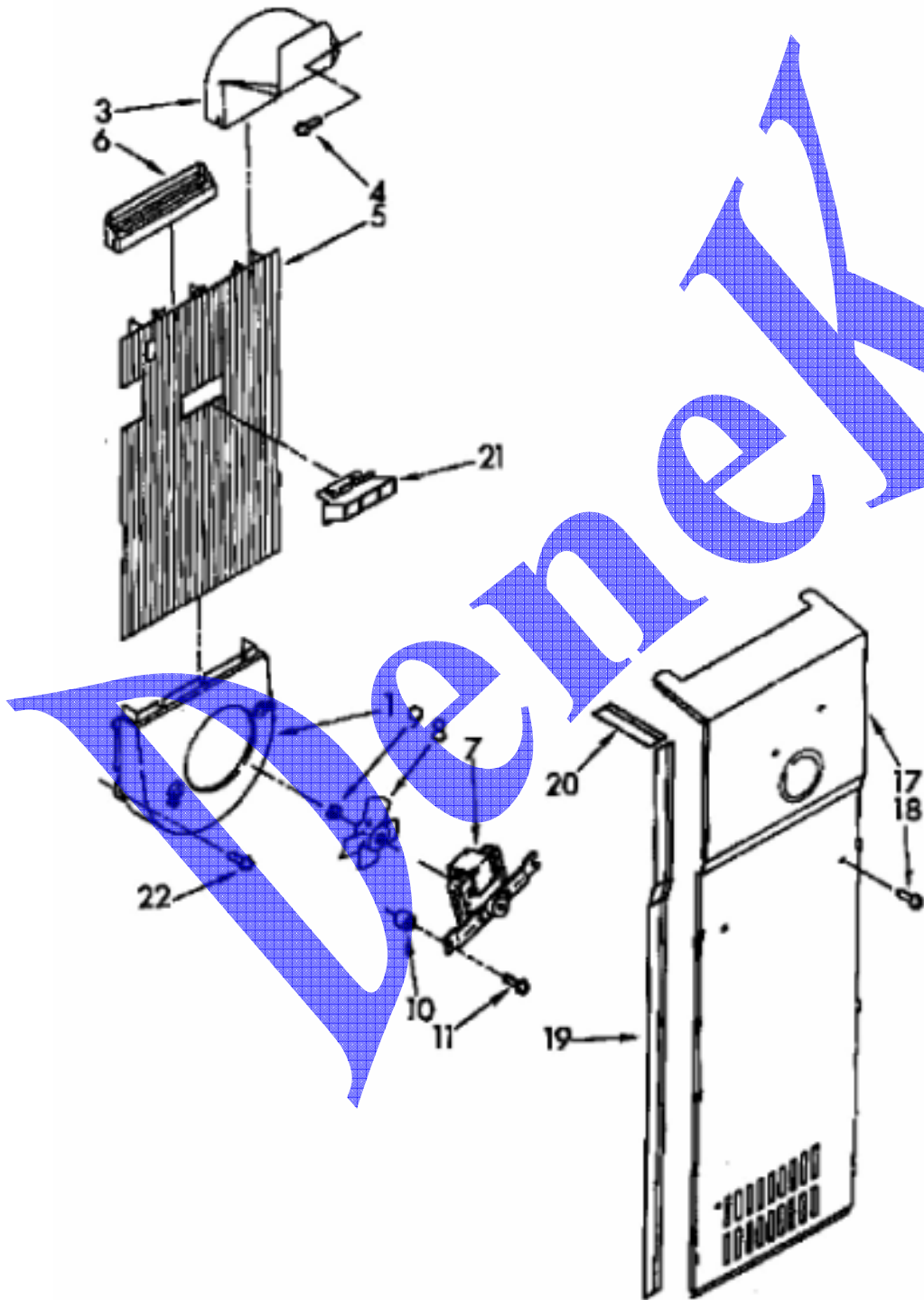
W.P. REF. MODEL. RS25AWXXL00

SERPENTIN

NUMERO	N.DE PARTE	DESCRIPCION
1	486692	SPEED NUT
2	1108179	FAN, BLADE
3	1105640	CONDENSER ASSEMBLY
4	488624	SCREW
5	548745	CLIP, WIRE
6	489019	SCREW, 8-32 X 3/8
7	934011	CLIP, WATER LINE (3)
8	510716	TUBE CLAMP
9	510769	DAMPENER
11	943322	SPRING, RELAY CASE
12	1105055	CASE, RELAY
13	2154408	OVERLOAD
14	943320	OVERLOAD SPRING
15		RELAY (ORDER OVERLOAD TO OBTAIN RELAY KEY NO. 13)
16	1118850	HOUSING PLUG
17	1114291	RUNNING CAPACITOR
19	509812	SCREW GROMMET
20	548744	CLIP, UNIT COVER (2)
21	489242	SCREW
22	1110668	EVAPORATOR
23	1108431	CLAMP (4)
24	2149963	FAN, MOTOR
25	1110674	TRAY, EVAPORATOR
27	1105550	DRIER
28	482982	COMPRESSOR
29	1127590	CLAMP, DRYER
30	1127934	UNIT MOUNTING FRAME
31	1114662	EXCHANGER, HEAT
32	548695	FAN, MOTOR BRACKET
33	2154543	HEATER, DEFROST
35	2154544	BIMETAL, DEFROST
36	513584	CLAMP
37	489116	SCREW, 1/4-28 X 1
39	1114359	GROMMET (4)
40	489340	SCREW
41	2149128	BAFFLE, AIR
42	488687	SCREW, 8 X 5/8
43	1108143	RELAY
44	483054	OVERLOAD
45	1105015	COVER
46	938384	STRAP
47	482996	CAPACITOR
48	1127906	UNIT MOUNTING RAIL
49	488624	SCREW
50	1110663	GUARD, FAN
51	1114634	SLEEVE
52	851095	STRAP
53	489339	SCREW
54	227991	WIRE CONNECTOR
55	488197	SCREW
56	489142	NUT
57	489143	WASHER
58	1114190	OVERLOAD SPRING
59	983659	SPRING, TUBE FORMING
63	2150347	UNION
63	978025	VALVE, ACCESS (1/4")
63	978026	VALVE, ACCESS (5/16")
63	978027	VALVE, ACCESS (3/8")
63	978028	VALVE, ACCESS (1/2")
63	978029	VALVE, ACCESS (5/8")
63	978030	VALVE, ACCESS (3/4")
63	876764	VALVE, ACCESS (3/16")

W.P. REF. MODEL. RS25AWXXL00

ENTRADA DE AIRE



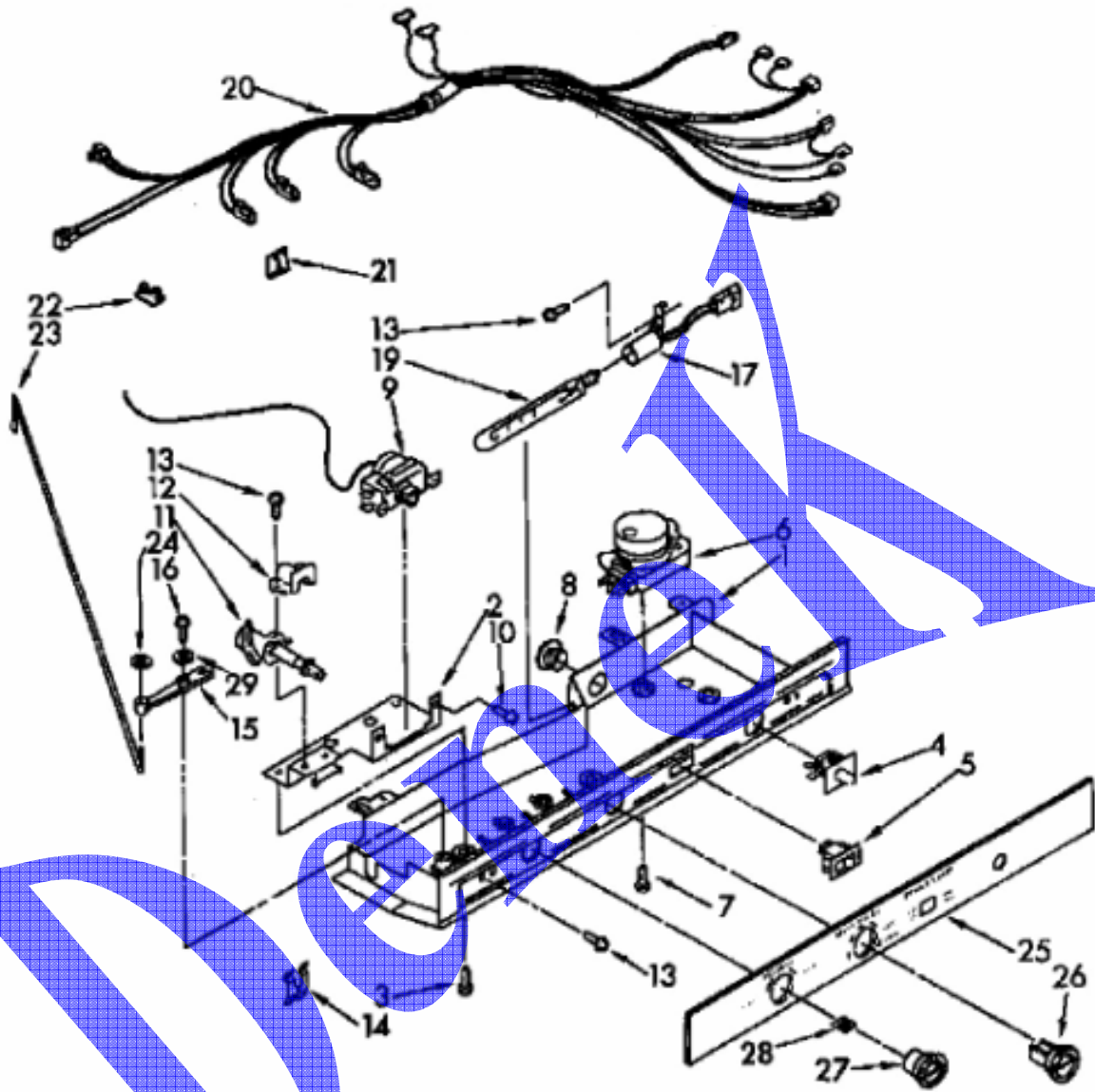
W.P. REF. MODEL. RS25AWXXL00

ENTRADA DE AIRE

NUMERO	N.DE PARTE	DESCRIPCION
1	1127163	FAN SCROLL
3	1110798	AIR SCOOP
4	489176	SCREW
5	1110621	AIR DUCT FREEZER
6	1110666	DIFFUSER AIR DUCT
7	2149964	FAN MOTOR
8	992920	BLADE, FAN
9	992953	RING, COMPRESSION
10	1114354	FAN GROMMET
11	489168	SCREW (2) HARNESS
17	1127167	COVER, EVAPORATOR
18	489196	SCREW (6)
19	1110675	GASKET, EVAPORATOR COVER (2)
20	1110676	GASKET, EVAPORATOR COVER TOP
21	1115381	DUCT, ICEMAKER
22	489242	SCREW

W.P. REF. MODEL. RS25AWXXL00

CONTROLES



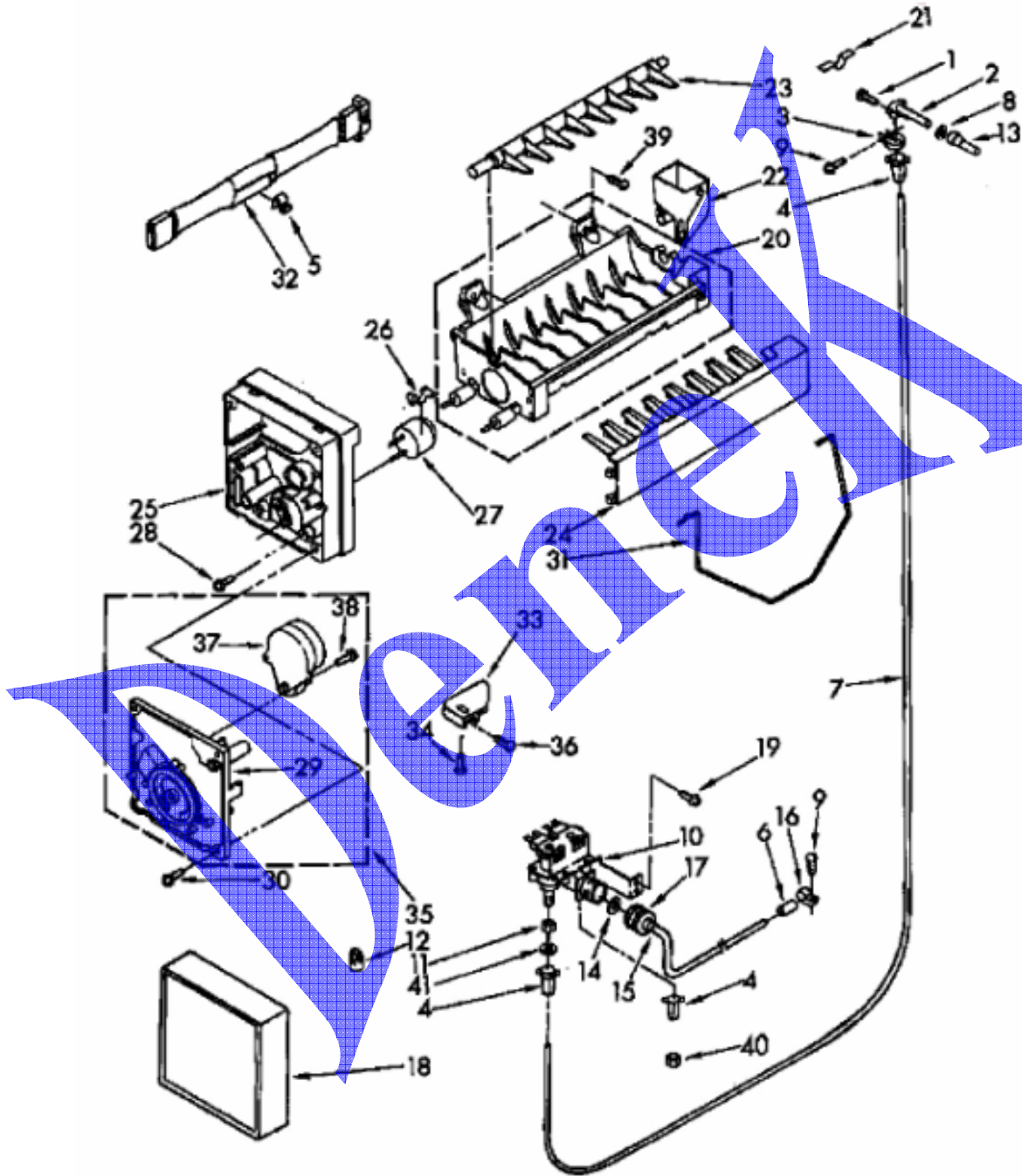
W.P. REF. MODEL. RS25AWXXL00

CONTROLES

NUMERO	N.DE PARTE	DESCRIPCION
1	1129413	CONTROL BOX
2	1110629	MOUNTING BRACKET
3	489190	SCREW (2)
4	1123922	LIGHT SWITCH
5	1106601	SWITCH, LIGHT POWER MISER
6	1127570	DEFROST TIMER (10 HR.)
7	489192	SCREW (2)
8	940014	HOLE PLUG
9	1115244	THERMOSTAT ASSEMBLY
10	487869	SCREW, 8 X 3/8
11	1110566	CAM ASSEMBLY
12	1110560	BEARING BODY
13	489242	SCREW
14	938439	RETAINER, DAMPER
15	1110559	PIVOT ARM
16	627068	SCREW
17	1110690	LIGHT SOCKET
19	548049	LIGHT BULB
20	2149756	CONTROL BOX HARNESS
21	1115374	CLIP, WIRING
22	1115375	CLIP, WIRING
23	1123960	CONNECTING ROD
24	489285	FASTENER, PUSH-ON
25	1123999	ESCUTCHEON, CONTROL BOX
26	1110554	KNOB, THERMOSTAT
27	1110562	KNOB, AIR CONTROL
28	837444	KNOB, RETAINER
29	489203	SPRING WASHER

W.P. REF. MODEL. RS25AWXXL00

ICE MAKER



W.P. REF. MODEL. RS25AWXXL00

ICE MAKER

NUMERO	N.DE PARTE	DESCRIPCION
1	489084	SCREW, 8 X 1/2
2	836489	FITTING, WATER TUBE
3	488878	CLAMP, TUBE
4	841707	INSERT, TUBE
5	628288	CLIP, FUSE
6	836074	DAMPENER
7	653415	TUBE, WATER
8	1106508	SEAL, GASKET
9	489242	SCREW
10	628275	VALVE, SOLENOID
11	627018	NUT, COMPRESSION
12	227991	CONNECTOR, WIRE
13	1114644	TUBE, WATER INLET
14	488292	WASHER
15	627860	TUBE, INLET VALVE
16	510716	CLAMP, TUBE
17	537588	NUT, VALVE
18	628355	COVER
19	488649	SCREW, 8-32 X 1/2
20	628228	MOLD & HEATER ASSEMBLY
21	652604	CLIP
22	627791	BEARING & INLET
23	627843	EJECTOR
24	627788	ICE STRIPER
25	627790	SUPPORT
26	627796	RETAINER, THERMOSTAT
27	627985	THERMOSTAT
28	489322	SCREW
29	628332	MODULE ASSEMBLY
30	628187	SCREW
31	628187	SHUT OFF ARM
32	628256	HARNES, WIRING
33	628229	BRACKET
34	489365	SCREW, 8-32 X 27/64
35	483105	MODULE ASSEMBLY
36	486214	SCREW, 8-15 X 1/2
37	628342	MOTOR
38	489136	SCREW, 3-24 X 23/64
39	488208	SCREW (2)
40	488795	NUT, COMPRESSION
41	488819	O O RING
100	4211173	COMPLETE ICEMAKER ASSEMBLY
42	350942	XPRIMER, WHITE (13 OZ. SPRAY CAN)
43	350941	XLEVELER, ENAMEL (13 OZ. SPRAY CAN)
44	350939	XENAMEL, BLACK (13 OZ. SPRAY CAN)
45	350930	XENAMEL, WHITE (13 OZ. SPRAY CAN)
46	350956	XENAMEL, ALMOND (13 OZ. SPRAY CAN)
100	72017	BRUSH TOUCH-UP KIT (WHITE)
100	72107	BRUSH TOUCH-UP KIT (ALMOND)
100	70203	BRUSH TOUCH-UP KIT (BLACK)
100	799340	ENAMEL, BLACK (1 QT. UNCUT)
100	799344	ENAMEL, WHITE (1 QT. UNCUT)
100	978883	ENAMEL, ALMOND (1 QT. UNCUT)
100	212643	SEALER, GUM (4 FEET)
100	479502	TAPE, VINYL (3/4 X 108")
100	876370	KIT, INSULATION (2 PCS. X 3" X 24" X 48")
100	876305	KIT, INSULATION (14 PCS. X 3" X 24" X 48")
100	978941	INSULATION, FIBERGLASS (63-1/2" X 35 1/2" X 2-5/8)
100	876029	KIT, FOAM SLAB (30" X 32-1/2" X 1-1/2")
100	505587	SEALER, MASTIC (1 QT.)
100	503695	CORK, SEALER (1/4 POUND)
100	511873	PAINT, TOUCH-UP 1/2 OZ. (WHITE PORCELAIN)
100	542638	GREASE, SILICONE (1/2 OZ.)
100	542639	CEMENT, ALUMILASTIC (1-1/4 OZ.)
100	606755	BAG, INSULATION (36-5/8" X 46)
100	799833	KIT, EVAPORATOR REPAIR (ALUMINUM EPOXY)
100	833938	KIT, TERMINAL CONNECTOR
100	515393	TRANSFORMER (115-230 VOLT)
73	1117510	TORX KEY