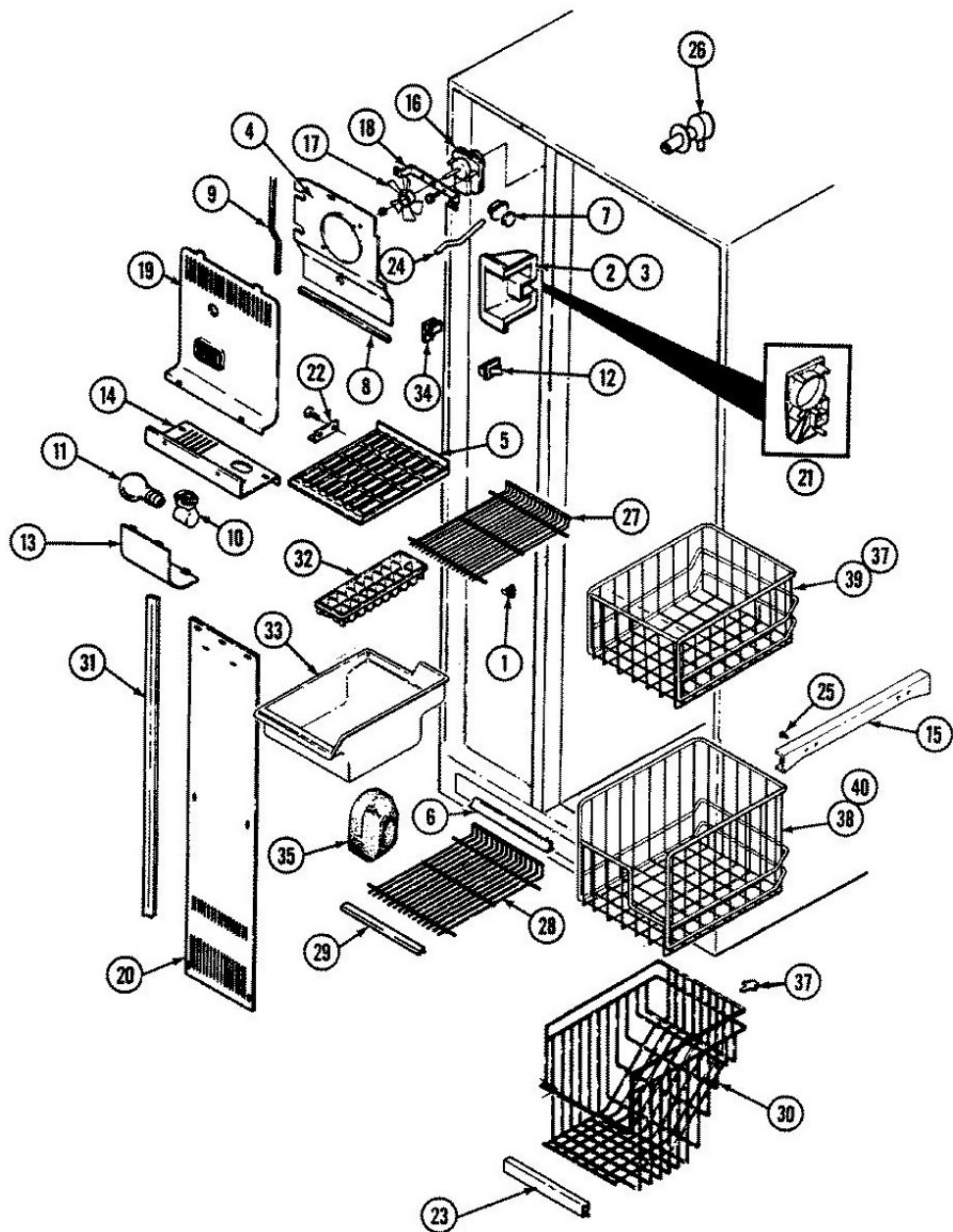


Distribuidor Autorizado

SurteRápido.com

Venta de Refacciones
Electrodomesticas

Refrigerador Maytag RSD2200CAL



Distribuidor Autorizado

SurteRápido.com

Venta de Refacciones
Electrodomesticas

Refrigerador Maytag RSD2200CAL

No. Ilus.	DESCRIPCIÓN	No. de Parte
NI	SCREW, ANCHOR	60319-4
1	CUP, SHELF	67466-1
2	SHIELD, AIR DIRECTIONAL	67353-1
3	SEAL	52077-10
4	SCREW	400015-12
4	COVER, COIL (UPPER)	67297-5
5	SHELF	67114-6
6	TRIM, SHELF REAR	67177-8
7	CAP, CONNECTOR	68187-1
8	SEAL	68946-4
9	SEAL (44``)	66325-21
10	RECEPTACLE, BULB	68974-3
11	BULB, LIGHT	31956-1
12	SWITCH, LIGHT	66987-1
13	SHIELD, LIGHT	67292-1
14	SUPPORT, LIGHT SHIELD	67344-3
15	GLIDE, BASKET	69519-1
16	MOTOR, FAN EVAPORATOR	69298-1
17	BLADE, EVAPORATOR FAN	52120-4
18	BRACKET, FAN MOTOR	64856-1
19	SHIELD, FAN	67225-1
20	COVER, COIL LOWER	67335-2
21	ORIFICE, FRZ. CONTROL (OUTLET)	67352-1
22	BRACKET, MOUNTING	67288-1
23	TRIM, FRZ SHELF FRONT	67176-53
24	TUBE, FILL	67676-1
25	SCREW	400022-1

Distribuidor Autorizado

SurteRápido.com

Venta de Refacciones
Electrodomesticas

Refrigerador Maytag RSD2200CAL

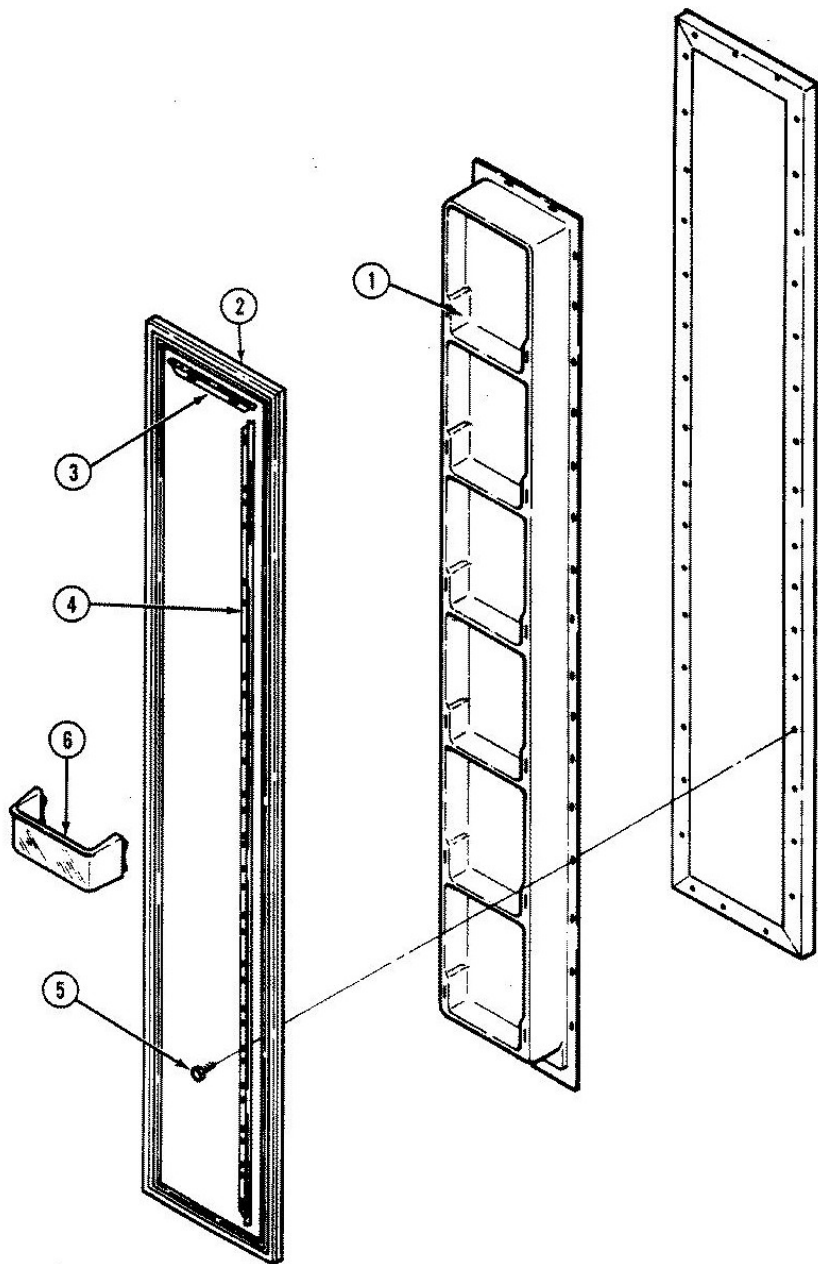
No. Ilus.	DESCRIPCIÓN	No. de Parte
26	GROMMET	69219-1
27	SHELF, FRZ.	67178-9
28	SHELF, FRZ. (No.2,3,4,5)	67178-7
29	TRIM, FRZ SHELF FRONT	67176-56
30	BASKET, FRZ WIRE	69350-1
31	SEAL COVER (SIDE)	69314-1
32	TRAY, ICE	59281-5
33	PAN, ICE	69919-1
34	SUPPORT ICE SHELF	67143-1
35	INSULATION, AIR RETURN	67837-1
37	TRIM, FRZ SHELF FRONT	67176-50
38	BASKET, PIZZA	69349-1
39	BASKET, FRZ WIRE	69348-1
40	TRIM, FRZ SHELF FRONT	67176-52

Distribuidor Autorizado

SurteRápido.com

Venta de Refacciones
Electrodomesticas

Refrigerador Maytag RSD2200CAL



Distribuidor Autorizado



Venta de Refacciones
Electrodomesticas

Refrigerador Maytag RSD2200CAL

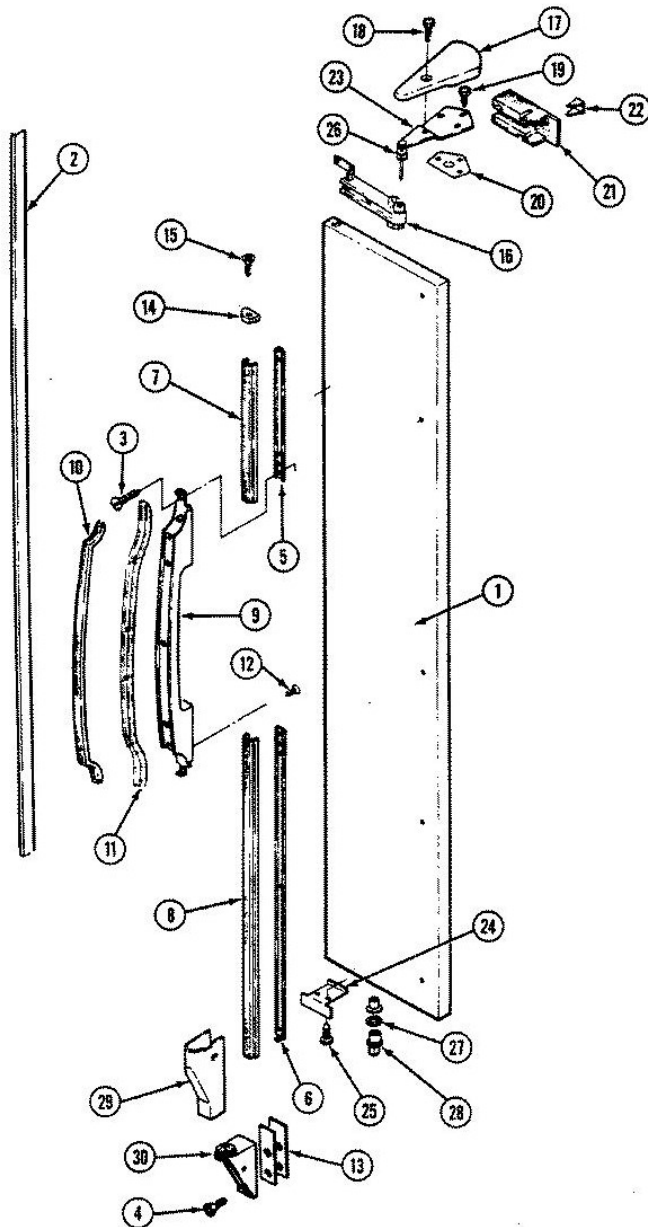
<u>No. Ilus.</u>	<u>DESCRIPCIÓN</u>	<u>No. de Parte</u>
1	LINER, FRZ. DOOR	69245-1
2	GASKET	70024-1
3	RETAINER, GASKET	69992-5
4	RETAINER, GASKET	69992-1
5	SCREW	65275-5
6	FRONT ASSY, PICKOFF	69870-5

Distribuidor Autorizado

SurteRápido.com

Venta de Refacciones
Electrodomesticas

Refrigerador Maytag RSD2200CAL



Distribuidor Autorizado

SurteRápido.com

Venta de Refacciones
Electrodomesticas

Refrigerador Maytag RSD2200CAL

No. Ilus.	DESCRIPCIÓN	No. de Parte
1	PANEL, FRZ. DOOR (ALM)	72341-100-AM
2	TRIM, DOOR	69265-4
3	SCREW	65275-65
4	SCREW, LOWER HINGE	65275-51
5	SHIM, TRIM LOCK (UPR)	67926-1
6	SHIM, TRIM LOCK (LWR)	67926-2
7	TRIM, EXTENSION (UPR - ALM)	67932-12
8	TRIM, EXTENSION (LWR - ALM)	67932-13
9	HANDLE	67922-1
10	INSERT, HANDLE (ALM)	67924-3
11	FRAME, HANDLE	67920-1
12	SCREW	65275-44
13	SCREW	65275-59
13	TAPPING PLATE, LOWER HINGE	67874-1
13	SHIM, LOWER HINGE	69510-1
14	ENDCAP, HANDLE	67928-2
15	SCREW	414004-35
16	CLOSER, DOOR	69258-1
17	COVER, UPPER HINGE (ALM)	69518-3
18	SCREW	408062-1
19	SCREW	65275-52
20	SHIM, UPPER HINGE	65031-1
21	INSULATION, CLOSER	52613-1
21	INSULATION DOOR	70049-1
22	BRACKET, CLOSER	69261-1
23	HINGE, UPPER	53709-22
24	STOP, DOOR	69256-2

Distribuidor Autorizado

SurteRápido.com

Venta de Refacciones
Electrodomesticas

Refrigerador Maytag RSD2200CAL

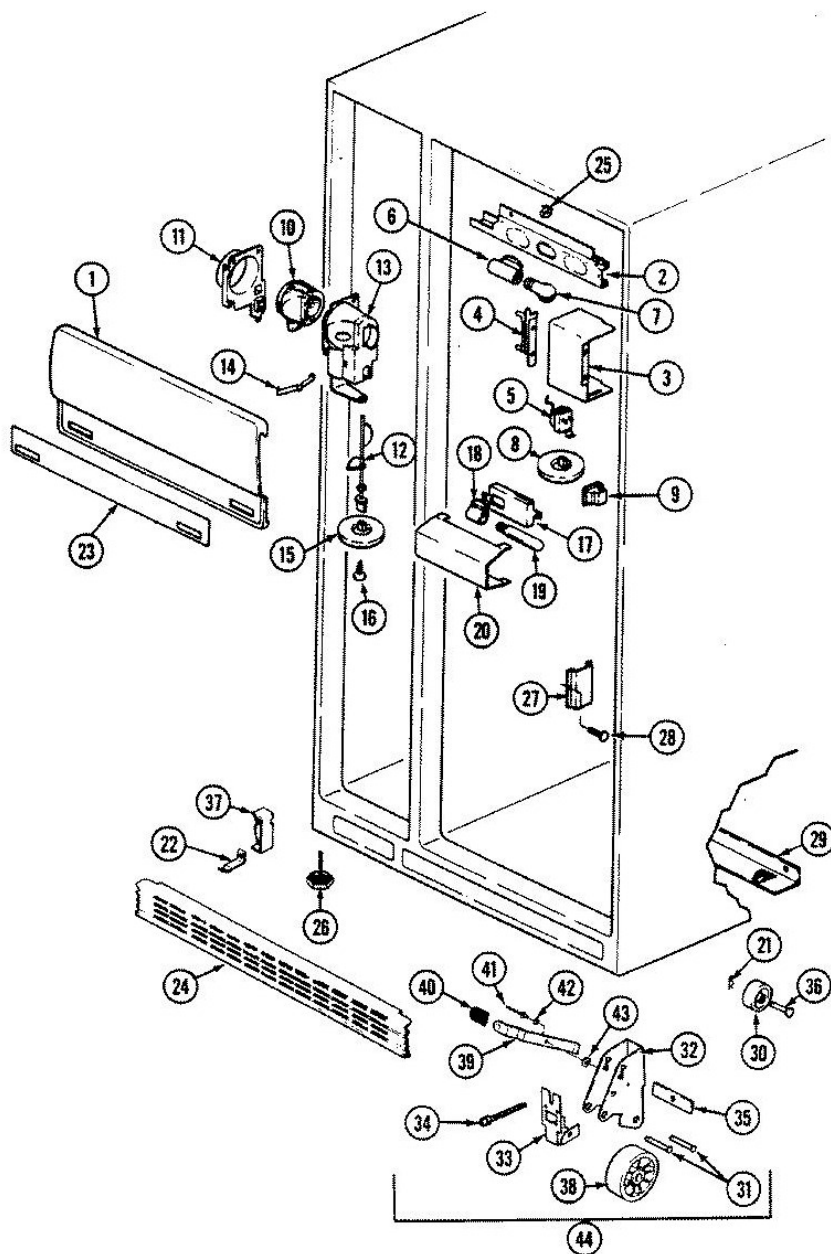
No. Ilus.	DESCRIPCIÓN	No. de Parte
25	SCREW	65275-48
26	WASHER	52185-1
27	WASHER, LOWER HINGE	67483-2
28	PIN, LOWER HINGE	69845-1
29	COVER, LOWER HINGE (ALM)	68978-3
30	HINGE, LOWER (ZINC)	69516-4

Distribuidor Autorizado

SurteRápido.com

Venta de Refacciones
Electrodomesticas

Refrigerador Maytag RSD2200CAL



Distribuidor Autorizado

SurteRápido.com

Venta de Refacciones
Electrodomesticas

Refrigerador Maytag RSD2200CAL

No. Ilus.	DESCRIPCIÓN	No. de Parte
1	SHIELD, LIGHT	67113-4
2	SCREW	400017-1
2	HOUSING, LIGHT SOCKET & WIRES	67751-2
3	SCREW	400017-1
3	HOUSING, TEMPERATURE CONTROL	67126-1
4	SUPPORT, LIGHT SHIELD	67125-1
5	SCREW	401024-1
5	CONTROL, TEMPERATURE	69694-3
6	SOCKET, LIGHT	29813-1
7	BULB, LIGHT	31956-1
8	KNOB, CONTROL	67145-5
9	SWITCH, LIGHT	66987-1
10	INSULATION, HOUSING	58767-1
11	ORIFICE, FRZ. CONTROL (INLET)	67351-1
12	BAFFLE	68610-1
13	HOUSING, FRZ. CONTROL	67354-1
14	SPRING, BAFFLE	52648-1
15	KNOB, CONTROL	67145-6
16	SCREW	400001-1
17	SCREW	400017-1
17	BASE, LIGHT (MEAT)	67243-1
18	RECEPTACLE, LIGHT	29814-2
19	BULB, LIGHT	20174-6
20	SHIELD, LIGHT	67242-1
21	CLIP, RETAINING WHEEL (REAR)	62581-1
22	SCREW	400017-1
22	CLIP, KICKPLATE	67259-1

Distribuidor Autorizado

SurteRápido.com

Venta de Refacciones
Electrodomesticas

Refrigerador Maytag RSD2200CAL

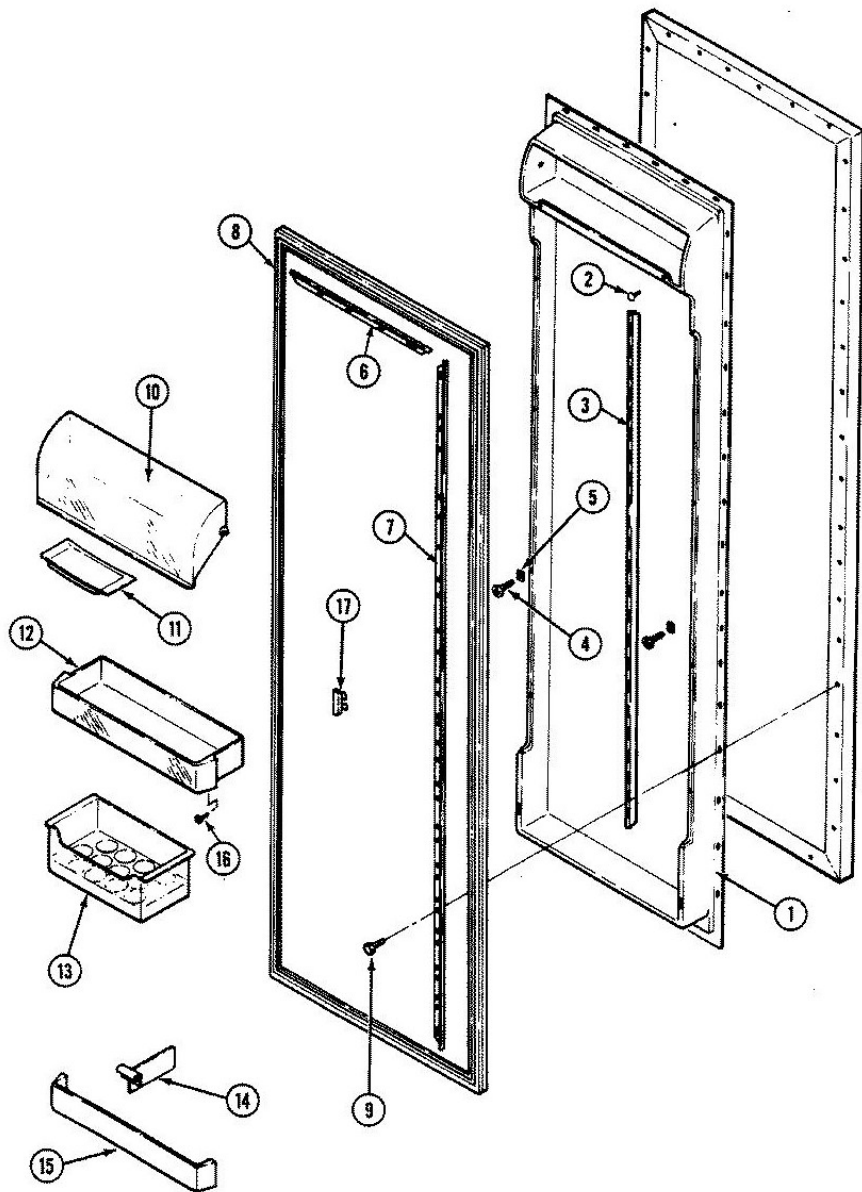
No. Ilus.	DESCRIPCIÓN	No. de Parte
23	INSERT, LIGHT SHIELD	67476-8
24	GRILL, KICKPLATE	67023-13
25	CLIP	55042-2
26	LEG, LEVELING	68664-1
27	AIR DEFLECTOR	62128-1
28	RIVET, AIR TUNNEL	28013-2
29	SCREW	65275-42
29	SUPPORT RAIL REAR	67255-2
30	WHEEL	69812-1
31	PIN, WHEEL	64965-1
32	SCREW	65275-1
32	BRACKET, WHEEL	67806-1
33	FACEPLATE, BRACKET	67280-1
34	SCREW, WHEEL ADJUSTMENT	56487-5
35	TAPPING PLATE, WHEEL	59101-1
36	PIN, WHEEL (REAR)	64965-3
37	END CAP, KICKPLATE (RT-ALM)	67854-5
37	END CAP, KICKPLATE (LT-ALM)	67854-6
38	WHEEL	69812-2
39	HANDLE, LOCK LEVER	67528-1
40	LEVER, WHEEL LOCK	67232-1
41	RIVET	26397-2
42	LOCKWASHER	420003-905
43	WASHER	420007-400
44	WHEEL ASSY.(L)	72319-5
44	WHEEL ASSY.(R)	72319-6

Distribuidor Autorizado

SurteRápido.com

Venta de Refacciones
Electrodomesticas

Refrigerador Maytag RSD2200CAL



Distribuidor Autorizado

SurteRápido.com

Venta de Refacciones
Electrodomesticas

Refrigerador Maytag RSD2200CAL

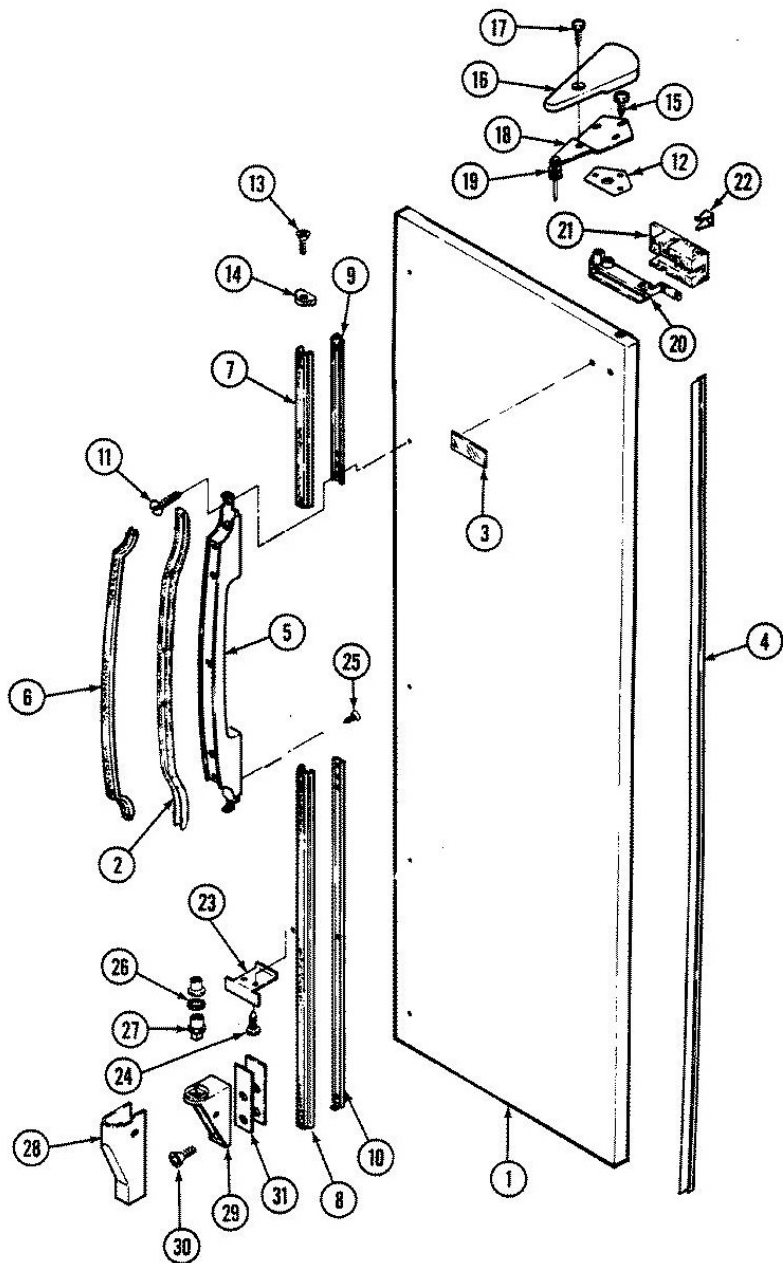
No. Ilus.	DESCRIPCIÓN	No. de Parte
1	LINER, F.F. DOOR	69241-1
2	BUMPER, DOOR	28272-6
3	RAIL, P O DOOR	67316-1
4	SCREW	400027-28
5	GROMMET, PICK-OFF	67144-1
6	RETAINER, GASKET	69992-2
7	RETAINER, GASKET	69992-1
8	GASKET, F.F. DOOR (WHT)	70024-4
9	SCREW	65275-5
10	DOOR, DAIRY	69918-2
11	TRAY, BUTTER	67216-1
12	SHELF, PICK-OFF	69872-4
13	TRAY, EGG	67215-2
14	ORGANIZER, P.O. SHELF	67027-6
15	FRONT, PICK-OFF	69871-5
16	RIVET, P.O. HOOK	59920-8
17	HOOK, P.O. SHELF (LT.-LT.SHF)	67043-5
17	HOOK, P.O. SHELF (RT.-RT.SHF.)	67043-6

Distribuidor Autorizado

SurteRápido.com

Venta de Refacciones
Electrodomesticas

Refrigerador Maytag RSD2200CAL



Distribuidor Autorizado

SurteRápido.com

Venta de Refacciones
Electrodomesticas

Refrigerador Maytag RSD2200CAL

No. Ilus.	DESCRIPCIÓN	No. de Parte
1	PANEL, F.F. DOOR (ALM)	72341-2-AM
2	FRAME,HANDLE	67920-1
3	NAMEPLATE (ALM)	69995-3
4	TRIM, DOOR	69265-4
5	HANDLE	67922-1
6	INSERT, HANDLE (ALM)	67924-3
7	TRIM, EXTENSION (UPR - ALM)	67932-12
8	TRIM, EXTENSION (LWR - ALM)	67932-13
9	SHIM, TRIM LOCK (UPR)	67926-1
10	SHIM, TRIM LOCK (LWR)	67926-2
11	SCREW	65275-65
12	SHIM, UPPER HINGE	65031-1
13	SCREW	414004-35
14	ENDCAP, HANDLE	67928-2
15	SCREW	65275-52
16	COVER, UPPER HINGE (ALM)	69518-3
17	SCREW	408062-1
18	HINGE, UPPER	53709-22
19	WASHER	52185-1
20	CLOSER, DOOR	69258-1
21	INSULATION, CLOSER	52613-1
21	INSULATION DOOR	70049-1
22	BRACKET, CLOSER	69261-1
23	STOP, DOOR	69256-2
24	SCREW	65275-48
25	SCREW	65275-44
26	WASHER, LOWER HINGE	67483-2

Distribuidor Autorizado

SurteRápido.com

Venta de Refacciones
Electrodomesticas

Refrigerador Maytag RSD2200CAL

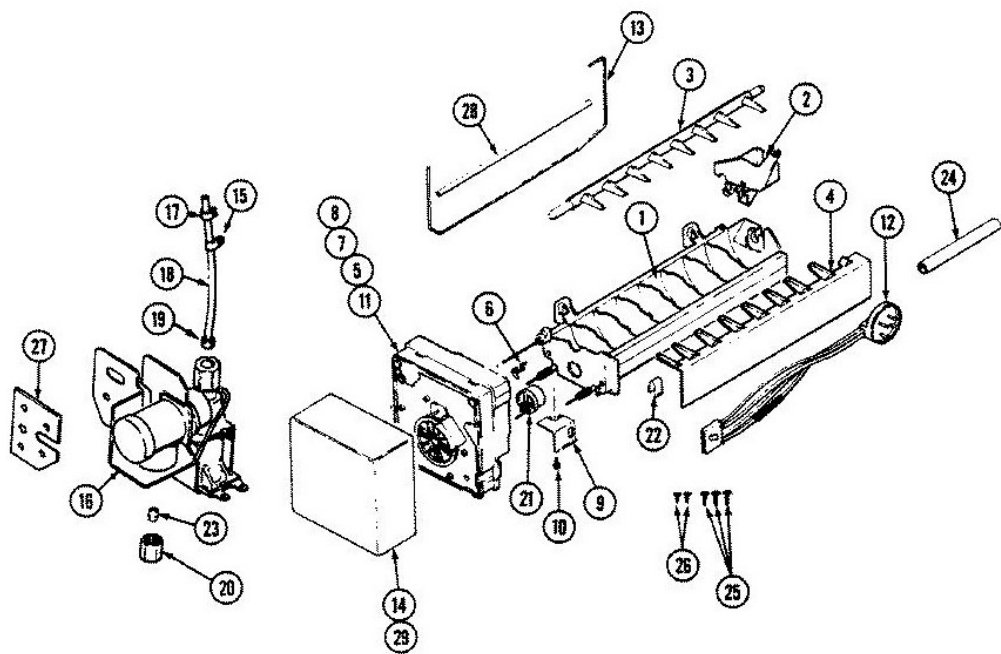
<u>No. Ilus.</u>	<u>DESCRIPCIÓN</u>	<u>No. de Parte</u>
27	PIN, LOWER HINGE	69845-1
28	COVER, LOWER HINGE (ALM)	68978-3
29	HINGE, LOWER (ZINC)	69516-4
30	SCREW, LOWER HINGE	65275-51
31	SCREW	65275-59
31	TAPPING PLATE, LOWER HINGE	67874-1
31	SHIM, LOWER HINGE	69510-1

Distribuidor Autorizado

SurteRápido.com

Venta de Refacciones
Electrodomesticas

Refrigerador Maytag RSD2200CAL



Distribuidor Autorizado

SurteRápido.com

Venta de Refacciones
Electrodomesticas

Refrigerador Maytag RSD2200CAL

No. Ilus.	DESCRIPCIÓN	No. de Parte
NI	SCREW	400021-1
NI	DUCT, AIR (15` & 17` MODELS)	67061-1
NI	DUCT, AIR (19` & 21` MODELS)	67061-2
NI	DUCT, AIR	67061-3
1	MOLD & HEATER ASSY.	95098-1
1	GREASE, SILICONE	95099-1
2	INLET, WATER	95100-1
3	EJECTOR, ICE	95101-1
4	STRIPPER, ICE	95102-1
5	SUPPORT, MODULE HOUSING	95103-1
6	RETAINER, THERMOSTAT	95104-1
7	SCREW	95105-1
8	SCREW	95106-1
9	BRACKET, MODULE & HEATER	95107-1
10	SCREW, BRACKET	95108-1
11	MODULE, ICE MAKER	95109-1
12	WIRE HARNESS, ICE MAKER	67672-1
13	ARM, SENSOR	68112-1
14	COVER ICE MAKER	68113-1
15	CLAMP, FEEDER TUBE	23197-8
15	SCREW	400016-1
16	VALVE, WATER	69364-1
17	CLAMP, SPRING	60333-4
18	TUBING, VALVE TO GROMMET	67579-6
19	NUT, COMPRESSION (1/4``)	55419-1
20	NUT, BRASS (1/4``)	69432-1
21	THERMOSTAT	95092-1

Distribuidor Autorizado



Venta de Refacciones
Electrodomesticas

Refrigerador Maytag RSD2200CAL

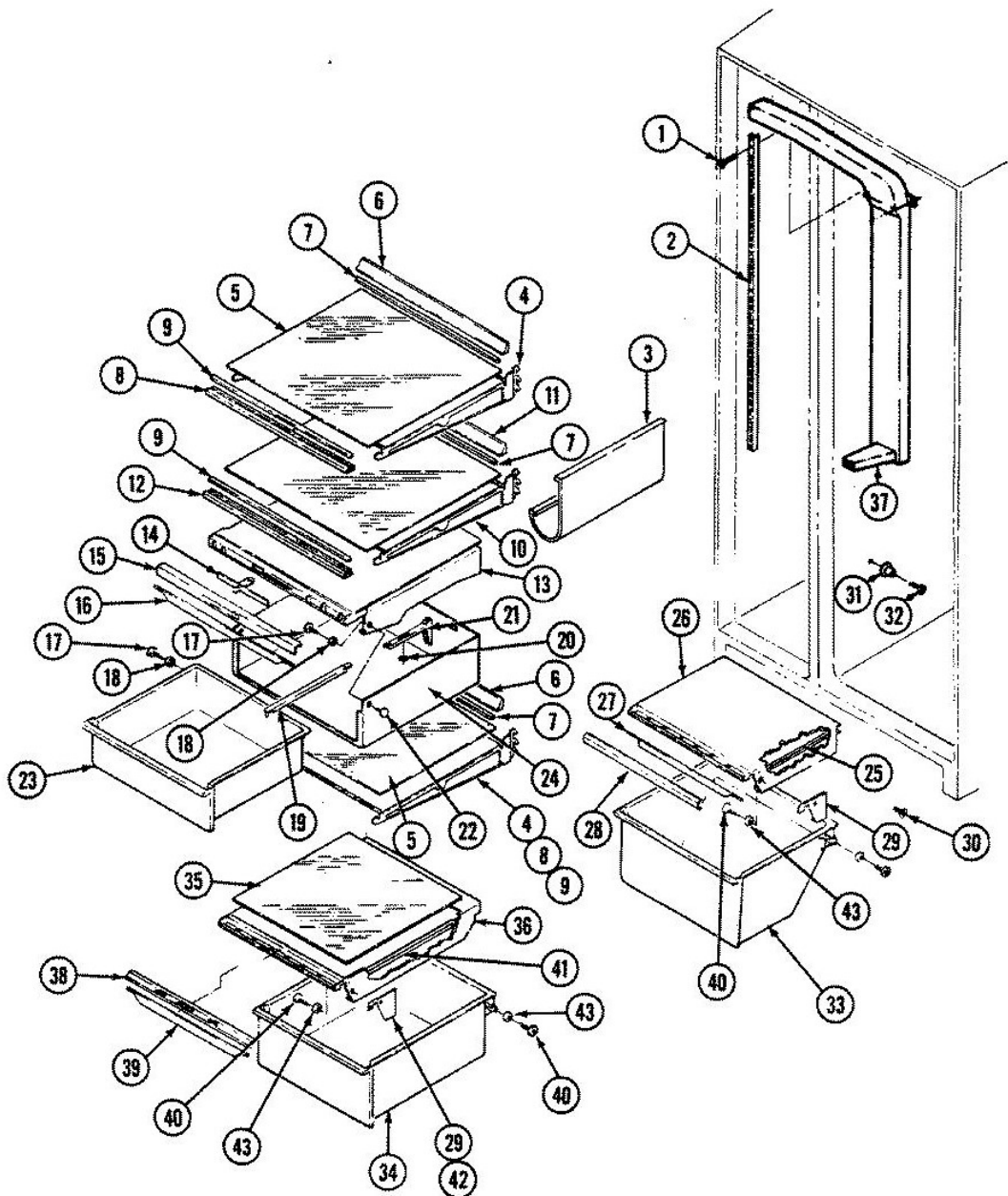
<u>No. Ilus.</u>	<u>DESCRIPCIÓN</u>	<u>No. de Parte</u>
21	CEMENT, ALUMILASTIC (4 OZ.)	95093-1
22	CLAMP, WIRE HARNESS	68118-1
23	SLEEVE, BRASS	69431-1
24	TUBE, FILL	67666-3
25	SCREW	400021-1
26	SCREW	401017-1
27	SCREW	406026-103
27	BRACKET, WATER VALVE	69363-1
28	SLEEVE, SENSOR ARM	67556-1
29	TRIM, ICE MAKER COVER	67428-1

Distribuidor Autorizado

SurteRápido.com

Venta de Refacciones
Electrodomesticas

Refrigerador Maytag RSD2200CAL



Distribuidor Autorizado

SurteRápido.com

Venta de Refacciones
Electrodomesticas

Refrigerador Maytag RSD2200CAL

No. Ilus.	DESCRIPCIÓN	No. de Parte
1	SCREW	400037-28
2	RAIL, SHELF SUPPORT	67311-1
3	HOLDER, WINE BOTTLE	67308-5
4	FRAME, SHELF	67273-2
5	SHELF, CANT GLASS	67267-12
6	TRIM, SHELF	67309-40
7	SHELF SEAL	67266-5
8	TRIM, CANT SHELF FRONT	67783-27
9	GASKET, SHELF FRONT	67265-5
10	FRAME, MEAT SHELF	67274-2
11	TRIM, MEAT SHELF	67309-41
12	TRIM, CANT SHELF FRONT	67783-28
13	SUPPORT, MEAT PAN	67649-11
14	SLIDE, CONTROL	67491-2
15	TRIM, MEAT PAN SUPPORT	67071-8
16	SEAL, MEAT PAN	67677-2
17	SCREW	65275-6
18	ROLLER, CRISPER PAN	67423-1
19	LINKAGE, MEAT PAN	67073-4
20	NUT	431019-511
21	ACTUATOR	67072-10
22	PLUG BUTTON	67688-3
23	PAN, MEAT	69928-3
24	HOUSING, MEAT PAN	67069-10
25	SEAL	69779-1
26	SHELF, CRISPER (LOWER)	67892-6
27	SEAL, CRISPER PAN	69798-7

Distribuidor Autorizado

SurteRápido.com

Venta de Refacciones
Electrodomesticas

Refrigerador Maytag RSD2200CAL

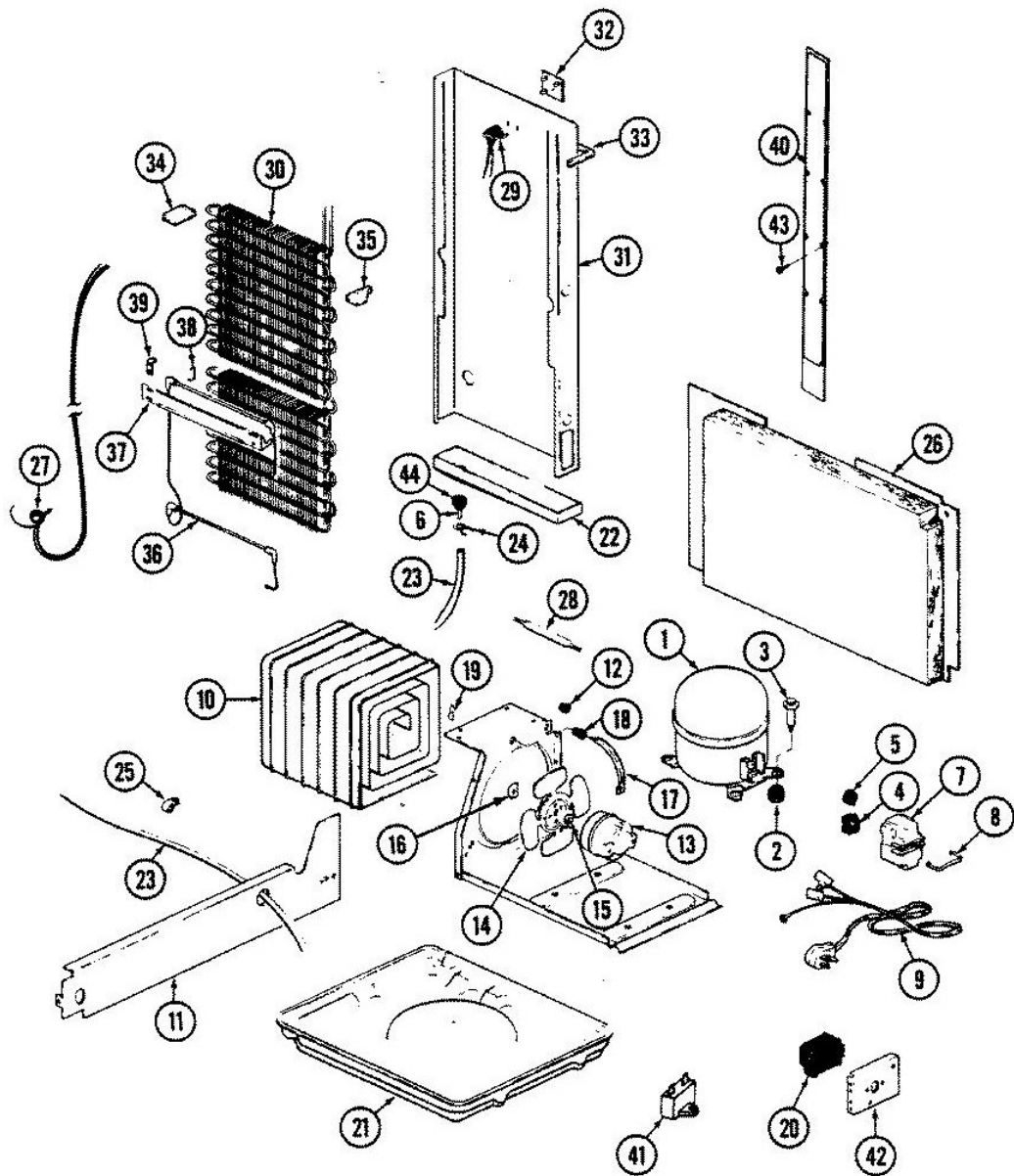
No. Ilus.	DESCRIPCIÓN	No. de Parte
28	TRIM, CRISPER SHELF	67204-14
29	SUPPORT, CRISPER SHELF (LT)	67895-1
29	SUPPORT, CRISPER SHELF (RT)	67895-2
30	SCREW	65275-28
31	SUPPORT, CRISPER SHELF	67764-1
32	SCREW	400026-12
33	PAN, CRISPER	69928-8
34	PAN, CRISPER	69928-4
35	GLASS, CRISPER SHELF	67489-10
36	SHELF, CRISPER (UPPER)	67891-4
37	RIVET, AIR TUNNEL	28013-2
37	TUNNEL, AIR	67526-2
38	TRIM	67204-31
39	SEAL, CRISPER PAN	69798-7
40	SCREW	65275-34
41	SEAL, CRISPER	69779-2
42	SCREW	65275-28
43	ROLLER, CRISPER PAN	67423-1

Distribuidor Autorizado

SurteRápido.com

Venta de Refacciones
Electrodomesticas

Refrigerador Maytag RSD2200CAL



Distribuidor Autorizado

SurteRápido.com

Venta de Refacciones
Electrodomesticas

Refrigerador Maytag RSD2200CAL

No. Ilus.	DESCRIPCIÓN	No. de Parte
1	KIT, COMPRESSOR	12000038
1	WIRE HARNESS, COMPRESSOR	69062-1
2	GROMMET, COMPRESSOR	17245-4
3	SCREW, COMPRESSOR MOUNTING	65275-9
4	RELAY, START	66588-5
5	OVERLOAD	69105-8
6	TUBE, DRAIN	26527-11
7	COVER, TERMINAL	66589-2
8	CLIP, TERMINAL COVER	65886-1
9	CORD, POWER	52890-3
10	SCREW	400062-1
10	U-NUT, CONDENSER	60408-2
10	CONDENSER	RA43644-1
11	BAFFLE, AIR DIVIDER	66494-1
11	SCREW	9986-45
12	GROMMET, CONDENSER TUBING	53351-1
13	SCREW	65275-33
13	MOTOR, CONDENSER FAN	67560-10
14	BLADE, CONDENSER FAN	69958-2
15	WASHER, FAN BLADE	19913-2
16	CLIP	19914-0
17	BRACKET, FAN MOTOR	69181-1
18	GROMMET, BRACKET	56933-1
19	CLIP, MOTOR BRACKET	57051-1
20	SCREW	405007-1
20	TIMER, DEFROST	69543-6
21	CUSHION PADDING, DRAIN PAN	45004-20

Distribuidor Autorizado

SurteRápido.com

Venta de Refacciones
Electrodomesticas



Refrigerador Maytag RSD2200CAL

No. Ilus.	DESCRIPCIÓN	No. de Parte
21	PAN, DRAIN	68236-1
22	RIVET	440015-300
22	TROUGH, DRAIN	53523-1
23	HOSE, DRAIN	26911-18
24	CLAMP, DRAIN HOSE	9602-3
25	CLAMP, DRAIN HOSE	53516-5
26	COVER, UNIT COMPARTMENT	69139-1
26	SCREW	9986-45
27	COVER, HEAT EXCHANGER	26088-22
27	WIRE TIE	66223-1
27	HEAT EXCHANGER	RA95090-3
28	DRIER	13900
29	THERMOSTAT, DEFROST	52085-29
30	EVAPORATOR	RA43643-1
31	HOUSING, EVAPORATOR	68834-1
32	BOARD, TERMINAL	55878-1
33	SEAL	66325-17
33	SEAL AIR RETURN	67693-1
34	SEAL, STYROFOAM-(LEFT)	65063-1
35	SEAL, STYROFOAM-(RIGHT)	65064-1
36	HEATER, DEFROST	69848-1
37	REFLECTOR	29915-12
37	SCREW	400017-1
38	CLIP, DEFROST HEATER	52067-1
39	BRACKET, HEATER SHIELD	52561-1
40	COVER, BACK WIRE	67094-1
40	WIRE HARNESS, MAIN	69214-1

Distribuidor Autorizado



Venta de Refacciones
Electrodomesticas

Refrigerador Maytag RSD2200CAL

<u>No. Ilus.</u>	<u>DESCRIPCIÓN</u>	<u>No. de Parte</u>
41	SCREW	400017-1
41	CAPACITOR, RUN	65889-6
42	BRACKET, MOUNTING TIMER	29282-2
42	SCREW	400017-1
43	SCREW	400017-1
44	GROMMET	52526-1