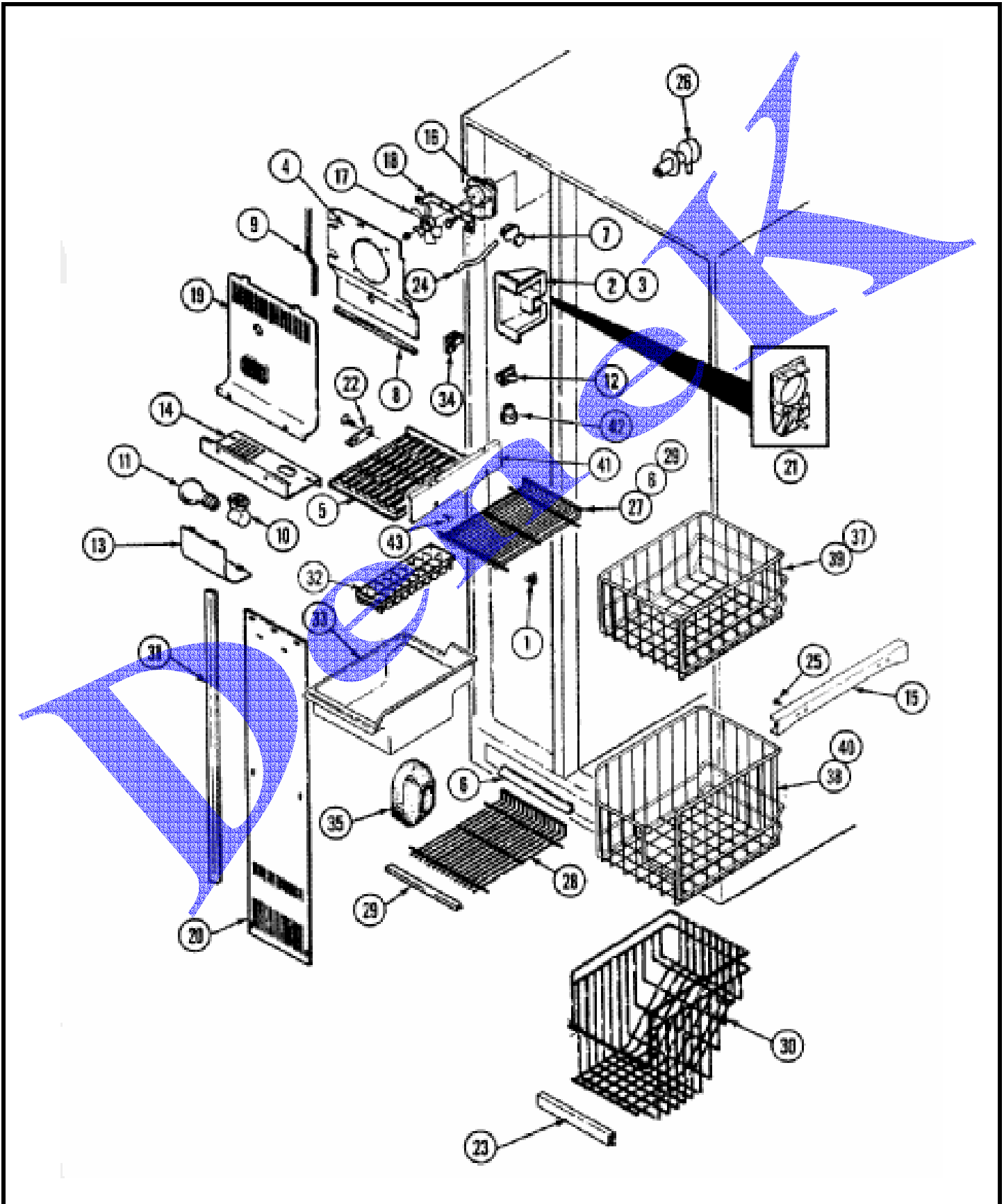


## MAYTAG RSD2400CAE

## FREEZER COMPARTMENT



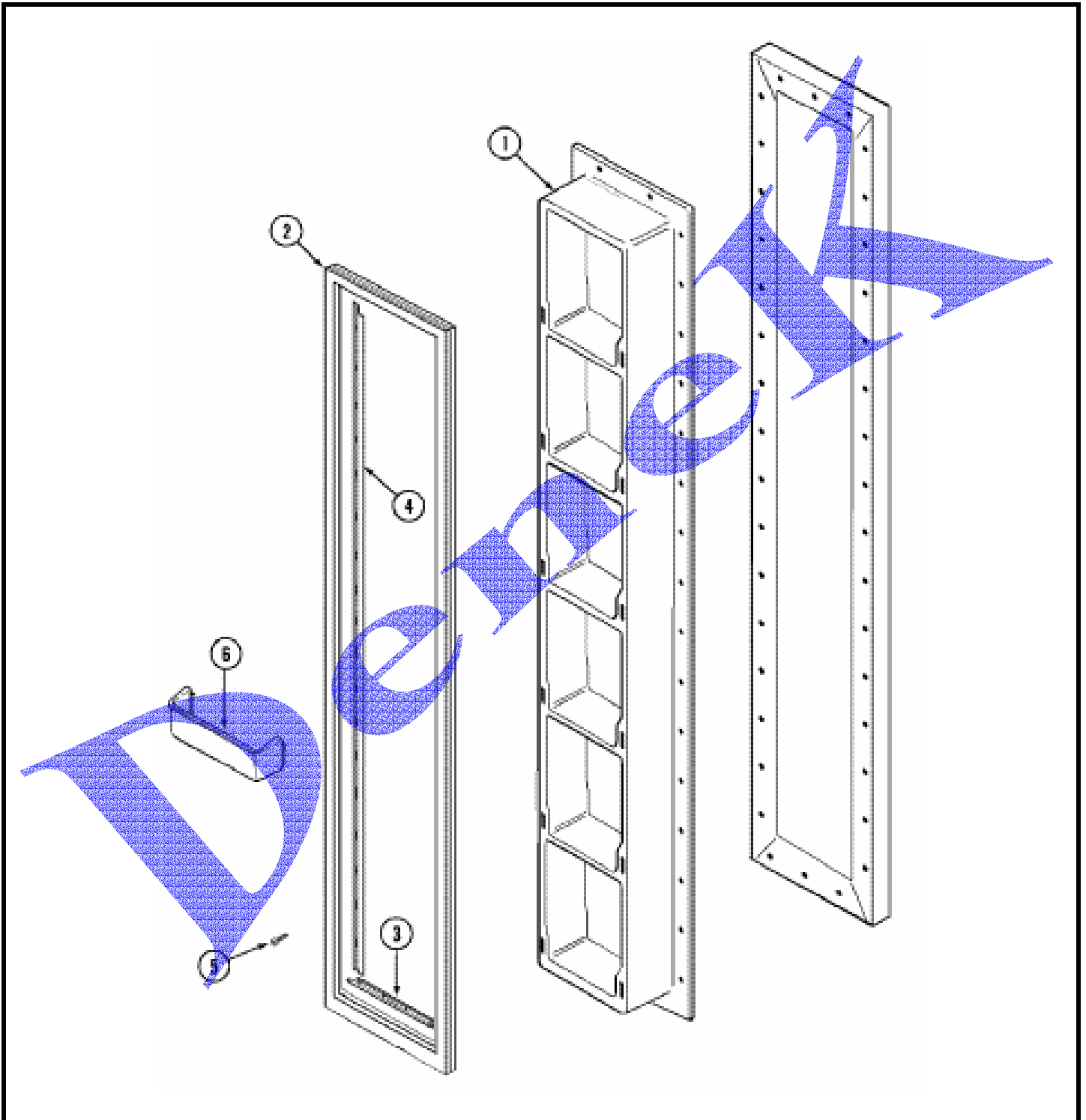
## MAYTAG RSD2400CAE

## FREEZER COMPARTMENT

1	67466-1	CUP, SHELF
2	67353-1	SHIELD, AIR DIRECTIONAL
3	52077-10	SEAL
4	400015-12	SCREW
4	67297-6	COVER, COIL UPPER
5	67114-4	SHELF, ICE TRAY
6	67177-7	TRIM, FRZ. SHELF
7	68187-1	CAP, CONNECTOR
8	68946-6	SEAL
9	66325-20	SEAL
10	68974-3	RECEPTACLE, BULB
11	31956-1	BULB, LIGHT REF ONLY
12	66987-1	SWITCH, LIGHT
13	67292-1	SHIELD, LIGHT
14	67345-3	SUPPORT, LIGHT SHIELD
15	69519-1	GLIDE, BASKET
16	69298-1	MOTOR, FAN EVAPORATOR
17	52120-4	BLADE, EVAPORATOR FAN
18	64856-1	BRACKET, FAN MOTOR
19	67225-2	SHIELD, FAN
20	67335-1	COVER, LOWER COIL
21	67352-1	ORIFICE, FRZ. CONTROL (OUTLET)
22	67288-1	BRACKET, MOUNTING
23	67176-54	TRIM, FRZ SHELF FRONT
24	67676-1	TUBE, FILL
25	400022-1	SCREW
26	69219-1	GROMMET
27	67178-10	SHELF, FRZ.
28	67178-8	SHELF, WIRE
29	67176-57	TRIM, FRZ SHELF FRONT
30	69350-2	BASKET, FRZ WIRE
31	69314-1	SEAL COVER (SIDE)
32	59281-5	TRAY, ICE
33	69919-1	PAN, ICE
34	67143-1	SUPPORT ICE SHELF
35	67837-1	INSULATION, AIR RETURN
36	60319-4	SCREW, ANCHOR
37	67176-51	TRIM, FRZ SHELF FRONT
38	69349-2	BASKET, PIZZA
39	69348-2	BASKET, FRZ WIRE
40	67176-52	TRIM, FRZ SHELF FRONT
41	67148-2	DIVIDER, ICE SHELF
42	67149-1	SUPPORT, DIVIDER
43	67150-1	FASTENER, DIVIDER

## MAYTAG RSD2400CAE

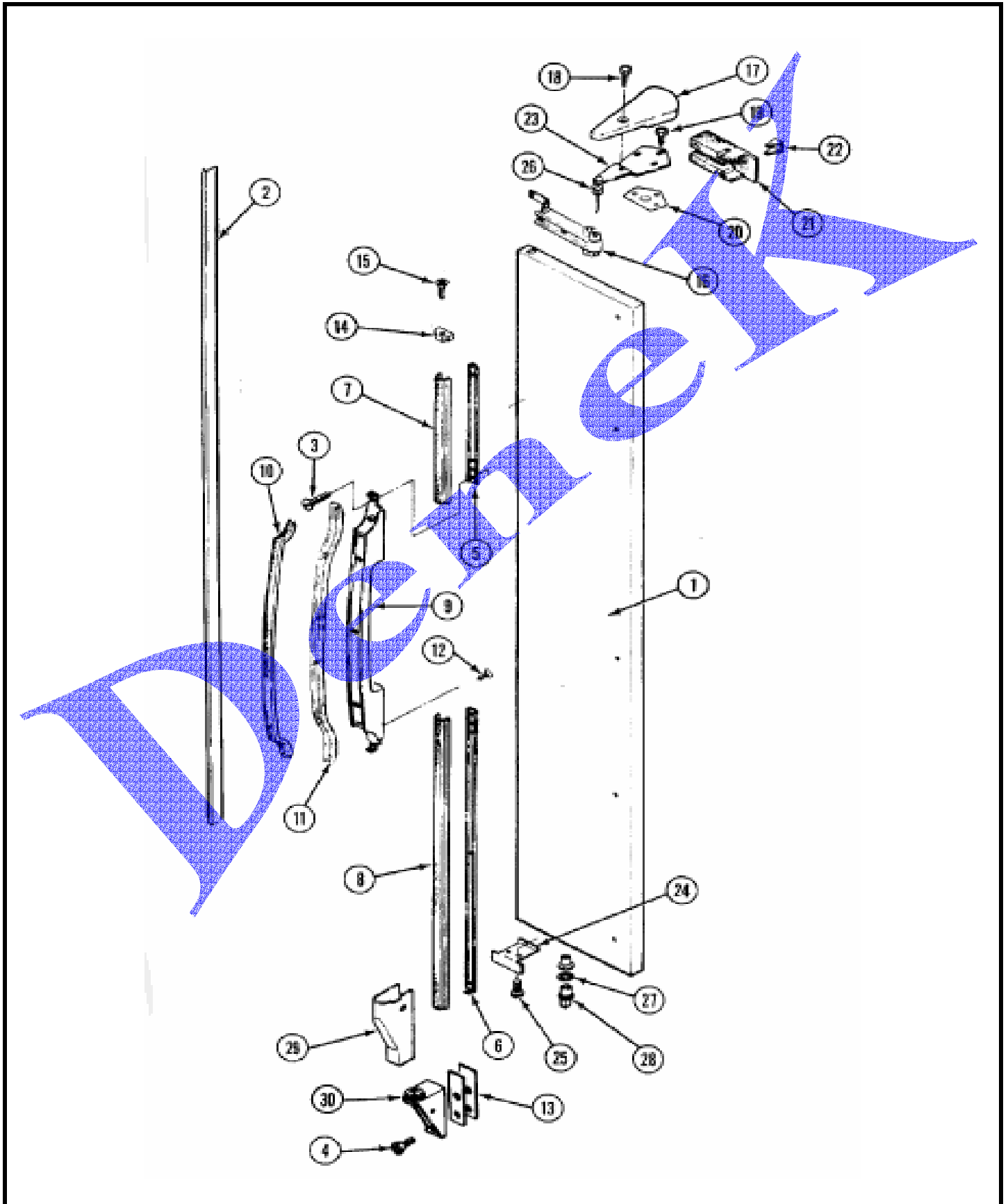
## FREEZER INNER DOOR



- |   |         |                       |
|---|---------|-----------------------|
| 1 | 69249-1 | LINER, FRZ. DOOR      |
| 2 | 70024-2 | GASKET, FRZ. DOOR     |
| 3 | 69992-4 | RETAINER, GASKET      |
| 4 | 69992-1 | RETAINER, GASKET      |
| 5 | 65275-5 | SCREW                 |
| 6 | 69870-4 | FRONT, PICK-OFF SHELF |

## MAYTAG RSD2400CAE

## FREEZER OUTER DOOR



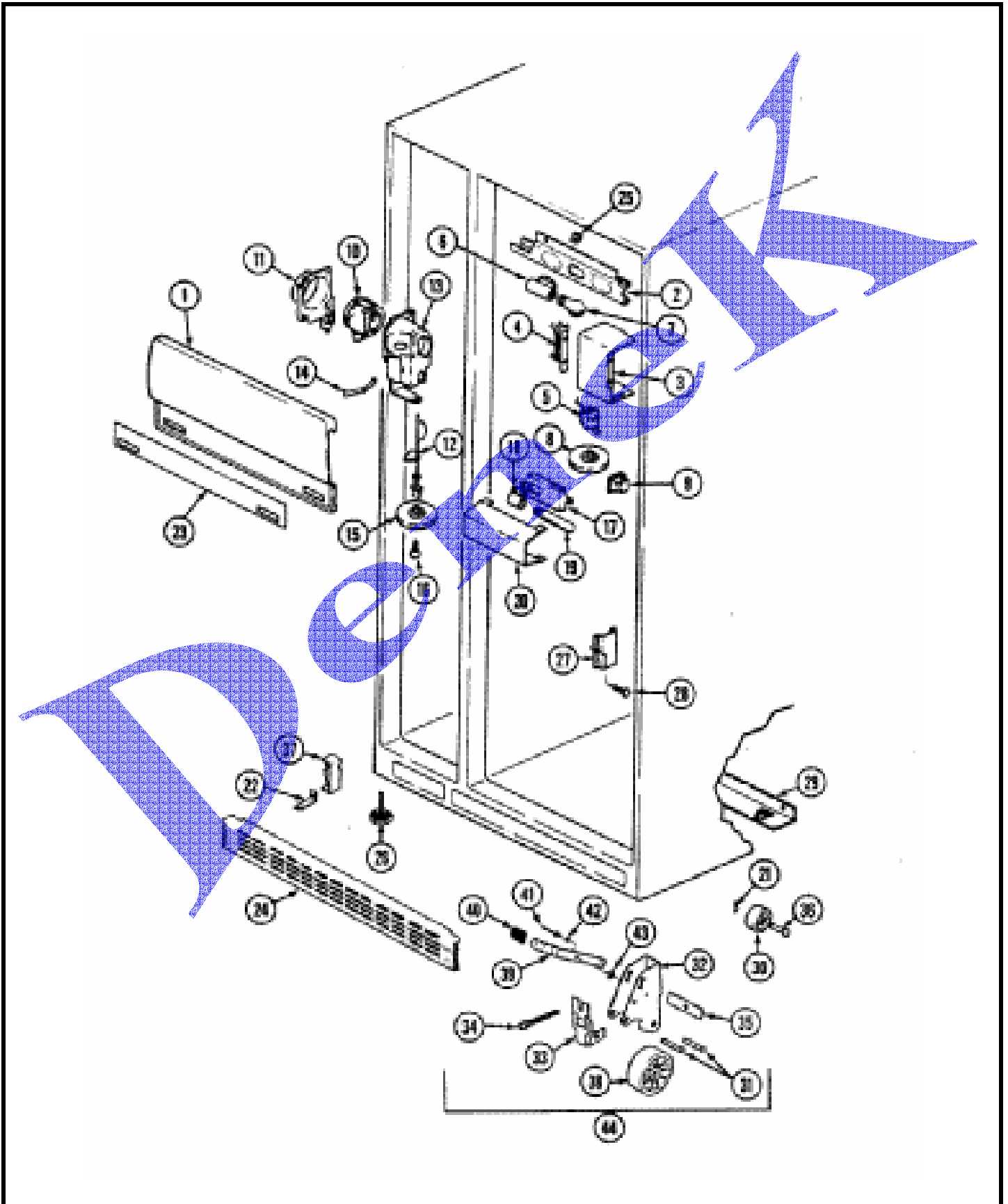
## MAYTAG RSD2400CAE

## FREEZER OUTER DOOR

1	72341-101-WW	PANEL, FRZ. DOOR (WHT)
2	69265-4	TRIM, DOOR
3	69477-2	ANCHOR, SCREW
3	65275-65	SCREW
4	65275-51	SCREW, LOWER HINGE
5	67926-1	SHIM, TRIM LOCK (UPR)
6	67926-2	SHIM, TRIM LOCK (LWR)
7	67932-8	TRIM, EXTENSION (UPR - WHT)
8	67932-9	TRIM, EXTENSION (LWR - WHT)
9	67922-1	HANDLE
10	67924-2	INSERT, HANDLE (WHT)
11	67920-1	FRAME, HANDLE
11	66799-3	CLIP, HANDLE SCREW
12	65275-44	SCREW
13	65275-59	SCREW
13	67874-1	TAPPING PLATE, LOWER HINGE
13	69510-1	SHIM, LOWER HINGE
14	67928-2	ENDCAP, HANDLE
15	414004-35	SCREW
16	69258-1	CLOSER, DOOR
17	69518-4	COVER, UPPER HINGE (WHT)
18	408062-1	SCREW
19	65275-52	SCREW
20	65031-1	SHIM, UPPER HINGE
21	52613-1	INSULATION, CLOSER
21	70049-1	INSULATION DOOR
22	69261-1	BRACKET, CLOSER
23	53709-22	HINGE, UPPER
23	67239-2	SLEEVE, DOOR HANDLE
24	69256-2	STOP, DOOR
25	67386-1	CLIP, HANDLE
25	65275-48	SCREW
26	52185-1	WASHER
27	67483-2	WASHER, LOWER HINGE
28	69845-1	PIN, LOWER HINGE
29	68978-4	COVER, LOWER HINGE (WHT)
30	69516-4	HINGE, LOWER (ZINC)

## MAYTAG RSD2400CAE

## FRESH FOOD COMPARTMENT



## MAYTAG RSD2400CAE

## FRESH FOOD COMPARTMENT

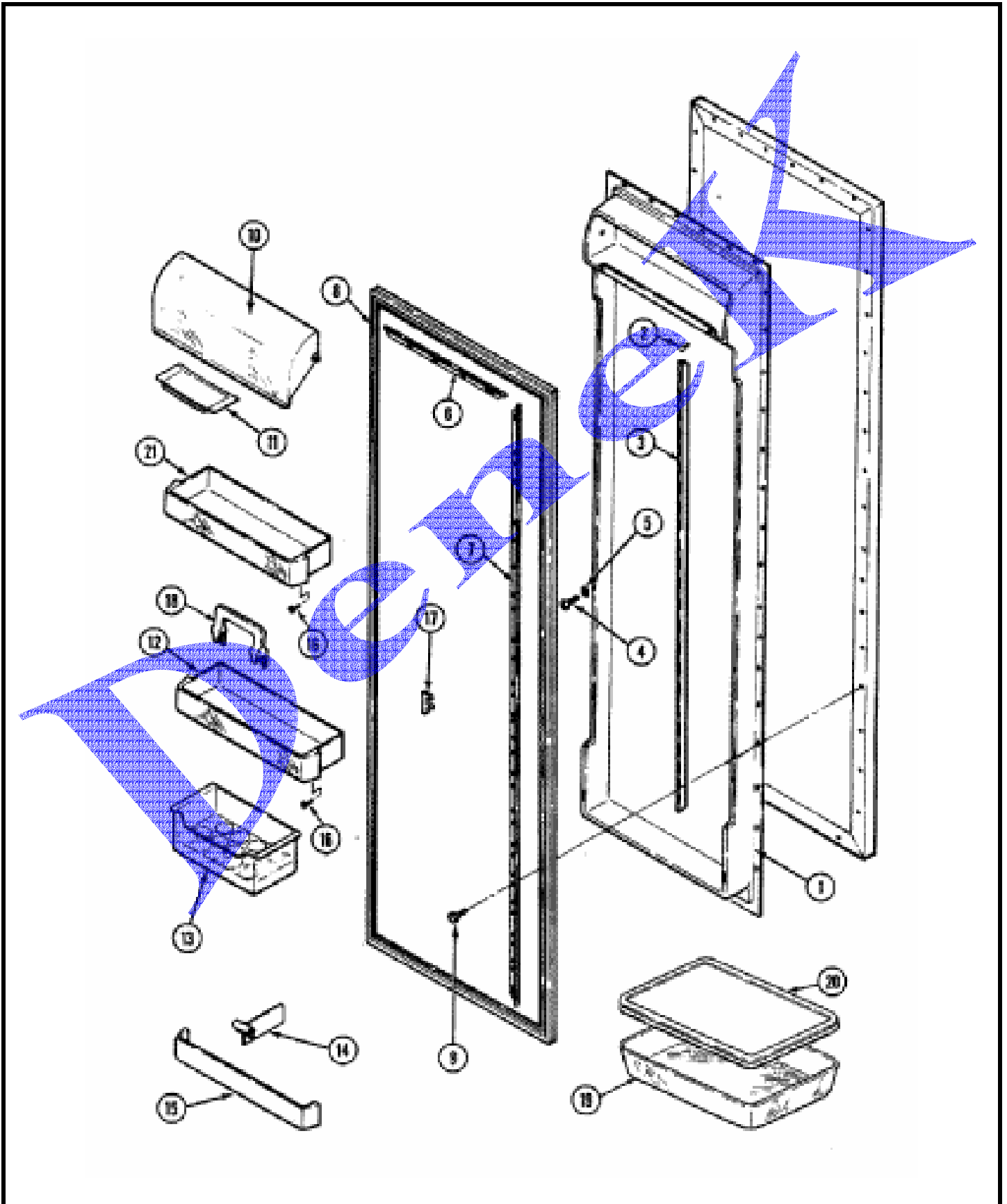
1	67113-4	SHIELD, LIGHT
2	400017-1	SCREW
2	67751-2	HOUSING, LIGHT SOCKET & WIRES
3	400017-1	SCREW
3	67126-1	HOUSING, TEMPERATURE CONTROL
4	67125-1	SUPPORT, LIGHT SHIELD
4	401012-1	SCREW, CONTROL MOUNTING
5	401024-1	SCREW
5	69694-3	CONTROL, TEMPERATURE
6	29813-1	SOCKET, LIGHT
7	31956-1	BULB, LIGHT REF ONLY
8	67145-5	KNOB, CONTROL
9	66987-1	SWITCH, LIGHT
10	58767-1	INSULATION, HOUSING
11	67351-1	ORIFICE, FRZ. CONTROL (INLET)
12	67355-1	DAMPER, FRZ. CONTROL
13	67354-1	HOUSING, FRZ. CONTROL
14	52648-1	SPRING, BAFFLE
15	67145-6	KNOB, CONTROL
16	400001-1	SCREW
17	400017-1	SCREW
17	67243-1	BASE, LIGHT (MEAT)
18	29814-2	RECEPTACLE, LIGHT
19	20174-6	BULB, LIGHT
19	401012-1	SCREW, CONTROL MOUNTING
20	67242-1	SHIELD, LIGHT
21	62581-1	CLIP, RETAINING WHEEL (REAR)
22	400017-1	SCREW
22	67259-1	CLIP, KICKPLATE
23	67476-8	INSERT, LIGHT SHIELD
24	67023-12	KICKPLATE (WHT)
25	55042-2	CLIP
26	68664-1	LEG, LEVELING
27	62128-1	AIR DEFLECTOR
28	28013-2	RIVET, AIR TUNNEL
29	65275-42	SCREW
29	67255-3	RAIL, HORIZONTAL SUPPORT
30	69812-1	WHEEL
31	64965-1	PIN, WHEEL
32	67806-1	BRACKET, WHEEL
33	67280-1	FACEPLATE, BRACKET
33	65275-1	SCREW
34	56487-5	SCREW, WHEEL ADJUSTMENT
35	59101-1	TAPPING PLATE, WHEEL
36	64965-3	PIN, WHEEL (REAR)
37	67854-3	END CAP, KICKPLATE (RT-WHT)
37	67854-4	END CAP, KICKPLATE (LT-WHT)
38	69812-2	WHEEL
39	67528-1	HANDLE, LOCK LEVER

40 67232-1 LEVER, WHEEL LOCK  
41 26397-2 RIVET  
42 420003-905 LOCKWASHER  
43 420007-400 WASHER  
44 72319-5 WHEEL ASSY.(L)  
44 72319-6 WHEEL ASSY.(R)



## MAYTAG RSD2400CAE

## FRESH FOOD INNER DOOR



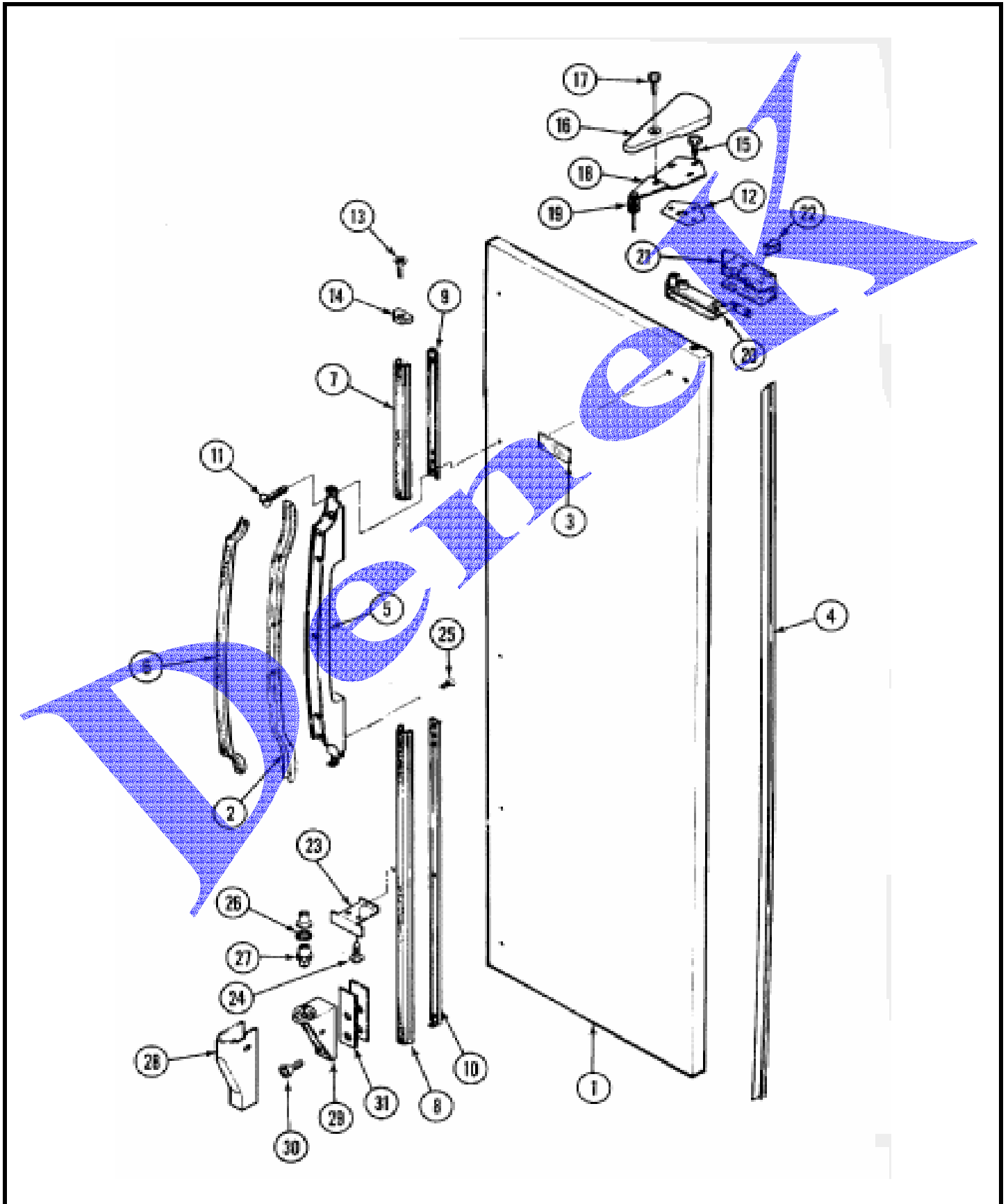
## MAYTAG RSD2400CAE

## FRESH FOOD INNER DOOR

1	69241-1	LINER, F.F. DOOR
2	28272-6	BUMPER, DOOR
3	67316-1	RAIL, P O DOOR
4	400027-28	SCREW
5	67144-1	GROMMET, PICK-OFF
6	69992-2	RETAINER, GASKET
7	69992-1	RETAINER, GASKET
8	70024-4	GASKET, F.F. DOOR (WHT)
9	65275-5	SCREW
10	69918-2	DOOR, DAIRY
11	67216-1	TRAY, BUTTER
12	69872-4	SHELF, PICK-OFF
13	67215-2	TRAY, EGG
14	67027-6	ORGANIZER, P.O. SHELF
15	69871-5	FRONT, PICK-OFF
16	59920-17	RIVET
17	67043-5	HOOK, P.O. SHELF (LT.-LT.SHF)
17	67043-6	HOOK, P.O. SHELF (RT.-RT.SHF.)
18	69795-1	RETAINER, BOTTLE
19	69852-1	DISH, MICROWAVE
20	69853-1	COVER, PLASTIC
21	69872-5	SHELF, PICK-OFF

## MAYTAG RSD2400CAE

## FRESH FOOD OUTER DOOR



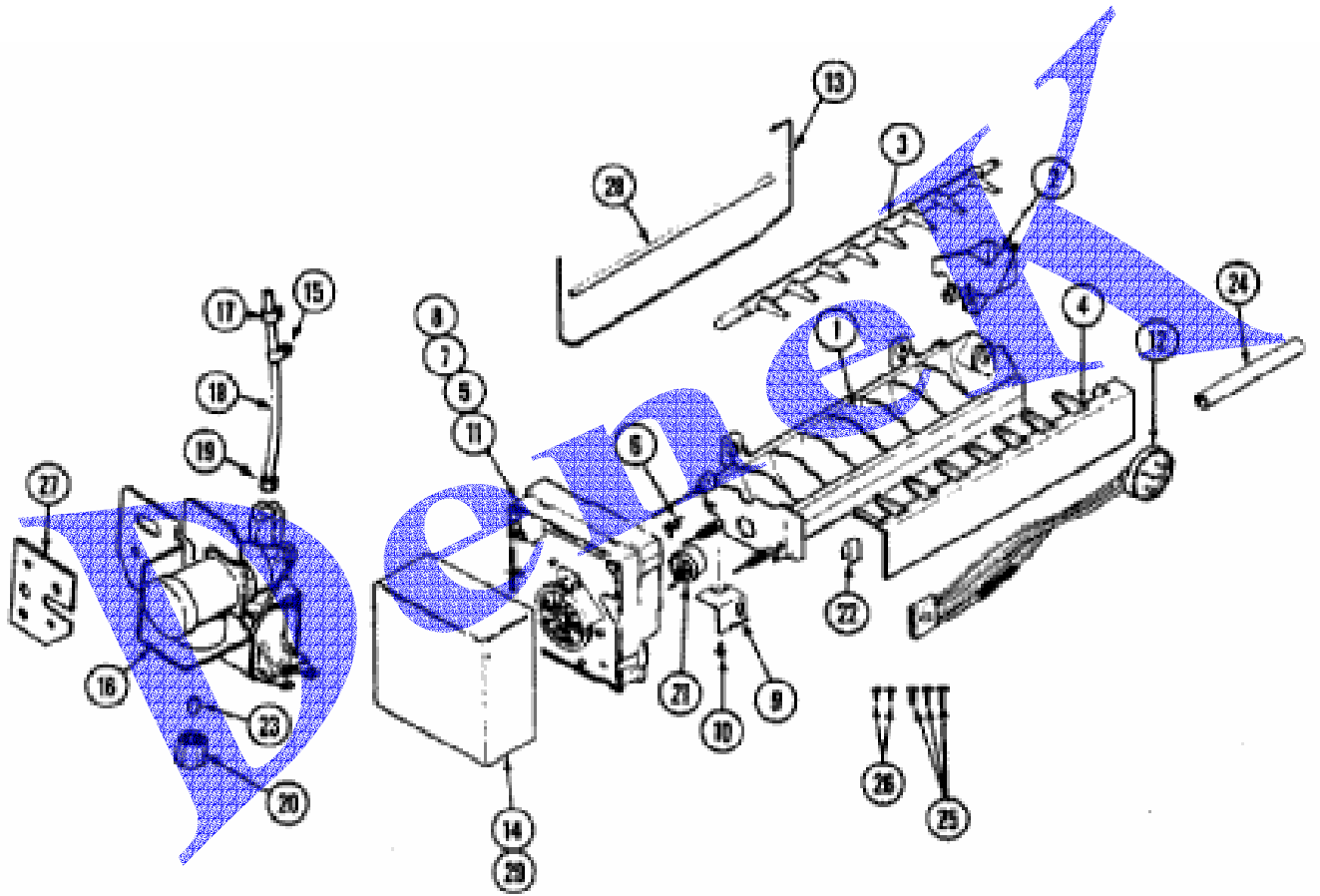
## MAYTAG RSD2400CAE

## FRESH FOOD OUTER DOOR

1	72341-2-WW	PANEL, F.F. DOOR (WHT)
2	67920-1	FRAME, HANDLE
3	69995-2	NAMEPLATE (WHT)
4	69265-4	TRIM, DOOR
5	67922-1	HANDLE
6	67924-2	INSERT, HANDLE (WHT)
7	67932-8	TRIM, EXTENSION (UPR - WHT)
8	67932-9	TRIM, EXTENSION (LWR - WHT)
9	67926-1	SHIM, TRIM LOCK (UPR)
10	67926-2	SHIM, TRIM LOCK (LWR)
11	65275-65	SCREW
11	69477-2	ANCHOR, SCREW
12	65031-1	SHIM, UPPER HINGE
13	414004-35	SCREW
14	67928-2	ENDCAP, HANDLE
15	65275-52	SCREW
16	69518-4	COVER, UPPER HINGE (WHT)
17	408062-1	SCREW
18	53709-22	HINGE, UPPER
18	67239-2	SLEEVE, DOOR HANDLE
19	52185-1	WASHER
20	69258-1	CLOSER, DOOR
21	70049-1	INSULATION DOOR
21	52613-1	INSULATION, CLOSER
22	69261-1	BRACKET, CLOSER
23	69256-2	STOP, DOOR
24	65275-48	SCREW
24	67386-1	CLIP, HANDLE
25	65275-44	SCREW
26	67483-2	WASHER, LOWER HINGE
27	69845-1	PIN, LOWER HINGE
28	68978-4	COVER, LOWER HINGE (WHT)
29	69516-4	HINGE, LOWER (ZINC)
30	65275-51	SCREW, LOWER HINGE
31	67874-1	TAPPING PLATE, LOWER HINGE
31	65275-59	SCREW
31	69510-1	SHIM, LOWER HINGE

## MAYTAG RSD2400CAE

## OPTIONAL ICE MAKER KIT



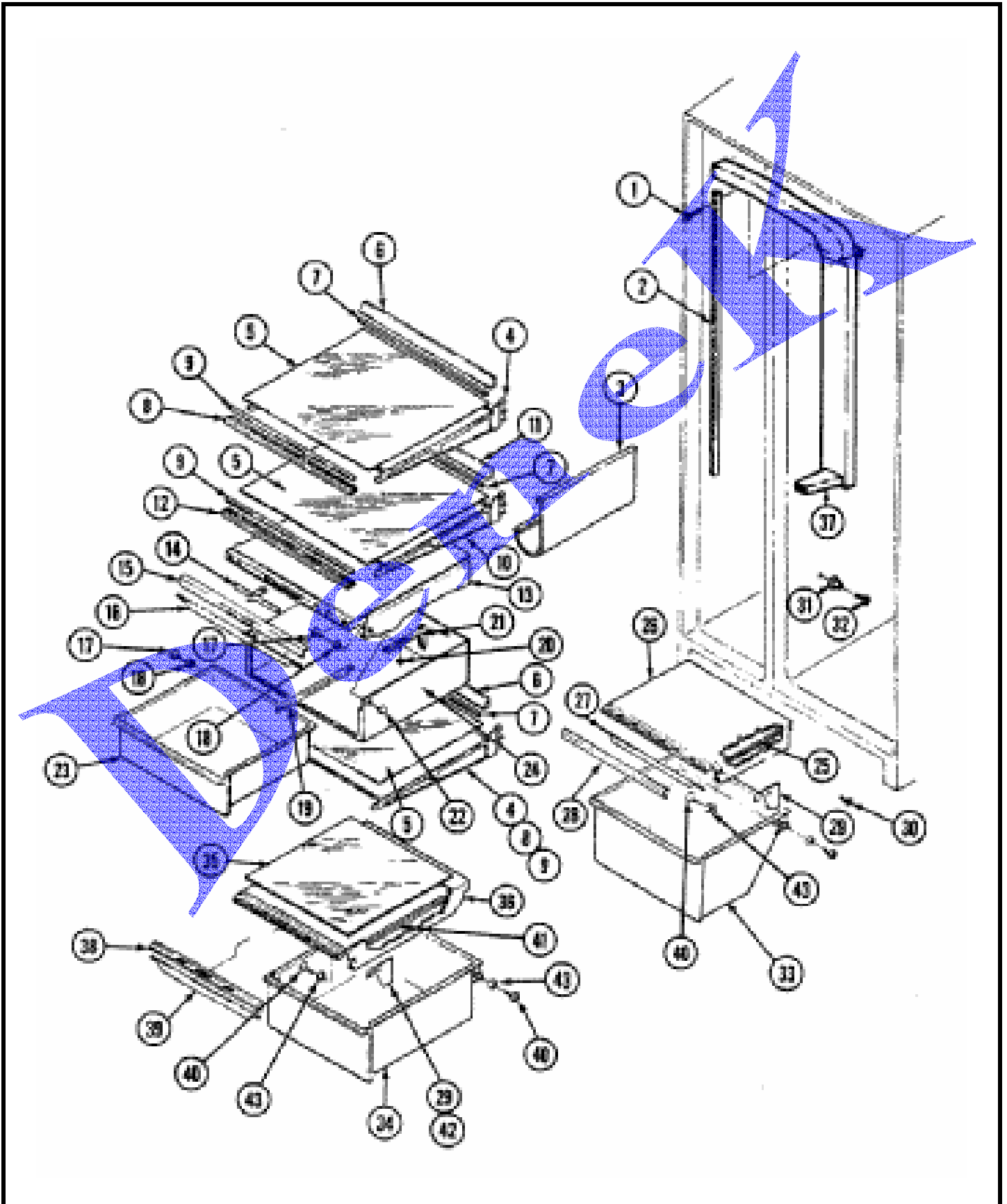
## MAYTAG RSD2400CAE

## OPTIONAL ICE MAKER KIT

1	95098-1	MOLD & HEATER ASSY.
1	95099-1	GREASE, SILICONE
2	95100-1	INLET WATER
3	95101-1	EJECTOR, ICE
4	95102-1	STRIPPER, ICE
5	95103-1	SUPPORT, MODULE HOUSING
6	95104-1	RETAINER, THERMOSTAT
7	95105-1	SCREW
8	95106-1	SCREW
9	95107-1	BRACKET, MODULE & HEATER
10	95108-1	SCREW, BRACKET
11	95109-1	MODULE, ICE MAKER
12	67672-1	WIRE HARNESS, ICE MAKER
13	68112-1	ARM, SENSOR
14	68113-1	COVER ICE MAKER
15	23197-8	CLAMP, FEEDER TUBE
15	400016-1	SCREW
16	69364-1	VALVE, WATER
17	60333-4	CLAMP, SPRING
18	67579-6	TUBING, VALVE TO GROMMET
19	55419-1	NUT, COMPRESSION (1/4")
20	69432-1	NUT, BRASS (1/4")
21	95092-1	THERMOSTAT
21	95093-1	CEMENT, ALUMILASTIC (4 OZ.)
22	68118-1	CLAMP, WIRE HARNESS
23	69431-1	SLEEVE, BRASS
24	67666-3	TUBE, FILL
25	400021-1	SCREW
26	401017-1	SCREW
27	406026-103	SCREW
27	69363-1	BRACKET, WATER VALVE
28	67556-1	SLEEVE, SENSOR ARM
29	400021-1	SCREW
29	67061-1	DUCT, AIR (15' & 17' MODELS)
29	67061-2	DUCT, AIR (19' & 21' MODELS)
29	67061-3	DUCT, AIR
29	67428-1	TRIM, ICE MAKER COVER

## MAYTAG RSD2400CAE

## SHELVES & ACCESSORIES



## MAYTAG RSD2400CAE

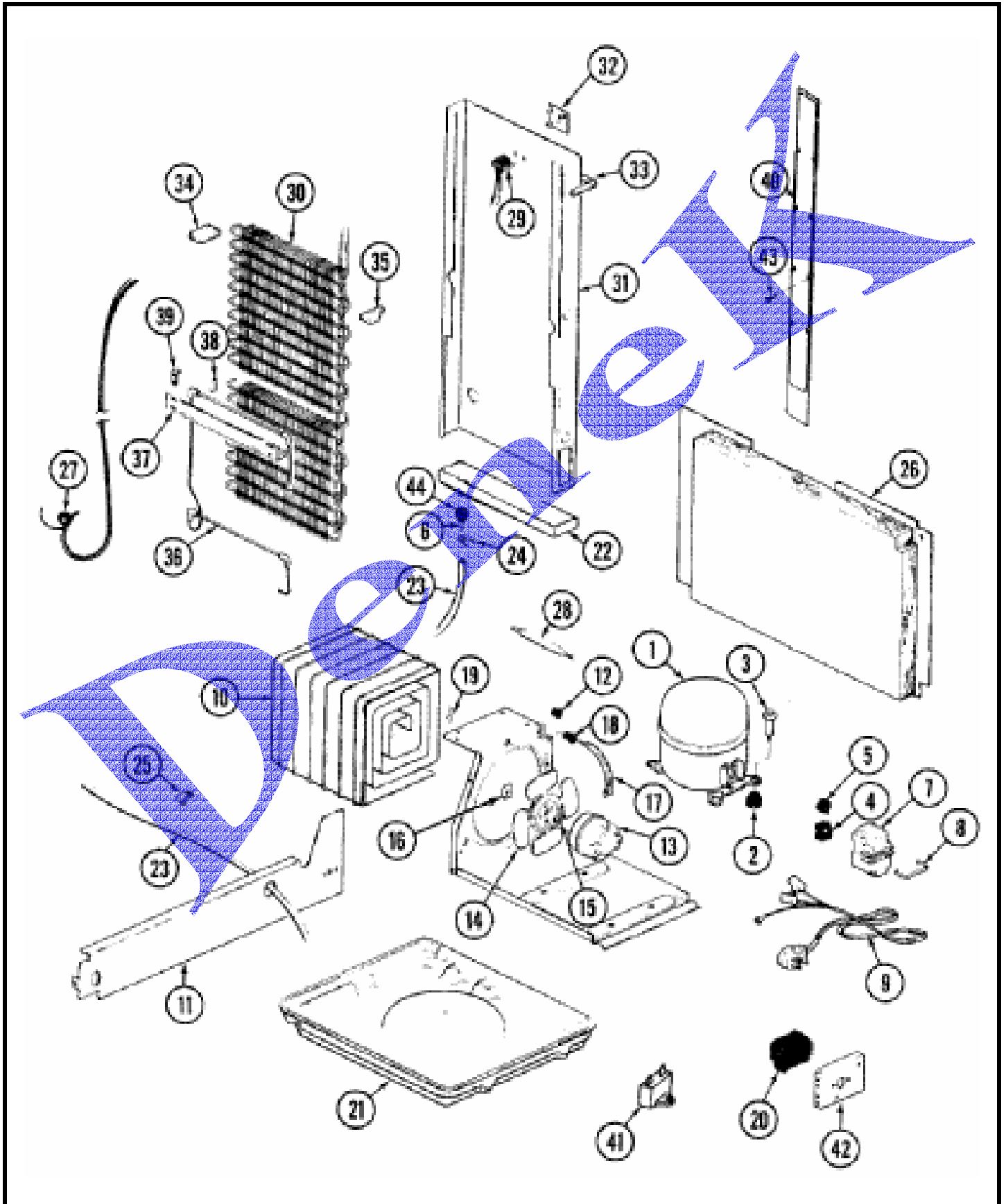
## SHELVES & ACCESSORIES

1	400037-28	SCREW
2	67311-1	RAIL, SHELF SUPPORT
3	67308-5	HOLDER, WINE BOTTLE
4	67273-2	FRAME, SHELF
5	67267-12	SHELF, CANT GLASS
6	67309-40	TRIM, SHELF
7	67266-5	SHELF SEAL
8	67783-27	TRIM, CANT SHELF FRONT
9	67265-5	GASKET, SHELF FRONT
10	67274-2	FRAME, MEAT SHELF
11	67309-41	TRIM, MEAT SHELF
12	67783-28	TRIM, CANT SHELF FRONT
13	67649-11	SUPPORT, MEAT PAN
14	67491-2	SLIDE, CONTROL
15	67071-8	TRIM, MEAT PAN SUPPORT
16	67677-2	SEAL, MEAT PAN
17	65275-6	SCREW
18	67423-1	ROLLER, CRISPER PAN
19	67073-4	LINKAGE, MEAT PAN
20	431019-511	NUT
21	67072-10	ACTUATOR
22	67688-3	PLUG BUTTON
23	69928-3	PAN, MEAT
24	67069-10	HOUSING, MEAT PAN
25	69779-1	SEAL
26	67892-6	SHELF, CRISPER (LOWER)
27	69798-7	SEAL, CRISPER PAN
28	67204-14	TRIM, CRISPER SHELF
29	67895-1	SUPPORT, CRISPER SHELF (LT)
29	67895-2	SUPPORT, CRISPER SHELF (RT)
30	65275-28	SCREW
31	67764-1	SUPPORT, CRISPER SHELF
32	400026-12	SCREW
33	69928-8	PAN, CRISPER
34	69928-4	PAN, CRISPER
35	67489-10	GLASS, CRISPER SHELF
36	67891-4	SHELF, CRISPER (UPPER)
37	67526-2	TUNNEL, AIR
37	28013-2	RIVET, AIR TUNNEL
38	67204-31	TRIM
39	69798-7	SEAL, CRISPER PAN
40	65275-34	SCREW
41	69779-2	SEAL, CRISPER
42	65275-28	SCREW
43	67423-1	ROLLER, CRISPER PAN



## MAYTAG RSD2400CAE

## UNIT COMPARTMENT & SYSTEM



## MAYTAG RSD2400CAE

## UNIT COMPARTMENT & SYSTEM

1	12000038	KIT, COMPRESSOR
1	69062-1	WIRE HARNESS, COMPRESSOR
2	17245-4	GROMMET, COMPRESSOR
3	65275-9	SCREW, COMPRESSOR MOUNTING
4	66588-5	RELAY, START
5	69105-8	OVERLOAD
6	26527-11	TUBE, DRAIN
7	66589-2	COVER, TERMINAL
8	65886-1	CLIP, TERMINAL COVER
9	52890-3	CORD, POWER
9	53810-1	CLAMP
10	60408-2	U-NUT, CONDENSER
10	400062-1	SCREW
10	RA43644-3	CONDENSER
11	9986-45	SCREW
11	66494-1	BAFFLE, AIR DIVIDER
12	53351-1	GROMMET, CONDENSER TUBING
13	65275-33	SCREW
13	67560-10	MOTOR, CONDENSER FAN
14	69958-2	BLADE, CONDENSER FAN
15	19913-2	WASHER, FAN BLADE
16	19914-0	CLIP
17	69181-1	BRACKET, FAN MOTOR
18	56933-1	GROMMET, BRACKET
19	57051-1	CLIP, MOTOR BRACKET
20	405007-1	SCREW
20	69543-6	TIMER, DEFROST
21	68236-1	PAN, DRAIN
21	45004-20	CUSHION PADDING, DRAIN PAN
22	440015-300	RIVET
22	53523-2	TROUGH, DRAIN
23	26911-25	HOSE, DRAIN
24	9602-3	CLAMP, DRAIN HOSE
25	400017-1	SCREW
25	53516-5	CLAMP, DRAIN HOSE
26	69139-3	COVER, UNIT COMPARTMENT
26	9986-45	SCREW
27	RA95090-2	HEAT EXCHANGER
27	66223-1	WIRE TIE
27	26088-22	COVER, HEAT EXCHANGER
28	13900	DRIER
29	52085-29	THERMOSTAT, DEFROST
30	RA43643-10	EVAPORATOR
31	68834-2	HOUSING, EVAPORATOR
32	55878-1	BOARD, TERMINAL
33	67693-1	SEAL AIR RETURN
33	66325-18	SEAL
34	65063-1	SEAL, STYROFOAM-(LEFT)
35	65064-1	SEAL, STYROFOAM-(RIGHT)

36	69848-2	HEATER, DEFROST
37	29915-13	SHIELD, DEFROST HEATER
37	400017-1	SCREW
38	52067-1	CLIP, DEFROST HEATER
39	52561-1	BRACKET, HEATER SHIELD
40	69214-1	WIRE HARNESS, MAIN
40	67094-1	COVER, BACK WIRE
41	65889-6	CAPACITOR, RUN
41	400017-1	SCREW
42	400017-1	SCREW
42	29282-2	BRACKET, MOUNTING TIMER
43	400017-1	SCREW
44	52526-1	GROMMET