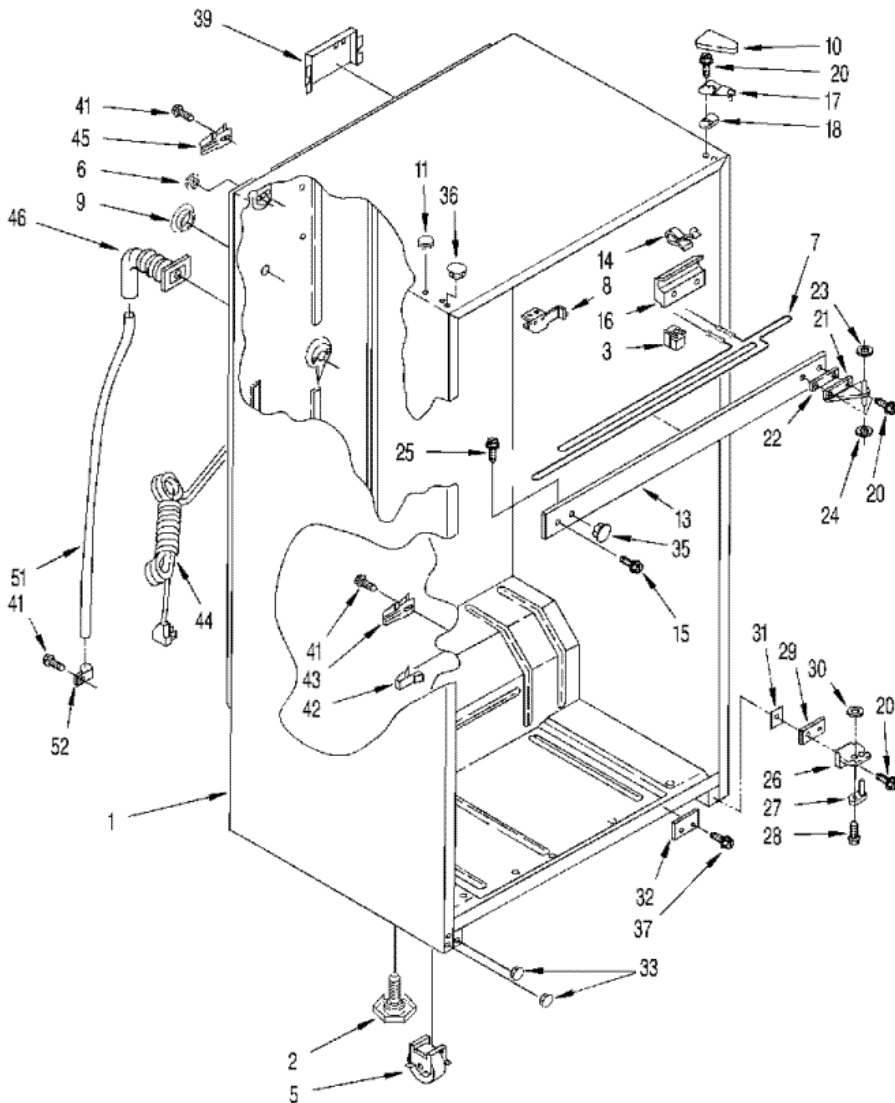


Distribuidor Autorizado

SurteRápido.com

Venta de Refacciones
Electrodomesticas

RT12DKXDL00 CABINET



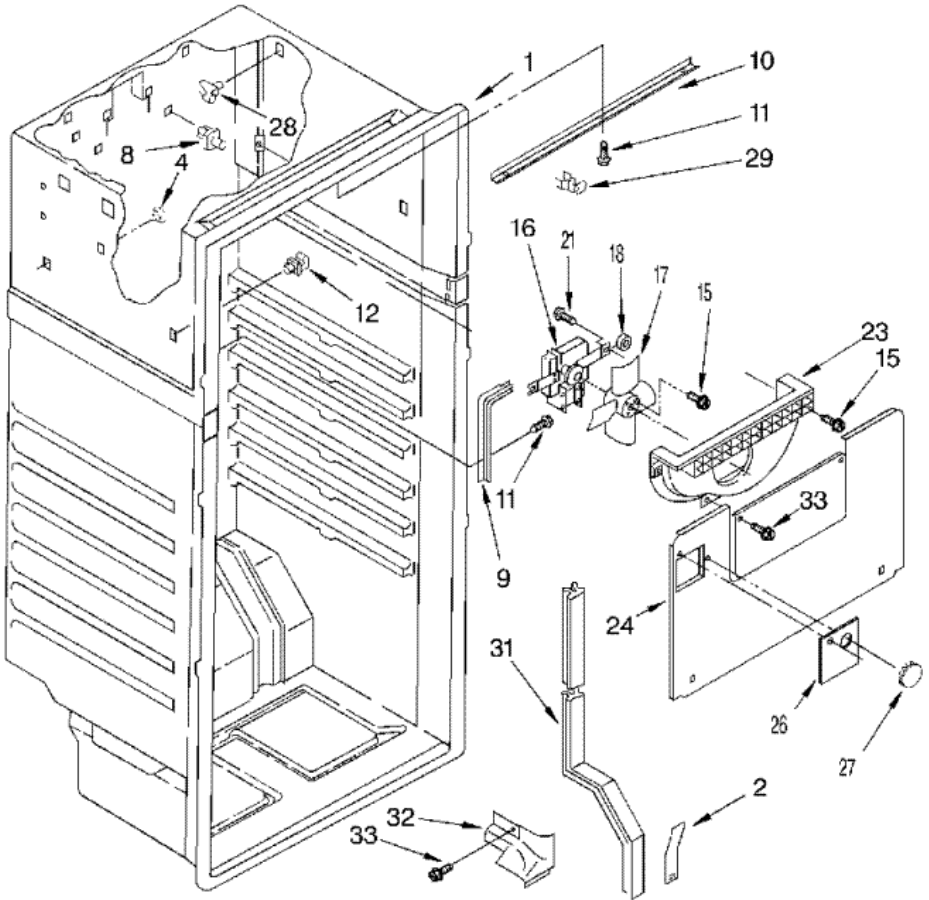


RT12DKXDL00 CABINET

1	*****	CABINET DESCONTINUADO
2	937220	LEVELER
3	1116484	SPACER (S/P)
5	2152014	ROLLER (S/P)
6	940014	HOLE PLUG (S/P)
7	2178952	HEATER, MULLION (S/P)
8	935692	CENTER RAIL, BRACKET (S/P)
9	655411	HOLE PLUG (S/P)
10	1119787	HINGE COVER (WHITE) (S/P)
10	989194	HINGE COVER (ALMOND) (S/P)
11	940014	HOLE PLUG (S/P)
13	944868	CENTER RAIL (S/P)
14	1114428	BREAKER, TRIM CLIP (S/P)
15	488783	SCREW (S/P)
16	2151428	CENTER, RAIL SHIM (S/P)
17	1100513	HINGE, TOP (S/P)
18	1100511	SHIM, HINGE TOP DESCONTINUADO
20	489105	SCREW (S/P)
21	944788	HINGE, CENTER (S/P)
22	836155	SHIM, HINGE CENTER DESCONTINUADO
23	487802	WASHER, 7/64
24	488296	WASHER (S/P)
25	487900	SCREW (S/P)
26	4318004	HINGE BUTT, BOTTOM (S/P)
27	654366	PIN, HINGE (S/P)
28	488714	SCREW (BOTTOM L.H.)
29	935737	SHIM, BOTTOM (S/P)
30	487576	WASHER (S/P)
31	935743	TAP PLATE (S/P)
32	935711	RAIL, COVER (ALMOND) (S/P)
32	935707	RAIL, COVER (WHITE) DESCONTINUADO
33	941416	HOLE, PLUG (2) (WHITE) (S/P)
33	941417	HOLE, PLUG (2) (ALMOND) (S/P)

35	1119707	HOLE PLUG (S/P)
36	842031	HOLE PLUG (2) (WHITE) (S/P)
36	989195	HOLE PLUG (2) (ALMOND) (S/P)
37	488895	SCREW (S/P)
39	946218	COVER, WIRING (S/P)
41	489242	SCREW (S/P)
42	939054	CLIP, WIRE (S/P)
43	3196256	CLAMP, SERVICE CORD (S/P)
44	1113084	CORD, SERVICE (S/P)
45	937357	CLAMP (S/P)
46	836096	FITTING, DRAIN (S/P)
51	8316810	TUBE, DRAIN (S/P)
52	488946	CLAMP (S/P)

RT12DKXDL00 LINER





RT12DKXDL00 LINER

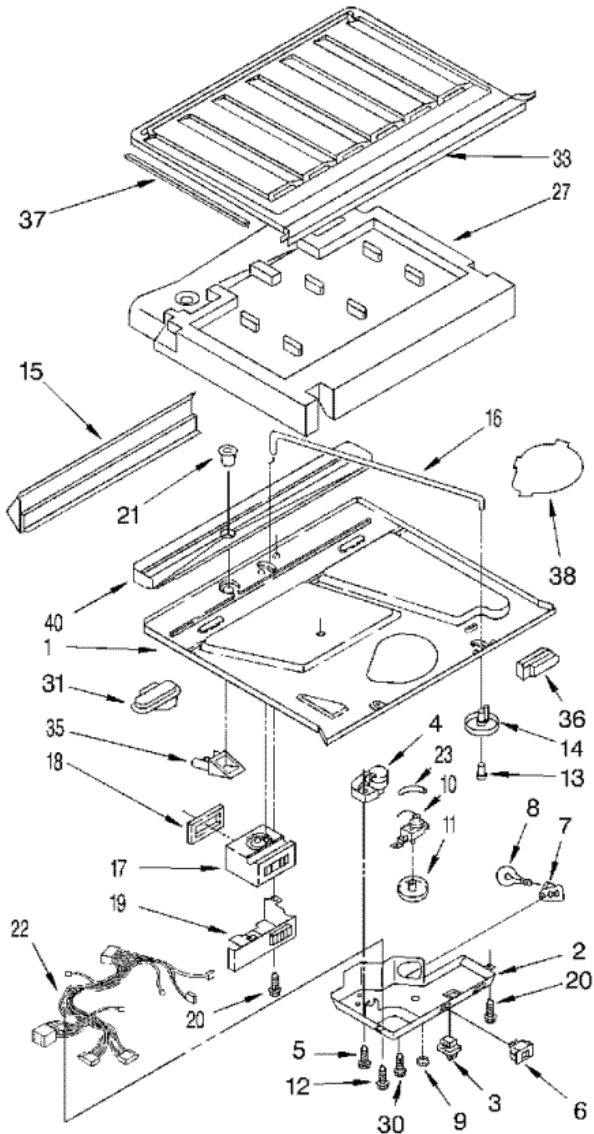
1	*****	LINER DESCONTINUADO
2	2151181	COVER, AIR DUCT (S/P)
4	941839	HOLE PLUG (3) (S/P)
8	1108519	STUD, EVAPORATOR (S/P)
9	2150905	AIR DEFLECTOR SIDE (S/P)
10	2150906	AIR DEFLECTOR TOP (S/P)
11	2151280	SCREW, 8-32 (S/P)
12	939065	STUD, HOOK (S/P)
15	489242	SCREW (S/P)
16	482731	MOTOR, FAN
17	1100938	BLADE, FAN
18	531933	GROMMET (S/P)
21	489168	SCREW (S/P)
23	2178956	SCROLL, FAN (S/P)
24	1108509	EVAPORATOR COVER (S/P)
26	2190688	HOLE COVER, EVAPORATOR (S/P)
27	1103725	HOLE PLUG (S/P)
28	939203	SUPPORT, STUD
29	1108523	CLIP, GROUND (S/P)
31	935704	COVER TUBE, REAR (S/P)
32	941776	COVER TUBE, BOTTOM (S/P)
33	489196	SCREW (S/P)

Distribuidor Autorizado

SurteRápido.com

Venta de Refacciones
Electrodomesticas

RT12DKXDL00 COMPARTMENT SEPARATOR





RT12DKXDL00 COMPARTMENT SEPARATOR

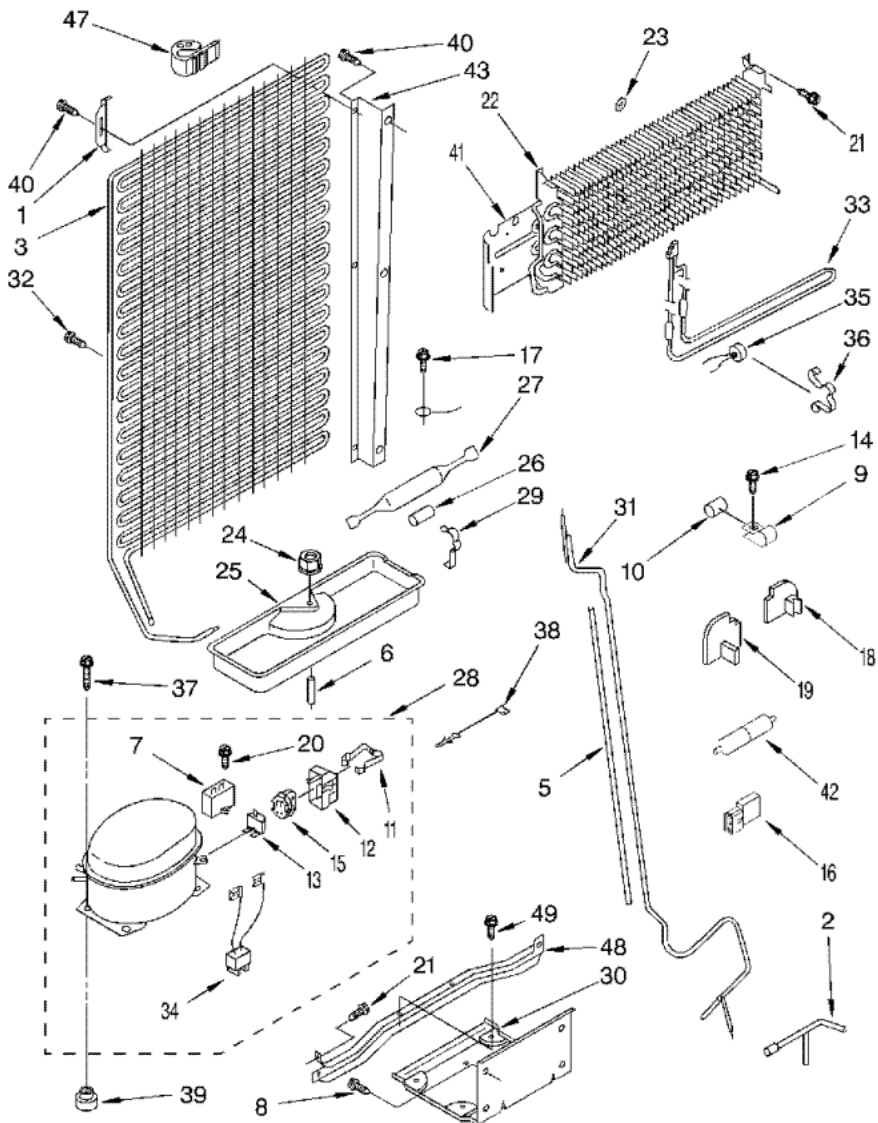
1	1114546	BOTTOM, COMPARTMENT SEPARATOR (S/P)
2	935724	BOX, CONTROL
3	1118894	SWITCH, ROCKER ARM (S/P)
4	2183400	TIMER, DEFROST
5	488693	SCREW, 6-20 X 1/2 (S/P)
6	938049	SWITCH, TOGGLE
7	4387478	SOCKET, LIGHT
8	946059	BULB, LIGHT (S/P)
9	940014	HOLE PLUG (S/P)
10	819470	THERMOSTAT BARRIER ASSEMBLY
11	937144	KNOB, THERMOSTAT (S/P)
12	488500	SCREW, 8-32 X 3/8 (S/P)
13	1111792	RETAINER, KNOB (S/P)
14	1111737	KNOB, AIR CONTROL (S/P)
15	2159734	GASKET, BOTTOM SEPERATOR (S/P)
16	1104579	ROD, CONNECTING (S/P)
17	1118973	AIR DIFFUSER ASSEMBLY (S/P)
18	2157255	GASKET, AIR DIFFUSER (S/P)
19	1108522	COVER, AIR DIFFUSER (S/P)
20	489242	SCREW (S/P)
21	937359	SEPARATOR, DRAIN INSERT (S/P)
22	2151194	WIRING, ASSEMBLY CONTROL BOX (S/P)
23	2196003	THERMOSTAT TUBE BARRIER (S/P)
27	1114430	INSULATION, COMPARTMENT DESCONTINUADO
30	488624	SCREW, 8 X 3/8 (S/P)
31	1108521	HOOD, AIR RETURN (S/P)
33	1128228	SEPARATOR, COMPARTMENT DESCONTINUADO
35	937065	CUP, DRAIN (S/P)
36	939056	REAR CORNER, BLOCK (S/P)
37	1114468	GASKET (S/P)
38	937227	HEAT SHIELD (S/P)
40	1108512	DRAIN PAN (S/P)

Distribuidor Autorizado

SurteRápido.com

Venta de Refacciones
Electrodomesticas

RT12DKXDL00 UNIT



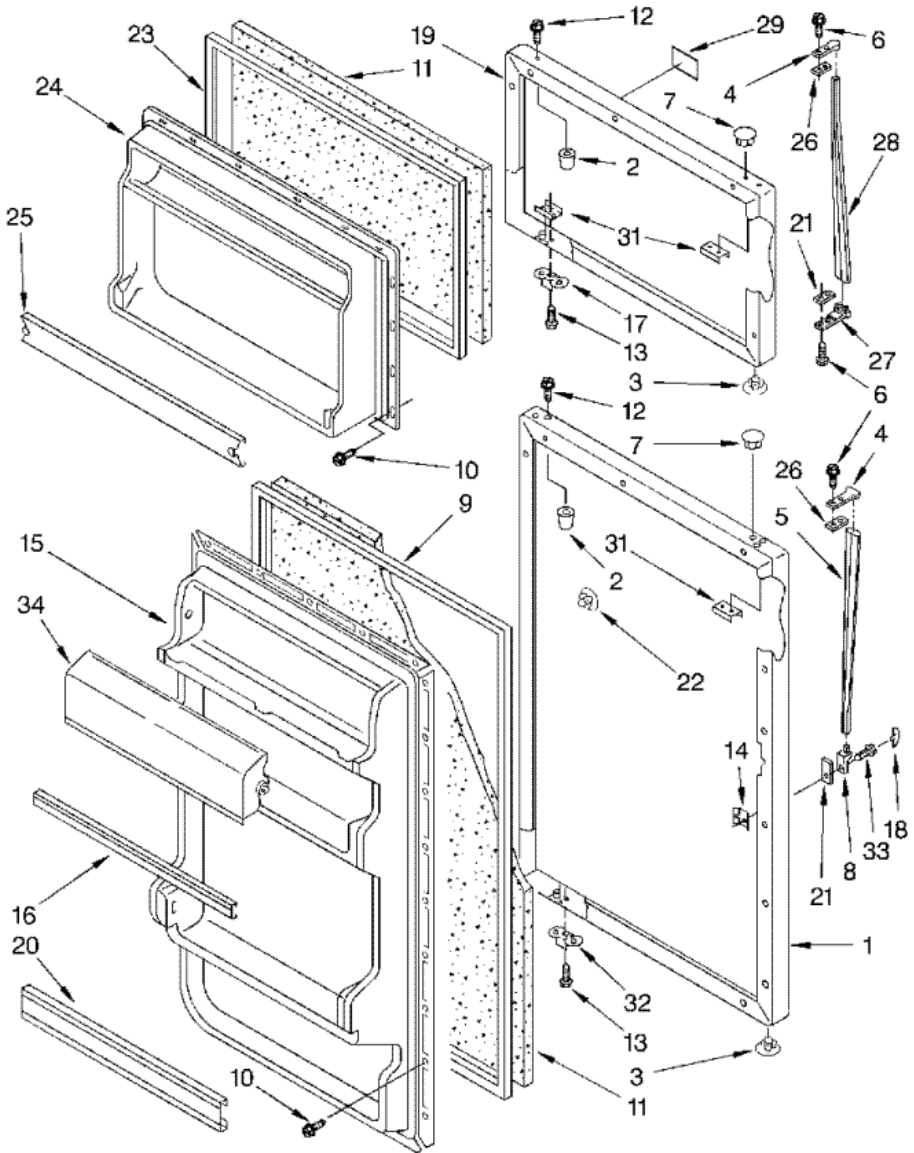


RT12DKXDL00 UNIT

1	2150555	BRACKET (S/P)
2	2172204	TUBE EXTENSION ASSEMBLY (S/P)
3	2151362	CONDENSER ASSEMBLY (S/P)
5	2002171	SLEEVE (S/P)
6	941517	SPACER (S/P)
7	2169373	RUNNING CAPACITOR (SERVICE)
8	489048	SCREW (S/P)
9	510716	TUBE CLAMP (S/P)
10	1108064	DAMPENER (S/P)
11	938384	RETAINER (SERVICE ONLY) (S/P)
12	1108115	COVER, TERMINAL (SERVICE) (S/P)
12	2162358	COVER, TERMINAL (PRODUCTION) (S/P)
13	2154758	OVERLOAD (INCLUDES RELAY) DESCONTINUADO
14	488197	SCREW, 8-32 X 1/2 (S/P)
15	*****	RELAY (SEE OVERLOAD) DESCONTINUADO
16	717253	HOUSING PLUG (S/P)
17	488879	SCREW, GROUND (S/P)
18	2150558	SIDE BLOCK, RIGHT EVAPORATOR (S/P)
19	2150946	SIDE BLOCK, LEFT EVAPORATOR (S/P)
20	488687	SCREW, 8 X 5/8 A (S/P)
21	488683	SCREW (S/P)
22	1108531	EVAPORATOR (S/P)
23	1108520	RETAINER, EVAPORATOR (S/P)
24	285002	NUT (S/P)
25	2176668	TRAY, EVAPORATOR
26	510446	RESTRICTOR SLEEVE (S/P)
27	4387019	DRYER (S/P)
28	482801	TRAY MOUNTING KIT (S/P)
28	876765	TUBE KIT (S/P)
28	4388007	COMPRESSOR (S/P)
29	1127590	CLAMP, DRYER (S/P)
30	1118781	UNIT MOUNTING PLATE (S/P)
31	1116647	EXCHANGER, HEAT (S/P)

32	487415	SCREW (S/P)
33	2151192	HEATER, DEFROST (S/P)
34	2172890	CAPACITOR WIRING (PRODUCTION) (S/P)
34	2172890	CAPACITOR WIRING (SERVICE) (S/P)
35	482675	BI-METAL, DEFROST
36	1110548	CLAMP (S/P)
37	4388295	SCREW (S/P)
38	1101124	OVERLOAD WIRING (WHITE) (S/P)
38	1101125	OVERLOAD WIRING (RED) (S/P)
39	4388295	GROMMET (S/P)
40	489242	SCREW (S/P)
41	1108486	HEAT SHIELD, EVAPORATOR (S/P)
42	1103820	MUFFLER (S/P)
43	2150553	CHANNEL, CONDENSER (RIGHT) (S/P)
43	2150554	CHANNEL, CONDENSER (LEFT) (S/P)
47	2150954	BUMPER (2) (S/P)
48	945449	UNIT MOUNTING RAIL (S/P)
49	978025	VALVE, ACCESS (1/4") (S/P)
49	978027	VALVE, ACCESS (3/8") (S/P)
49	978028	VALVE, ACCESS (1/2") (S/P)
49	978026	VALVE, ACCESS (5/16") (S/P)
49	978029	VALVE, ACCESS (5/8") (S/P)
49	876764	VALVE, ACCESS (3/16") (S/P)
49	978030	VALVE, ACCESS (3/4") (S/P)
49	487248	SCREW (S/P)

RT12DKXDL00 DOOR



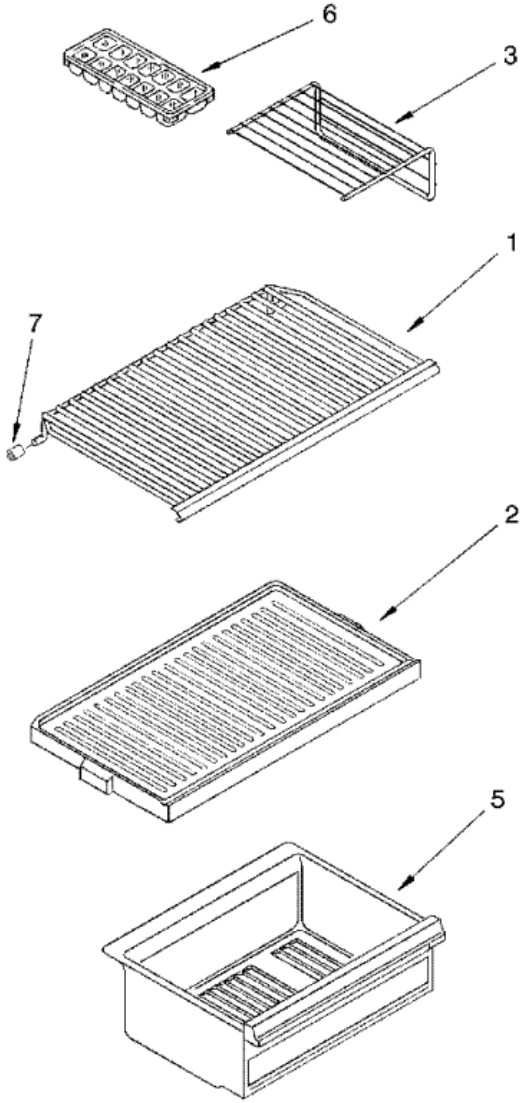


RT12DKXDL00 DOOR

1	946391	REFRIGERATOR DOOR PANEL (WHITE) (S/P)
1	946469	REFRIGERATOR DOOR PANEL (ALMOND) (S/P)
2	509929	CAP, HINGE SLEEVE
3	534927	HOLE PLUG (2) (ALMOND)
4	1108952	END CAP, HANDLE
5	2173344	HANDLE CENTER (S/P)
6	489006	SCREW (S/P)
7	2212648	HOLE PLUG (WHITE) (S/P)
7	989196	HOLE PLUG (ALMOND) (S/P)
8	2183141	END CAP, HANDLE (S/P)
9	2188446A	DOOR GASKET, MAGNETIC (S/P)
10	489101	SCREW, 7 X 1/2 (S/P)
11	876029	FOAM INSULATION (S/P)
12	489028	SCREW (S/P)
13	488921	SCREW (S/P)
14	939101	SCREW ANCHOR (S/P)
15	2151209	INTERIOR DOOR PANEL (REFRIGERATOR) (S/P)
16	2163273	TRIM, DOOR SHELF (S/P)
17	2183805	BRACKET DOOR STOP (S/P)
18	1101634	COVER, SCREW (S/P)
19	946473	FREEZER DOOR PANEL (ALMOND) (S/P)
19	946393	FREEZER DOOR PANEL (WHITE) (S/P)
20	2151330	TRIM, DOOR SHELF (S/P)
21	943188	SPACER, HANDLE (S/P)
22	2189000	HOLE PLUG (WHITE) (S/P)
22	2189008	HOLE PLUG (ALMOND) (S/P)
23	2188464A	DOOR GASKET, MAGNETIC (S/P)
24	2172478	INTERIOR DOOR PANEL (FREEZER) (S/P)
25	2151336	TRIM, DOOR SHELF (S/P)
26	943187	SHIM (S/P)
27	2191880	END CAP, HANDLE (S/P)
28	2173344	HANDLE, CENTER (S/P)
29	2163676	NAMEPLATE (S/P)

31	2183198	TAP PLATE (S/P)
32	2183805	BRACKET, DOOR STOP (S/P)
33	487909	SCREW (S/P)
34	606755	BAG, INSULATION (36-5/8`` X 46) (S/P)
34	72032	BRUSH TOUCH-UP KIT (BLACK) (S/P)
34	72107	BRUSH TOUCH-UP KIT (ALMOND) (S/P)
34	799833	KIT, EVAPORATOR REPAIR DESCONTINUADO
34	978883	ENAMEL, ALMOND (1 QT. UNCUT) (S/P)
34	876370	INSULATION FIBERGLASS (S/P)
34	503695	CORK SEALER (1/4 POUND) (S/P)
34	511873	PAINT, TOUCH-UP 1/2 OZ. (S/P)
34	2148606	COMPARTMENT DOOR (S/P)
34	350930	XENAMEL, WHITE (13 OZ. SPRAY CAN) (S/P)
34	350942	XPRIMER, WHITE (13 OZ. SPRAY CAN) (S/P)
34	350956	XENAMEL, ALMOND (13 OZ. SPRAY CAN) (S/P)
34	212643	SEALER, GUM (4 FEET) (S/P)
34	505587	SEALER, MASTIC (1 QT.) (S/P)
34	876370	KIT, INSULATION (2 PCS. 3`` X 24 `` X 48``) (S/P)
34	72017	BRUSH TOUCH-UP KIT (WHITE) (S/P)
34	479502	TAPE, VINYL (3/4`` X 108``) (S/P)
34	542638	GREASE, SILICONE (1/2 OZ.) (S/P)
34	876029	KIT, FOAM SLAB (30`` X 32-1/2`` X 1-1/2``) (S/P)
34	833938	KIT, TERMINAL CONNECTOR (S/P)
34	799344	ENAMEL, WHITE (1 QT. UNCUT) (S/P)
34	2148984	DOOR REVERSAL INSTRUCTIONS (S/P)
34	4317852	CEMENT, ALUMILASTIC (1-1/4 OZ.) (S/P)
34	786032	ENAMEL, BLACK (1 QT. UNCUT) (S/P)
34	830864	XENAMEL, BLACK (13 OZ. SPRAY CAN) (S/P)

RT12DKXDL00 SHELF





RT12DKXDL00 SHELF

1	2217782	SHELF, PULLOUT (2) (S/P)
2	1128423	COVER, CRISPER (S/P)
3	2147583	SHELF, FREEZER (S/P)
5	2191722	PAN, CRISPER DESCONTINUADO
6	841180A	TRAY, ICE (2) (S/P)
7	845287	BUMPER (S/P)