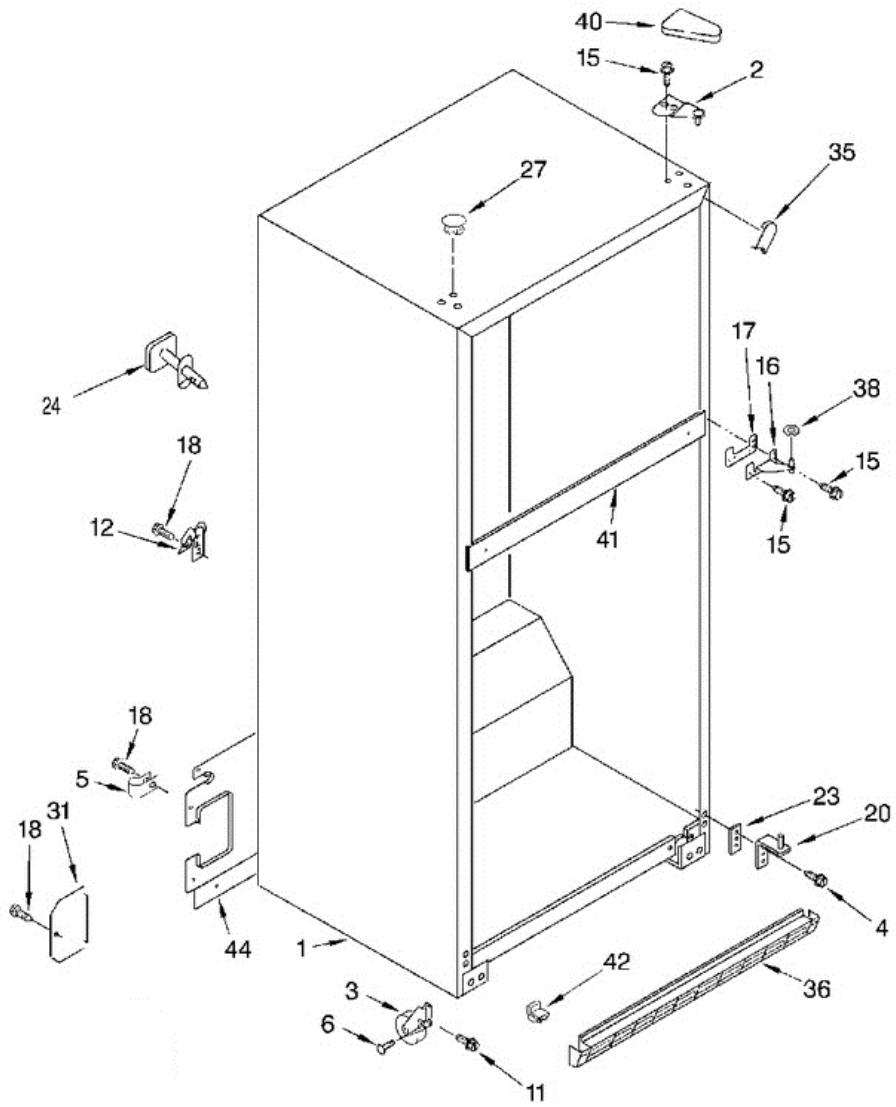


RT18DKXFW01 CABINET

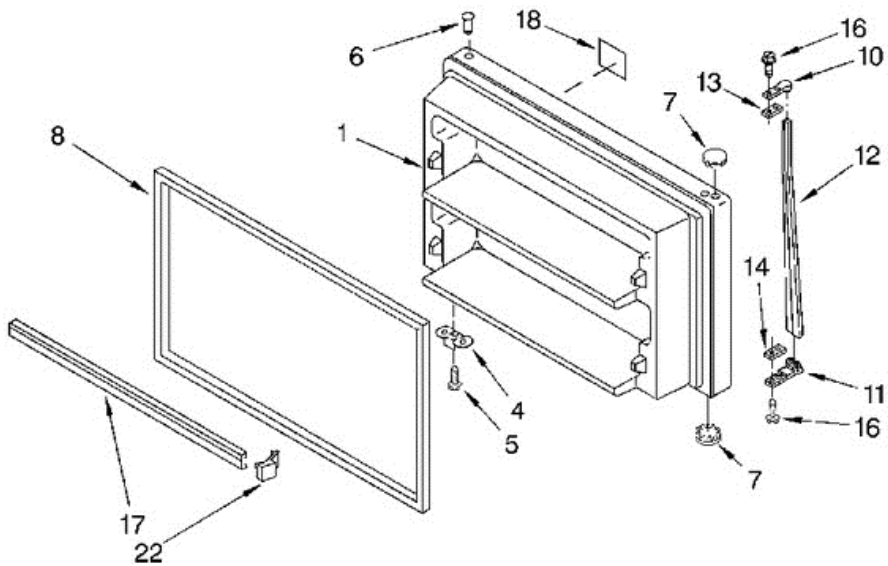




RT18DKXFW01 CABINET

1	N/A	CABINET (NOT A SERVICEABLE PART)
2	2157591	HINGE, TOP
3	2166108	ROLLER, FRONT (2)
4	489459	SCREW
5	489385	CLAMP, TUBE (WATER SUPPLY LINE)
6	2179826	RIVET
11	2174650	SCREW
12	549193	CLAMP, CORD
15	489423	SCREW
16	2183972	HINGE, CENTER
17	2183854	SHIM, HINGE CENTER
18	489464	SCREW
20	2189194	HINGE BUTT
23	2172743	SHIM, BOTTOM HINGE
24	N/A	FITTING, WATER TUBE (NOT SERVICED)
27	2151652	HOLE PLUG (12) (WHITE)
27	2151653	HOLE PLUG (12) (ALMOND)
31	2166251	COVER, WATER VALVE
35	2163733	CORNER FILLER (2) (WHITE)
35	2166187	CORNER FILLER (2) (ALMOND)
36	2189157	GRILLE (WHITE)
36	2189158	GRILLE (ALMOND)
38	487576	WASHER
40	2160403	COVER-HINGE (WHITE)
40	2160404	COVER, HINGE (ALMOND)
41	N/A	RAIL CENTER (NOT SERVICED)
42	2166156	CORNER FILLER, GRILLE (WHITE)
42	2166204	CORNER FILLER, GRILLE (ALMOND)
44	2189059	COVER, UNIT

RT18DKXFW01 FREEZER DOOR

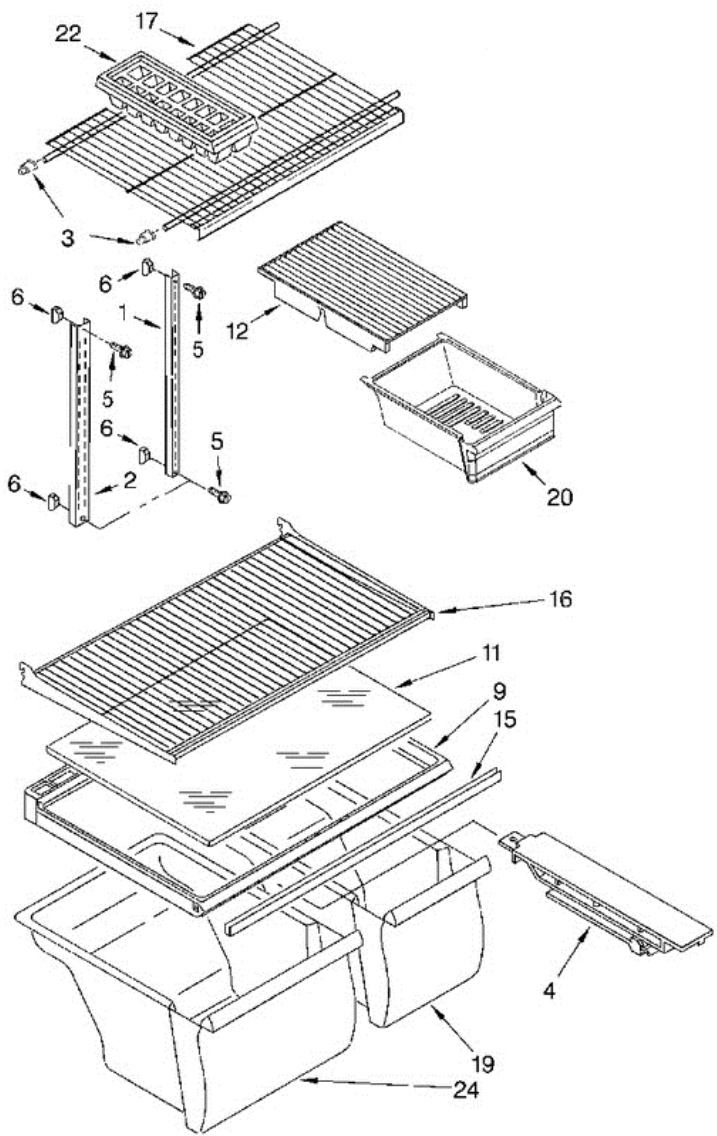




RT18DKXFW01 FREEZER DOOR

1	2182487	FREEZER DOOR (INCLUDES NO.6 & NO.8) (WHITE)
1	2182491	FREEZER DOOR (INCLUDES NO.6 & NO.8) (ALMOND)
4	2189202	BRACKET, DOOR STOP
5	488921	SCREW, 8 X 1/2
6	2183003	THIMBLE
7	844478	HOLE PLUG (WHITE)
7	989196	HOLE PLUG (ALMOND)
8	2159327	DOOR GASKET, MAGNETIC
10	1108955	HANDLE END, TOP
11	1108952	HANDLE END
12	2173344	HANDLE, CENTER
13	943187	SHIM, HANDLE
14	943188	SPACER, HANDLE DOOR PANEL
16	489006	SCREW, 8 X 5/8
17	2171282	TRIM, DOOR SHELF (2)
18	2163676	NAMEPLATE
22	2195916	ENDCAP, TRIM (4)
100	2182569	FEATUREPAK (INCL. 17,22) ALSO SEE REF.

RT18DKXFW01 SHELF

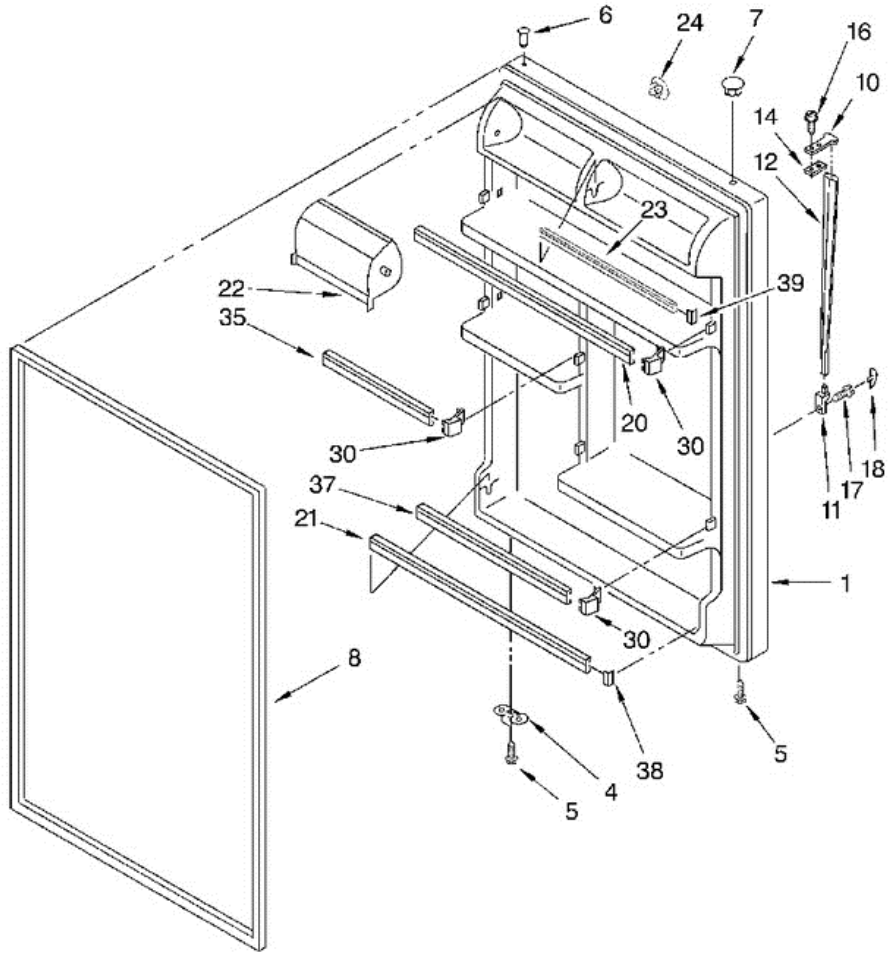




RT18DKXFW01 SHELF

1	2163756	SHELF, LADDER (2)
2	2163826	SHELF, LADDER CENTER
3	2163762	CUP, SHELF MTG.
4	2163835	TRACK, CRISPER
5	489415	SCREW
6	520965	SCREW SUPPORT
9	2195342	COVER, CRISPER
11	2169921	GLASS, CRISPER COVER
12	2163848	PAN, COVER
15	2172541	CRISPER SUPPORT
16	2163856	SHELF, FULL CANTILEVER (2)
17	2176275	SHELF, FREEZER
19	2166257	PAN, CRISPER
20	2169919	PAN, MEAT
22	841180	ICE TRAY
24	2166256	PAN, CRISPER
100	2182569	FEATUREPAK (INCL. 12,20) ALSO SEE REF.

**RT18DKXFW01 REFRIGERATOR
 DOOR**

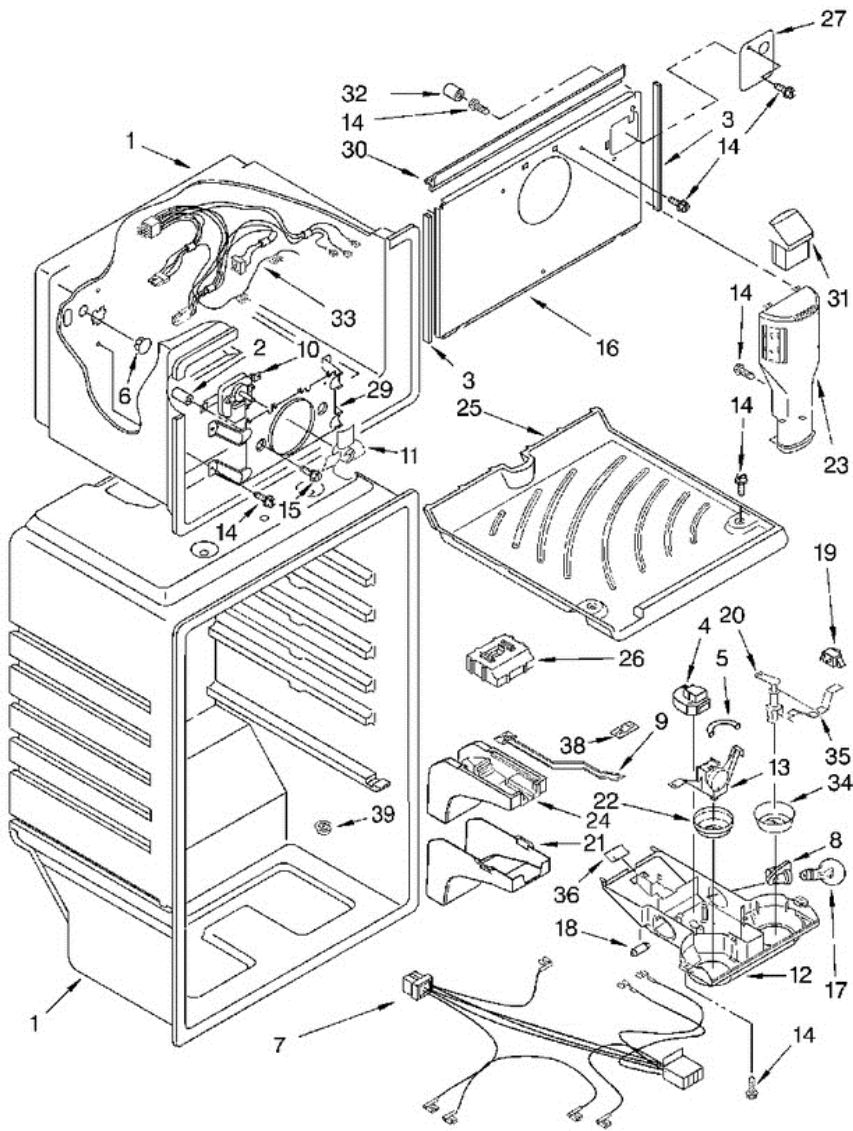




RT18DKXFW01 REFRIGERATOR DOOR

1	2183948	REFRIGERATOR DOOR (INCL. NO.6 & NO.8) (WHITE)
1	2183949	REFRIGERATOR DOOR (INCL. NO.6 & NO.8) (ALMOND)
4	2189202	BRACKET, DOOR STOP
5	488921	SCREW, 8 X 1/2
6	2183003	THIMBLE
7	844478	HOLE PLUG (WHITE)
7	989196	HOLE PLUG (ALMOND)
8	2159057	DOOR GASKET, MAGNETIC
10	1108952	HANDLE END
11	2183140	HANDLE END, SIDE
12	1109166	HANDLE, CENTER
14	943188	SPACER, HANDLE DOOR
16	489006	SCREW, 8 X 5/8
17	487909	SCREW, 8 X 1/2
18	1110059	SCREW COVER
20	2195365	TRIM, DOOR SHELF
21	2177260	TRIM, DOOR SHELF
22	2171036	DOOR, COMPARTMENT
23	2180027	TRIM, DOOR SHELF
24	2189000	HOLE PLUG, HANDLE (WHITE)
24	2189008	HOLE PLUG, HANDLE (ALMOND)
30	2195915	ENDCAP-TRIM (2)
35	2195366	TRIM, DOOR SHELF
37	2195367	TRIM, DOOR SHELF
38	2156006	PLUG-TRIM (2)
39	2156007	PLUG-TRIM (2)
100	2182569	FEATUREPAK (INCLUDES 20,21, 22,23,30,35,37, 38,39)

RT18DKXFW01 LINER



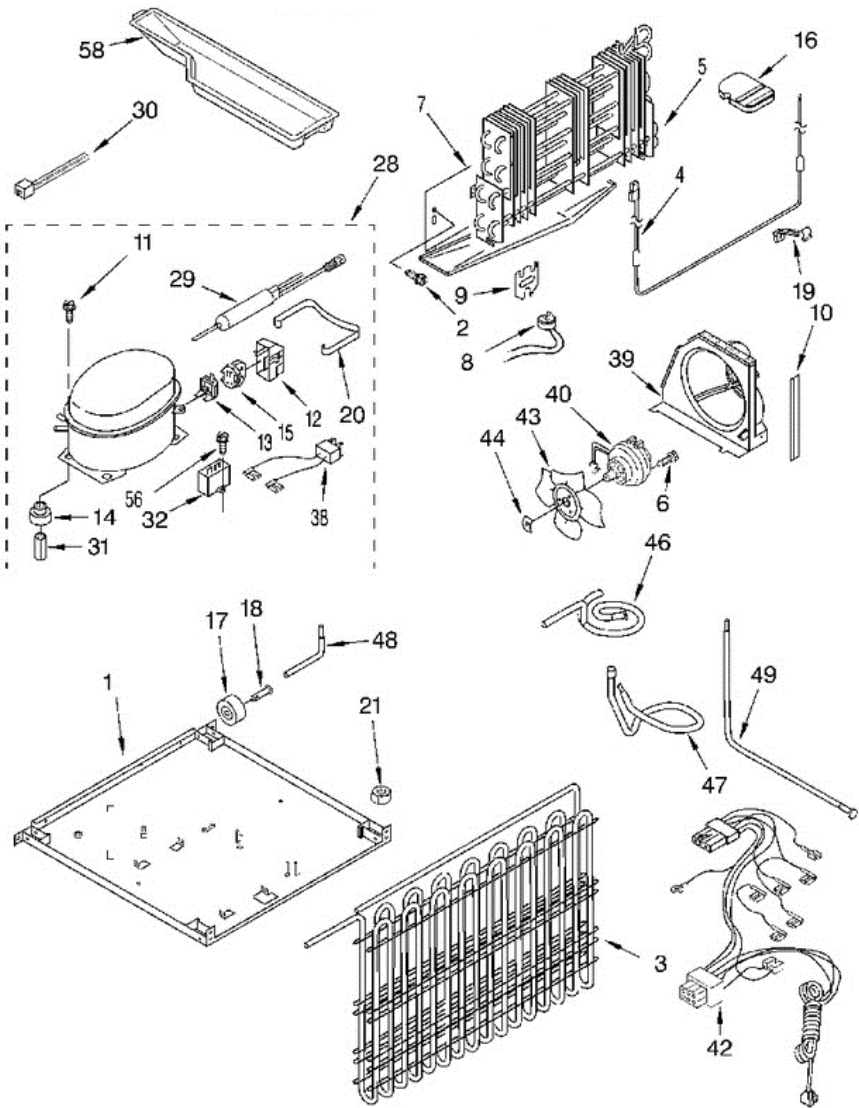


RT18DKXFW01 LINER

1	N/A	LINER (NOT A SERVICEABLE PART)
2	531933	GROMMET (2)
3	2166181	GASKET, EVAPORATOR COVER (SIDE)
4	2193084	TIMER, DEFROST
5	549512	THERMOSTAT TUBE BARRIER
6	941839	HOLE PLUG
7	2193493	WIRE ASSY. CONTROL BOX
8	2162085	SOCKET, LIGHT (2)
9	2195603	DAMPER, AIR
10	2183833	FAN MOTOR
11	2163777	BLADE, FAN
12	2179790	CONTROL BOX
13	2193304	THERMOSTAT ASSY. (INCLUDES ITEMS 5, 18, & 36)
14	489478	SCREW
15	489412	SCREW
16	2183154	COVER, EVAPORATOR
17	527949	LIGHT BULB (2)
18	2163802	WEIGHT, THERMAL
19	1118894	ROCKER ARM SWITCH
20	2179859	POST, DAMPER
21	2176281	COVER, AIR DIFFUSER
22	2193455	KNOB, THERMOSTAT
23	2182340	AIR TOWER
24	2176280	AIR DIFFUSER, BOTTOM
25	2172565	FREEZER FLOOR
26	2179877	AIR DIFFUSER, TOP
27	2190688	COVER, HOLE
29	2163827	BRACKET, FAN MOTOR
30	2166178	GASKET, EVAPORATOR COVER (TOP)
31	2174629	AIR RETURN & FOIL ASSEMBLY
32	487996	CAP
33	2195656	WIRE ASSEMBLY, FREEZER COMPARTMENT
34	2176297	KNOB, DAMPER

35	2163810	BRACKET, DAMPER KNOB
36	2172532	SEAL, REAR THERMOSTAT
38	2176341	CLIP, DEFROST TIMER
39	2171846	VALVE, RELEASE

RT18DKXFW01 UNIT





RT18DKXFW01 UNIT

1	2195273	PLATE, UNIT MOUNTING
2	489478	SCREW
3	2195400	CONDENSER
4	2176300	HEATER, DEFROST
5	2195391	EVAPORATOR ASSY.
6	489494	SCREW
7	2172619	DRAIN PAN
8	2182380	DEFROST BIMETAL
9	2176301	BRACKET, HEATER
10	2163780	EXTENSION, AIR BAFFLE
11	489473	SCREW
12	1105055	COVER (PRODUCTION)
12	4387731	COVER ((SERVICE))
13	2183409	OVERLOAD (PRODUCTION)
13	4387766	OVERLOAD ((SERVICE - INCLUDES RELAY))
14	2183042	GROMMET (4) (PRODUCTION)
14	4387558	GROMMET (4) (SERVICE)
15	2176806	RELAY (PRODUCTION SERVICE (SEE OVERLOAD))
16	2176302	SUPPORT BLOCK
17	836054	ROLLER (2)
18	2179826	RIVET
19	2182338	CLIP, HEATER
20	943322	STRAP, COVER (PRODUCTION ONLY)
21	N/A	NUT (NOT SERVICED)
28	2183439	COMPRESSOR (INCL, 12, 13, 11, 15, 29, 31, 32, 38 & 56)
29	2174865	DRIER
30	2155774	CLAMP
31	4387559	SLEEVE (4) (SERVICE ONLY)
32	2169137	CAPACITOR (SERVICE ONLY)
38	2172890	WIRE ASSEMBLY
39	2195677	AIR BAFFLE
40	2176336	MOTOR, CONDENSER
42	2189997	WIRE ASSY. UNIT

43	2190685	BLADE, FAN
44	486692	NUT
46	2184451	TUBE, DISCHARGE
47	2182475	TUBE, SUCTION
48	2154109	TUBE, PROCESS
49	2174670	TUBE, CONDENSER TO HEAT LOOP
56	487240	SCREW
58	212643	SEALER, GUM (4 FEET)
58	2163795	EVAP. TRAY
58	2172516	DOOR REVERSAL INSTRUCTIONS
58	350930	PAINT, PRESSURIZED SPRAY 12 OZ.) (WHITE)
58	350939	ENAMEL, BLACK (13 OZ. SPRAY CAN)
58	350942	PRIMER WHITE (13 OZ. SPRAY CAN)
58	350956	PAINT, SPRAY 13 OZ. (ALMOND)
58	479502	TAPE, VINYL (3/4 X 108``)
58	482278	START KIT
58	503695	CORK, SEALER (1/4 POUND)
58	505587	SEALER, MASTIC (1 QT.)
58	511873	PAINT, TOUCH-UP 1/2 OZ. (WHITE PORCELAIN)
58	542638	GREASE, SILICONE (1/2 OZ.)
58	542639	CEMENT, ALUMILASTIC (1-1/4 OZ.)
58	606755	BAG, INSULATION (36-5/8`` X 46``)
58	72017	PAINT, TOUCH-UP (1/2OZ.) (WHITE)
58	72032	PAINT, TOUCH-UP (1/2OZ.) (BLACK)
58	72107	PAINT, TOUCH-UP (1/2OZ.) (ALMOND)
58	799344	PAINT, BULK (1 QT.) (WHITE (UNCUT))
58	799832	KIT, PORCELAIN REPAIR (WHITE)
58	799833	KIT, EVAPORATOR REPAIR (ALUMINUM EPOXY)
58	833938	KIT, TERMINAL CONNECTOR
58	876029	KIT, FOAM SLAB (30`` X 32-1/2`` X 1-1/2``)
58	876305	KIT, INSULATION (14 PCS. 3`` X 24`` X 48``)
58	876370	KIT, INSULATION (2 PCS.) 3`` X 24`` X 48``)
58	876764	VALVE, ACCESS (3/16``)
58	978025	VALVE, ACCESS (1/4``)
58	978026	VALVE, ACCESS (5/16``)
58	978027	VALVE, ACCESS (3/8``)
58	978028	VALVE, ACCESS (1/2``)
58	978029	VALVE, ACCESS (5/8``)

58	978030	VALVE, ACCESS (3/4``)
58	978883	ENAMEL, ALMOND (1 QT. UNCUT)
58	978941	INSULATION, FIBERGLASS (63-1/2`` X 35-1/2`` X 2-5/8``)