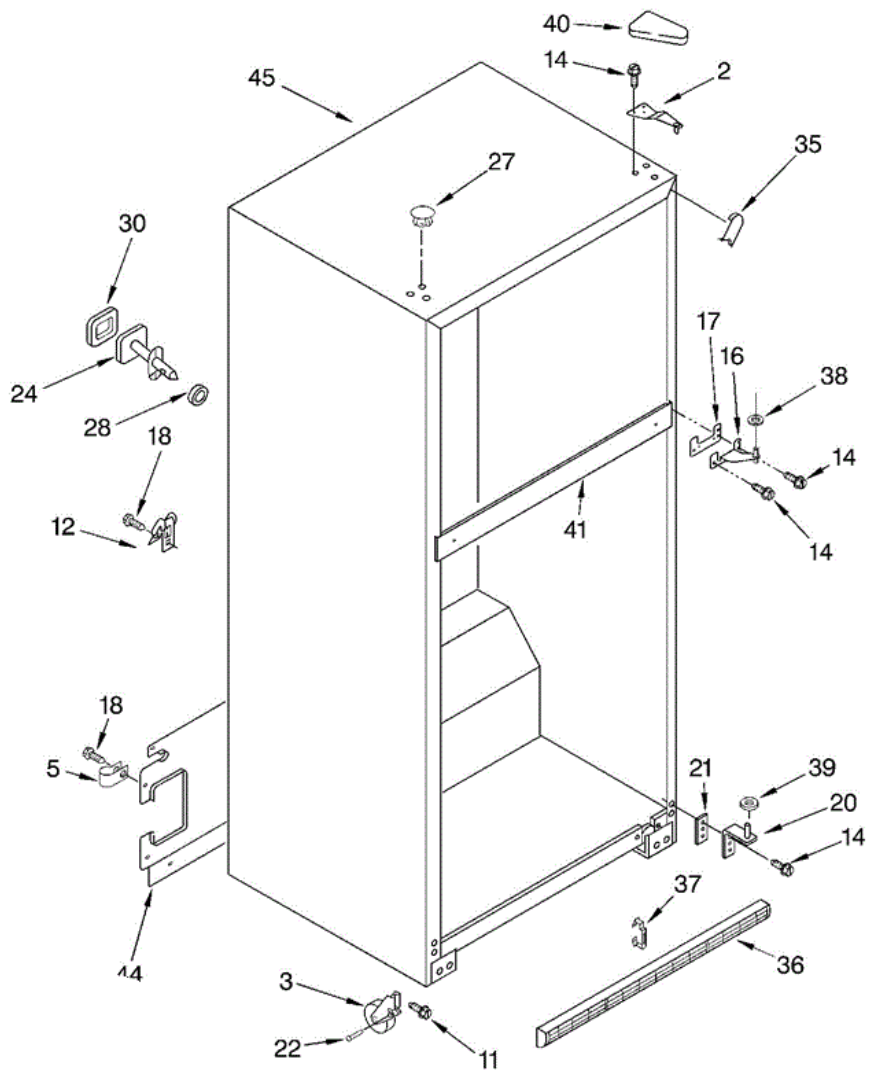


RT21SKXJW00 CABINET

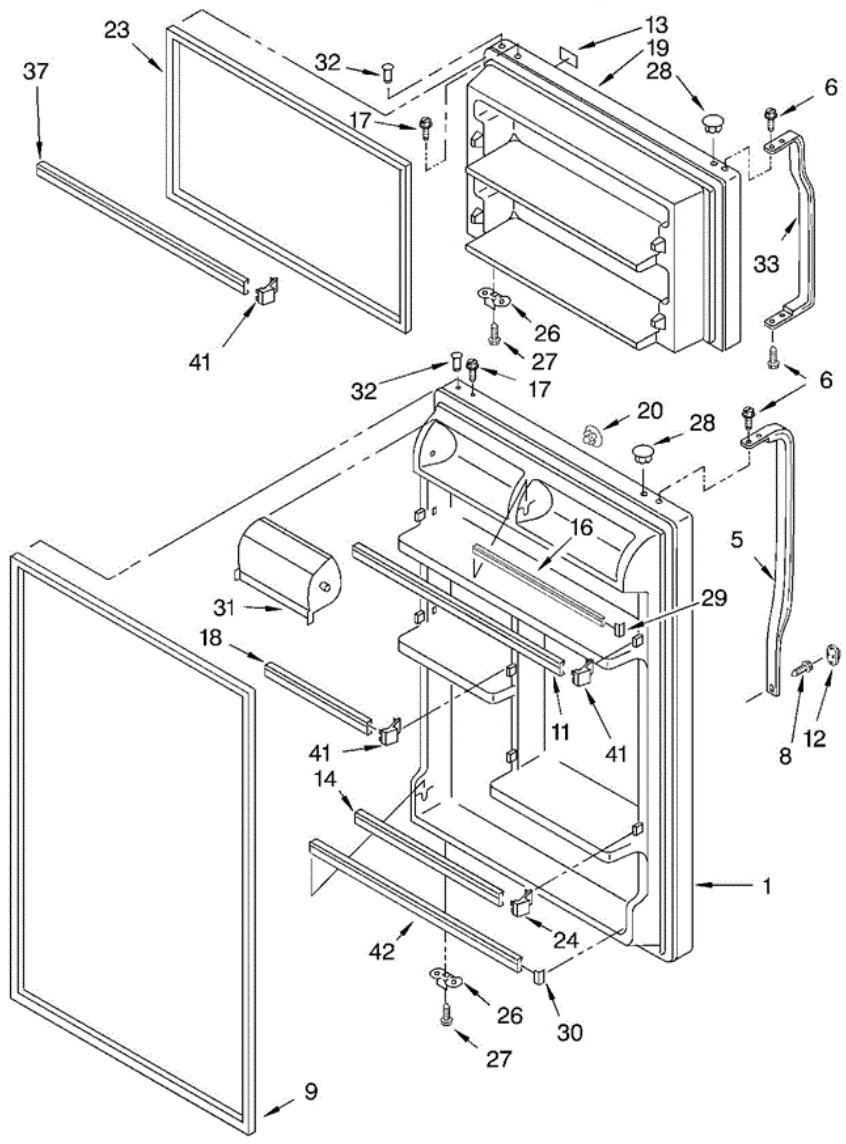




RT21SKXJW00 CABINET

2	2189410	HINGE (TOP)
3	2166108	ROLLER, FRONT (2)
5	489385	CLAMP, TUBE (WATER SUPPLY LINE)
11	3400504	SCREW
12	549193	CLAMP, CORD
14	489497	SCREW
16	2183972	HINGE, CENTER
17	2183854	SHIM, HINGE CENTER
18	3400881	SCREW
20	2189194	HINGE BUTT
21	2172743	SHIM, BOTTOM HINGE
22	2179826	RIVET
24	N/A	FITTING, WATER TUBE (NOT SERVICED)
27	2201012	HOLE PLUG (6) (WHITE)
27	2201013	HOLE PLUG (6) (ALMOND)
28	N/A	SEAL, FRONT (NOT SERVICED)
30	N/A	SEAL, REAR (NOT SERVICED)
35	2201014	CORNER FILLER (2) (WHITE)
35	2201015	CORNER FILLER (2) (ALMOND)
36	2201006	GRILLE (WHITE)
36	2201007	GRILLE (ALMOND)
37	2189356	CLIP, GRILLE
38	489341	WASHER
39	487576	WASHER
40	2160403	COVER-HINGE (WHITE)
40	2160404	COVER, HINGE (ALMOND)
41	N/A	RAIL CENTER (NOT SERVICED)
44	2189476	COVER, UNIT

RT21SKXJW00 DOOR



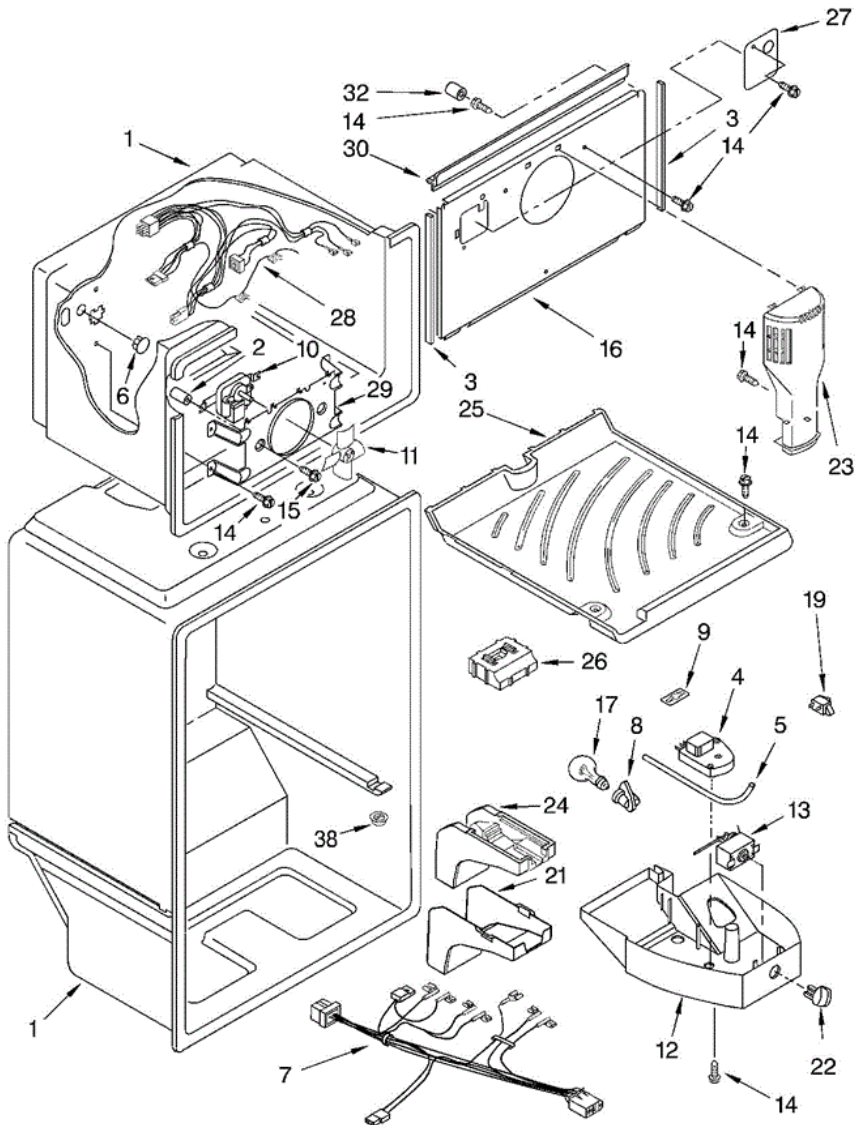


RT21SKXJW00 DOOR

1	2183946	REFRIGERATOR DOOR (INCLUDES NO.9 & NO.32) (WHITE)
1	2183947	REFRIGERATOR DOOR (INCLUDES NO.9 & NO.32) (ALMOND)
5	2202807N	HANDLE CENTER (ALMOND)
5	2202807W	HANDLE CENTER (WHITE)
6	489357	SCREW
8	8281146	SCREW
9	2159061	DOOR GASKET, MAGNETIC
11	2201061	TRIM, DOOR SHELF
12	2202819N	COVER, SCREW (ALMOND)
12	2202819W	COVER, SCREW (WHITE)
13	2200503	NAMEPLATE (WHITE)
13	2200504	NAMEPLATE (ALMOND)
14	2195943	TRIM, DOOR SHELF
16	2195378	TRIM, DOOR SHELF
17	489028	SCREW
18	2201062	TRIM, DOOR SHELF
19	2182489	FREEZER DOOR (INCL. NO. 23 & NO. 32) (WHITE)
19	2184400	FREEZER DOOR (INCL. NO.23 & NO.32) (ALMOND)
20	2189000	HOLE PLUG (WHITE)
20	2189008	HOLE PLUG (ALMOND)
23	2159060	DOOR GASKET, MAGNETIC
24	2195915	ENDCAP (2)
26	2189202	BRACKET, DOOR STOP (2)
27	488921	SCREW
28	844478	HOLE PLUG (WHITE)
28	989196	HOLE PLUG (ALMOND)
29	2156007	PLUG, TRIM
30	2156006	PLUG, TRIM
31	2205233	COMPARTMENT DOOR
32	2183003	THIMBLE
33	2202806N	HANDLE, F.C. (ALMOND)
33	2202806W	HANDLE, F.C. (WHITE)

37	2201060	TRIM-DOOR (2)
41	2156003	ENDCAP (6)
42	2195948	TRIM, DOOR

RT21SKXJW00 LINER





RT21SKXJW00 LINER

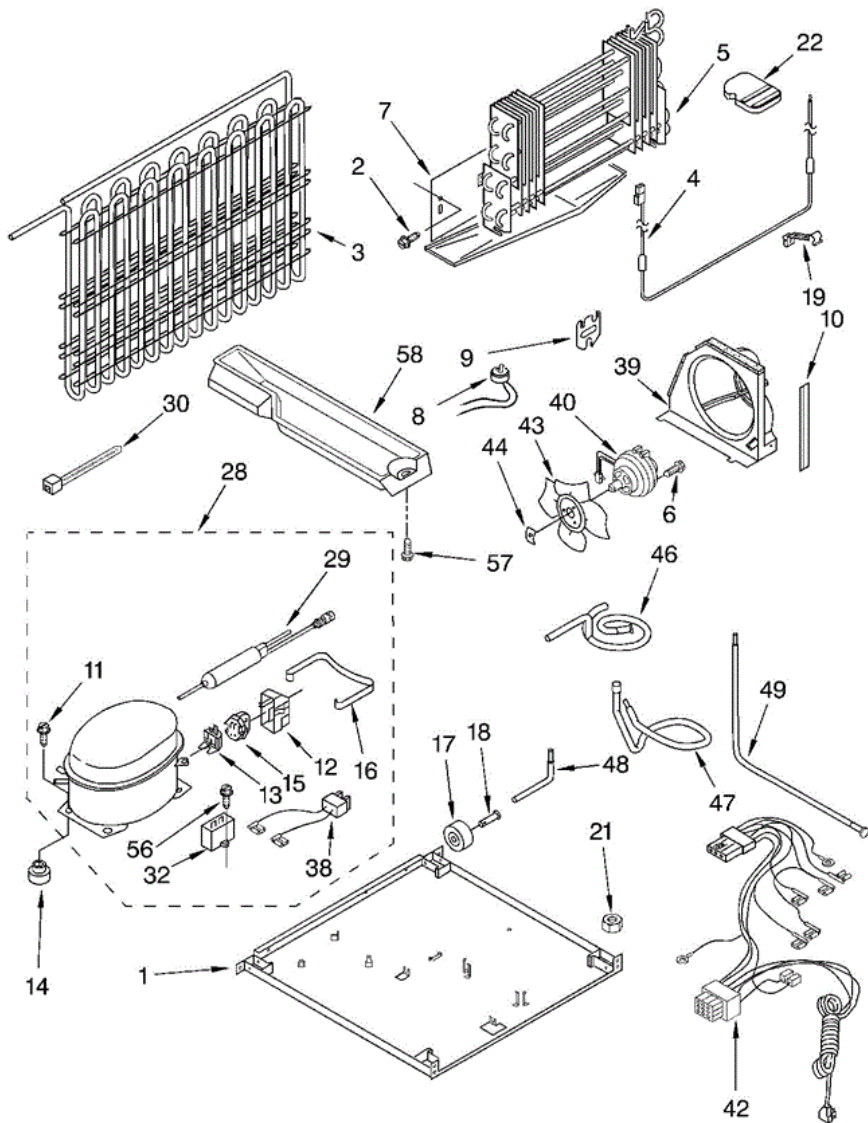
1	N/A	LINER (NOT A SERVICEABLE PART)
2	531933	GROMMET (2)
3	2189269	GASKET, EVAPORATOR COVER (SIDE)
4	2193084	TIMER, DEFROST
5	2204640	THERMOSTAT TUBE, BARRIER
6	941839	HOLE PLUG
7	2204616	WIRE ASSY. CONTROL BOX
8	2162085	SOCKET, LIGHT (2)
9	2176341	CLIP, DEFROST TIMER
10	2183448	FAN MOTOR
11	2163777	BLADE, FAN
12	2200948	CONTROL BOX
13	2204605	THERMOSTAT ASSY.
14	489478	SCREW
15	489412	SCREW
16	2189823	COVER-EVAPORATOR
17	2160708	LIGHT BULB
19	1118894	ROCKER ARM SWITCH
21	2176281	COVER, AIR DIFFUSER
22	2202885	KNOB, THERMOSTAT
23	2182340	AIR TOWER
24	2189452	AIR DIFFUSER, BOTTOM
25	2184617	FLOOR, FREEZER
26	2204690	AIR DIFFUSER, TOP
27	2190688	COVER, HOLE
28	2187279	WIRE ASSEMBLY, FREEZER COMPARTMENT
29	2200641	BRACKET, FAN MOTOR
30	2189270	GASKET, EVAPORATOR COVER (TOP)
32	487996	CAP
38	2171931	VALVE, RELEASE

Distribuidor Autorizado

SurteRápido.com

Venta de Refacciones
Electrodomesticas

RT21SKXJW00 UNIT



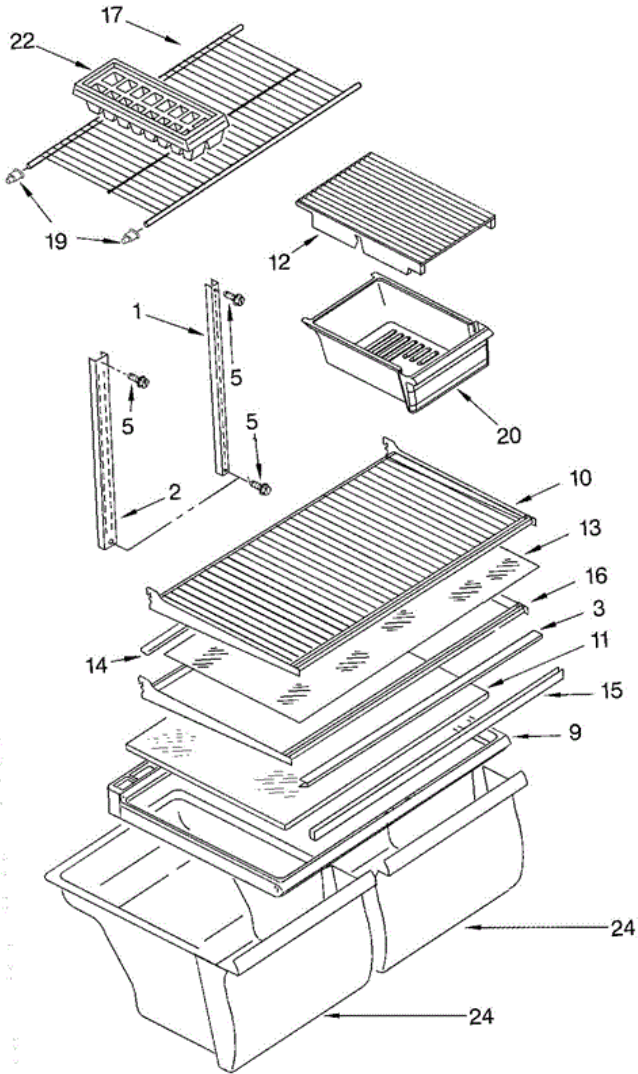


RT21SKXJW00 UNIT

1	2201162	PLATE, UNIT MOUNTING
2	489478	SCREW
3	2183849	CONDENSER
4	2166124	HEATER, DEFROST
5	2195390	EVAPORATOR ASSY.
6	489494	SCREW
7	2172620	DRAIN PAN
8	2182380	DEFROST BIMETAL
9	2176301	BRACKET, HEATER
10	2163780	EXTENSION, AIR BAFFLE
11	489373	SCREW
12	1105055	COVER
13	2183409	OVERLOAD (PRODUCTION)
13	4387766	OVERLOAD ((SERVICE - INCLUDES RELAY))
14	1100826	GROMMET (4) (PRODUCTION)
14	4387558	GROMMET (4) (SERVICE)
15	2176806	RELAY (PRODUCTION SERVICE (SEE OVERLOAD))
16	943322	COVER, STRAP
17	2150304	ROLLER (2)
18	981126	RIVET
19	2182338	CLIP, HEATER
21	N/A	NUT (NOT SERVICED)
22	2201185	SUPPORT BLOCK
28	2204897	COMPRESSOR
28	482801	INSTALLATION KIT
28	876765	TUBE KIT
29	2199167	DRIER
30	2155774	CLAMP
32	4387764	CAPACITOR (SERVICE (ONLY))
38	2172890	WIRE ASSEMBLY
39	2198921	AIR BAFFLE
40	2183437	MOTOR, CONDENSER
42	2200629	WIRE ASSY. UNIT

43	2190685	BLADE, FAN
44	486692	NUT
46	2201141	TUBE, DISCHARGE
47	2189173	TUBE, SUCTION
48	2154109	TUBE, PROCESS
49	2174670	TUBE, CONDENSER TO HEAT LOOP
56	488687	SCREW
57	489462	SCREW
58	2189433	TRAY, EVAPORATOR
58	482278	START KIT
58	876764	VALVE, ACCESS (3/16``)
58	978025	VALVE, ACCESS (1/4``)
58	978026	VALVE, ACCESS (5/16``)
58	978027	VALVE, ACCESS (3/8``)
58	978028	VALVE, ACCESS (1/2``)
58	978029	VALVE, ACCESS (5/8``)
58	978030	VALVE, ACCESS (3/4``)

RT21SKXJW00 SHELF





RT21SKXJW00 SHELF

1	2202822	SHELF, LADDER (2)
2	2202821	SHELF, LADDER CENTER
3	2201136	TRIM, SHELF FRONT
5	489478	SCREW
9	2195344	CRISPER COVER
10	2195398	SHELF, CANTILEVER
11	2176225	GLASS, CRISPER COVER
12	2163848	COVER, MEAT PAN
13	2174693	GLASS, FULL SHELF
14	2193395	TRIM, REAR SHELF
15	2163832	CRISPER, SUPPORT
16	2201104	SHELF, FULL CANTILEVER
17	2189454	SHELF, FREEZER
19	2163762	CUP, SHELF MTG.
20	2201031K	PAN, MEAT
22	841180	ICE TRAY (2)
24	1117510	TORX KEY
24	212643	SEALER, GUM (4 FEET)
24	2201023	PAN, CRISPER
24	350930	PAINT, PRESSURIZED SPRAY 12 OZ.) (WHITE)
24	350939	ENAMEL, BLACK (13 OZ. SPRAY CAN)
24	350942	PRIMER WHITE (13 OZ. SPRAY CAN)
24	350956	XENAMEL, ALMOND (13 OZ. SPRAY CAN)
24	479502	TAPE, VINYL (3/4 X 108``)
24	503695	CORK, SEALER (1/4 POUND)
24	505587	SEALER, MASTIC (1 QT.)
24	511873	PAINT, TOUCH-UP 1/2 OZ. (WHITE PORCELAIN)
24	542638	GREASE, SILICONE (1/2 OZ.)
24	542639	CEMENT, ALUMILASTIC (1-1/4 OZ.)
24	606755	BAG, INSULATION (36-5/8`` X 46``)
24	72017	PAINT, TOUCH-UP (1/2OZ.) (WHITE)
24	72032	PAINT, TOUCH-UP (1/2OZ.) (BLACK)
24	72107	PAINT, TOUCH-UP (1/2OZ.) (ALMOND)

24	799344	PAINT, BULK (1 QT.) (WHITE (UNCUT))
24	799832	KIT, PORCELAIN REPAIR (WHITE)
24	799833	KIT, EVAPORATOR REPAIR (ALUMINUM EPOXY)
24	833938	KIT, TERMINAL CONNECTOR
24	876029	KIT, FOAM SLAB (30`` X 32-1/2`` X 1-1/2``)
24	876305	KIT, INSULATION (14 PCS. 3`` X 24`` X 48``)
24	876370	KIT, INSULATION (2 PCS.) 3`` X 24`` X 48``)
24	978883	ENAMEL, ALMOND (1 QT. UNCUT)
24	978941	INSULATION, FIBERGLASS