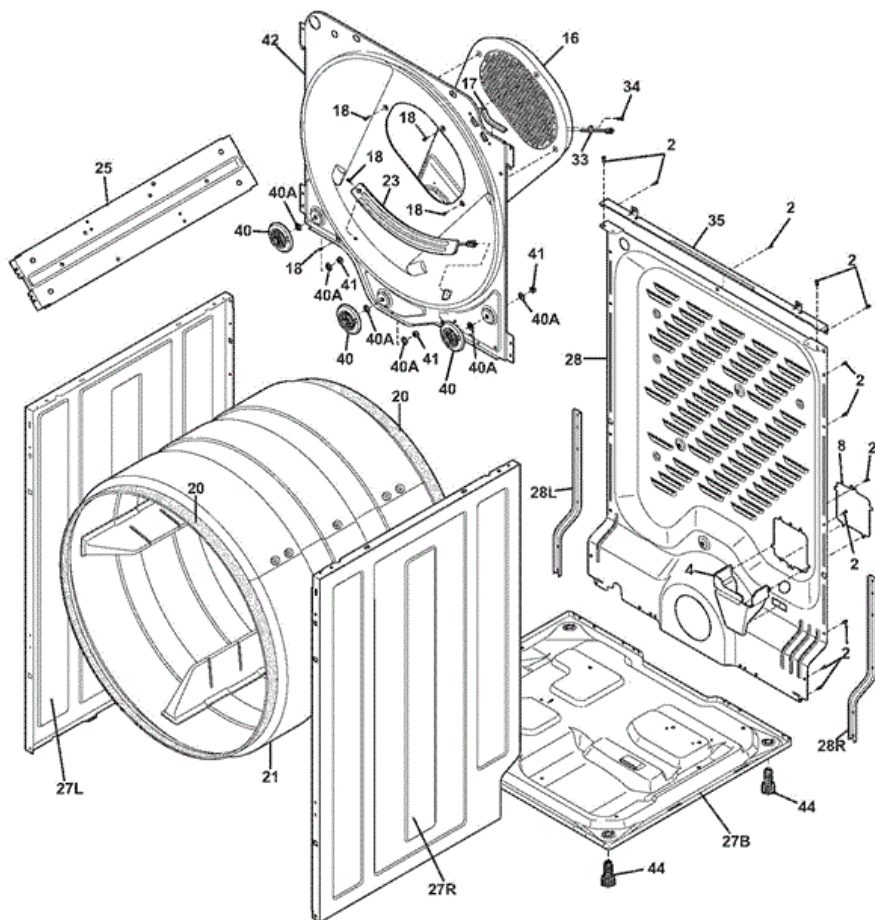
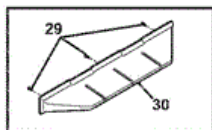


Distribuidor Autorizado

SurteRápido.com

Venta de Refacciones
Electrodomesticas

SAGQ7070KS0 TAMBOR





SAGQ7070KS0 TAMBOR

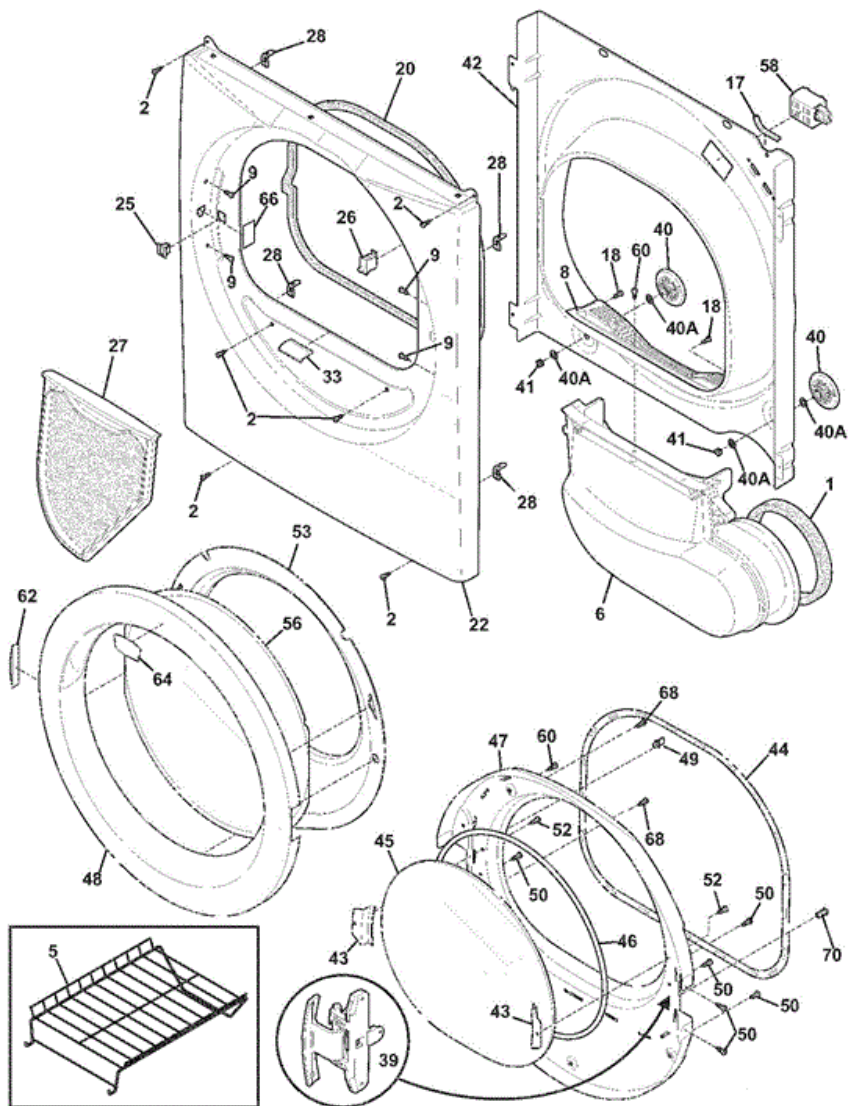
2	131168200	SCREW,PAN HEAD ,8-18B X 0.31
4	134792200	BRACKET,MOUNTING ,TERMINAL BLOCK
8	134694400	COVER,TERMINAL BLOCK
16	134694020	DUCT,HEAT ,REAR
17	134792900	PROTECTOR,EDGE ,RIGHT TOP FRONT ,85.0+/-1.5
18	131477000	SCREW,10-16AB X 0.375
20	134705900	SEAL,FELT ,DRUM
21	134711910	DRUM,DRYER ,ASSEMBLY 36``
25	134912100	BRACKET,MOUNTING ,MAIN CONTROL BX
27B	134690200	BASE,DRYER
27L	134690310	PANEL,LEFT SIDE ,WHITE
27R	134690410	PANEL,RIGHT SIDE ,WHITE
28	134713200	PANEL,BACKSHEET ,REAR
28L	137029900	BRACKET,REINFORCEMENT ,LEFT ,BACKSHEET
28R	137066800	BRACKET,REINFORCEMENT ,RIGHT ,BACKSHEET
29	131205100	SCREW,NO.8 PAN HEAD ,10-10B X 0.500
30	137116810	VANE,STRAIGHT ,GRAY
34	131243700	SCREW, PAN HEAD, 8-18AB X 0.375
35	134706200	BRACKET, TOP PANEL MTG. ,REAR
40	134715900	ROLLER,WHEEL ,COMPLETE ASMY
40A	134716700	WASHER,FLAT
41	134716800	NUT,3/8-16
42	134712810	BULKHEAD,PARTITION ,REAR
44	137029700	LEVELING LEG,SCREW
F23	134786100	SENSOR-MOISTURE,ASSEMBLY
F33	3204267	THERMOSTAT-SAFETY
NI	134716200	RETAINER,ROLLER WHEEL ,ASSEMBLY
NI	134930800	HARNESS,MOISTURE SENSOR
NI	5308027429	ADHESIVE, HIGH TEMP

Distribuidor Autorizado

SurteRápido.com

Venta de Refacciones
Electrodomesticas

SAGQ7070KS0 PUERTA



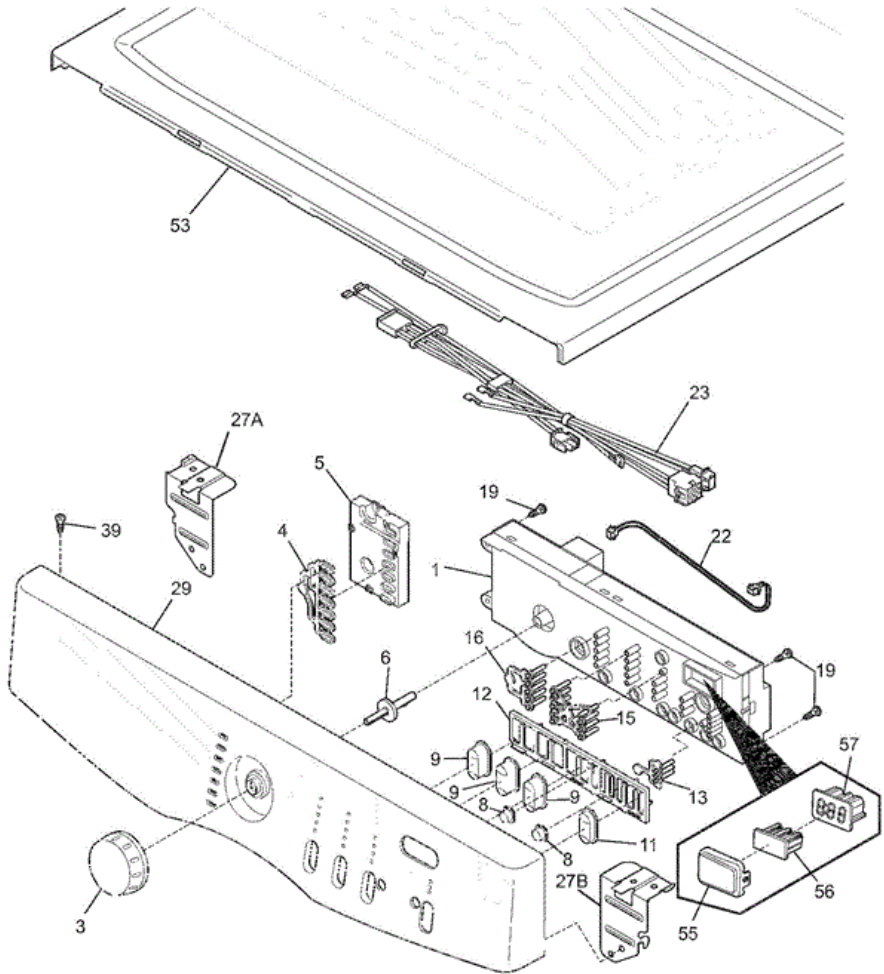


SAGQ7070KS0 PUERTA

1	137068200	SEAL,AIR DUCT
2	131168200	SCREW,PAN HEAD ,8-18B X 0.31
5	137067300	RACK,DRYING
6	134710705	DUCT,AIR ,GRAY
8	134701320	COVER,LINT HOUSING
9	131633200	PLUG,WHITE
17	134792900	PROTECTOR,EDGE ,RIGHT TOP FRONT ,85.0+/-1.5
18	131477000	SCREW,10-16AB X 0.375
20	137116600	GASKET,FRONT PANEL
22	134696610	PANEL,FRONT ,WHITE
25	131658800	DOOR CATCH,UPPER
27	134701420	FILTER,LINT ,COMPLETE
28	137034500	CLIP,MOUNTING ,CABINET FRONT
33	137067110	RAMP,GRAY ,DOOR
39	134680900	HINGE,DOOR
40	134715900	ROLLER,WHEEL ,COMPLETE ASMY
40A	134716700	WASHER,FLAT
41	134716800	NUT,3/8-16
42	134696105	BULKHEAD,PANEL ,FRONT
43	134559300	BRACKET,DOOR GLASS
44	134720902	GASKET,DOOR SEAL ,GRAY
45	134611800	GLASS,INNER DOOR
46	134580300	GASKET,DOOR GLASS ,INNER
47	134683941	PANEL,INNER DOOR ,GRAY
48	134558410	PANEL,OUTER DOOR ,PLATINUM
49	5303211430	DOOR STRIKE
50	131303300	SCREW,PAN HEAD ,10-16AB X 0.500 ,LOCKING
52	134529600	SCREW,INDT PAN HEAD ,8-18AB X 0.375
53	134558600	RING,DOOR TRANSITION
56	134550600	GLASS,OUTER DOOR LENS
60	134430300	SCREW,INDT PAN HEAD ,10-14 X 0.625 ,QUADREX
62	134680710	PLUG,HINGE CUTOUT ,PLATINUM
64	134867500	NAMEPLATE,ECO TURBO

66	134680800	T-PLUG,HINGE HOLE
68	134742002	PLUG,HINGE HOLE ,GREY
70	134417502	PLUG,RECTANGULAR
F26	134813601	SWITCH,DOOR ,RECTANGLE ,WHITE ,
F58	131843500	LAMP ASSY,DRUM LIGHT ,W/MTG BRACKET
FNI	131862800	LAMP
NI	134554500	PAD,OUTER DOOR
NI	134716200	RETAINER,ROLLER WHEEL ,ASSEMBLY
NI	134910300	HARNESS,WIRE ,DOOR SWITCH
NI	5308027429	ADHESIVE, HIGH TEMP

SAGQ7070KS0 TABLERO

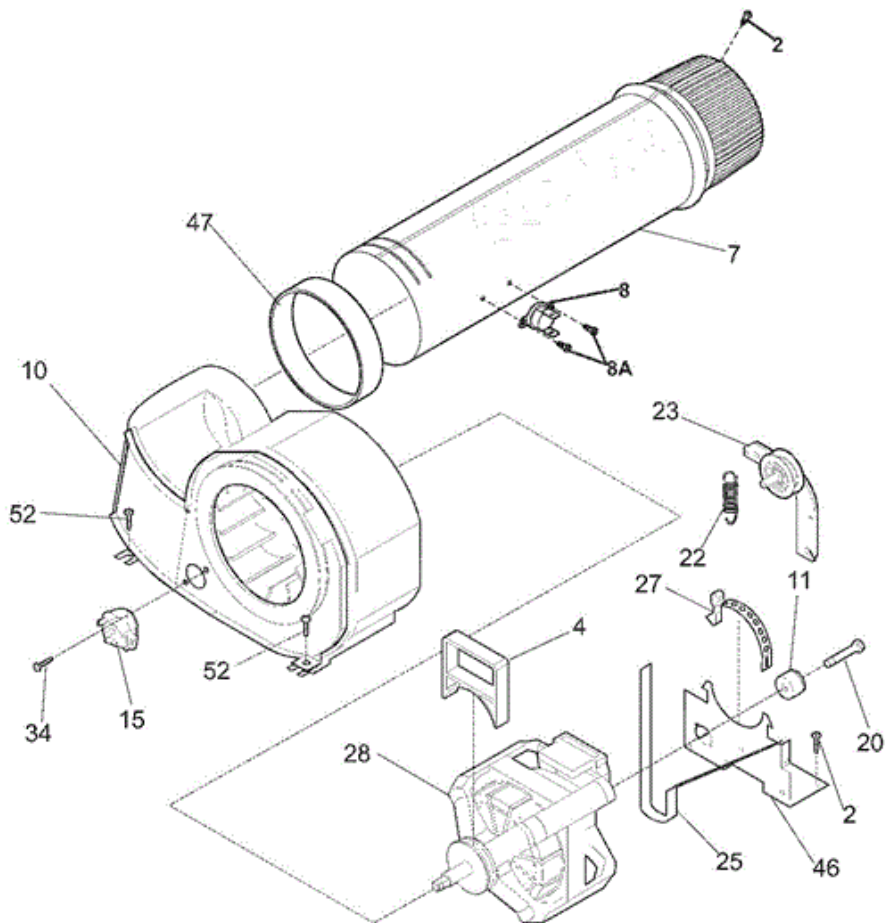




SAGQ7070KS0 TABLERO

3	134551210	KNOB,PROGRAM
4	134553100	LIGHT PIPE,PROGRAM
6	134347700	PIN,PROGRAM KNOB
8	134555510	PUSH BUTTON,ROUND ,NO.1
9	134553410	PUSH BUTTON,OVAL ,NO.1
11	134595610	PUSH BUTTON,OVAL ,START
12	134553300	SPRING,PUSH BUTTON
13	134557501	LIGHT PIPE,START GROUP
15	134552800	LIGHT PIPE,5 X 4
16	134600000	LIGHT PIPE,ROW OF 5
19	134402900	SCREW,PHILLIPS ,6-19 X 0.650
27A	134710900	BRACKET,CONTROL PANEL ,LEFT HAND ,MOUNTING
27B	134711000	BRACKET,CONTROL PANEL ,RIGHT HAND ,MOUNTING
29	134892400	PANEL,CONTROL CONSOLE
39	131205100	SCREW,NO.8 PAN HEAD ,10-10B X 0.500 ,CR/SQ DRIVE
53	134365000	PANEL,WORK TOP ,WHITE
55	134553200	LENS,DIGITAL DISPLAY
56	134557300	LIGHT PIPE,DIGITAL DISPLAY
F1	137070800	CONTROL BOARD,PRINTED CIRCUIT ,WITH HOUSING
F22	134602100	WIRING HARNESS,INTERFACE BOARD
F23	134710300	HARNESS,WIRE
F5	134556500	INTERFACE BOARD,PC ,AUXILIARY
F57	134503300	DISPLAY,DIGITAL
FNI	134910200	HARNESS,CONTROL

SAGQ7070KS0 MOTOR





SAGQ7070KS0 MOTOR

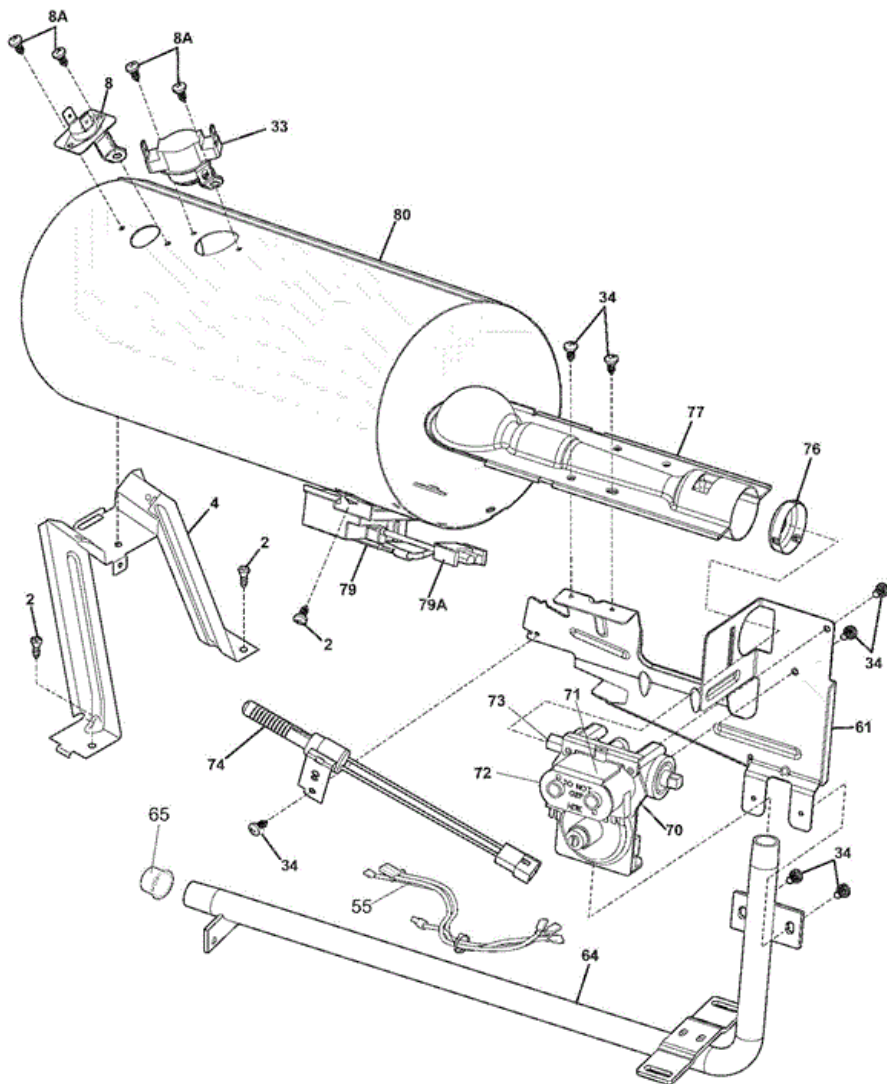
2	131168200	SCREW,PAN HEAD ,8-18B X 0.31
4	131435200	LOCK,BLOWER HOUSING
7	134693900	TUBE,EXHAUST ,REAR
8	134711400	LIMITER,THERMAL ,EXHAUST ,FLUSH MOUNT
11	131749800	SPACER-IDLER
20	131017900	SCREW,HEX HEAD ,1/4-20T X 1.25 ,SPACER MTG.,THREAD CUTTING
22	131601000	SPRING,IDLER ARM
23	134793500	IDLER ARM ASSY,W/PULLEY
27	134242400	CLAMP,MOTOR MTG.
34	131243700	SCREW, PAN HEAD, 8-18AB X 0.375
46	134693500	BRACKET,MOTOR MOUNTING
47	131633300	SEAL-EXHAUST TUBE
52	131202300	SCREW,10-16AB X 0.625
8A	134935200	SCREW,NO.8-32 X .25 ,W/NO.6 QUADREXPAN
F10	131775600	BLOWER ASSY,HOUSING ,W/COVER & WHEEL
F15	134587700	THERMISTOR,CONTROL
F25	134719300	BELT,`H` ,POLY V ,5 RIB
F28	137115900	MOTOR,DRYER DRIVE ,WITH PULLEY

Distribuidor Autorizado

SurteRápido.com

Venta de Refacciones
Electrodomesticas

SAGQ7070KS0 QUEMADOR





SAGQ7070KS0 QUEMADOR

2	131168200	SCREW,PAN HEAD ,8-18B X 0.31
4	134785000	BRACKET,HEATER/BURNER ,MOUNTING
8	134711500	LIMITER,THERMAL
34	131243700	SCREW, PAN HEAD, 8-18AB X 0.375
55	137029500	HARNESS,BURNER
61	134715800	BRACKET,GAS VALVE
64	137019100	PIPE,GAS
65	8015112	CAP-PIPE
76	134714400	COLLAR,ALIGNMENT ,GAS VALVE
79A	134259100	HARNESS,FLAME SENSOR
8A	134935200	SCREW,NO.8-32 X .25 ,W/NO.6 QUADREXPAN
F33	137116700	THERMOSTAT,HIGH LIMIT
F70	5303207409	VALVE GAS
F71	5303307291	COIL-SECONDARY
F72	5303307292	COIL-BOOSTER
F73	5303207410	ORIFICE,NATURAL GAS ,SIZE 44
F74	134192000	IGNITER ASSY
F77	134197700	BURNER,GAS
F79	5303281135	SENSOR,RADIANT
F80	134692500	TUBE,BURNER