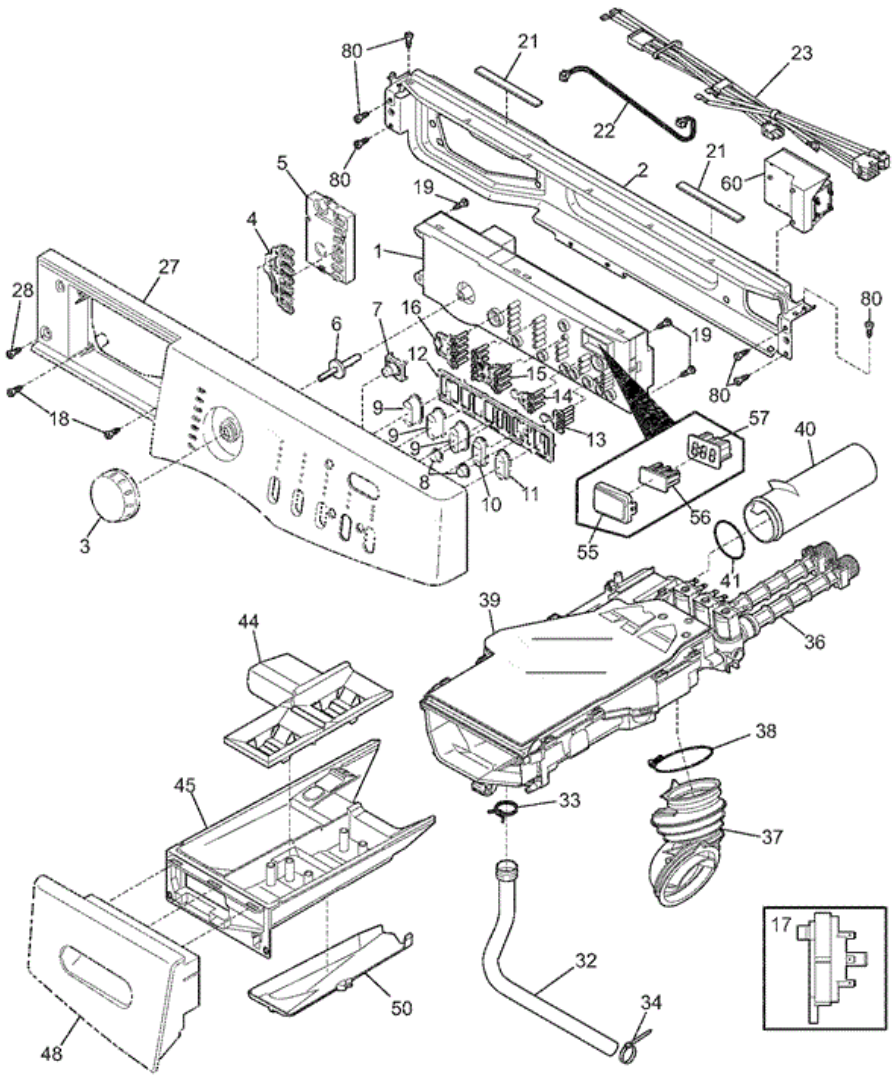


**SATF7000FS1 TABLERO**





## SATF7000FS1 TABLERO

2	134364800	BRACKET, TOP FRONT
3	134551210	KNOB, PROGRAM
4	134553100	LIGHT PIPE, PROGRAM
6	134347700	PIN, PROGRAM KNOB
7	134555610	PUSH BUTTON, ROUND ,NO.2
8	134555510	PUSH BUTTON, ROUND ,NO.1
9	134553410	PUSH BUTTON, OVAL ,NO.1
10	134555410	PUSH BUTTON, OVAL ,NO.2 (SOIL)
11	134595610	PUSH BUTTON, OVAL ,START
12	134553300	SPRING, PUSH BUTTON
13	134557500	LIGHT PIPE, START GROUP
14	134557400	LIGHT PIPE, ROW OF 3
15	134552800	LIGHT PIPE, 5 X 4
16	134600000	LIGHT PIPE, ROW OF 5
18	131302800	SCREW, 10-16AB X 0.375
19	134402900	SCREW, PHILLIPS ,6-19 X 0.650
21	134407900	DAMPENER, VIBRATION
27	134891000	PANEL, CONTROL CONSOLE
28	131205300	SCREW, 10-16 X 0.750
32	134586500	HOSE, DISP-TO-BELLOWS
33	131306216	CLAMP
34	5303321209	CABLE TIE, 5.60 INCH
37	134372300	HOSE, DISP-TO-TUB
38	134372400	CLAMP, TUB HOSE
39	134446120	HOUSING, DISPENSER ,W/VALVE, COVER
40	134372100	TUBE, DISP-TO-OVERFLO
41	134372200	O-RING, OVERFLOW TUBE
42	131168200	SCREW, PAN HEAD ,8-18B X 0.31
44	134370200	COVER, DISPENSER
45	134370000	DRAWER, DISPENSER
48	134891400	HANDLE/DRAWER ASSY
50	134370100	CONVEYOR, DISPENSER ,LOWER
55	134553200	LENS, DIGITAL DISPLAY

56	134557300	LIGHT PIPE,DIGITAL DISPLAY
F1	137007000	CONTROL BOARD,PC ,WITH HOUSING
F17	134762000	SWITCH,PRESSURE
F22	134602100	WIRING HARNESS,INTERFACE BOARD
F23	134739500	WIRING HARNESS,CONTROLS
F36	134371220	VALVE,DISPENSER ,NTC/SHORT TUBE
F5	134556500	INTERFACE BOARD,PC ,AUXILIARY
F57	134503300	DISPLAY,DIGITAL
F60	134558200	CONTROL,HEATER ,W/TRANSFORMER
FNI	134887800	WIRING HARNESS,MAIN
FNI	137215000	HARNESS,WIRING ,MAIN
NI	131311900	SCREW,QUADREX PH ,8-18AB X 0.500
NI	134371300	GASKET,DISP-TO-VALVE





## SATF7000FS1 GABINETE

1	131454100	HOSE,WATER INLET ,4 FT. ,HOSE & WASHER
2	131168200	SCREW,PAN HEAD ,8-18B X 0.31
4	134409905	CONTROL BOARD,MOTOR
5	134522900	BRACKET,ANGLE ,MOTOR CONTROL
9	131303300	SCREW,PAN HEAD ,10-16AB X 0.500 ,LOCKING
11	134366400	PANEL,DOOR GLASS
12	134550740	FRAME,INNER DOOR
13	131302901	SCREW,10-16 X 0.750
14	134456640	STRIKER,DOOR/LOCK
15	134550800	HINGE,DOOR ,WITH BUSHINGS
16	131205300	SCREW,10-16 X 0.750
17	134638700	CLIP,ASSEMBLY
20	134434901	BRACKET,LS PANEL ,REINFORCEMENT
22	134648500	BRACKET-SPRING,RETAINER
23L	134775310	PANEL,LEFT SIDE ,WHITE
23R	134775210	PANEL,RIGHT SIDE ,WHITE
24	134365000	PANEL,WORK TOP ,WHITE
25	134775500	BASE,WASHER
26	134521600	SCREW,HEX WASHER HEAD ,M5 0.8 X 15
27	134550900	BRACKET,HINGE ,REINFORCEMENT
28	134364300	PANEL,SERVICE ACCESS ,REAR
29	137021810	PANEL,FRONT ,WHITE
32	5303209428	BUSHING,POWER CORD
35	134365100	BRACKET,TOP SUPPORT ,REAR
36	134548800	LEVELING LEG,SCREW ,PLASTIC
42	134601900	SCREW,FLAT HEAD ,M5 X .8 X 17.5
48	134601510	PANEL,OUTER DOOR ,PLATINUM
50	134645600	BRACKET,TUB SUSPENSION
51	134655800	PROTECTOR,TUB SUSPENSION ,SPRING HOOK ,(2)
52	131931202	DAMPENER,VIBRATION ,FOAM
53	134551300	RING,DOOR TRANSITION
56	134550600	GLASS,OUTER DOOR LENS
58	131800405	INSULATION,NOISE ABSORBER

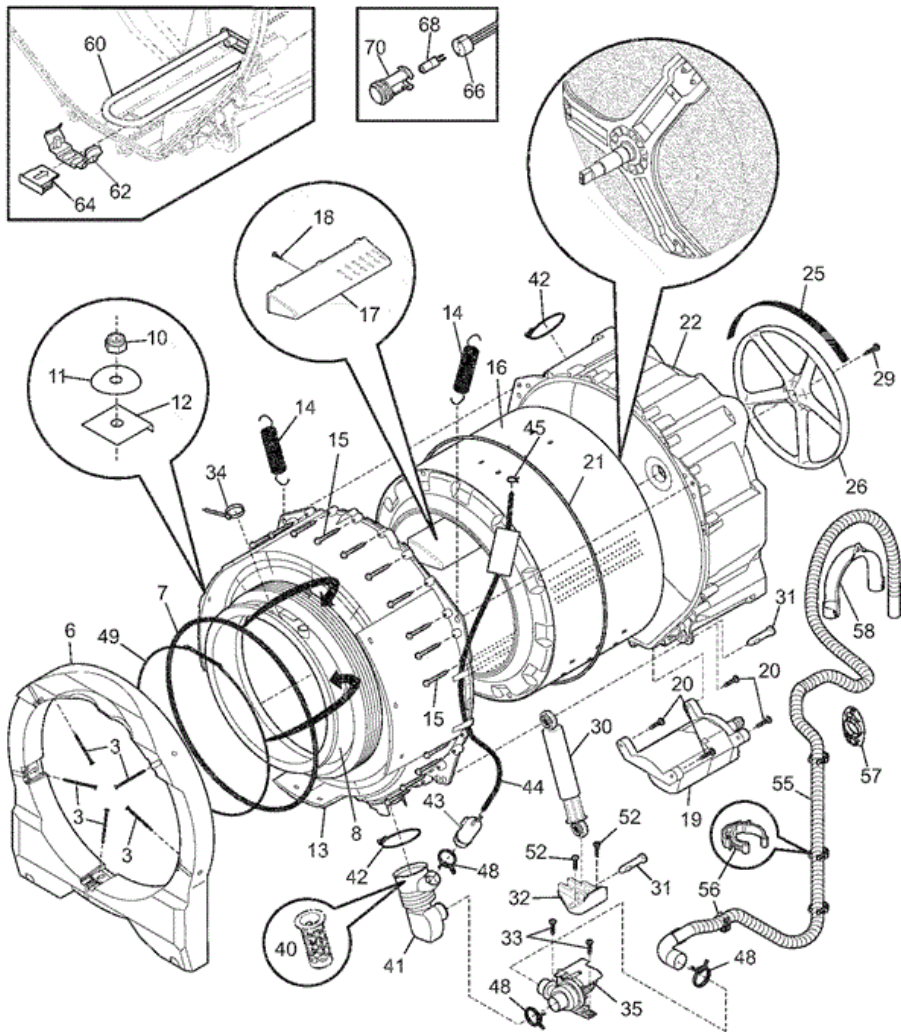
60	134372000	GROMMET,DISPENSER ,BACK PANEL
64	134867500	NAMEPLATE,ECO TURBO
F31	134501000	POWER CORD,ELECTRIC SVCE
F66	134813600	SWITCH,DOOR
F8	131763202	DOOR LOCK/SWITCH ASSY
FNI	134547600	WIRING HARNESS,MOTOR CONTROL
FNI	134603100	WIRING HARNESS,DOOR SWITCH
NI	134178901	SCREW,8-18AB X 0.455
NI	134434900	BRACKET,RS PANEL ,REINFORCEMENT
NI	134554500	PAD,OUTER DOOR
NI	134591500	PLUG ASSY,SHIPPING HOLES ,BACK
NI	134629400	SCREW,MC5X8.5 TORX ,CABINET MTG
NI	134876500	CLIP,HOSE,DRAIN ,REAR-PANEL
NI	134889700	CLIP, HOSE,DRAIN ,REAR-PANEL
NI	137021600	BRACKET,MOUNTING ,LEFT ,FRONT PANEL
NI	137021610	BRACKET,MOUNTING ,RIGHT ,FRONT PANEL

Distribuidor Autorizado

SurteRápido.com

Venta de Refacciones  
Electrodomesticas

SATF7000FS1 TINAS





## SATF7000FS1 TINAS

3	131793303	BOLT,CARRIAGE ,1/4-20 X 2.60
6	134362200	COUNTERWEIGHT,FRONT ,ONE PIECE
7	134365300	SPRING,BELLOWS CLAMP ,RETAINER
10	131304700	NUT,HEX ,1/4-20 UNC-2B ,(2)
11	131276900	WASHER,BELLVILLE ,SPRING STEEL
12	134430600	PLATE,COUNTERWEIGHT
13	134362000	SHELL,TUB ,FRONT
15	131303900	SCREW,HEX WASHER HEAD ,1/4-10A X 2.165
16	137105900	DRUM ASSY,SPIN BASKET
17	134361602	VANE KIT,DRUM
18	131302800	SCREW,10-16AB X 0.375
20	131303500	SCREW,12-14AB X 1.50 ,MOTOR MTG.
21	134361900	O-RING,TUB
22	134507130	SHELL,OUTER TUB ,REAR ,WITH BEARING
29	134408400	SCREW,10.9 CLASS ,M10 X 25 MM
30	134560410	SHOCK ABSORBER,ASSEMBLY
31	131268300	PIN,SHOCK MTG.
32	134363200	BRACKET,SHOCK MTG.
33	134160900	SCREW,WASHER HD ,10-16AB X 0.75
34	5303321209	CABLE TIE,5.60 INCH
35	137108100	PUMP,DRAIN
40	134885800	FILTER,PUMP
41	134455900	HOSE,COIN TRAP ,TUB-TO-PUMP
42	134737300	CLAMP,HOSE
43	134369000	CHAMBER,AIR
44	134369900	HOSE,AIR PRESSURE
45	131306202	CLAMP,HOSE
48	131306234	CLAMP,HOSE ,WIRE
49	134527100	CLAMP,BELLOWS ,SPRING HELD
52	131202300	SCREW,10-16AB X 0.625
56	134781400	FASTENER,HOSE CLIP
57	134641100	BRACKET,DRAIN HOSE MTG ,REAR
58	134440700	HANGER,DRAIN HOSE



62	134558000	BRACKET,HEATING ELEMENT
64	134558100	STOP,DETENTE ,HEATING ELEMENT
68	134554600	LAMP,G4 LIGHT BULB ,5 W ,12 V
70	134551600	DIFFUSER,LAMP ,DOOR LIGHT
F14	137099300	SPRING ASSY,SUSPENSION
F19	137043000	MOTOR,CIM
F25	134051003	BELT,DRIVE ,6-RIB
F26	134362600	PULLEY,DRUM DRIVE ,LARGE ,REAR
F55	134889600	HOSE,DRAIN-ONE PIECE
F60	134552300	ELEMENT,HEATING ,1000 W
F66	134602000	RECEPTACLE,LAMP ,DOOR LIGHT
F8	134739800	BELLOWS KIT,BOOT ,W/LIGHT HOLE