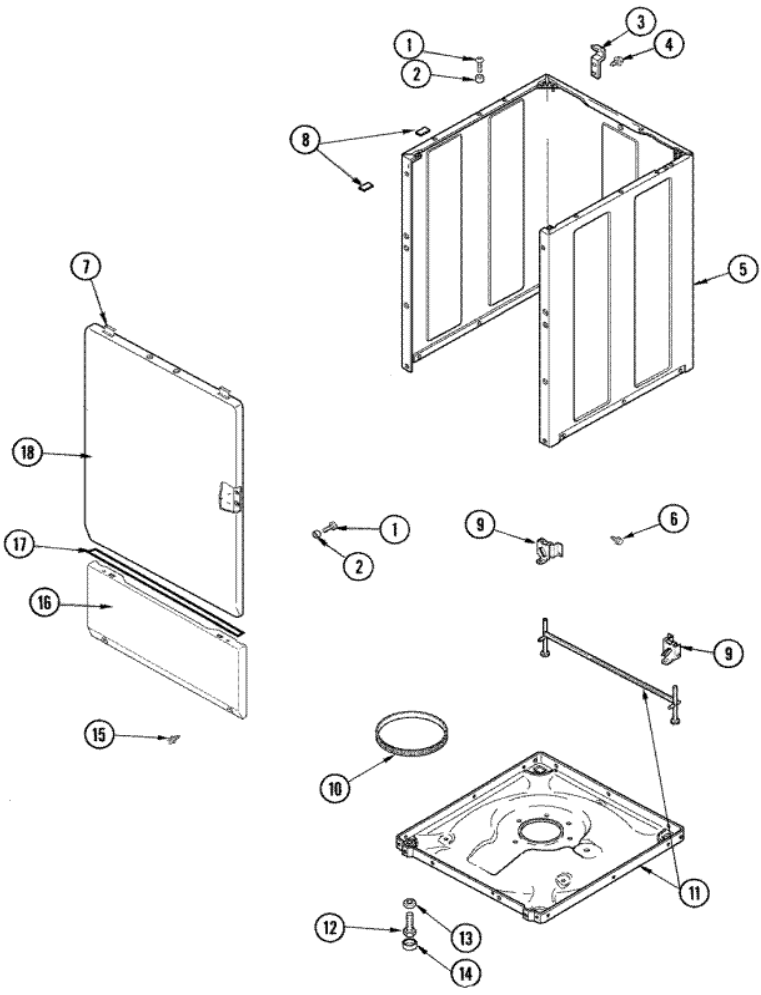


**SAV505DAWW GABINETE**

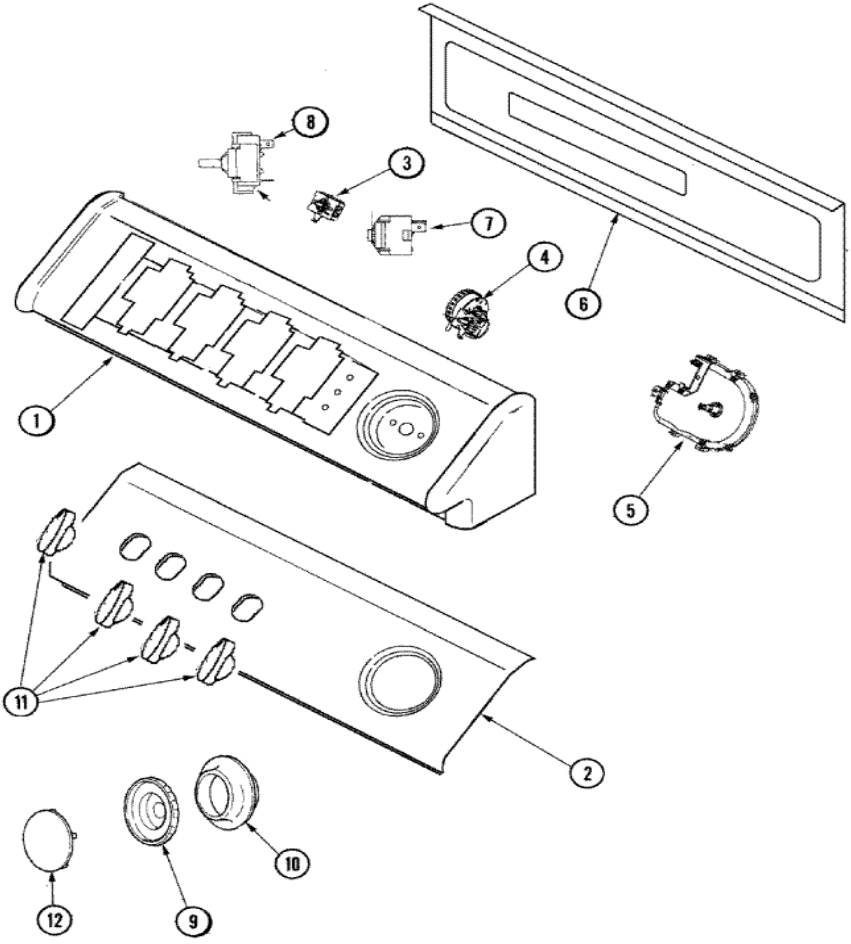




**SAV505DAWW GABINETE**

1	32671	SCREW, TAPPING (S/P)
2	505187	LOCATOR, PANEL (S/P)
3	500003	HINGE, TOP (S/P)
4	40064801	SCREW, 10B-16X1/4 (S/P)
5	37001284	CABINET, DRYER & WASHER (WHT) (S/P)
6	27001200	SCREW, 12BX1/2NO.10 HX (S/P)
7	501086	SCREW, 8B-18X3/8 SLT (S/P)
7	40034202	CLIP, SPRING (BOTTOM) (S/P)
7	22001650	CLIP, SPRING
8	Y56128	PAD, BUMPER (S/P)
9	40031501	BRACKET, SELF LEVELING (S/P)
10	40037401	RING, FRICTION
11	27001226	ASSY, BASE & LEVEL DOME
12	40039001	LEG, LEVELING
13	40038101	NUT, LEG (S/P)
14	40016001	FOOT, RUBBER
15	40034101	SCREW, NO.12BX1/2 (S/P)
16	40045301WP	PANEL, ACCESS (WHT) (S/P)
17	40083101	TAPE, FOAM (S/P)
18	40035401WP	PANEL, FRONT (WHT) (S/P)

**SAV505DAWW TABLERO**





**SAV505DAWW TABLERO**

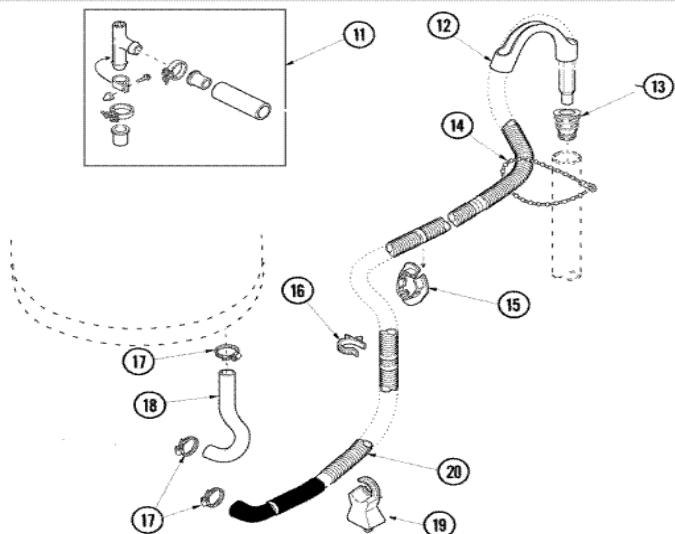
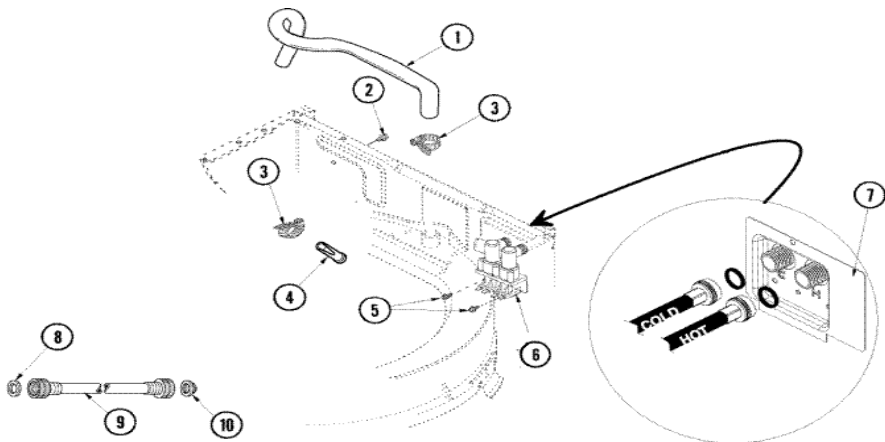
1	27001110	CONSOLE (WHT) <b>(S/P)</b>
1	40014401	BOARD, ATC CONTROL <b>(S/P)</b>
2	27001073	FACIA <b>(S/P)</b>
2	27001050	FACIA GROUND WIRE ASSEMBLY <b>(S/P)</b>
3	27001074	TEMPERATURE SWITCH - 6 POS <b>(S/P)</b>
4	27001047	SWITCH, PRESSURE <b>(S/P)</b>
5	33001855	SCREW (HEX HEAD) <b>(S/P)</b>
5	27001060	TIMER <b>(S/P)</b>
6	27001051	BACK PANEL, HOOD/CONSOLE <b>(S/P)</b>
7	22001794	SWITCH, ROTARY (2 POS) <b>(S/P)</b>
8	22002578	SWITCH, SPEED (ROTARY) <b>(S/P)</b>
9	22002996	KNOB, TIMER (GRY)
10	22002997	PIN, LOCKING
10	22002995	SKIRT, TIMER KNOB (WHT)
11	22003913	KNOB, SELECTOR (WHT) <b>(S/P)</b>
12	22001664	TIMER KNOB INSERT/CAP (WHT)
13	27001142	CORD, POWER <b>(S/P)</b>

Distribuidor Autorizado

SurteRápido.com

Venta de Refacciones  
Electrodomesticas

# SAV505DAWW VALVULA

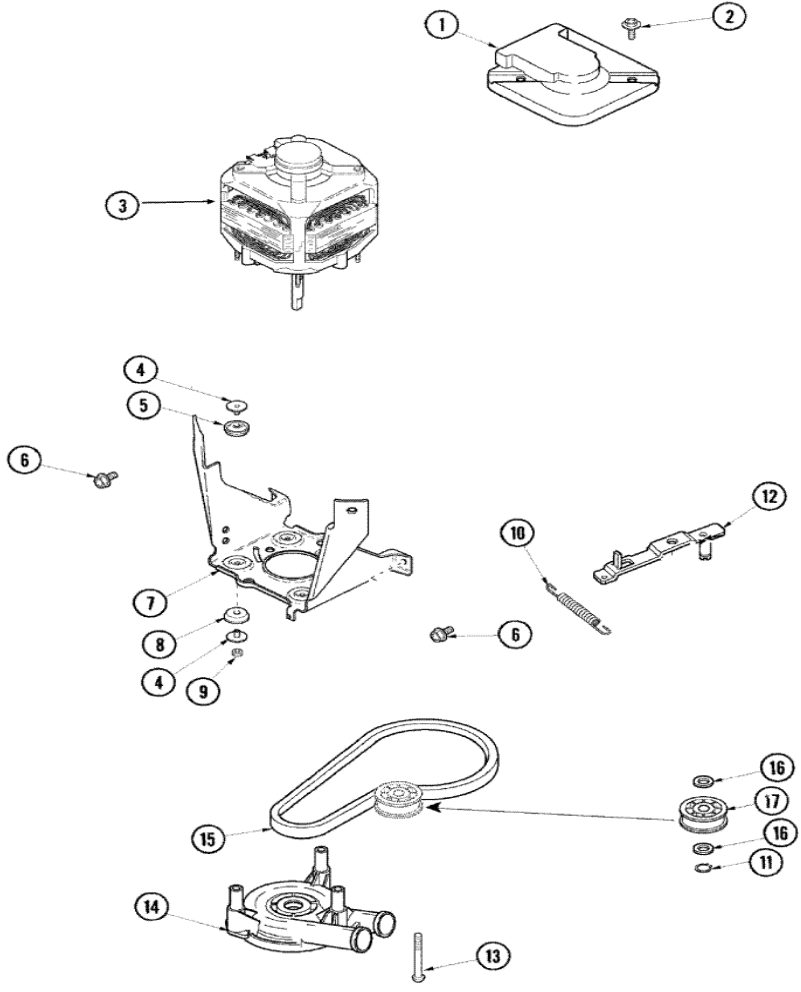




## SAV505DAWW VALVULA

1	27001184	HOSE, MIXING VALVE TO TUB (S/P)
2	27001200	SCREW, 10-16X.44 UNS (S/P)
3	25-7867	CLAMP, HOSE (S/P)
4	22001900	PREVENTOR, BACKFLOW (S/P)
5	501086	SCREW, 8B-18X3/8 SLT (S/P)
6	40107001	VALVE, MIXING-E2
6	27001062	TWISTED PAIR ASSY (WIRE) (S/P)
7	40098801	PLATE, MIXING VALUE (S/P)
8	20290	WASHER, 19/32 IDX1.031 (S/P)
9	21001466	HOSE, INLET (S/P)
9	89503	HOSE, 4' INLET
10	22002960	WASHER, FILTER (S/P)
11	562P3	SIPHON KIT
12	22003814	SLEEVE, DRAIN HOSE (S/P)
13	40008101	ADAPTER, STANDPIPE (S/P)
14	8539404	STRAP, STANDPIPE BEAD (S/P)
15	40058501	RELIEF, STRAIN DRAIN (S/P)
16	36014	CLIP, RETAINER-HOSE (S/P)
17	25-7867	CLAMP, HOSE (S/P)
18	40094201	HOSE, TUB TO PUMP (S/P)
19	40044901	STAND, HOSE (S/P)
20	40053901	HOSE, DRAIN

**SAV505DAWW MOTOR**



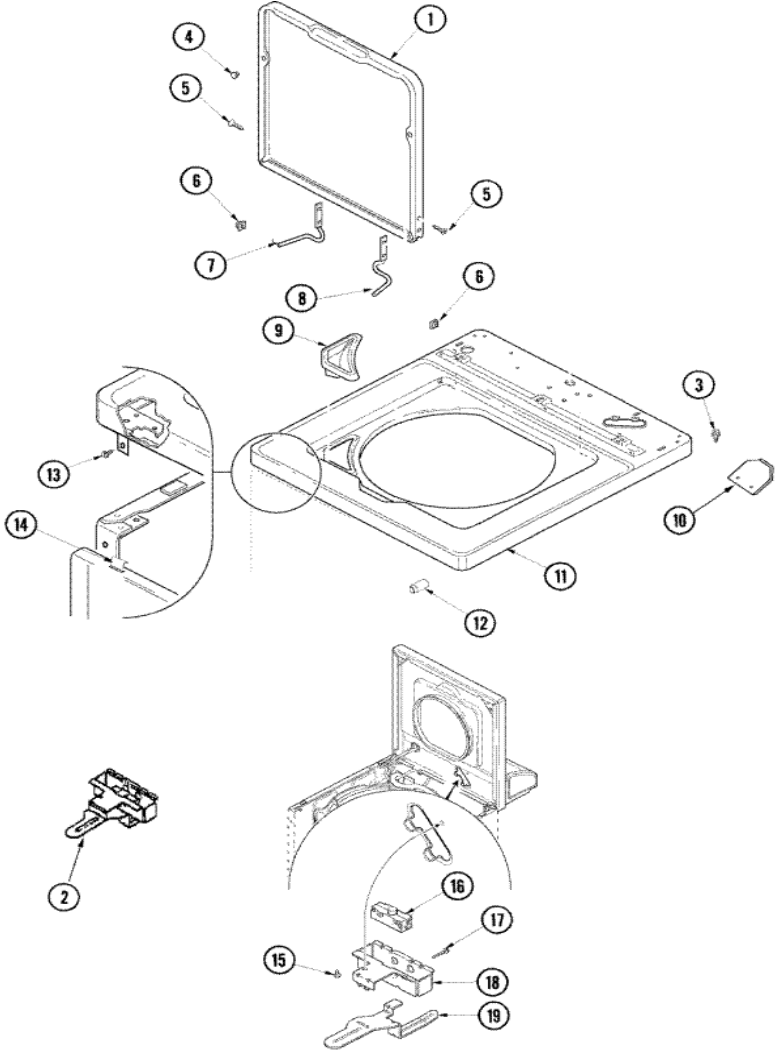


**SAV505DAWW MOTOR**

1	40112301	SHIELD, MOTOR (S/P)
2	40046701	SCREW, NO.10X7/16 ID HX (S/P)
3	27001215	2 SPEED MOTOR
4	40053701	POST, ISOLATOR (S/P)
5	40053801	MOUNT, MOTOR UPPER (S/P)
6	40105601	SCREW, 5/6-18 X 1/2 (S/P)
7	40015502	<b>DESCONTINUADO</b>
8	40054301	MOUNT, MOTOR LOWER (S/P)
9	40095101	LOCKNUT, 10-32 (S/P)
10	40061401	SPRING, IDLER LEVER
11	23748	RING, RETAINING (S/P)
12	27001028	IDLER LEVER ASSEMBLY
13	40063701	SCREW, 10-16X1.75 (S/P)
14	27001024	CLAMP, HOSE (S/P)
14	27001233	ASSEMBLY, PUMP COMPLETE
15	27001006	BELT, SPIN & AGITATOR
16	52549	WASHER, 501 ID X3/4 ODX (S/P)
17	27001225	NUT, JAM MID LOCK 1/4-20 (S/P)
17	40045001	IDLER PULLEY ASSEMBLY
17	40038901	SCREW, 1/4-20 (S/P)



**SAV505DAWW SWITCH DE PUERTA**

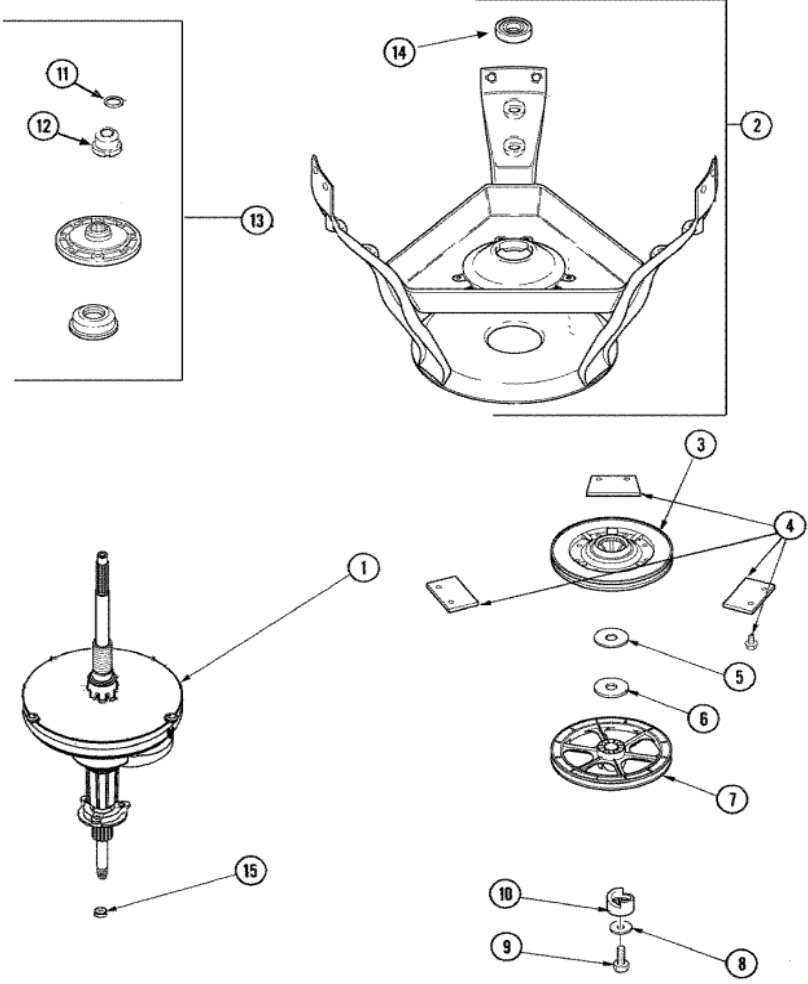




## SAV505DAWW SWITCH DE PUERTA

1	27001116	LID (WHT W/INSTRUCTION) (S/P)
2	40034901	LID SWITCH ASSEMBLY (S/P)
3	501086	SCREW, 8B-18X3/8 SLT (S/P)
4	40038001	BUMPER (S/P)
5	40039201	SCREW, 6-32X.340 FLAT (S/P)
6	40008201	BUSHING, HINGE (S/P)
7	40094002	HINGE, LID LEFT STOP (S/P)
8	40094101	HINGE, LID RIGHT PASS (S/P)
9	40093901	DISPENSER, BLEACH (S/P)
10	40063901	CLIP, HOLD DOWN (S/P)
11	27001182	PANEL, TOP (WHT) (S/P)
12	40102101	CAP, HINGE (S/P)
13	503661	SCREW, 10-16X.44 UNS (S/P)
14	22001650	CLIP, SPRING
15	501086	SCREW, 8B-18X3/8 SLT (S/P)
16	27001095	SWITCH, SPST
17	40040701	SCREW, TAPPING No.6B-20 (S/P)
18	40009801	HOLDER, LID SWITCH
19	40009701	ARM, LID SWITCH

**SAV505DAWW TRANSMISION**

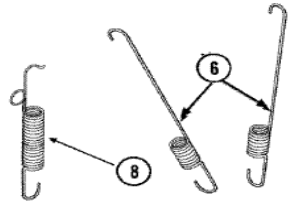
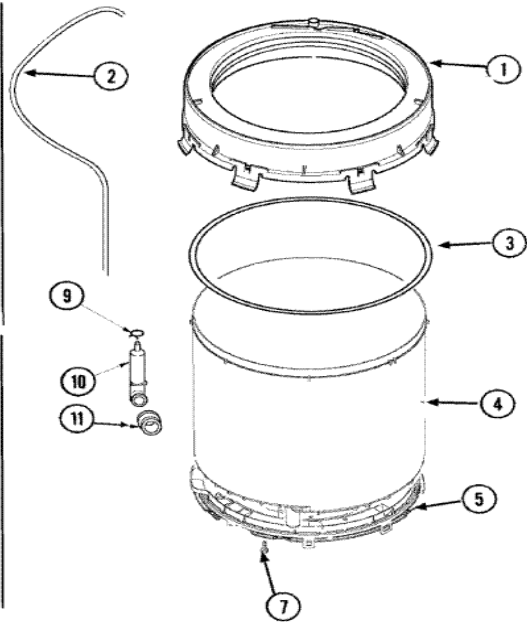
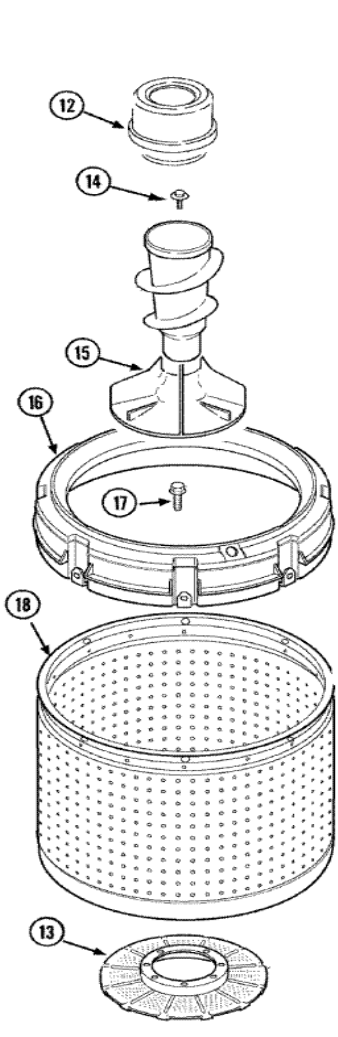




## SAV505DAWW TRANSMISION

1	27001039	TRANSMISSION ASM (710 RPM) <b>(S/P)</b>
2	12002013	ASSEMBLY, MILK STOOL & BEARING <b>(S/P)</b>
3	R9900474	BRAKE ASSEMBLY
4	R0000014	KIT, BRAKE PAD
4	26594P	GREASE, SILICONE - 2OZ TUBE <b>(S/P)</b>
5	40065701	WASHER, 2 ODX.63 ID
6	40063201	WASHER, FLAT
7	40047102	PULLEY, SPIN/AGIT (710 RPM)
8	40041501	WASHER
9	40063401	SCREW, 1/4-20X5/8 HEX
10	40047402	HELIX, PLASTIC
11	25-7941	``O`` RING
12	21001533	SEAL NUT ASSEMBLY
13	2204512	TRIPLE LIP SEAL/BEARING KIT
14	40004001	BEARING, MAIN
15	207843	SEAL, TRANSMISSION HOUSING(LIP)

**SAV505DAWW TINA**





## SAV505DAWW TINA

1	27001195	TUB COVER ASSY W` GASKET <b>(S/P)</b>
2	21001748	TUBING, PVC 28` <b>(S/P)</b>
3	40076601	GASKET, TUB COVER <b>(S/P)</b>
4	40111001P	TUB, PLASTIC OUTER <b>(S/P)</b>
5	27001067	BOTTOM, OUTER TUB <b>(S/P)</b>
6	27001026	SPRING, TALL TUB <b>(S/P)</b>
7	40064301	SCREW, 1/4-15X3/4 HEX <b>(S/P)</b>
8	27001025	SPRING, COUNTERWEIGHT <b>(S/P)</b>
9	27001024	CLAMP, HOSE <b>(S/P)</b>
10	40008501	ASSEMBLY, PRESSURE BULB
11	40037801	GROMMET
12	21001905	DISPENSER, FABRIC (ONE PIECE)
13	40008001	FILTER, LINT <b>(S/P)</b>
14	40065102	SCREW, SHOULDER 1/4 <b>(S/P)</b>
15	22004042	AGITATOR/AUGER ASSY (AS PK)
16	27001052	BALANCE RING <b>(S/P)</b>
17	40063301	SCREW, 5/16-18X7/8 HX <b>(S/P)</b>
18	40000801	ASSEMBLY, WASH TUB S.S <b>(S/P)</b>