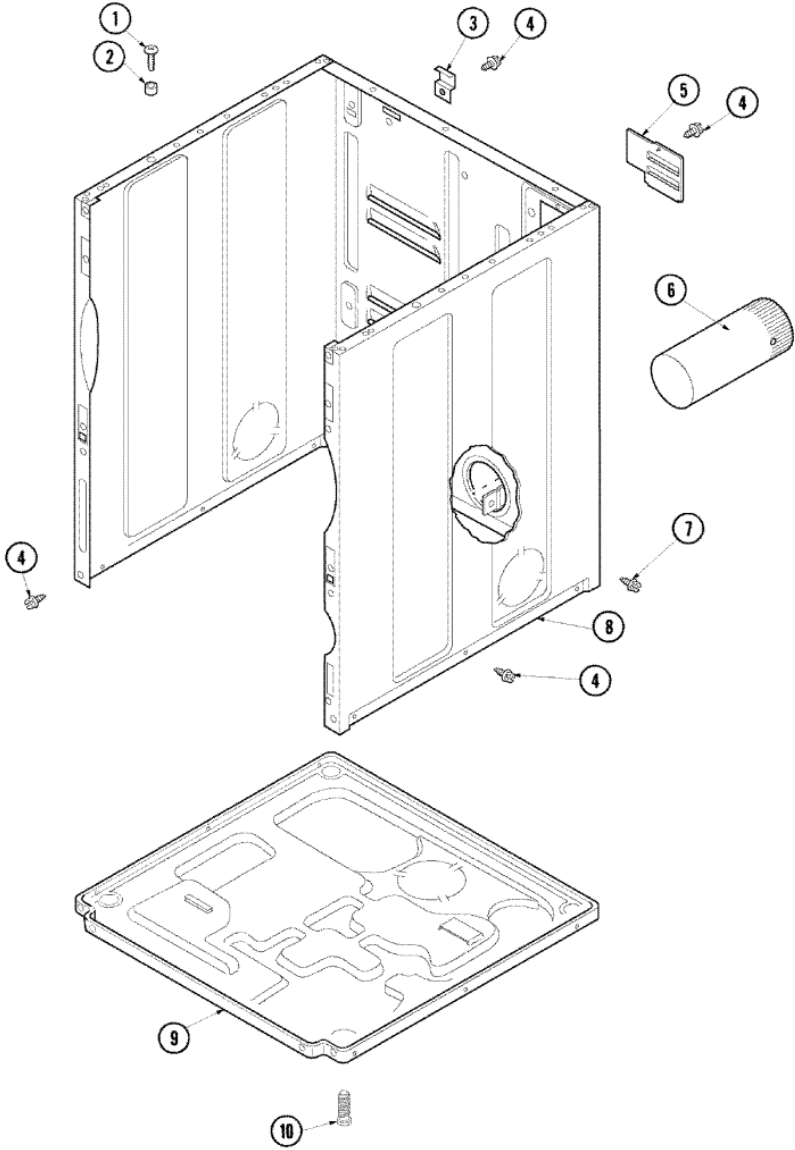


**SDG2606AWW GABINETE**

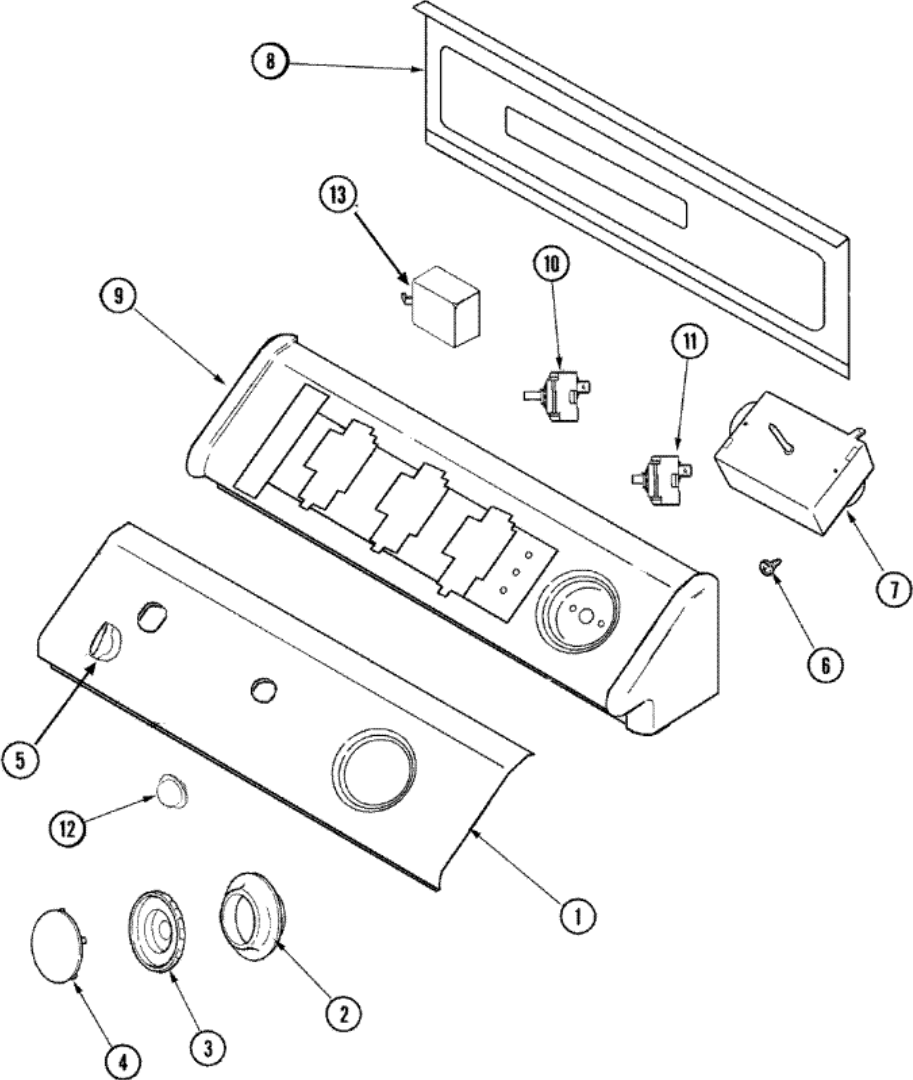




**SDG2606AWW GABINETE**

1	32671	SCREW, TAPPING <b>(S/P)</b>
2	505187	LOCATOR, PANEL <b>(S/P)</b>
3	500003	HINGE, TOP <b>(S/P)</b>
4	503661	SCREW, 10-16X.44 UNS <b>(S/P)</b>
5	500114	PANEL, ACCESS COVER <b>(S/P)</b>
6	505518	DUCT, EXHAUST <b>(S/P)</b>
7	503688	SCREW <b>(S/P)</b>
8	37001284	CABINET, DRYER & WASHER (WHT) <b>(S/P)</b>
9	500070	BASE, DRYER <b>(S/P)</b>
10	Y500101	LEG, LEVELING (PLASTIC) <b>(S/P)</b>
11	33002494	CORD, POWER (AS WRAP) <b>(S/P)</b>

**SDG2606AWW TABLERO**

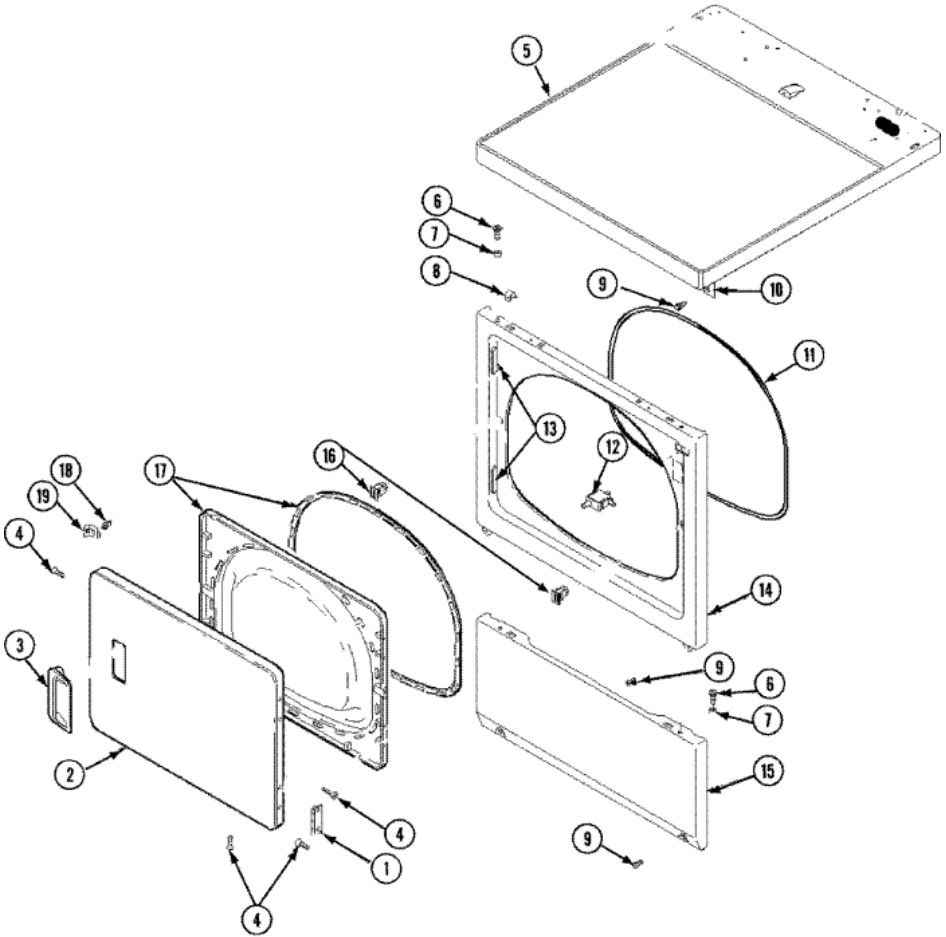




**SDG2606AWW TABLERO**

1	37001099	FACIA <b>(S/P)</b>
2	37001067	DIAL, TIMER <b>(S/P)</b>
3	37001068	KNOB, TIMER (GRAY) <b>(S/P)</b>
4	27001112	CAP, TIMER KNOB <b>(S/P)</b>
5	27001126	KNOB, SELECTOR (SILVER) <b>(S/P)</b>
6	37001031	SCREW, No.8-32X3/8`` HEX <b>(S/P)</b>
7	33001632	TIMER <b>(S/P)</b>
8	37001072	PANEL, BACK <b>(S/P)</b>
9	27001110	CONSOLE (WHT) <b>(S/P)</b>
10	33001642	SWITCH, TEMPERATURE (ELC.) <b>(S/P)</b>
11	33001618	SWITCH, PUSH-TO-START <b>(S/P)</b>
12	37001091	BUTTON, PUSH-TO-START (SLVR) <b>(S/P)</b>
13	501086	SCREW, 8B-18X3/8 SLT <b>(S/P)</b>
13	33001623	BUZZER, NON-ADJUSTABLE <b>(S/P)</b>

**SDG2606AWW PUERTA**

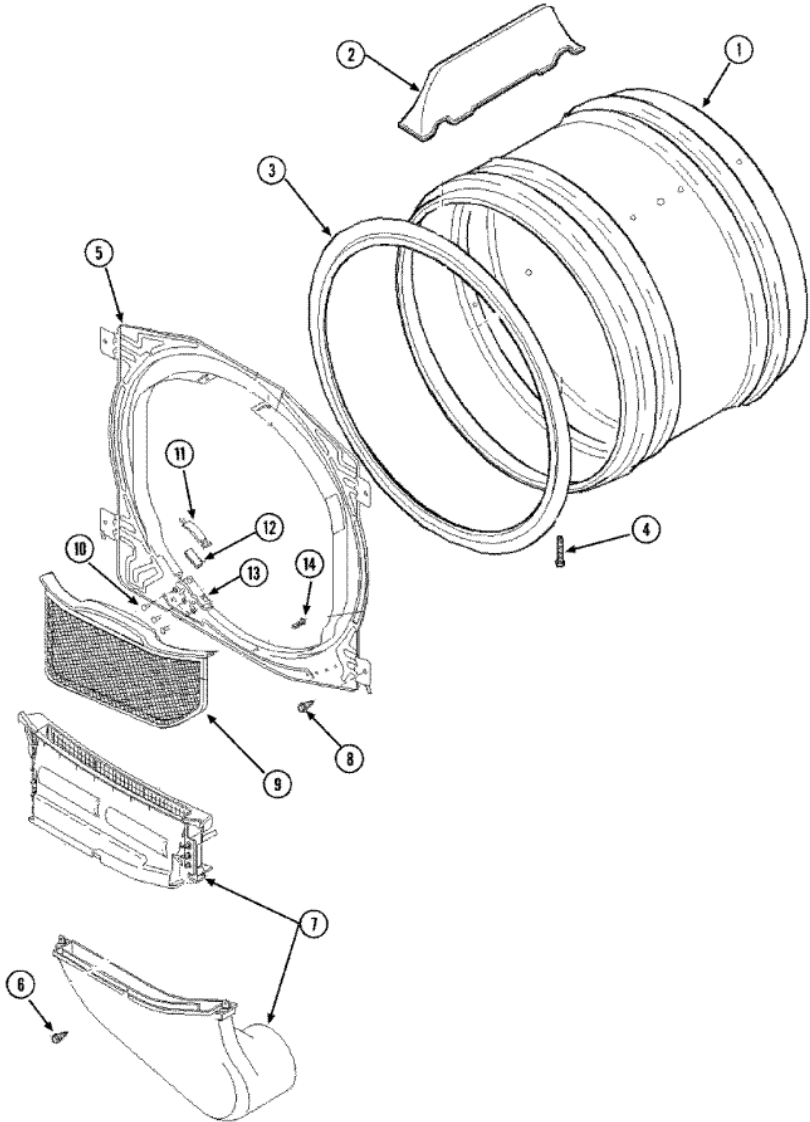




## SDG2606AWW PUERTA

1	Y503676	HINGE, DOOR & TOP <b>(S/P)</b>
2	37001029	DOOR, DRYER (WHT) <b>(S/P)</b>
3	33001241	HANDLE, DOOR (WHT) <b>(S/P)</b>
4	37001030	SCREW, No.8AB-16X3/4 FH <b>(S/P)</b>
5	Y56128	PAD, BUMPER <b>(S/P)</b>
5	37001027	PANEL, TOP (WHT) <b>(S/P)</b>
6	32671	SCREW, TAPPING <b>(S/P)</b>
7	505187	LOCATOR, PANEL <b>(S/P)</b>
8	22001650	CLIP, SPRING
9	503661	SCREW, 10-16X.44 UNS <b>(S/P)</b>
10	40130801	BRACKET, TOP MOUNT <b>(S/P)</b>
11	504005	SEAL, FRONT PANEL <b>(S/P)</b>
12	504570	SWITCH, DOOR
13	503126	PLUG, HINGE HOLE <b>(S/P)</b>
14	503656WP	PANEL, FRONT (WHT) <b>(S/P)</b>
15	40045301WP	PANEL, ACCESS (WHT) <b>(S/P)</b>
16	LA-1003	CATCH, DOOR
17	37001028	SEAL & LINER, ASSY(INNER DOOR) <b>(S/P)</b>
18	500039	STRIKE, DOOR (METAL) <b>(S/P)</b>
19	40116201	BRACKET, DOOR STRIKE <b>(S/P)</b>

**SDG2606AWW TAMBOR**



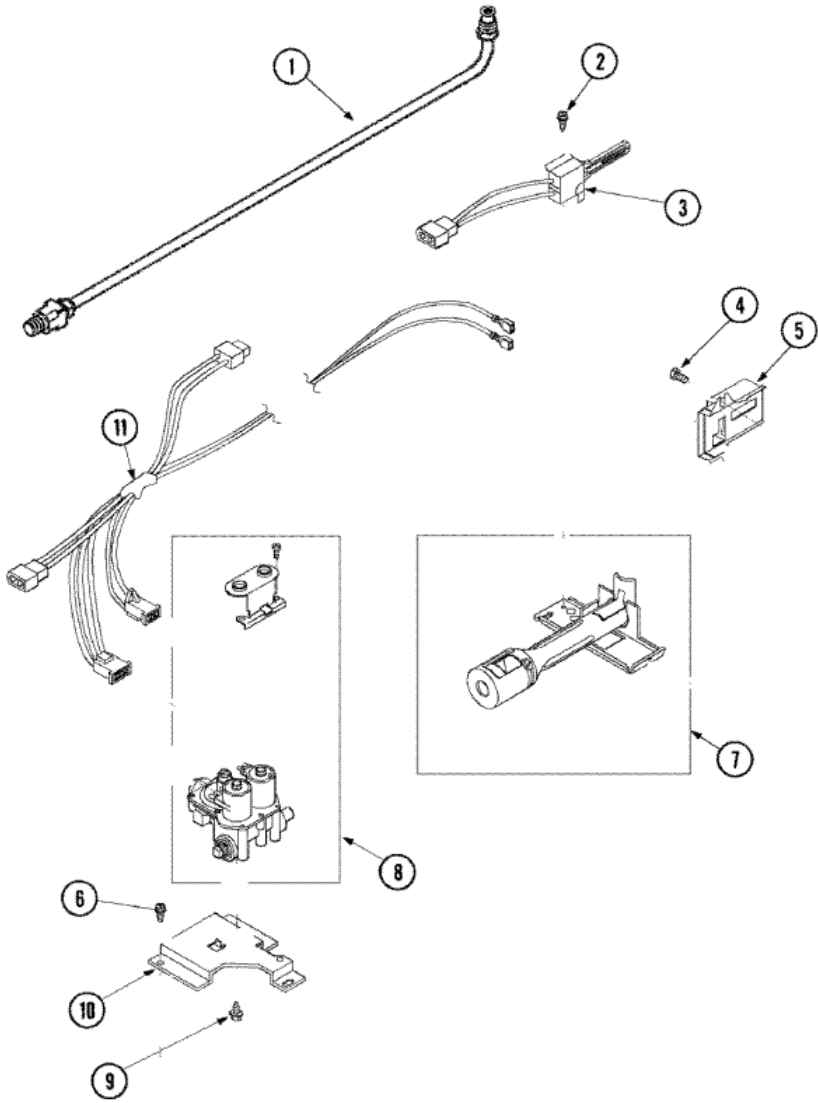


**SDG2606AWW TAMBOR**

1	504467WP	CYLINDER ASSEMBLY (PAINTED) <b>(S/P)</b>
2	12002559	BAFFLE, CYLINDER (WHT) <b>(S/P)</b>
3	37001132	SEAL, CYLINDER
4	Y62588	SCREW, 10BT-12 X 1 TAP <b>(S/P)</b>
5	503756W	ASSY, BLKHD FRONT CO <b>(S/P)</b>
6	501285	SCREW, No.12 X 9/16 <b>(S/P)</b>
7	40124501	ASSY, UPPR/LWR AIR DUCT
8	503688	SCREW <b>(S/P)</b>
9	37001142	FILTER, LINT (WHT)
10	37001031	SCREW, No.8-32X3/8`` HEX <b>(S/P)</b>
11	37001298	GLIDE, CYLINDER(TAN)
12	500092	PAD, FELT <b>(S/P)</b>
13	37001036	BRACKET, CYLINDER GLIDE <b>(S/P)</b>
14	500226	SCREW, 8B-16X5/8 TAP <b>(S/P)</b>



**SDG2606AWW QUEMADOR**

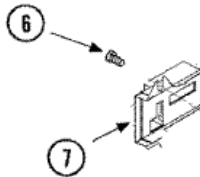
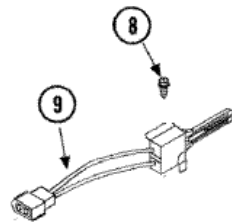
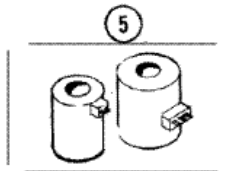
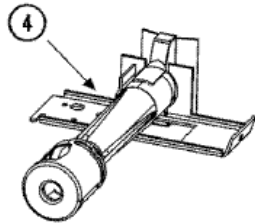
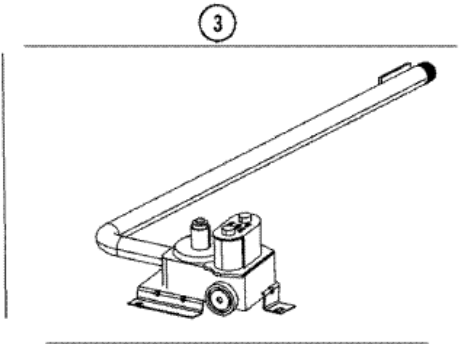
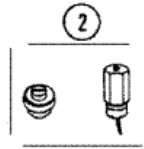
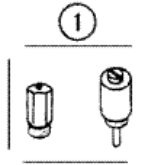




**SDG2606AWW QUEMADOR**

1	37001127	PIPE, LEAD-IN <b>(S/P)</b>
2	51782	SCREW, 6B-20X5/16 <b>(S/P)</b>
3	37001308	IGNITER & BRACKET ASSEMBLY
4	23222	SCREW, 8B-18 X 1/4 HE <b>(S/P)</b>
5	338906	SENSOR, FLAME
6	503688	SCREW <b>(S/P)</b>
7	56234	ASSEMBLY, BURNER
8	37001002	ASSEMBLY, GAS VALVE <b>(S/P)</b>
8	279834	COIL KIT, GAS DRYER VALVE (2)
9	56124	SCREW, 8T-32X3/8 HE <b>(S/P)</b>
10	500821	BRACKET, MOUNTING <b>(S/P)</b>
11	37001007	HARNESS, WIRE (GAS VALVE) <b>(S/P)</b>
12	650P3	LP TO NATURAL CONVERSION KIT <b>(S/P)</b>
12	649P3	NATURAL TO LP CONVERSION KIT <b>(S/P)</b>

**SDG2606AWW VALVULA**

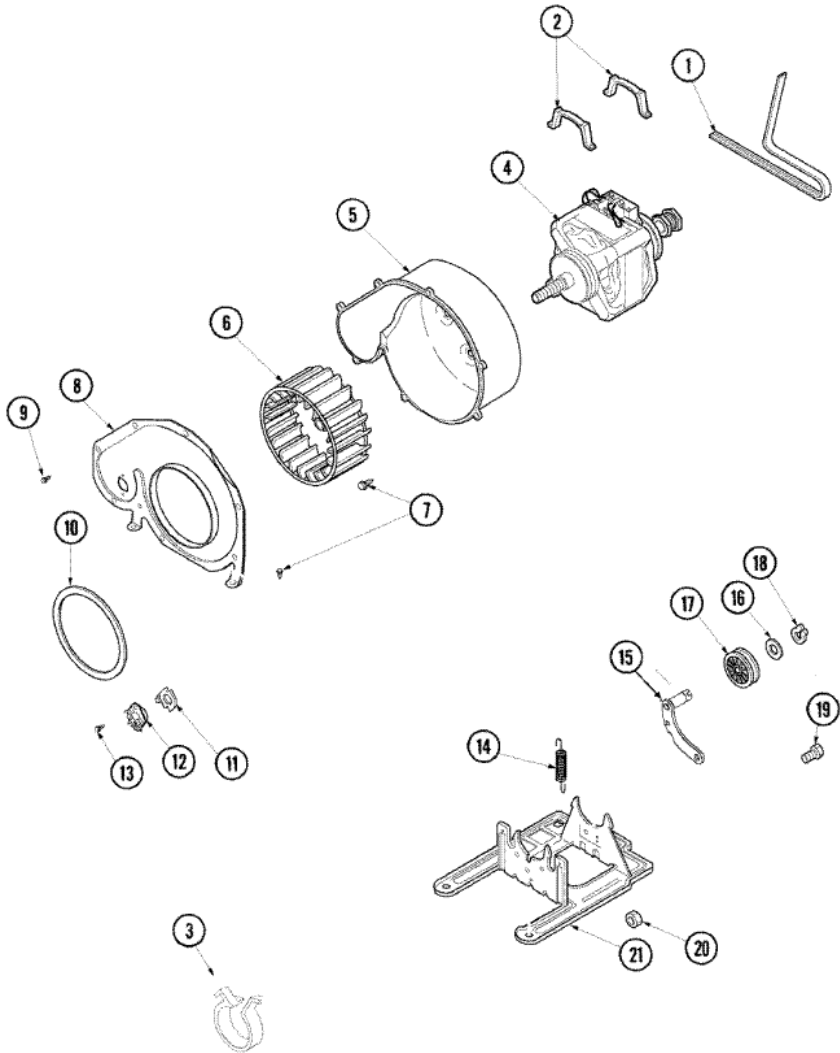




## SDG2606AWW VALVULA

1	649P3	NATURAL TO LP CONVERSION KIT <b>(S/P)</b>
2	650P3	LP TO NATURAL CONVERSION KIT <b>(S/P)</b>
3	37001127	VALVE & PIPE ASSY <b>(S/P)</b>
4	56234	ASSEMBLY, BURNER
5	279834	COIL KIT, GAS DRYER VALVE (2)
6	23222	SCREW, 8B-18 X 1/4 HE <b>(S/P)</b>
7	338906	SENSOR, FLAME
8	51782	SCREW, 6B-20X5/16 <b>(S/P)</b>
9	37001308	IGNITER & BRACKET ASSEMBLY

**SDG2606AWW MOTOR**

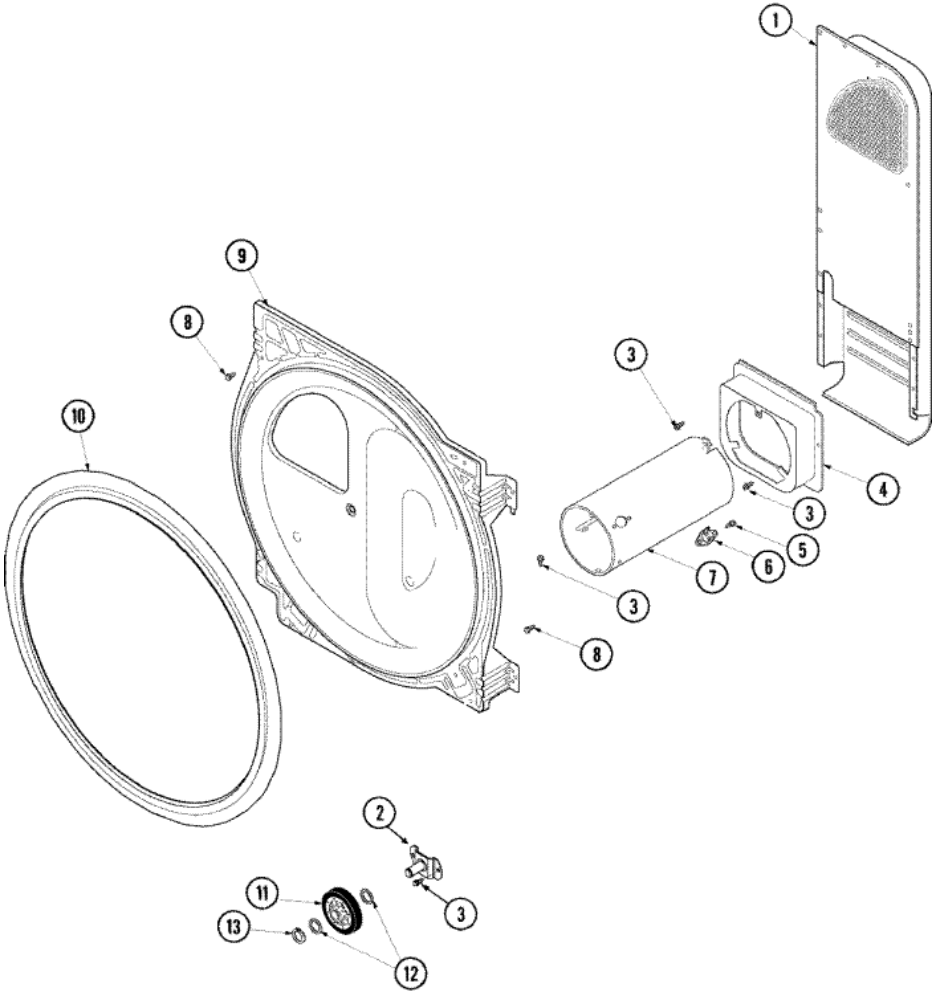




## SDG2606AWW MOTOR

1	40111201	BELT, CYLINDER
2	343481	CLAMP, MOTOR MOUNT
3	504034	CLIP, WIRE (S/P)
4	2200376	MOTOR
5	511969P	HOUSING, BLOWER
6	56000	ASSEMBLY, BLOWER FAN
7	503661	SCREW, 10-16X.44 UNS (S/P)
8	500078	<b>DESCONTINUADO</b>
9	31260	SCREW, No.8 X 3/8 IND H (S/P)
10	37001119	SEAL, BLOWER HOUSING (S/P)
11	61623	HEATER, THERMOSTAT
12	503979	THERMOSTAT (CYCLING PK/WHT) (S/P)
12	37001136	THERMOSTAT, CYCLING 146F (S/P)
13	31260	SCREW, No.8 X 3/8 IND H (S/P)
14	56076	SPRING, IDLER (S/P)
15	37001144	ASSY, IDLER LEVER (S/P)
16	52549	WASHER, 501 ID X3/4 ODX (S/P)
17	510142P	ASSEMBLY, WHEEL & BEARING
18	23748	RING, RETAINING (S/P)
19	500824	SCREW, 1/4-20 UNC HEX (S/P)
20	27001225	NUT, HEX JAM 1/4-20L (S/P)
21	503613	MOUNT, MOTOR (S/P)

**SDG2606AWW RESISTENCIA**





## SDG2606AWW RESISTENCIA

1	503605	ASSEMBLY, HEATER DUCT <b>(S/P)</b>
2	40113601	ASSY, ROLLER BRKT
3	503688	SCREW <b>(S/P)</b>
4	500122	<b>DESCONTINUADO</b>
5	51782	SCREW, 6B-20X5/16 <b>(S/P)</b>
6	40113801	FUSE, THERMAL
6	489P3	THERMOSTAT, LIMIT
7	37001303	DUCT, COMBUSTION <b>(S/P)</b>
8	503661	SCREW, 10-16X.44 UNS <b>(S/P)</b>
9	502614WP	BULKHEAD, REAR <b>(S/P)</b>
10	37001132	SEAL, CYLINDER
11	37001042	ASSEMBLY, CYLINDER ROLLER
12	52549	WASHER, 501 ID X3/4 ODX <b>(S/P)</b>
13	23748	RING, RETAINING <b>(S/P)</b>