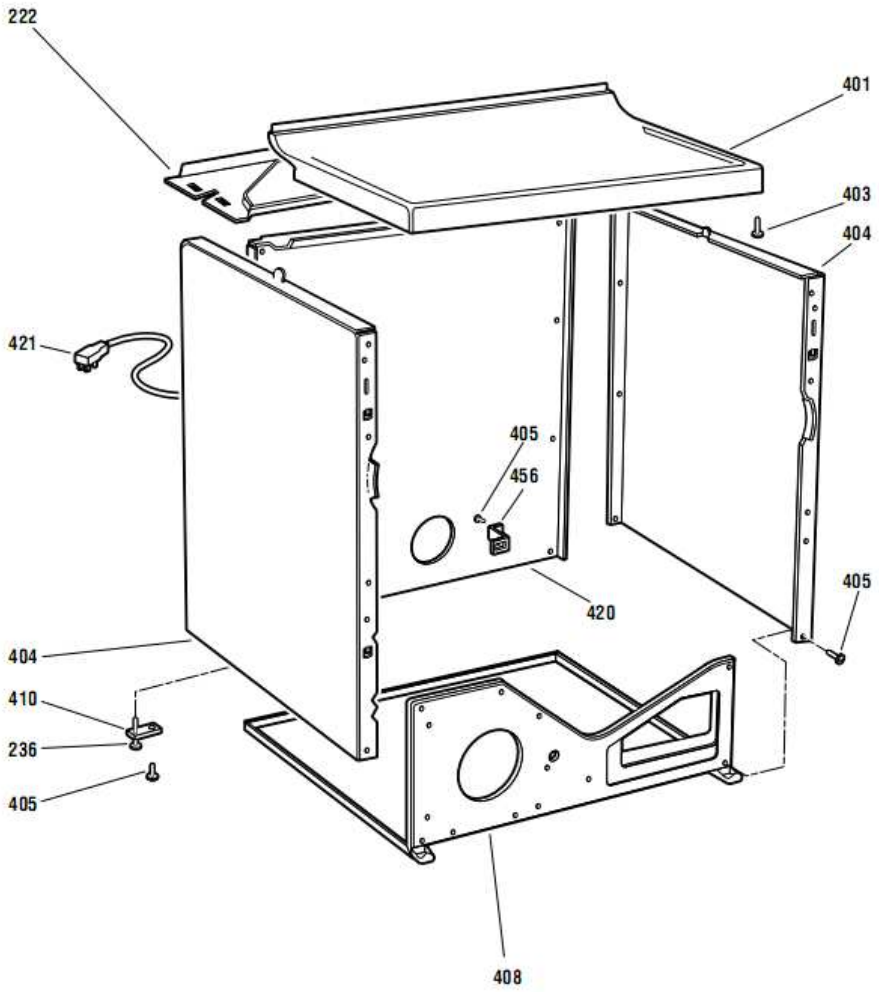
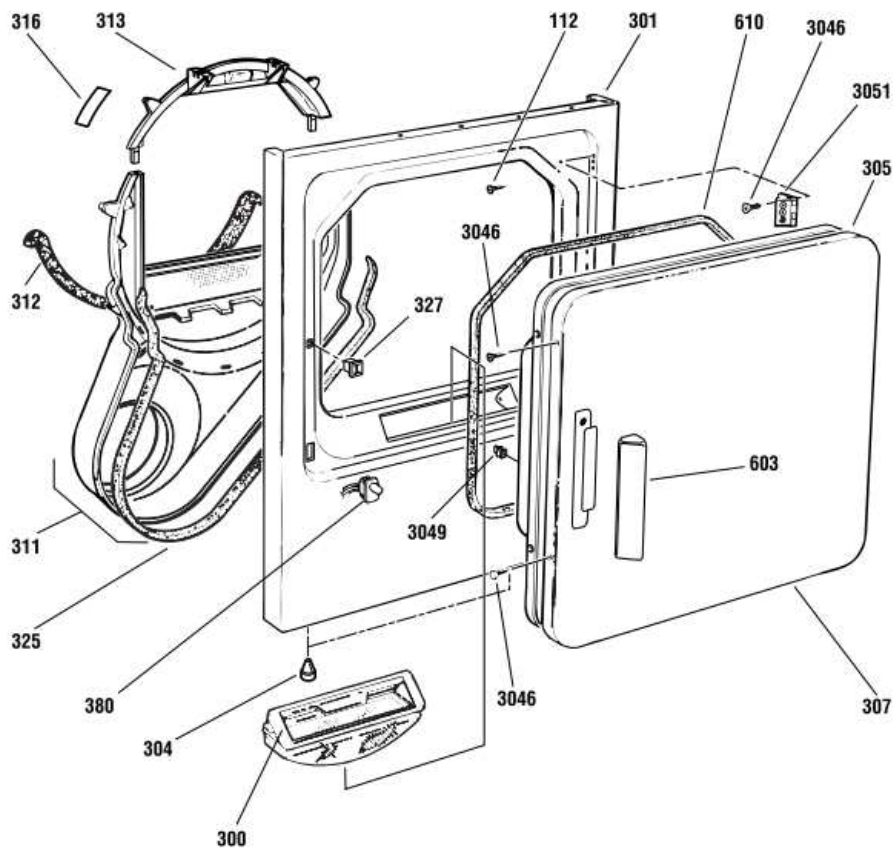
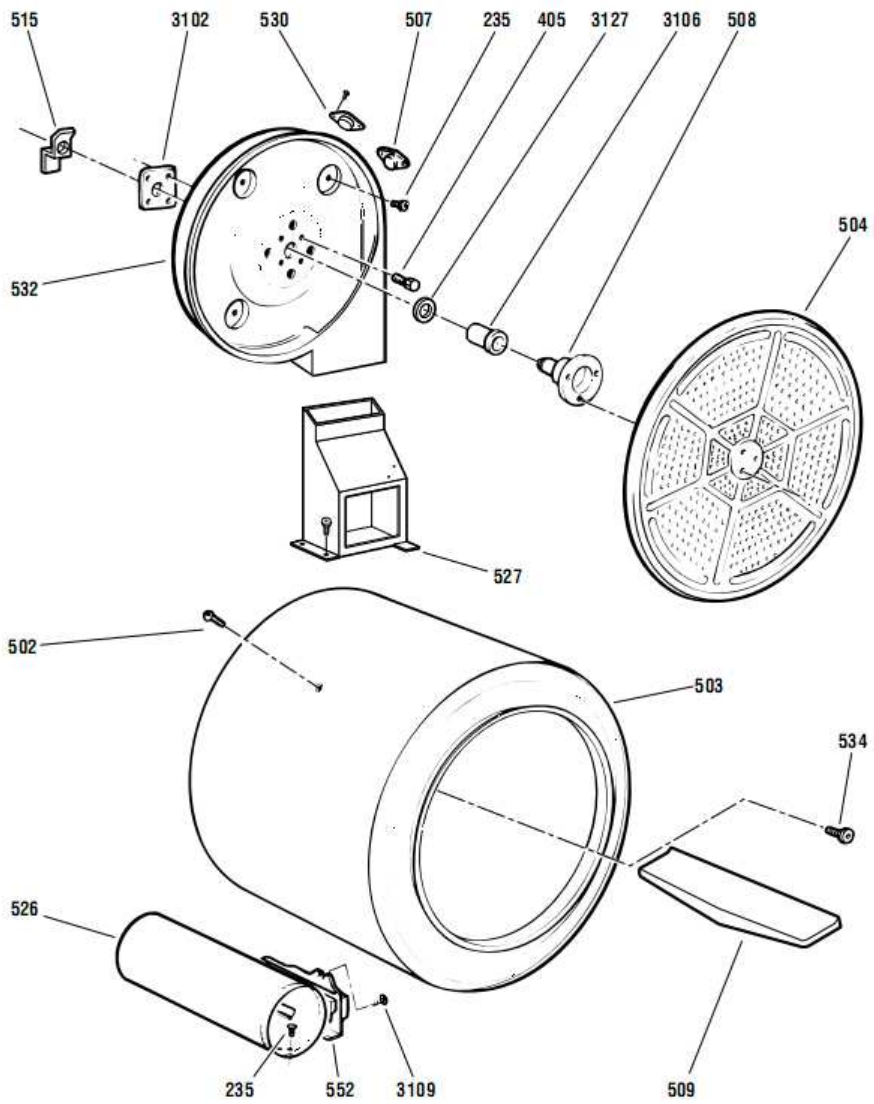


SEA233PC0WW





SEA233PC0WW

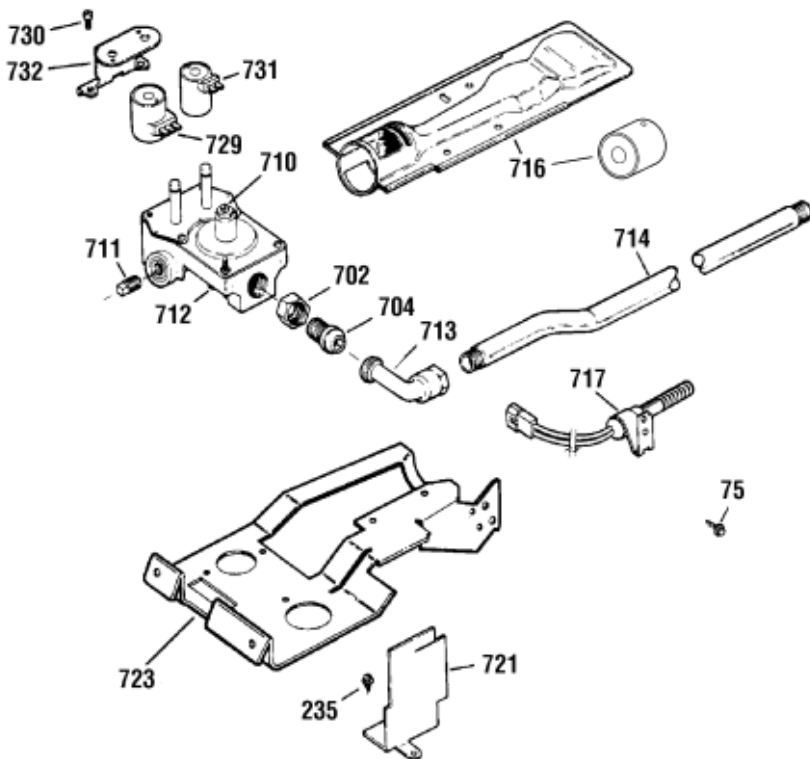


Distribuidor Autorizado

SurteRápido.com

Venta de Refacciones
Electrodomesticas

SEA233PC0WW

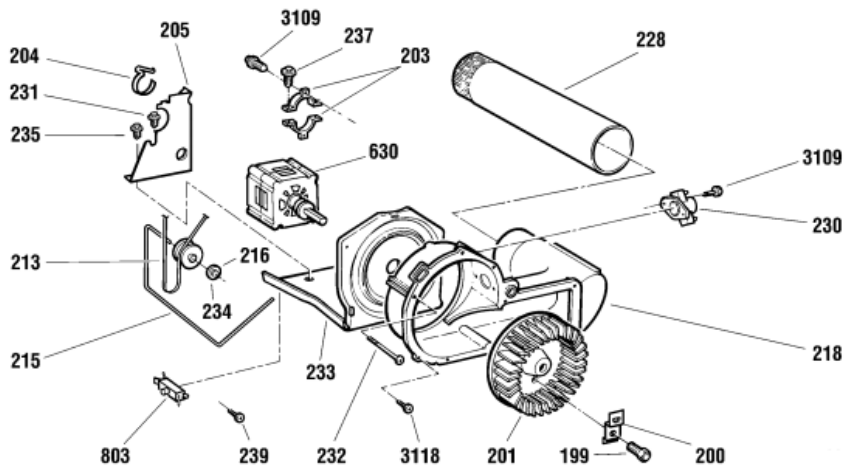
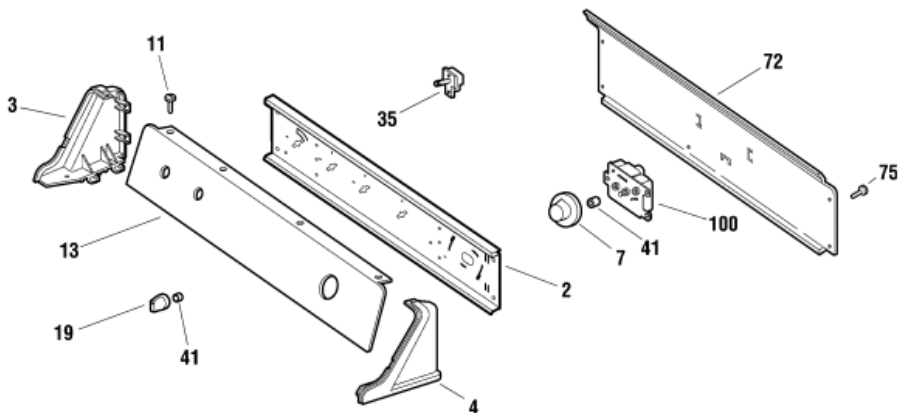


Distribuidor Autorizado

SurteRápido.com

Venta de Refacciones
Electrodomesticas

SEA233PC0WW





SEA233PC0WW

| | | |
|-----|------------|---------------------------------|
| 2 | WH46X10073 | SWITCH SUPPORT (S/P) |
| 3 | WE19M1418 | END CAP LH (S/P) |
| 4 | WE19M1419 | END CAP RH (S/P) |
| 7 | WE1M484 | TIMER KNOB ASM. (WHITE) (S/P) |
| 11 | WE2M195 | SCREW " CHROME " (S/P) |
| 13 | WE19M1376 | SWITCH TRIM (WHITE) (S/P) |
| 19 | WE1M501 | KNOB ASM. (WHITE) (S/P) |
| 35 | WE4M326 | START SWITCH (S/P) |
| 72 | WE20X814 | REAR PANEL (S/P) |
| 75 | WE2M173 | SCREW (S/P) |
| 100 | WE4M306 | TIMER (S/P) |
| 112 | WE1M384 | BEAUTY BUTTON-WHT (S/P) |
| 199 | WE2M98 | SCREW (S/P) |
| 200 | WE00M111 | BLOWER CLAMP BLACK (S/P) |
| 200 | WE00M112 | BLOWER CLAMP GREEN (S/P) |
| 201 | WE16M15 | BLOWER WHEEL (S/P) |
| 203 | WE13X200 | STRAP MOTOR (S/P) |
| 204 | WE1X921 | MOTOR BRACKET (S/P) |
| 205 | WE13M39 | MOTOR SUPPORT (S/P) |
| 205 | WE2M200 | SCREW (S/P) |
| 213 | 134503900 | BELT DRIVE |
| 216 | WE12X83 | IDLER PULLEY |
| 218 | WE1M473 | GASKET SEAL (S/P) |
| 218 | WE14M93 | BLOWER HOUSING (S/P) |
| 222 | WE20M253 | BOTTOM COVER (S/P) |
| 222 | WE2M189 | SCREW (S/P) |
| 228 | WE14M90 | EXHAUST PIPE (S/P) |
| 230 | WE4M127 | THERMOSTAT (S/P) |
| 231 | WE2M187 | SCREW (S/P) |
| 232 | WE2M156 | SCREW (S/P) |
| 233 | WE13M35 | MOTOR PLATE (S/P) |
| 234 | WE2X329 | CAP NUT (S/P) |
| 235 | WE1M280 | SCREW (S/P) |

| | | |
|-----|----------|--|
| 236 | WE1M642 | LEVELLING SCREW (S/P) |
| 237 | WE2M154 | SCREW (S/P) |
| 239 | WE2M167 | SCREWS (S/P) |
| 300 | WE18M28 | FILTER FRAME ASM |
| 301 | WE20M405 | FRONT PANEL "WHITE" (S/P) |
| 304 | WE2M188 | STABILIZING LEG ASM. (S/P) |
| 305 | WE10M109 | INNER DOOR "WHITE" (S/P) |
| 307 | WE10M96 | DOOR PANEL "WHITE" (S/P) |
| 311 | WE14M92 | TRAP DUCT ASM |
| 312 | WE9M15 | FELT |
| 313 | WE3M26 | TOP BEARING |
| 316 | WE1M504 | BEARING-SLIDE WHITE |
| 316 | WE1M481 | BEARING-SLIDE GREEN |
| 325 | WE00M169 | GASKET (SEAL) (S/P) |
| 327 | WE1M536 | LATCH (S/P) |
| 380 | WE4M126 | DOOR SWITCH |
| 401 | WE20M286 | COVER "WHITE" (S/P) |
| 403 | WE2M160 | SCREW #8 (S/P) |
| 404 | WE20M260 | SIDE PANEL "WHITE" (S/P) |
| 405 | WE2X263 | SCREW (S/P) |
| 408 | WE20M398 | CABINET BASE (S/P) |
| 410 | WE1M527 | FRONT BRACKET LEVEL LEG (S/P) |
| 410 | WE1M467 | LEVELLING LEG & BRACKET ASM. FRONT (S/P) |
| 410 | WE1M468 | LEVELLING LEG & BRACKET ASM. REAR (S/P) |
| 410 | WE1M528 | REAR BRACKET LEVEL LEG (S/P) |
| 420 | WE2M193 | PUSH MOUNT CABLE TIE (S/P) |
| 420 | WE20M301 | REAR PANEL 6 C.F. (S/P) |
| 421 | WZ5X158 | SCREW GROUND (S/P) |
| 421 | WE1X1091 | CABLE CLIP (S/P) |
| 421 | WE26M341 | CORDSET (S/P) |
| 456 | WE1X617 | PIPE CLAMP SUPPORT (S/P) |
| 502 | WE2M174 | SCREW #10 (S/P) |
| 503 | WE21M14 | DRUM ASM 6.0 CU.FT (S/P) |
| 504 | WE14M77 | DEFLECTOR HEAT (S/P) |
| 507 | WE4M181 | THERMOSTAT (S/P) |
| 508 | WE25M40 | SHAFT & BRACKET ASS'Y |
| 509 | WE14M75 | BAFFLE (S/P) |
| 515 | WE1X1172 | GROUND STRAP (S/P) |

| | | |
|------|------------|---------------------------------|
| 526 | WE14M91 | COMBUSTION CHAMBER (S/P) |
| 527 | WE14M88 | DUCT TRANSITION (S/P) |
| 530 | WE4M80 | THERMOSTAT (S/P) |
| 215 | WE3M25 | IDLER ARM |
| 532 | WE14M134 | DIFFUSER GAS & PLATE ASM. (S/P) |
| 534 | WE2M163 | SCREW (S/P) |
| 552 | WE4X448 | DETECTOR ASM. |
| 603 | WE1M463 | HANDLE "WHITE" |
| 610 | WE9M13 | GASKET (S/P) |
| 630 | WE17M22 | MOTOR USE (WE17X10010) |
| 702 | WE2X319 | NUT (S/P) |
| 704 | WE2X396 | NIPPLE, SHUTOFF VALVE (S/P) |
| 710 | WE1X1076 | LEAK LIMITER (S/P) |
| 712 | WE14M74 | VALVE ASM GAS - PROPANE (S/P) |
| 713 | WE14X239 | ELBOW ASM (S/P) |
| 714 | WE1M512 | PIPE & LUG ASM. (S/P) |
| 716 | WE14M104 | BURNER ASM. (S/P) |
| 716 | WD2M101 | SCREW (S/P) |
| 716 | WE1M486 | SHUTTER BURNER (S/P) |
| 717 | WE4X739 | IGNITOR |
| 721 | WE13X118 | BRACKET SPACER (S/P) |
| 723 | WE13X195 | BRACKET GAS VALVE (S/P) |
| 729 | WE04X0692 | COIL DUAL (S/P) |
| 730 | WE02X0333 | SCREW (COIL MTG BRKT) (S/P) |
| 731 | WE04X0693 | COIL MAIN (S/P) |
| 732 | WE13X0169 | BRKT. COIL (S/P) |
| 803 | WD21X10261 | SWITCH INTERLOCK |
| 3046 | WE2M170 | SCREW #8 (S/P) |
| 3049 | WE1X1192 | STRIKE (S/P) |
| 3051 | WE1M505 | HINGE (S/P) |
| 3102 | WE1M300 | BEARING RETAINER (S/P) |
| 3106 | WE1M462 | SLEEVE DRUM SHAFT (S/P) |
| 3109 | WE2M154 | SCREW (S/P) |
| 3118 | WE2M174 | SCREW # 10 (S/P) |
| 3127 | WE1M461 | O RING (S/P) |