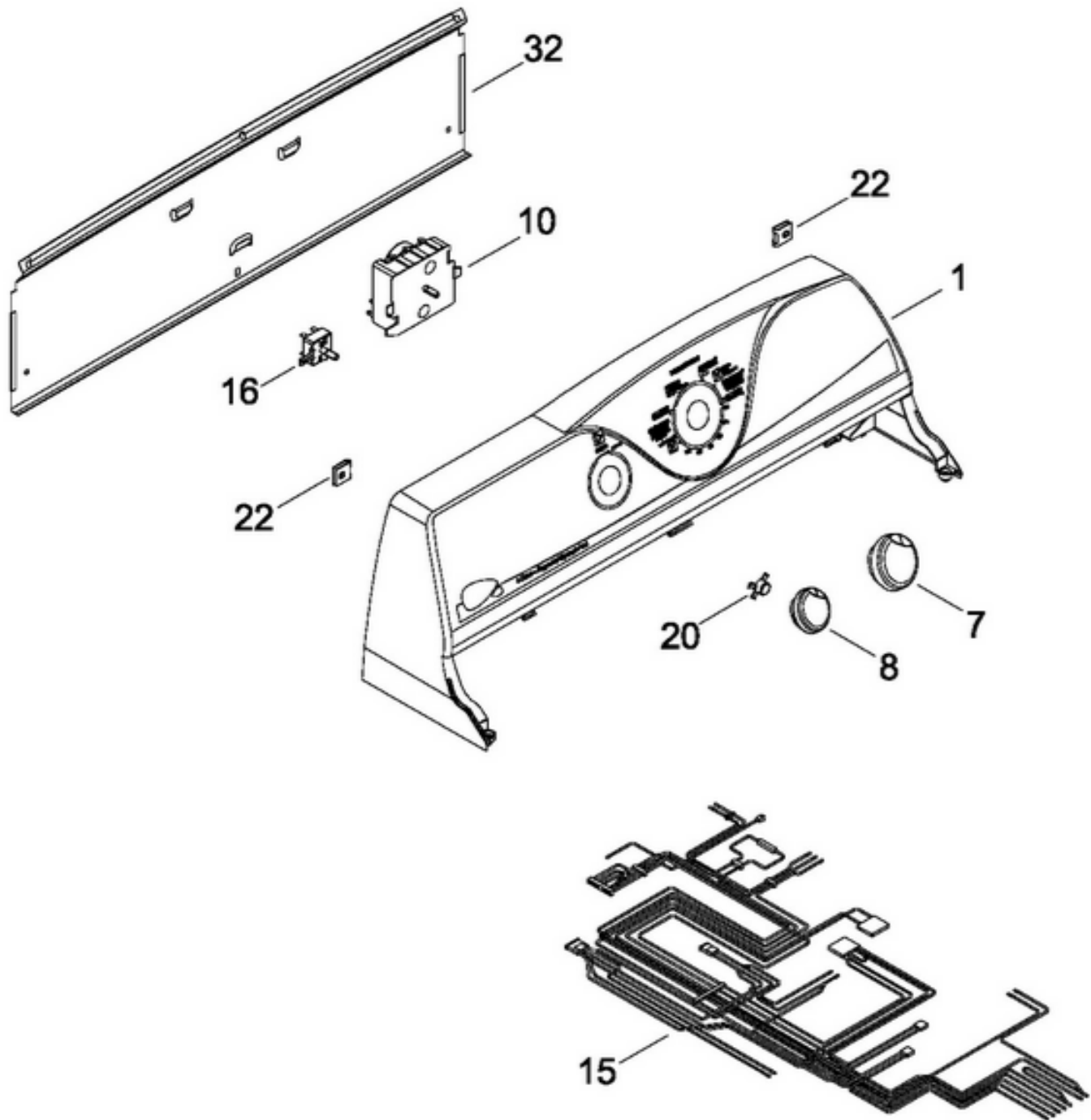
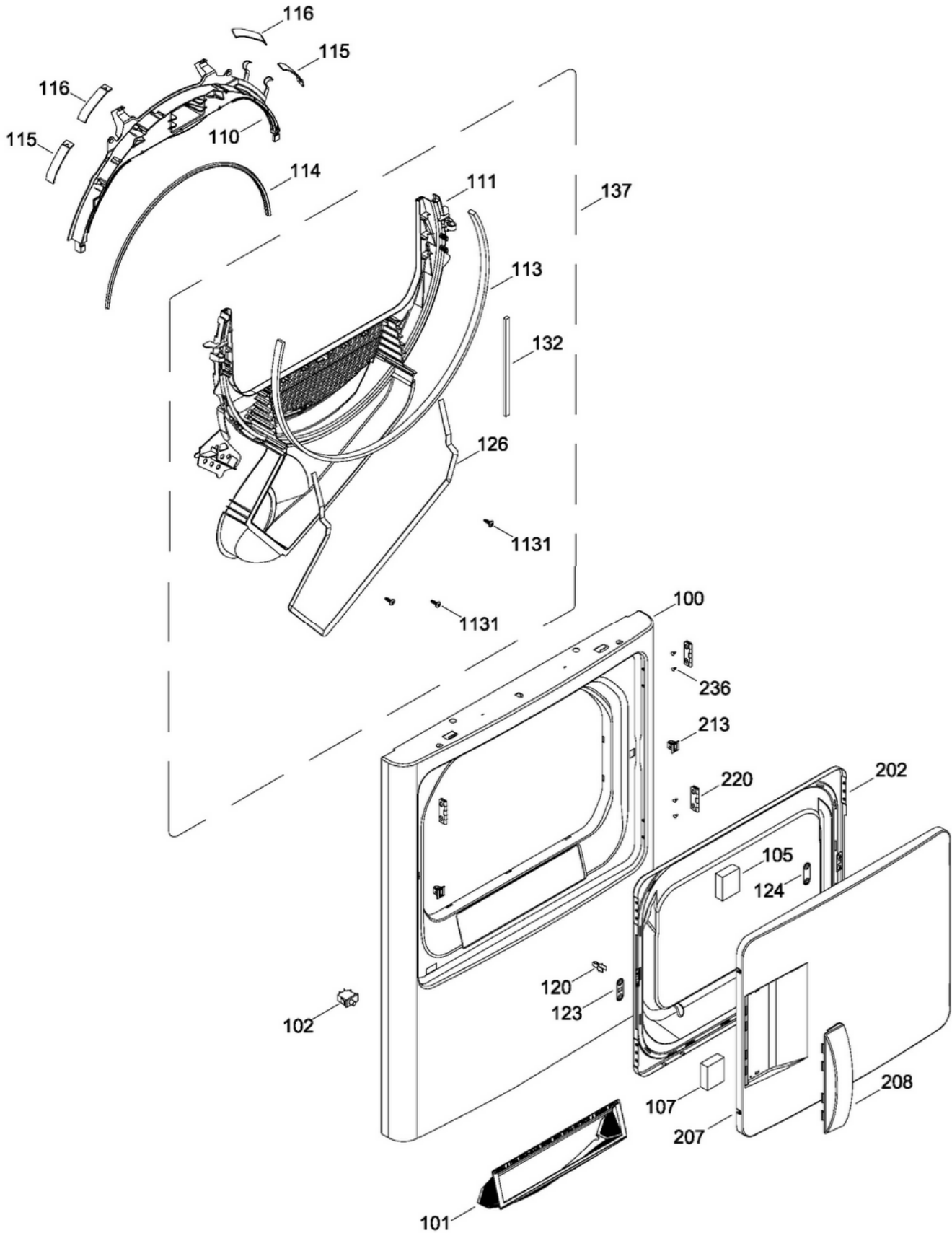


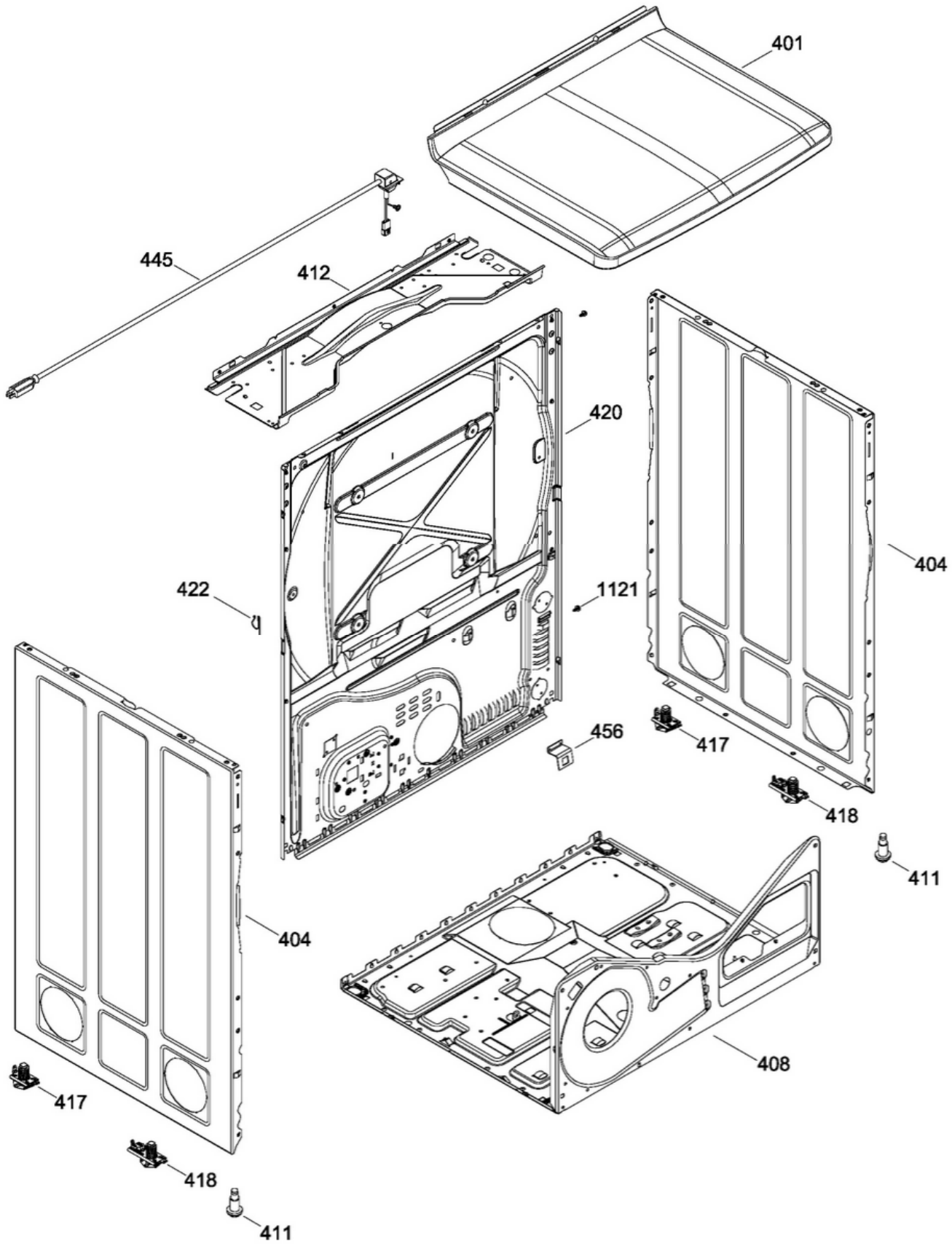
SECADORA SEC620DPBB00



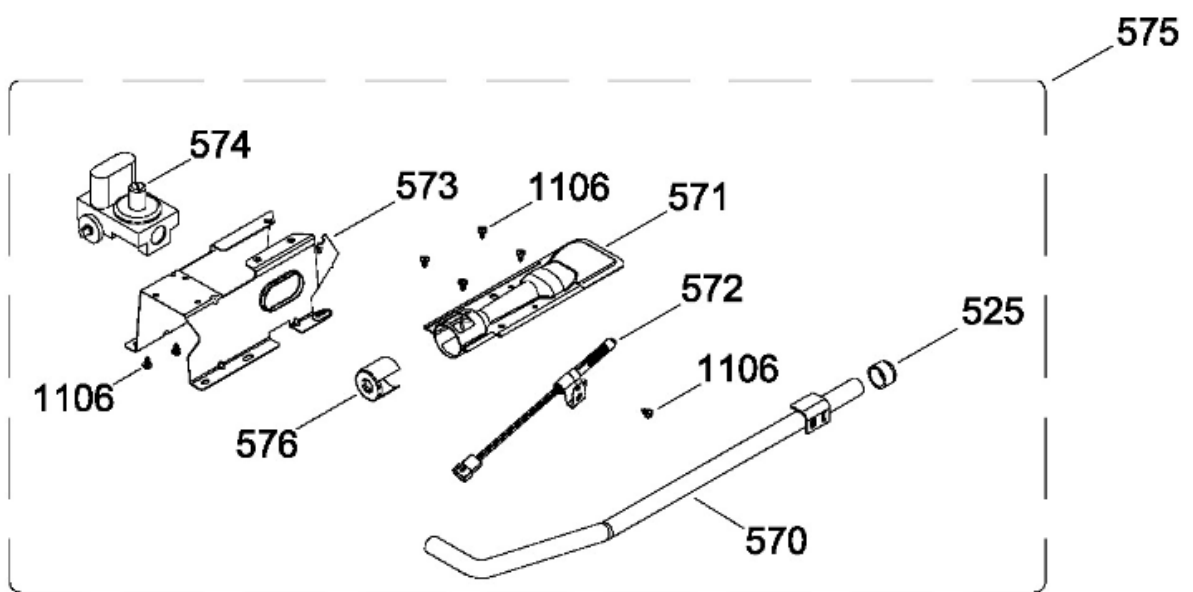
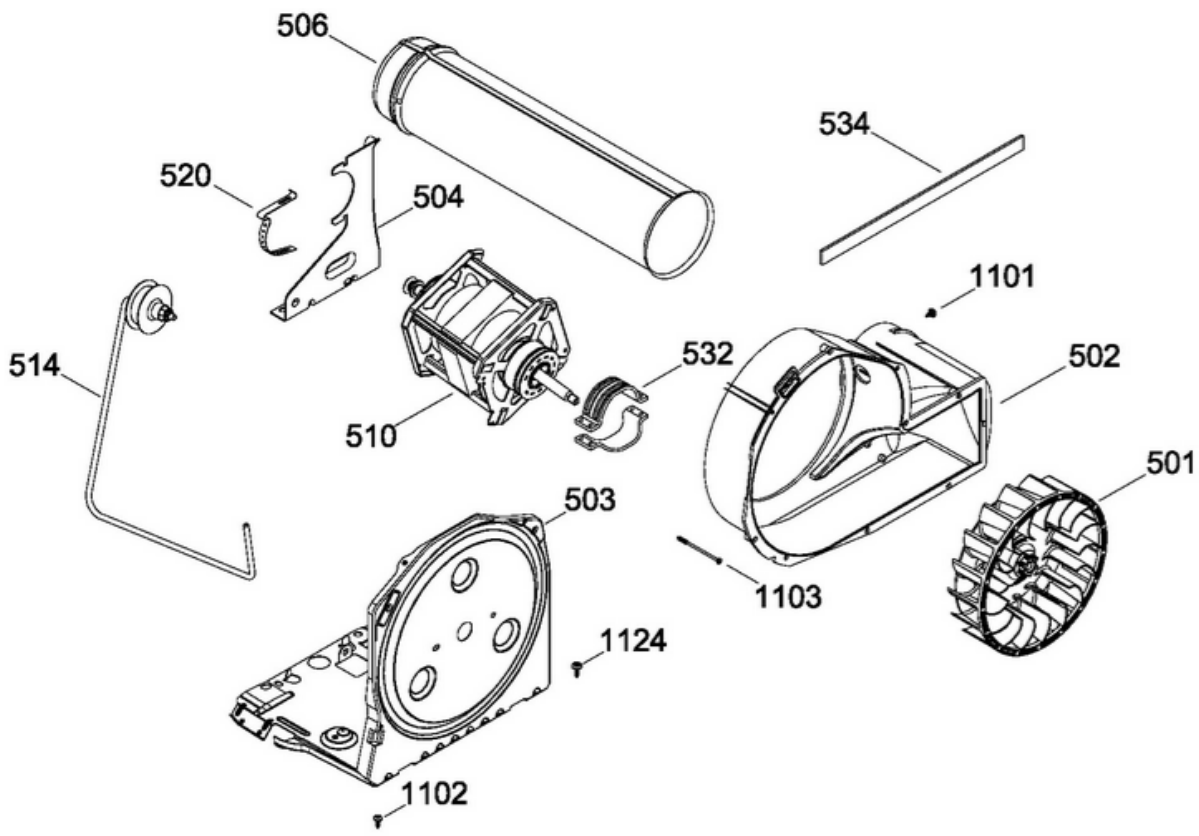
SECADORA SEC620DPBB00



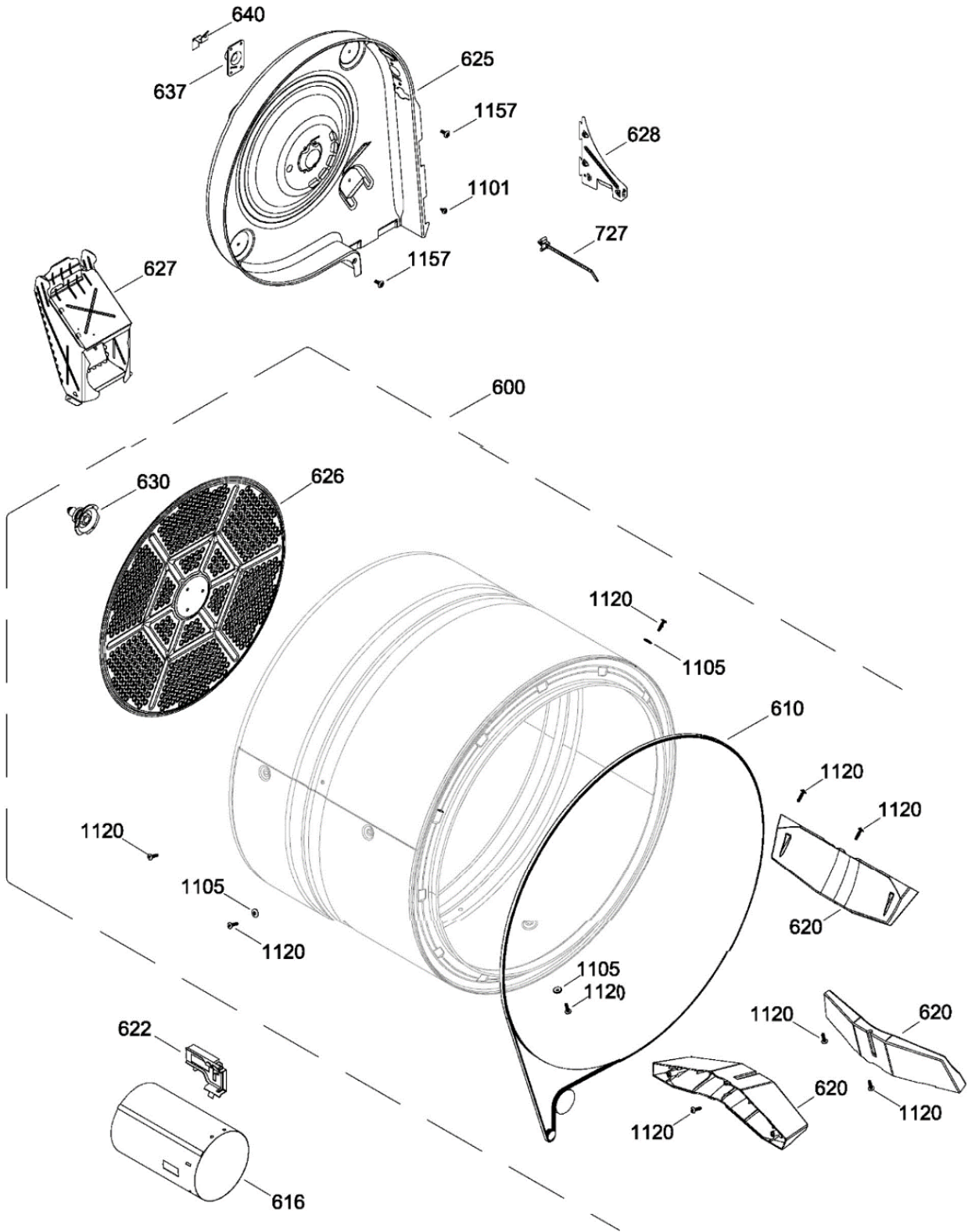
SECADORA SEC620DPBB00



SECADORA SEC620DPBB00



SECADORA SEC620DPBB00





SECADORA SEC620DPBB00

Guía	Componente	Descripción
1	189D5407G015	BACKSPLASH AND GRAPHIC
7	189D3777G005	KNOB CONTROL ASSEMBLY WHITE (S
7	323B2370G012	KNOB CONTROL ASSEMBLY WHITE (S
8	189D3778G005	KNOB ROTARY ASSEMBLY WHITE (SP
10	234D1296P011	RELOJ
15	189D7015G001	ARNES
15	189D7015G013	ARNES
16	212D1094P004	INTERRUPTOR ROTATORIO
20	323B2623P001	BUJE PARA PEILLA
22	323B2285P001	TUERCA
32	212D1827P001	BACK PANEL
100	189D5117P002	PANEL FRONTAL
101	212D1660P002	FILTRO ATRAPAPELUSA
101	189D7054G014	FILTRO ATRAPAPELUSA
102	248C1157P001	INTERRUPTOR PUERTA
105	323B4001P002	SEPARADOR PUERTA
107	323B4001P003	ESPACIADOR PUERTA
110	234D1674P001	COJINETE SUP.
110	234D1978G003	COJINETE SUP.
111	234D1198P001	DUCTO
111	234D1198P003	DUCTO
113	323B4099P003	FELPA DUCTO RECOLECTOR
114	572D359P002	SELLO PUERTA
115	540B387P001	BEARING_SLIDE
116	540B387P002	BEARING_SLIDE
120	143B9304P001	STRIKE
123	248C1028P001	STRIKE PLATE
124	248C1028P002	STRIKE PLATE
126	136B9174P201	GASKET FOAM
132	136B9174P194	SELLO
132	136B9174P202	SELLO
137	189D7054G002	DUCTO TRAMPA ENS (SIN SENSORES)
137	189D7054G013	DUCTO TRAMPA ENS (SIN SENSORES)
202	189D5223P004	INNER DOOR
207	189D5118P004	DOOR OUTER



SECADORA SEC620DPBB00

Guía	Componente	Descripción
208	228C2419P008	JALADERA PUERTA
213	364B6004G001	LATCH ASM.
220	267A3218P012	BISAGRA
220	254C1041P001	BISAGRA
236	323B4040P001	BOTON BELLEZA
401	189D7021G003	CUBIERTA SUPERIOR BLANCA ENS
404	189D7020P013	PANEL LATERAL
408	212D1535P008	BASTIDOR
411	540B364G001	PATA ESTABILIZADORA ENS.
412	234D1604P001	CUBIERTA INFERIOR
417	248C1143G001	ENS. SOPORTE POST.
418	248C1144G001	ENS. SOPORTE FRONT.
420	234D1514P001	PANEL POSTERIOR
420	234D1514P002	PANEL POSTERIOR
422	267A3165P001	CORD SET RETAINER
445	248C1142P001	POWER CORD
445	559C210P007	POWER CORD
456	141A5987P002	BRIDE
501	234D1593P001	VENTILADOR REDONDO
502	212D1503P003	CARCAZA ASPAS
502	212D1503P006	CARCAZA ASPAS
503	234D1526P004	BASE MOTOR
503	234D1526P001	BASE MOTOR
503	234D2653P001	BASE MOTOR
504	559C001P006	SOPORTE MOTOR
506	572D559P003T	CONDUCTO DE ESCAPE
506	189D7032P003	CONDUCTO DE ESCAPE
510	234D1158G001	MOTOR POLEA ENS.
510	234D2415G002	MOTOR POLEA ENS.
514	189D7031G001	ENS. BRAZO AUXILIAR
514	189D7031G002	ENS. BRAZO AUXILIAR
520	717B299P001	CLIP MOTOR
525	102A3160P174	TAPA
532	123C7934P001	CORREA MOTOR
534	364B7029P001	EMPAQUE ESCAPE SOPLADOR



SECADORA SEC620DPBB00

Guía	Componente	Descripción
534	364B7118P003	EMPAQUE ESCAPE SOPLADOR
570	254C1047G001	ENSAMBLE TUBERIA DE GAS
571	248C1176G001	QUEMADORES
572	123C7632G001	ALLUME-GAZ
572	248C1186P002	ALLUME-GAZ
573	212D1549P001	GAS VALVE BRACKET
573	212D1549P003	GAS VALVE BRACKET
574	572D366G001	VALVUAL DE GAS ENS.
575	228C4003G002	VALVULA Y QUEMADOR ENS
576	540B336P001	AIRADOR
600	189D7026G001	ENS. TAMBOR
610	559C197P005	BANDA SECADORA
616	228C4002P002	TUBO DE COMBUSTION
620	572D223P004	BAFFLE
622	109B8868G001	DETECTOR TERMOSTATO
625	234D1568P001	DIFUSOR DE GAS
626	233D1581P003	DIFUSOR
627	189D7033P001	DUCTO DE TRANSICION
627	189D7033P003	DUCTO DE TRANSICION
628	233D1583P003	PLATO DIFUSOR
630	248C1156G001	ENS. SOPORTE BUJE
637	161B3251P004	RETENEDOR RODAMIENTO
640	278B1309G002	SOPORTE TIERRA ENS
727	323B1455P001	TIE WRAP ARNESS
727	228C2109P003	TIE WRAP ARNESS
1101	540B006P020	TORNILLO
1101	278B1440P002	TORNILLO
1102	540B006P001	TORNILLO
1102	278B1440P002	TORNILLO
1103	540B006P046	TORNILLO
1105	102A3143P120	ARANDELA
1106	540B004P002	SCREW
1120	540B006P033	TORNILLO
1121	109B3403P052	TORNILLO
1124	540B006P032	TORNILLO