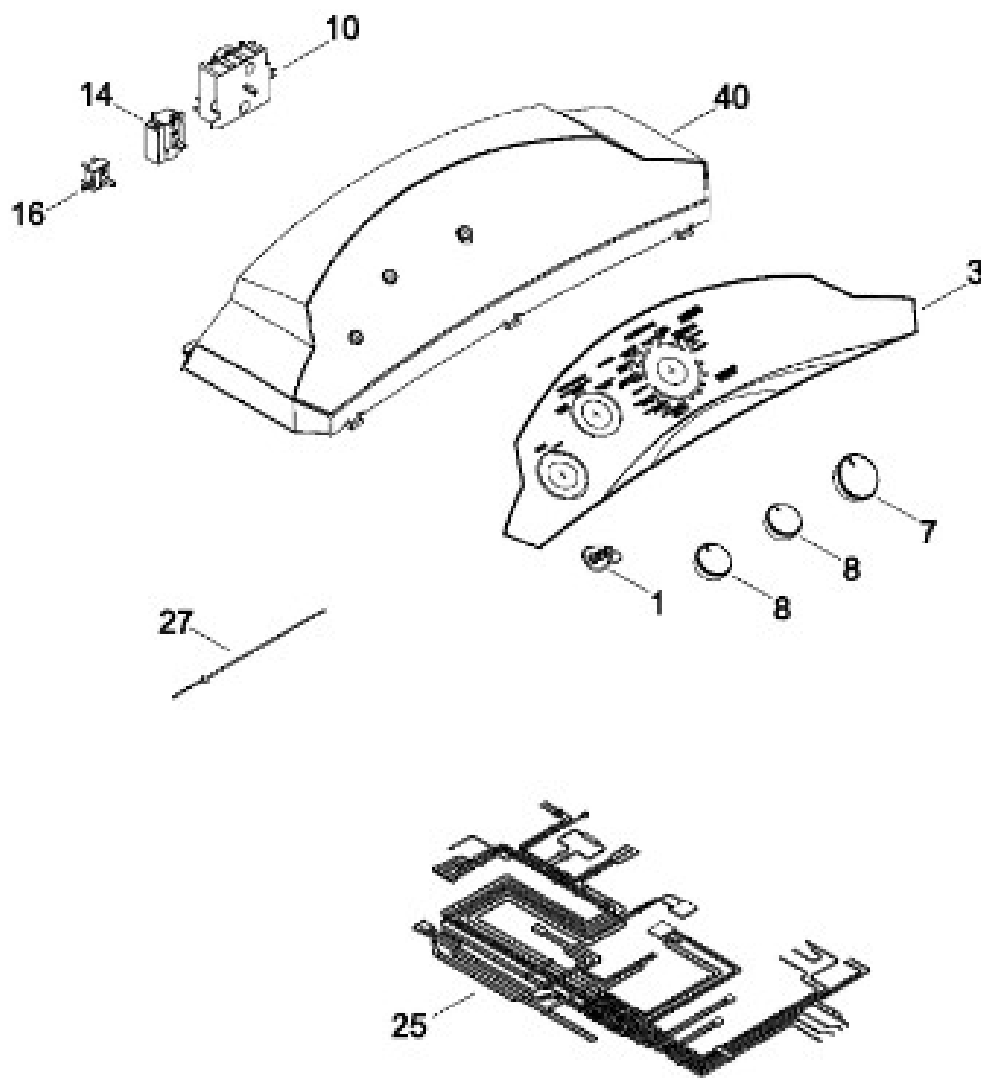


Distribuidor Autorizado

SurteRápido.com

Venta de Refacciones
Electrodomesticas

SECADORA SEC630DPBB00



Distribuidor Autorizado

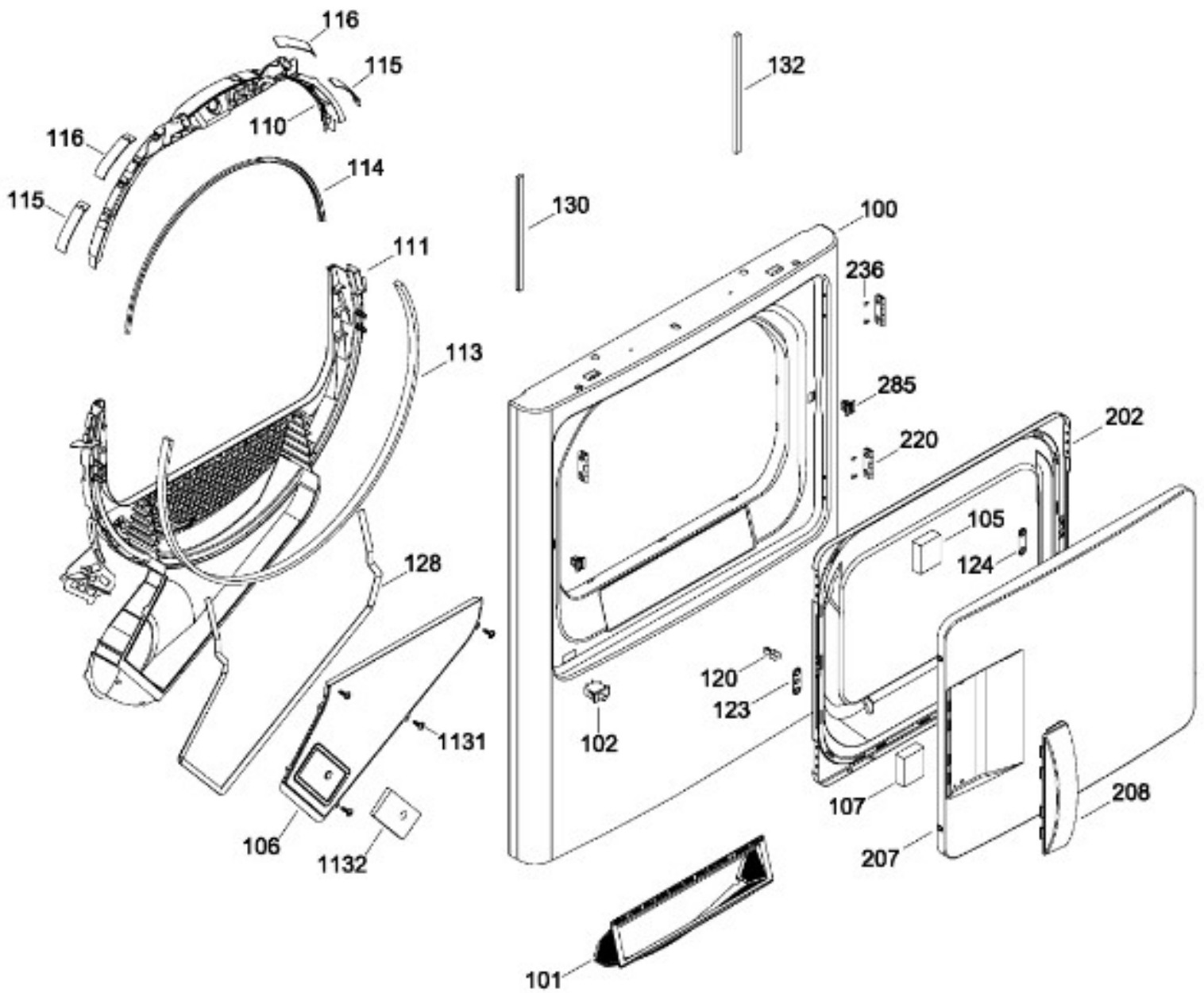
SurteRápido.com

Venta de Refacciones
Electrodomesticas

SECADORA SEC630DPBB00

PUERTA (ENS)

SEC630DPBB00



Distribuidor Autorizado

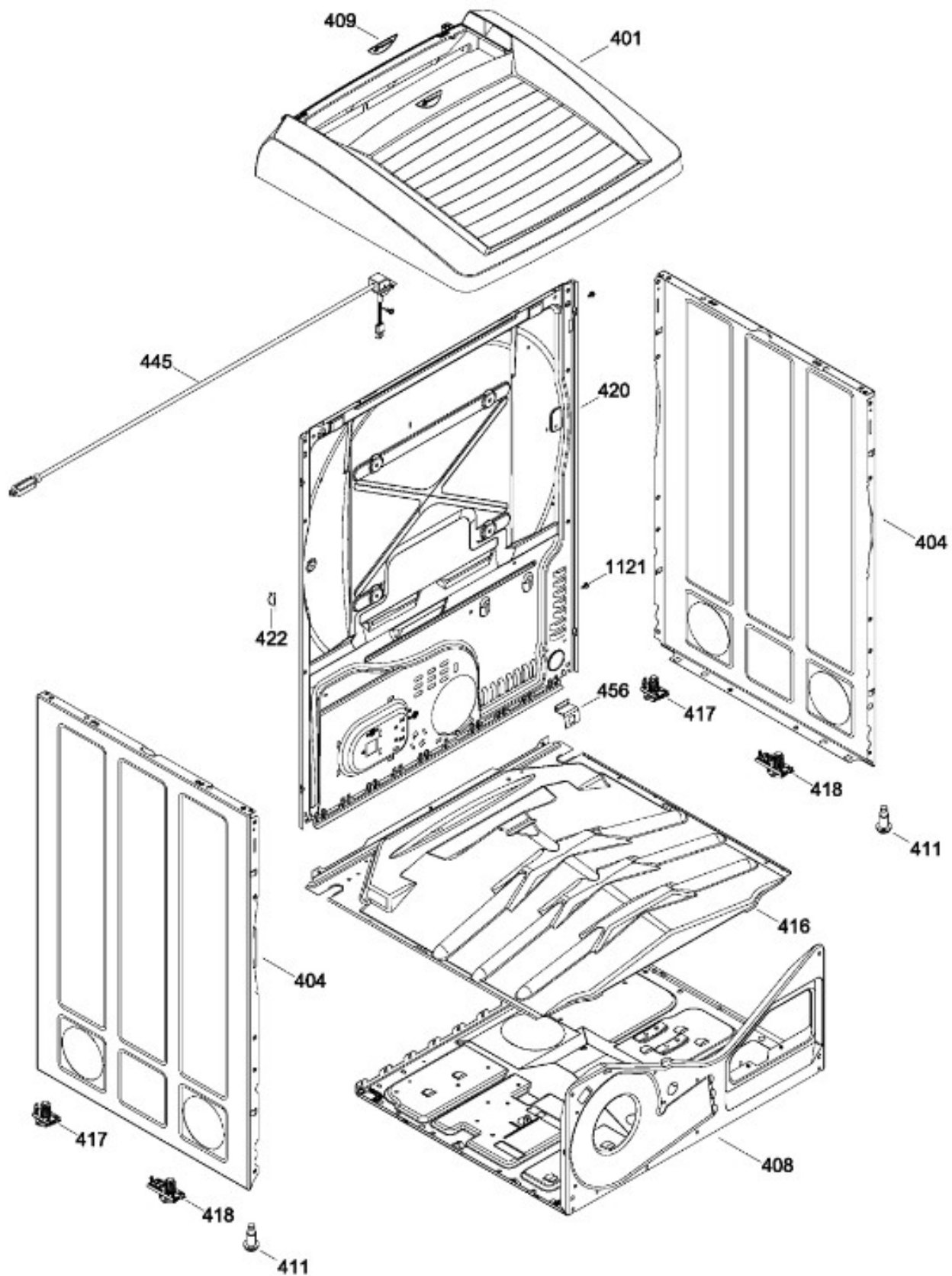
SurteRápido.com

Venta de Refacciones
Electrodomesticas

SECADORA SEC630DPBB00

GABINETE

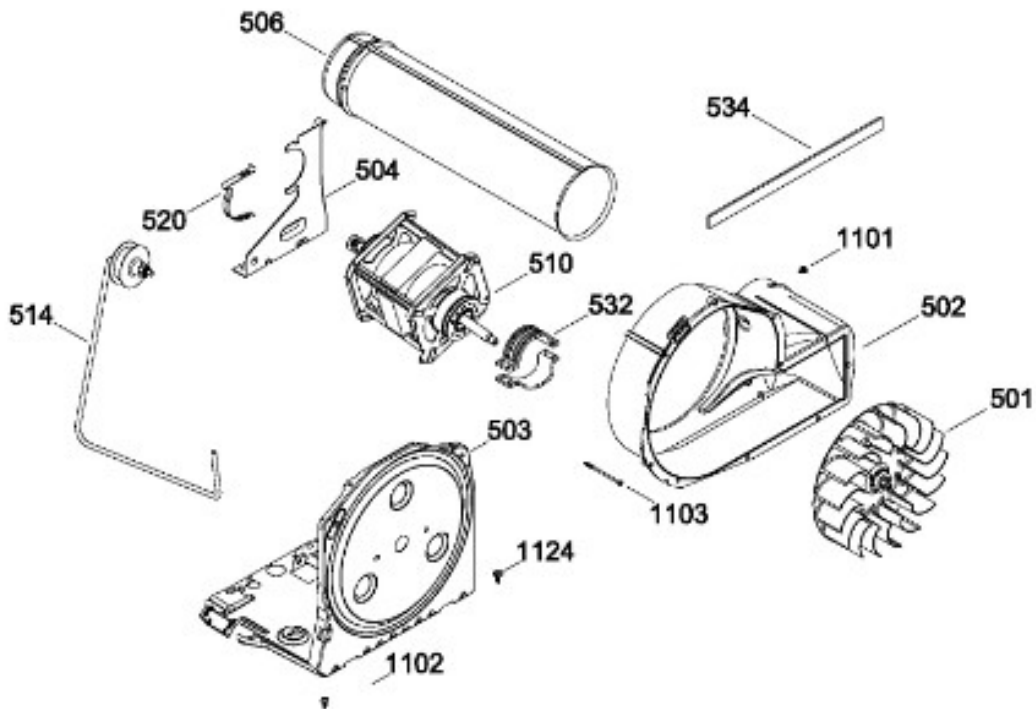
SEC630DPBB00



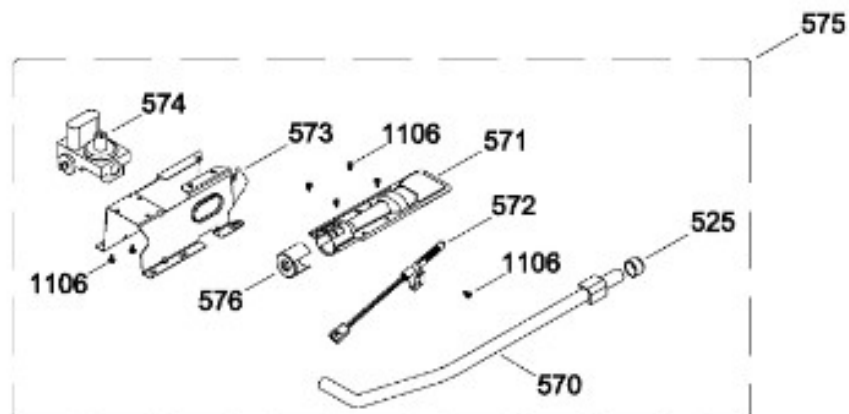
SECADORA SEC630DPBB00

SISTEMA DE TRANSMISION / BLOWER & DRIVE ASSEMBLY

SEC630DPBB00



QUEMADOR / BURNER



Distribuidor Autorizado

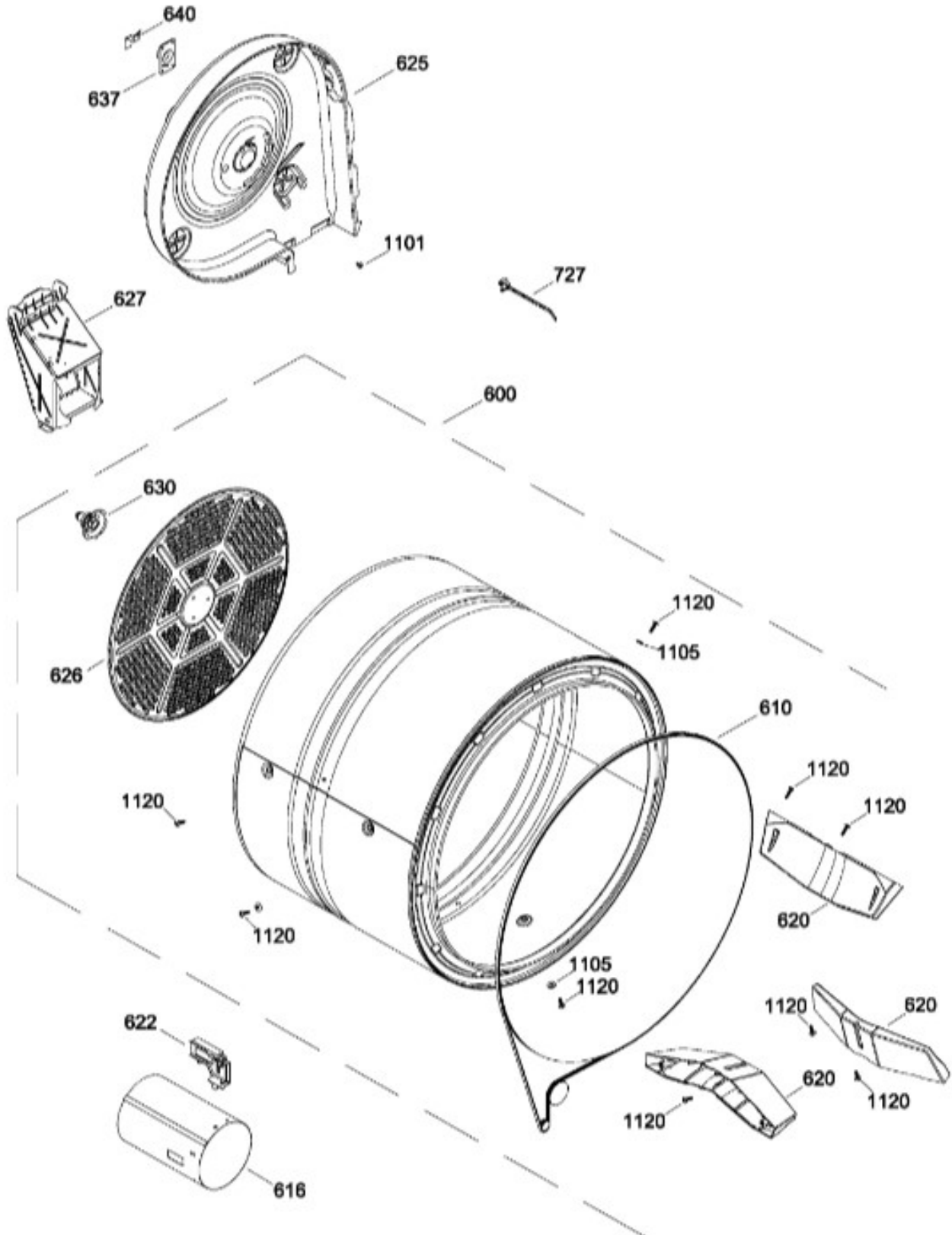
SurteRápido.com

Venta de Refacciones
Electrodomesticas

SECADORA SEC630DPBB00

TAMBOR

SEC630DPBB00



Distribuidor Autorizado

SurteRápido.com

Venta de Refacciones
Electrodomesticas

SECADORA SEC630DPBB00

| Guía | Refacción | Descripción |
|------|--------------|----------------------------|
| 1 | WW01L00419 | LOGO EASY |
| 3 | WW02A00125 | OVERLAY |
| 3 | WW02A00125 | OVERLAY |
| 7 | WW02L00117 | ENS. PERILLA CONTROL |
| 8 | WW02L00114 | PERILLA ROTATORIA |
| 10 | 212D1233P003 | RELOJ (IGUAZU 6 CU.FT GAS) |
| 14 | WW02L00082 | INTERRUPTOR ROTATORIO |
| 16 | WW02L00083 | INTERRUPTOR DE INICIO |
| 25 | WW02F00042 | ENS. ARNES |
| 25 | WW02F00449 | ENS. ARNES |
| 27 | WW02F00053 | ARNES PANEL CONTROL |
| 40 | WW02L00059 | COPETE |
| 100 | WW02L00049 | PANEL FRONTAL |
| 101 | WW02L00150 | FILTRO |
| 102 | WW02L00025 | INTERRUPTOR PUERTA |
| 105 | WW02L00210 | SEPARADOR PUERTA |
| 106 | WW02L00061 | CUBIERTA DUCTO |
| 107 | WW03L00062 | ESPACIADOR PUERTA |
| 110 | WW02F00010 | COJINETE SUP. |
| 110 | WW01L01430 | COJINETE SUP. |
| 111 | WW02F00178 | DUCTO TRAMPA |
| 113 | WW02L00138 | FELPA DUCTO RECOLECTOR |
| 114 | WW02L00145 | SELLO PUERTA |
| 115 | WW02A00033 | BEARING_SLIDE |
| 116 | WW02L00038 | BEARING_SLIDE |
| 120 | WW02A00004 | STRIKE |
| 123 | WW02A00056 | STRIKE PLATE |
| 124 | WW02A00057 | STRIKE PLATE |
| 128 | WW02L00040 | GASKET FOAM |
| 130 | WW02L00042 | SELLO |
| 132 | WW02L00039 | SELLO |
| 132 | WW03F00354 | SELLO |
| 202 | WW02L00053 | INNER DOOR |
| 207 | WW02L00051 | PUERTA EXTERIOR |
| 207 | WW02L00051 | PUERTA EXTERIOR |

Distribuidor Autorizado

SurteRápido.com

Venta de Refacciones
Electrodomesticas

SECADORA SEC630DPBB00

| Guía | Refacción | Descripción |
|------|-------------|-----------------------------|
| 207 | WW02L00051 | PUERTA EXTERIOR |
| 208 | WW02L00016 | JALADERA PUERTA(BCO) |
| 220 | WW02L00029 | BISAGRA |
| 220 | WW02L00028 | BISAGRA |
| 236 | WW02A00065 | BOTON BELLEZA |
| 285 | WW02L00037 | LATCH ASM. |
| 401 | WW02L00065 | ENS. CUBIERTA SUP. PLASTICA |
| 404 | WW02L00149 | PANEL LATERAL |
| 404 | WW02L00149 | PANEL LATERAL |
| 404 | WW02L00149 | PANEL LATERAL |
| 408 | WW02F00076 | BASTIDOR BASE |
| 409 | WW01L00369 | LOGO ID SYSTEM |
| 411 | WW02L00142 | PATA ESTABILIZADORA ENS. |
| 416 | WW02A00045 | DEFLECTOR |
| 416 | WW02A00045 | DEFLECTOR |
| 416 | WW02A00045 | DEFLECTOR DE CALOR |
| 417 | WW02A00059 | ENS. SOPORTE POST. |
| 418 | WW02L00108 | ENS. SOPORTE FRONT. |
| 420 | WW02F00263 | PANEL POSTERIOR |
| 422 | WW02F00022 | CORD SET RETAINER |
| 445 | WW02F00086 | POWER CORD |
| 445 | WW02F00091 | POWER CORD |
| 456 | WW02A00037 | BRIDE |
| 501 | WW02A00011 | SOPLADOR PUERTA |
| 501 | WW01F01162 | SOPLADOR PUERTA |
| 502 | WW02A00012 | CARCAZA ASPAS |
| 502 | WW02L00013 | CARCAZA ASPAS |
| 503 | WW01F01125 | BASE MOTOR |
| 503 | WW01L01163 | BASE MOTOR |
| 503 | WW01L01163 | BASE MOTOR |
| 503 | WW02L00642 | BASE MOTOR |
| 504 | WW02F00027 | SOPORTE MOTOR |
| 506 | 572D559P006 | CONDUCTO DE ESCAPE |
| 510 | WW02F00015 | MOTOR POLEA ENS. |
| 510 | WW03A00209 | MOTOR POLEA ENS. |

Distribuidor Autorizado

SurteRápido.com

Venta de Refacciones
Electrodomesticas

SECADORA SEC630DPBB00

| Guía | Refacción | Descripción | |
|------|------------|---------------------------|--|
| 514 | WW02A00008 | ENS. BRAZO AUXILIAR | |
| 514 | WW03F00350 | ENS. BRAZO AUXILIAR | |
| 520 | WW02F00031 | CLIP MOTOR | |
| 525 | WW02A00003 | TAPA | |
| 532 | WW02F00003 | CORREA MOTOR | |
| 532 | WW02A00232 | CORREA MOTOR | |
| 534 | WW02A00026 | EMPAQUE ESCAPE SOPLADOR | |
| 534 | WW02F00785 | EMPAQUE ESCAPE SOPLADOR | |
| 570 | WW02A00058 | PIPE & LUG ASM. | |
| 570 | WW03F00137 | PIPE & LUG ASM. | |
| 571 | WW02A00020 | QUEMADORES | |
| 572 | WW02F00002 | ALLUME-GAZ | |
| 572 | WW02F00740 | ALLUME-GAZ | |
| 572 | WW01F01432 | ENCENDEDOR INCANDESCENTE | |
| 573 | WW02F00077 | GAS VALVE BRACKET | |
| 573 | WW03A00125 | GAS VALVE BRACKET | |
| 574 | WW02F00095 | VALVUAL DE GAS ENS. | |
| 575 | WW02F00080 | VALVULA Y QUEMADOR ENS | |
| 576 | WW02L00140 | AIRADOR | |
| 600 | WW02F00056 | ENS. TAMBOR | |
| 610 | WW02F00028 | BANDA SECADORA | |
| 610 | WW02F00854 | BANDA SECADORA | |
| 616 | WW02F00260 | TUBO DE COMBUSTION | |
| 616 | WW02F00260 | TUBO DE COMBUSTION | |
| 620 | WW02L00143 | BAFFLE | |
| 622 | WW02F00001 | DETECTOR TERMOSTATO | |
| 625 | WW02L00014 | DIFUSOR GAS | |
| 625 | WW03F00095 | DIFUSOR GAS | |
| 626 | WW02F00030 | DIFUSOR | |
| 627 | WW02F00127 | DUCTO DE TRANSICION | |
| 627 | WW03F00539 | DUCTO DE TRANSICION | |
| 630 | WW02A00019 | SOPORTE Y FLECHA ENSAMBLE | |
| 637 | WW02A00005 | RETENEDOR RODAMIENTO | |
| 640 | WW01A00443 | GROUND STRAP ASSEMBLY | |
| 727 | WW02A00061 | TIE WRAP ARNESS | |

Distribuidor Autorizado

SurteRápido.com

Venta de Refacciones
Electrodomesticas

SECADORA SEC630DPBB00

| Guía | Refacción | Descripción |
|------|------------|---------------------|
| 727 | WW02F00402 | TIE WRAP ARNESS |
| 1101 | WW02A00030 | TORNILLO |
| 1101 | WW02A00211 | TORNILLO |
| 1102 | WW02A00029 | TORNILLO |
| 1102 | WW02A00211 | TORNILLO |
| 1103 | WW02A00032 | TORNILLO |
| 1105 | WW02A00002 | ARANDELA |
| 1106 | WW02A00027 | SCREW |
| 1120 | WW02A00031 | TORNILLO |
| 1121 | WW01A00001 | TORNILLO |
| 1124 | WW02A00070 | TORNILLO |
| 1131 | WW02A00028 | TORNILLO |
| 1132 | WW02L00033 | ESPACIADOR ESPUMADO |