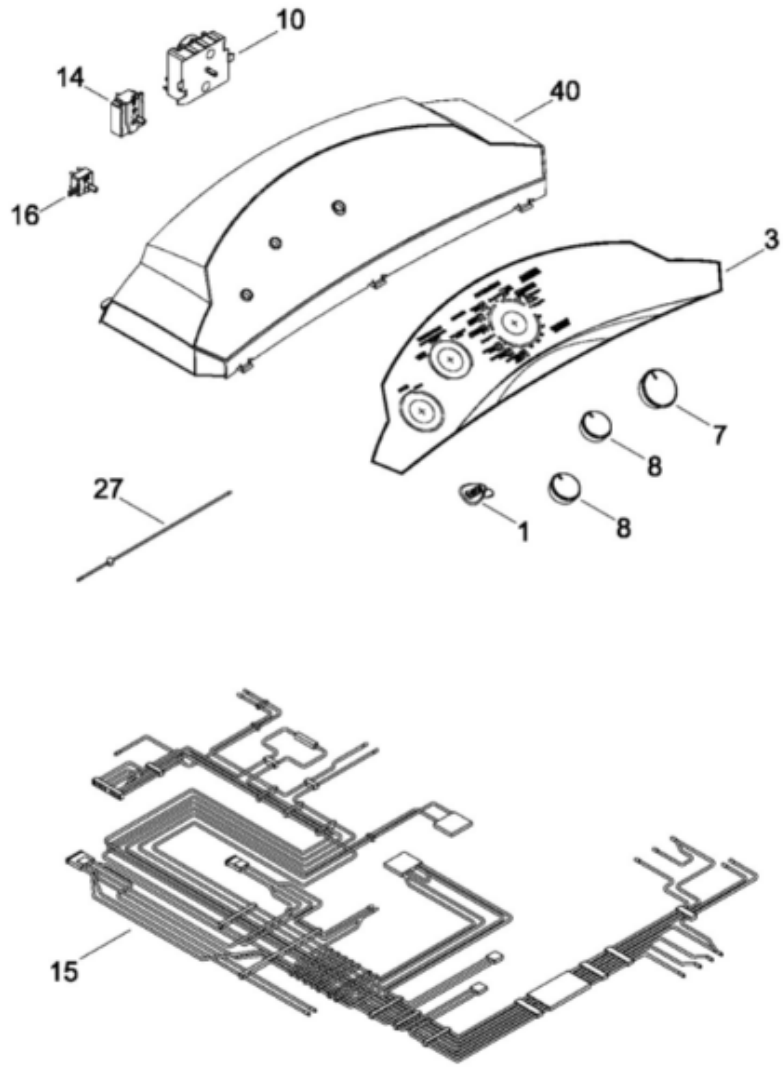


SECADORA SEC630DPBB01

SISTEMA CONTROLES

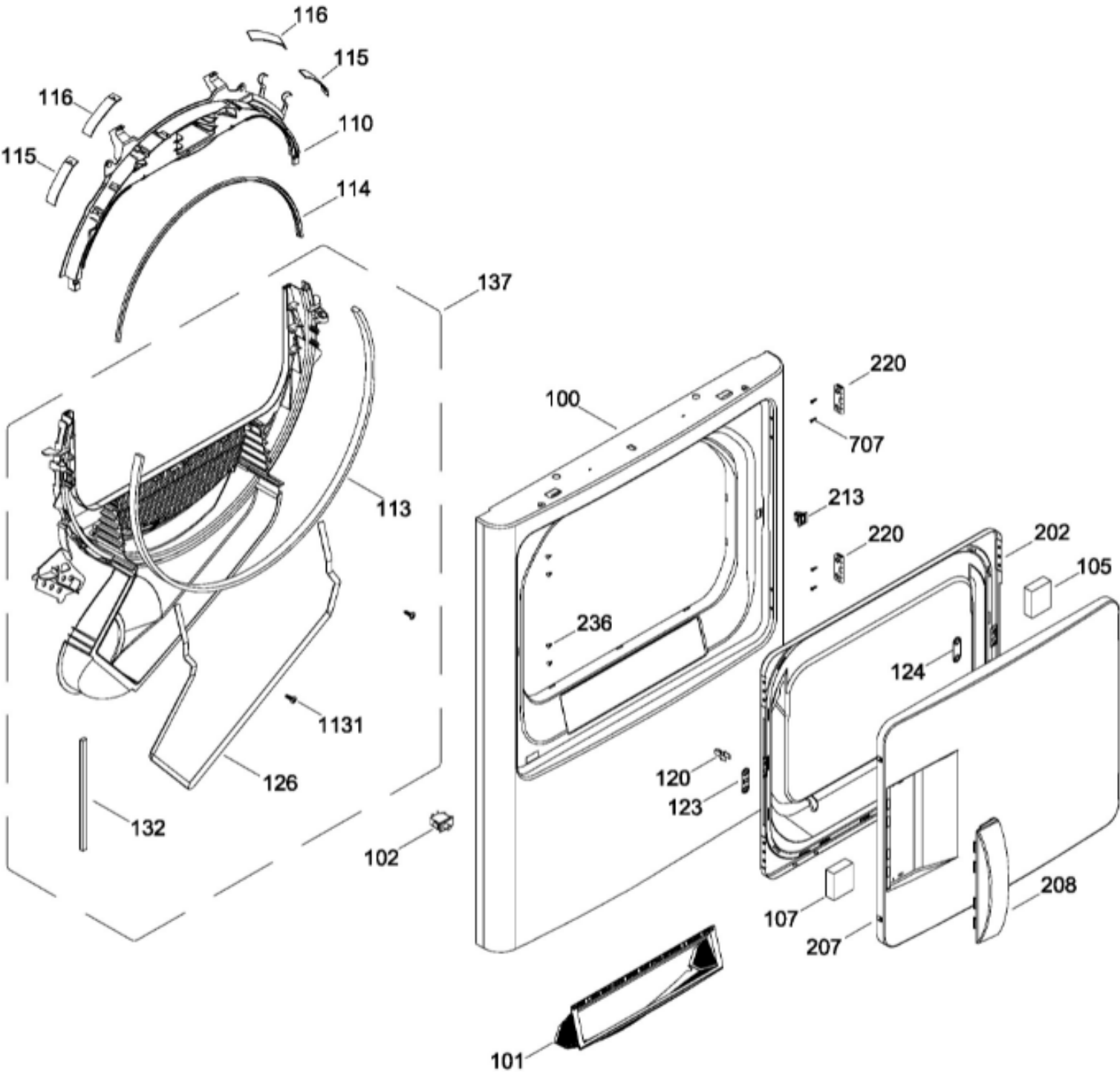
SEC630DPBB01



SECADORA SEC630DPBB01

PUERTA (ENS)

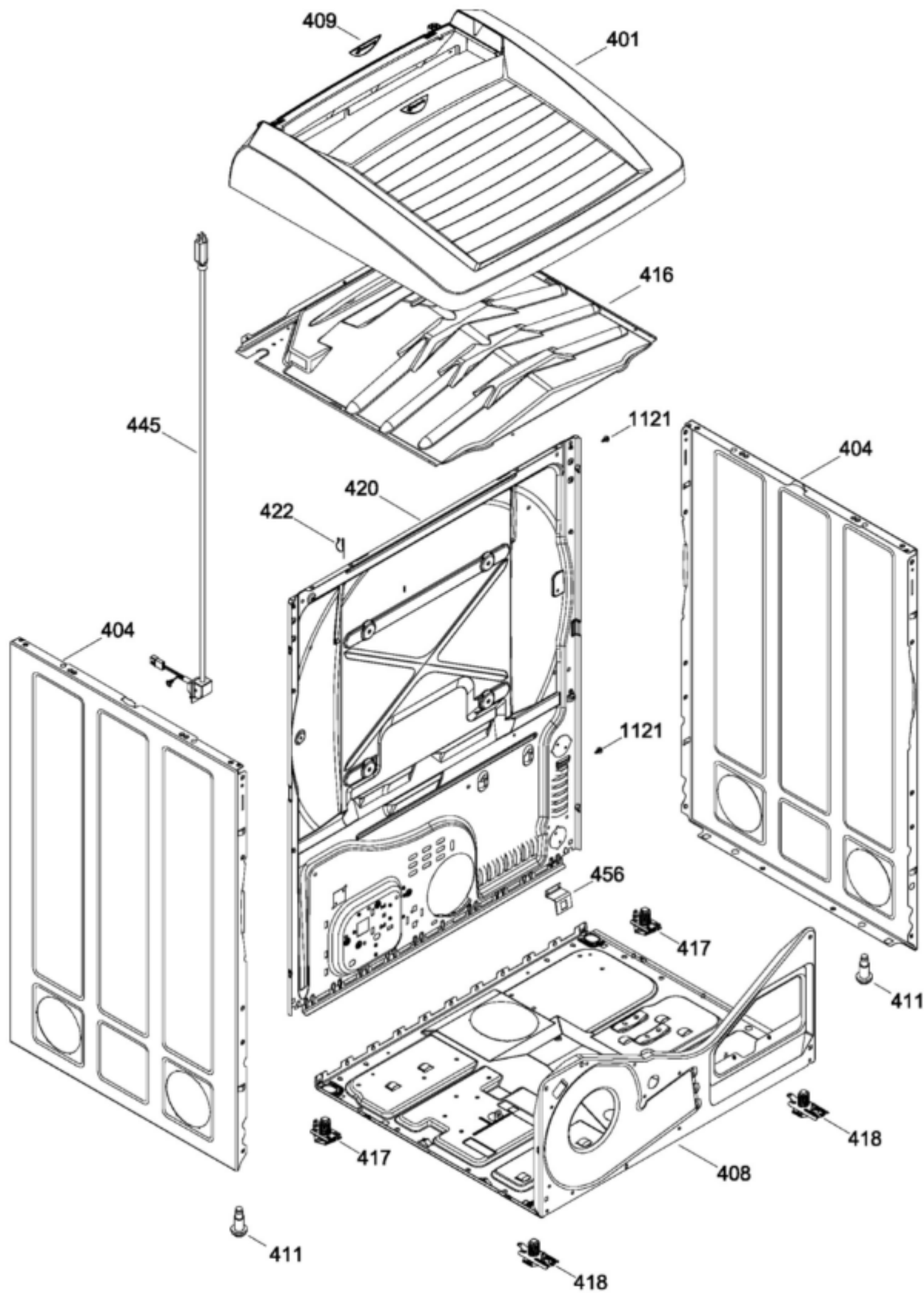
SEC630DPBB01



SECADORA SEC630DPBB01

GABINETE

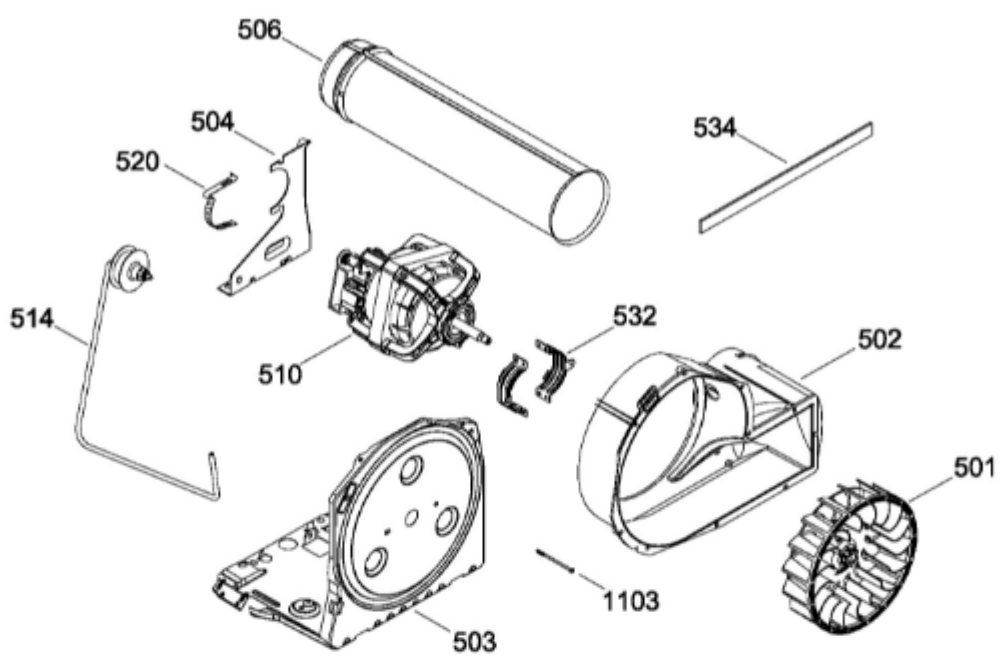
SEC630DPBB01



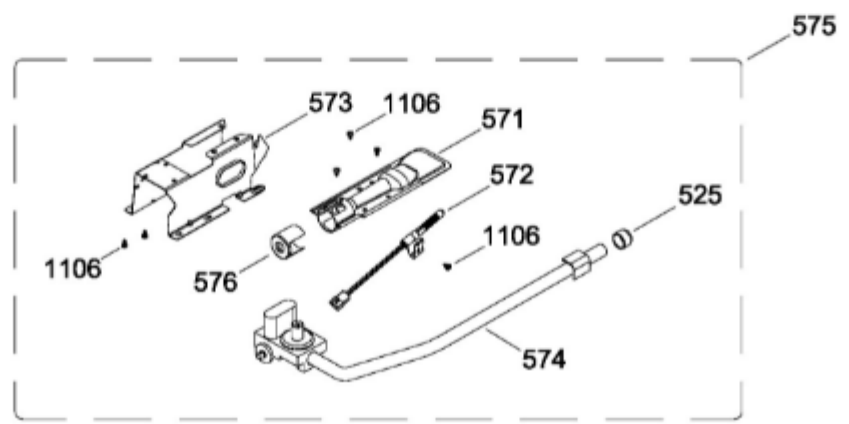
SECADORA SEC630DPBB01

SISTEMA DE TRANSMISION / BLOWER & DRIVE ASSEMBLY

SEC630DPBB01



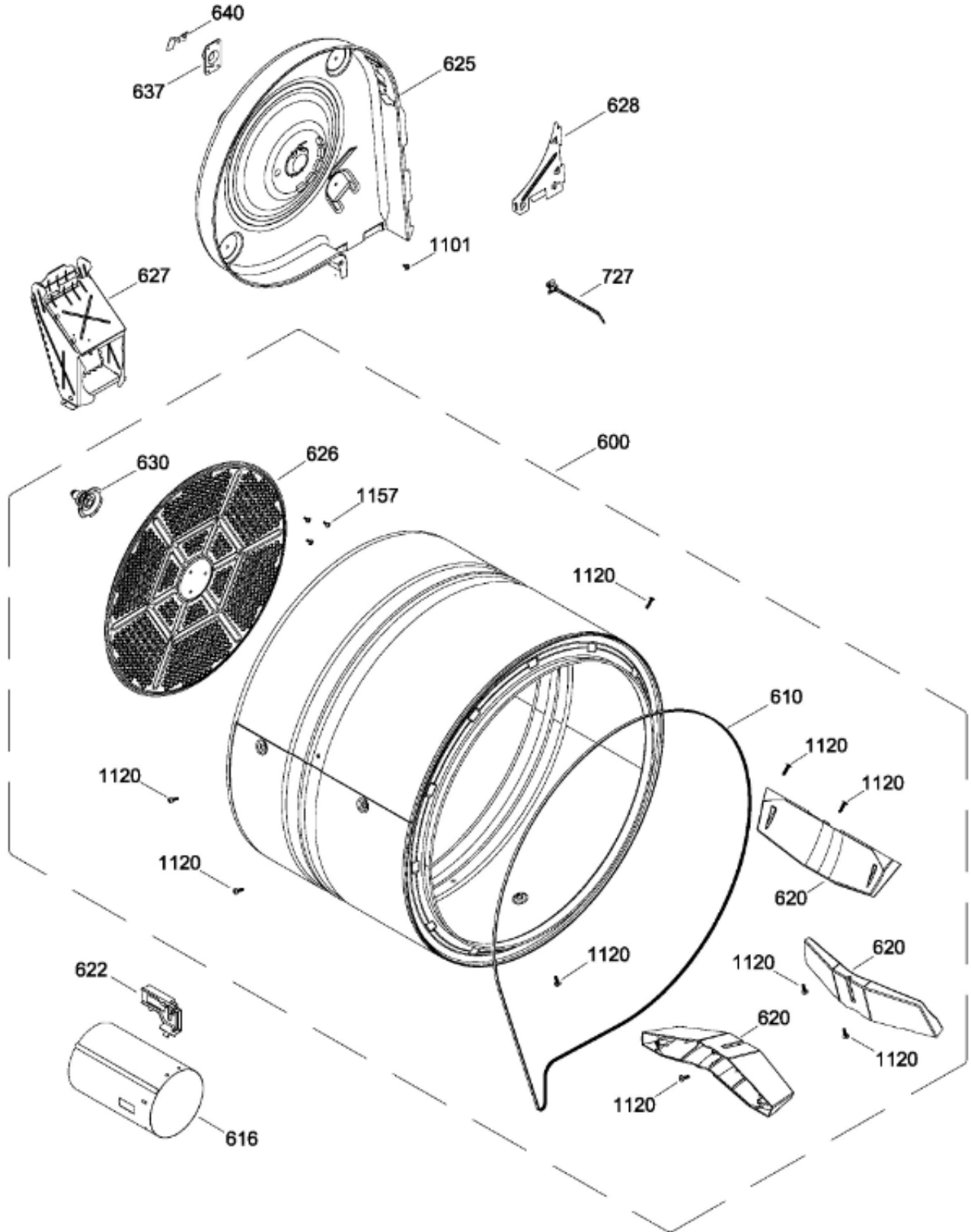
QUEMADOR / BURNER



SECADORA SEC630DPBB01

TAMBOR

SEC630DPBB01





SECADORA SEC630DPBB01

| Guía | Refacción | Descripción |
|------|------------|---------------------------------|
| 1 | WW01L00419 | LOGO EASY |
| 3 | WW02A00125 | OVERLAY |
| 3 | WW02A00125 | OVERLAY |
| 7 | WW02L00117 | ENS. PERILLA CONTROL |
| 8 | WW02L00114 | PERILLA ROTATORIA |
| 10 | WW02F00064 | RELOJ |
| 14 | WW02L00082 | INTERRUPTOR ROTATORIO |
| 15 | WW02F00449 | ARNES PRINCIPAL ENS |
| 16 | WW02L00083 | INTERRUPTOR DE INICIO |
| 27 | WW02F00053 | ARNES PANEL CONTROL |
| 40 | WW02L00059 | COPETE |
| 100 | WW02L00049 | PANEL FRONTAL (BCO) |
| 101 | WW02F00190 | FILTRO ATRAPAPELUSA |
| 101 | WW02F00615 | FILTRO ATRAPAPELUSA |
| 102 | WW02L00025 | INTERRUPTOR PUERTA |
| 105 | WW02L00210 | SEPARADOR PUERTA |
| 107 | WW03L00062 | ESPACIADOR PUERTA |
| 110 | WW02L00199 | COJINETE SUP. |
| 110 | WW01L01430 | COJINETE SUP. |
| 113 | WW01L01329 | FELPA COLECTOR DE AIRE |
| 113 | WW02F00783 | FELPA COLECTOR DE AIRE |
| 113 | WW02F00783 | FELPA DUCTO RECOLECTOR |
| 113 | WW02F00783 | FELPA DUCTO RECOLECTOR |
| 114 | WW02L00145 | SELLO PUERTA |
| 115 | WW02A00033 | BEARING_SLIDE |
| 116 | WW02L00038 | BEARING_SLIDE |
| 120 | WW02A00004 | STRIKE |
| 123 | WW02A00056 | STRIKE PLATE |
| 124 | WW02A00057 | STRIKE PLATE |
| 126 | WW02L00040 | GASKET FOAM |
| 132 | WW02L00039 | SELLO |
| 132 | WW03F00354 | SELLO |
| 137 | WW02F00248 | DUCTO TRAMPA ENS (SIN SENSORES) |
| 137 | WW02F00598 | DUCTO TRAMPA ENS (SIN SENSORES) |
| 202 | WW02L00053 | PUERTA INTERIOR(BLANCA) |
| 207 | WW02L00051 | PUERTA EXTERIOR |
| 207 | WW02L00051 | PUERTA EXTERIOR |



SECADORA SEC630DPBB01

| Guía | Refacción | Descripción |
|------|--------------|-----------------------------|
| 208 | WW02L00016 | JALADERA PUERTA(BCO) |
| 213 | WW02L00037 | LATCH ASM. |
| 220 | WW02L00029 | BISAGRA |
| 220 | WW02L00028 | BISAGRA |
| 236 | WW02A00065 | BOTON BELLEZA |
| 401 | WW02L00065 | ENS. CUBIERTA SUP. PLASTICA |
| 404 | WW02L00149 | PANEL LATERAL |
| 404 | WW02L00149 | PANEL LATERAL |
| 408 | WW02F00076 | BASTIDOR BASE |
| 409 | WW01L00369 | LOGO ID SYSTEM |
| 411 | WW02L00142 | PATA ESTABILIZADORA ENS. |
| 416 | WW02A00045 | DELFECTOR DE CALOR |
| 416 | WW02A00045 | DELFECTOR DE CALOR |
| 417 | WW02A00059 | ENS. SOPORTE POST. |
| 418 | WW02L00108 | ENS. SOPORTE FRONT. |
| 420 | WW01L01170 | PANEL POSTERIOR |
| 422 | WW02F00022 | CORD SET RETAINER |
| 445 | WW02F00086 | POWER CORD |
| 445 | WW02F00091 | POWER CORD |
| 456 | WW02A00037 | BRIDE |
| 501 | WW01F01162 | VENTILADOR REDONDO |
| 502 | WW02A00012 | CARCAZA ASPAS |
| 502 | WW02L00013 | CARCAZA ASPAS |
| 503 | WW01L01163 | BASE MOTOR |
| 503 | WW01L01163 | BASE MOTOR |
| 503 | WW01L01163 | BASE MOTOR |
| 503 | WW02L00642 | BASE MOTOR |
| 504 | WW02F00027 | SOPORTE MOTOR |
| 506 | 572D559P006T | CONDUCTO DE ESCAPE |
| 510 | WW02F00456 | ENS MOTOR Y POLEA |
| 510 | WW03F00447 | ENS MOTOR Y POLEA |
| 514 | WW02A00008 | ENS. BRAZO AUXILIAR |
| 514 | WW03F00350 | ENS. BRAZO AUXILIAR |
| 520 | WW02F00031 | CLIP MOTOR |
| 525 | WW02A00003 | TAPA |
| 532 | WW02F00003 | CORREA MOTOR |
| 532 | WW02A00232 | CORREA MOTOR |



SECADORA SEC630DPBB01

| Guía | Refacción | Descripción |
|------|------------|----------------------------|
| 534 | WW02A00026 | EMPAQUE ESCAPE SOPLADOR |
| 534 | WW02F00785 | EMPAQUE ESCAPE SOPLADOR |
| 571 | WW02A00020 | QUEMADORES |
| 572 | WW02F00002 | ALLUME-GAZ |
| 572 | WW02F00740 | ALLUME-GAZ |
| 573 | WW03A00125 | SOPORTE VALVULA DE GAS |
| 574 | WW01F01529 | VALVULA Y TUBO PARA GAS LP |
| 575 | WW02F00080 | VALVULA Y QUEMADOR ENS |
| 576 | WW02L00140 | AIRADOR |
| 600 | WW02F00056 | ENS. TAMBOR |
| 610 | WW02F00028 | BANDA SECADORA |
| 610 | WW02F00854 | BANDA SECADORA |
| 616 | WW02F00260 | CAMARA DE COMBUSTION |
| 620 | WW02L00143 | BAFFLE |
| 622 | WW02F00001 | DETECTOR TERMOSTATO |
| 625 | WW03F00095 | DIFUSOR DE GAS |
| 626 | WW02F00221 | DIFUSOR |
| 626 | WW02F00827 | DIFUSOR |
| 627 | WW02F00127 | DUCTO TRANSICION |
| 627 | WW02F00127 | DUCTO TRANSICION |
| 627 | WW03F00539 | DUCTO TRANSICION |
| 628 | WW03F00097 | PLACA DIFUSOR |
| 630 | WW02A00019 | SOPORTEYFLECHAENSAMBLE |
| 637 | WW02A00005 | RETENEDOR RODAMIENTO |
| 640 | WW01A00443 | GROUND STRAP ASSEMBLY |
| 640 | WW02F00833 | GROUND STRAP ASSEMBLY |
| 707 | WW01A00539 | TORNILLO |
| 727 | WW02A00061 | TIE WRAP ARNESS |
| 727 | WW02F00402 | TIE WRAP ARNESS |
| 1101 | WW02A00030 | TORNILLO |
| 1101 | WW02A00211 | TORNILLO |
| 1103 | WW02A00032 | TORNILLO |
| 1106 | WW02A00027 | SCREW |
| 1120 | WW02A00031 | TORNILLO |
| 1121 | WW01A00001 | TORNILLO |
| 1131 | WW02A00028 | TORNILLO |
| 1157 | WW01A00456 | TORNILLO #10 |