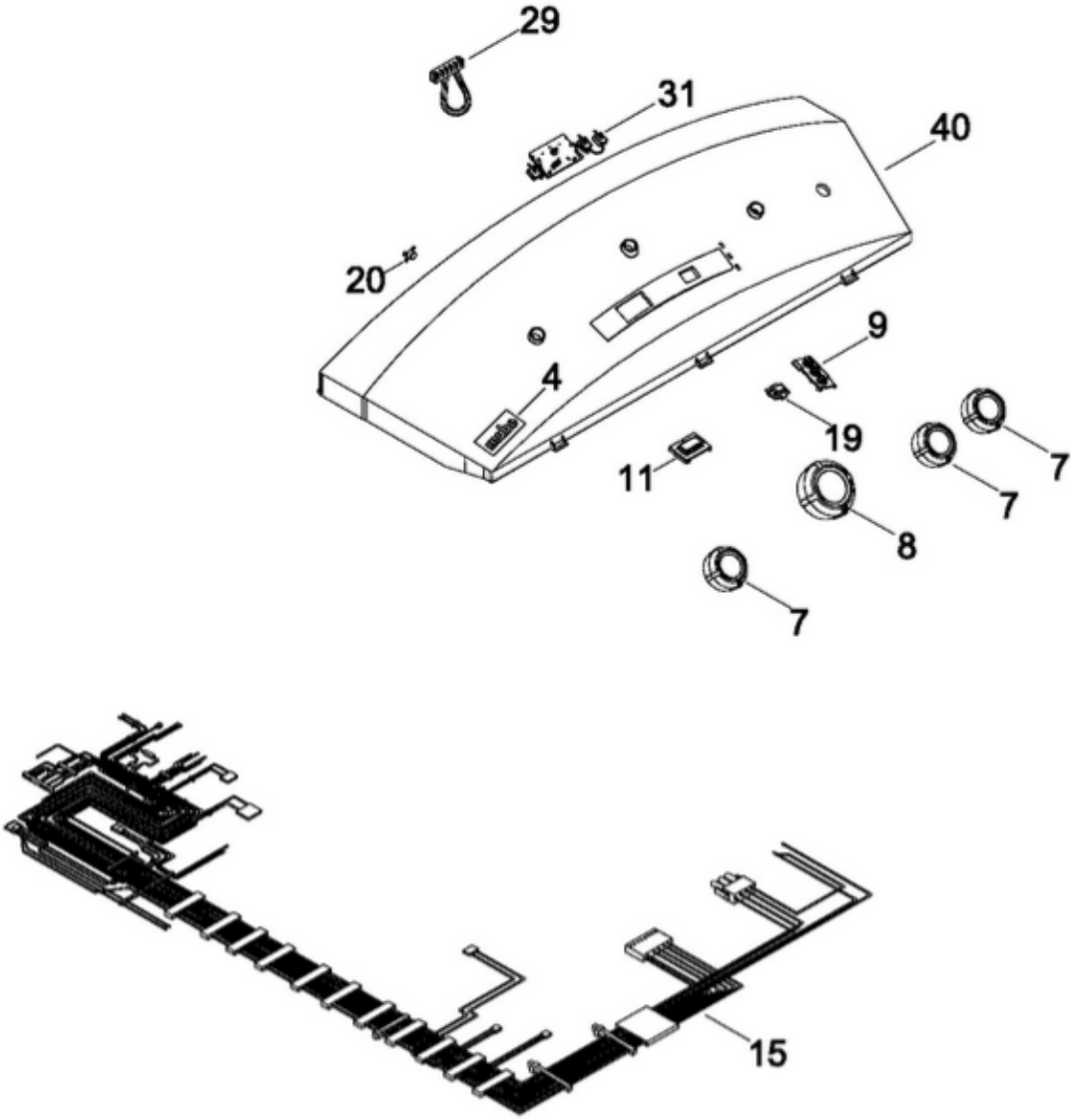
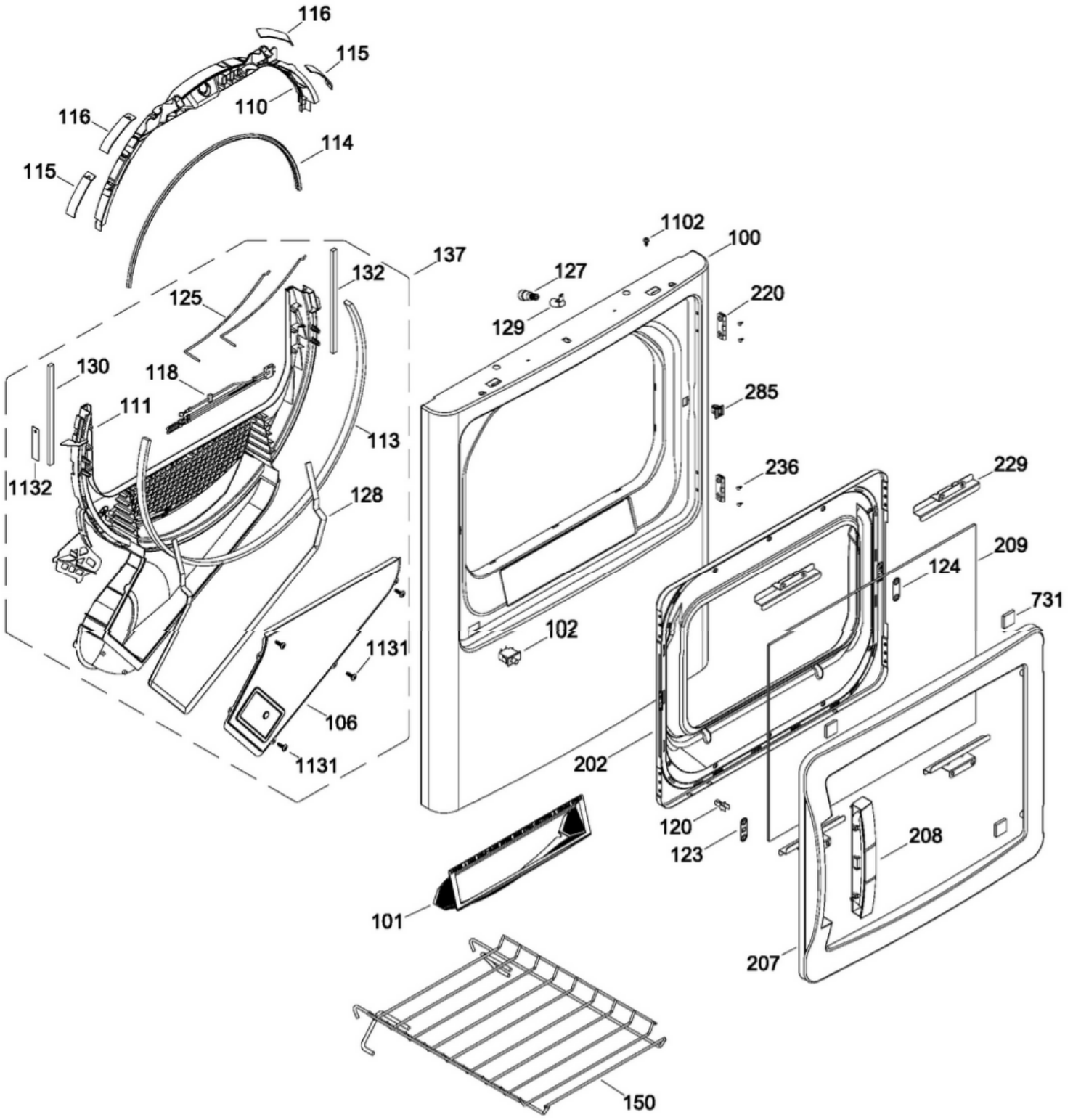


SECADORA SMA1940PBB0

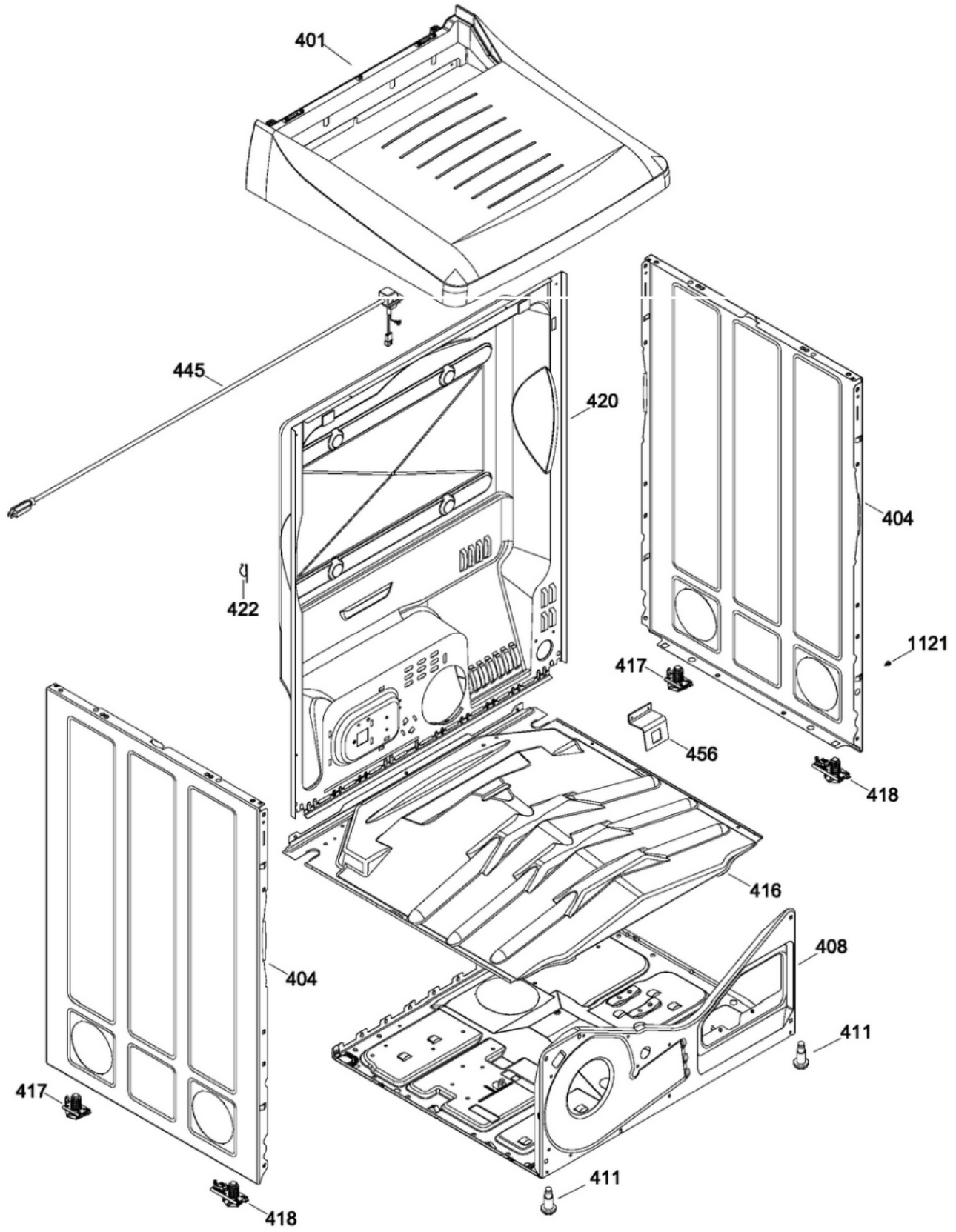




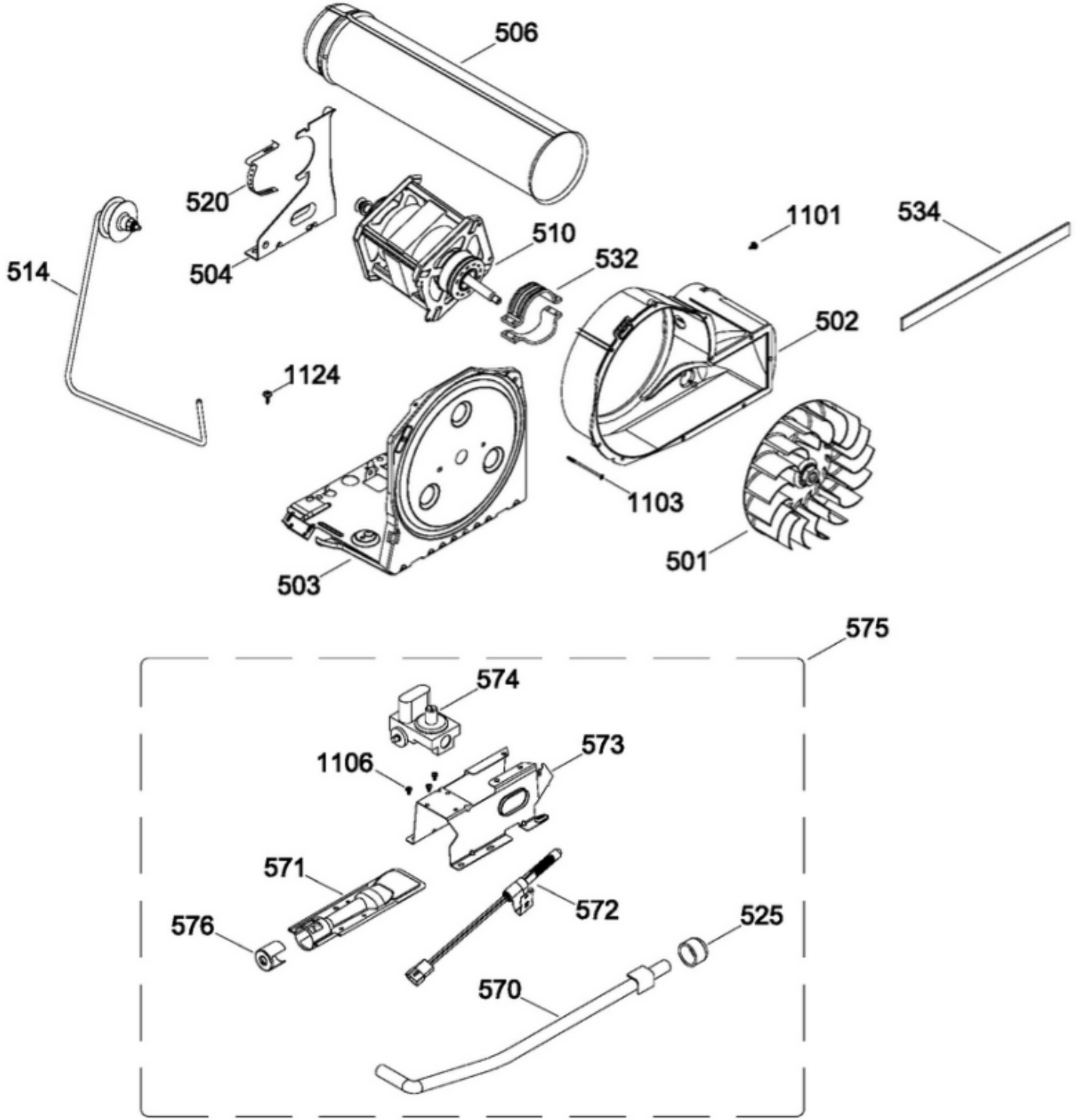
SECADORA SMA1940PBB0



SECADORA SMA1940PBB0

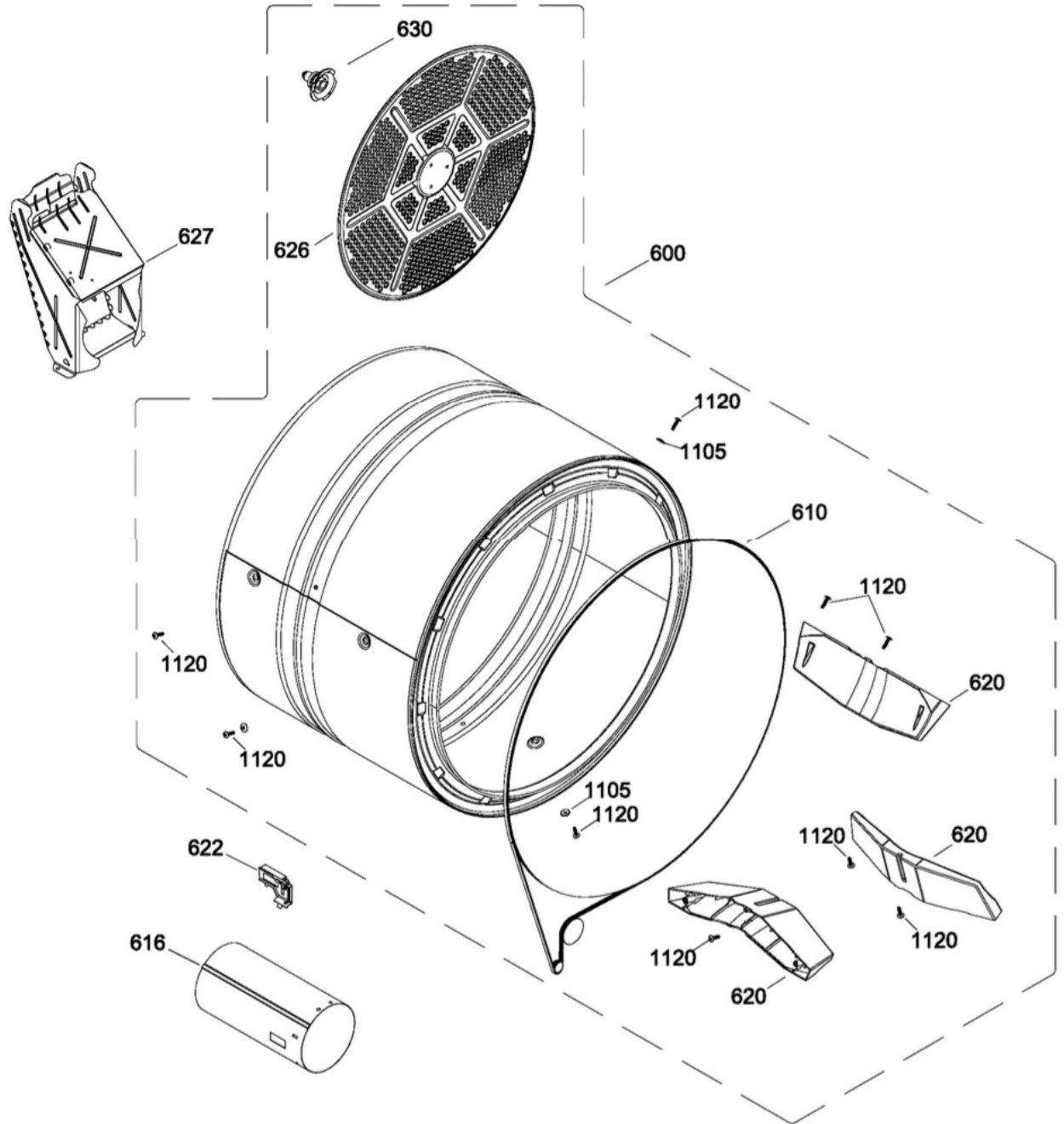
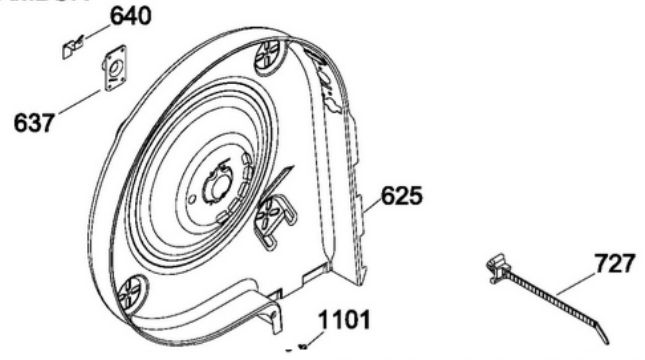


SECADORA SMA1940PBB0



SECADORA SMA1940PBB0

TAMBOR





SECADORA SMA1940PBB0

Guía	Refacción	Descripción
4	238C3240G001	ENS. LOGOTIPO MABE
7	277B1057G006	PERILLA ROTATORIA
8	277B1055G006	ENS. PERILLA CONTROL
9	323B2605P001	GUIA LUZ
11	323B2606P001	CUBIERTA DISPLAY
15	189D7015G003	ENS. ARNES
19	323B2607P002	BOTON INICIO
20	323B2623P001	BUJE PARA PEILLA
29	165D1349G007	JUMPER GAS
31	189D5283G001	ENS. TARJETA CIRCUITO IMPRESO
40	189D7005G013	COPETE Y GRAFICOS
100	189D5117P002	PANEL FRONTAL
101	212D1660P001	FILTRO
102	248C1157P001	INTERRUPTOR PUERTA
106	189D5242P001	CUBIERTA DUCTO
110	212D1677P001	COJINETE SUP.
111	212D1060P001F	DUCTO TRAMPA
113	323B4099P003	FELPA DUCTO RECOLECTOR
114	572D359P002	SELLO PUERTA
115	540B387P001	BEARING_SLIDE
116	540B387P002	BEARING_SLIDE
118	559C248G010	ARNES SENS.OR
120	143B9304P001	STRIKE
123	248C1028P001	STRIKE PLATE
124	248C1028P002	STRIKE PLATE
125	540B266P001	SENSOR ROD
127	364B6009P001	LAMP
128	136B9174P201	GASKET FOAM
129	248C1044P001	ENS. CLAVIJA
130	136B9174P205	SELLO
132	136B9174P194	SELLO
137	189D7054G001	COLECTOR DE AIRE ENS
150	234D1329P001	PARRILLA PARA ZAPATOS
202	189D5223P003	PUERTA INTERIOR
207	189D5235P001	ANILLO EXT.
208	189D5236P001	JALADERA



SECADORA SMA1940PBB0

Guía	Refacción	Descripción
209	189D5237P001	PANEL VIDRIO
220	267A3218P012	BISAGRA
229	228C2422P001	SOPORTE VIDRIO
236	323B4040P001	BOTON BELLEZA
285	364B6004G001	LATCH ASM.
401	189D5113P001F	CUBIERTA SECADORA
404	189D7020P002	PANEL LATERAL
408	212D1535P004	BASTIDOR BASE
411	540B364G001	PATA ESTABILIZADORA ENS.
416	189D5244P001	DEFLECTOR
417	248C1143G001	ENS. SOPORTE POST.
418	248C1144G001	ENS. SOPORTE FRONT.
420	572D400P007	PANEL POST.
422	267A3165P001	CORD SET RETAINER
445	248C1142P001	POWER CORD
456	141A5987P002	BRIDE
501	212D1092G001	SOPLADOR PUERTA
502	212D1503P004	BLOWER HOUSING
503	234D1089P005	BASE MOTOR
504	559C001P006	SOPORTE MOTOR
506	572D559P006	CONDUCTO DE ESCAPE
510	234D1158G001	MOTOR POLEA ENS.
514	189D7031G001	ENS. BRAZO AUXILIAR
520	717B299P001	CLIP MOTOR
525	102A3160P174	TAPA
532	123C7934P001	CORREA MOTOR
534	364B7029P001	EMPAQUE ESCAPE SOPLADOR
570	248C1045G001	PIPE & LUG ASM.
571	248C1176G001	QUEMADORES
572	123C7632G001	ALLUME-GAZ
573	212D1549P001	GAS VALVE BRACKET
574	572D366G001	VALVUAL DE GAS ENS.
575	228C4003G002	VALVULA Y QUEMADOR ENS
576	540B336P001	AIRADOR



SECADORA SMA1940PBB0

Guía	Refacción	Descripción
600	189D7026G002	ENS. TAMBOR
610	559C197P005	BANDA SECADORA
616	228C4002P001	CAMARA DE COMBUSTION
620	572D223P004	BAFFLE
622	109B8868G001	DETECTOR TERMOSTATO
625	212D1629P001	DIFUSOR GAS
626	572D388P002	DIFUSOR
627	189D7033P001	DUCTO DE TRANSICION
630	248C1156G001C	SOPORTE Y FLECHA ENSAMBLE
637	161B3251P004	RETENEDOR RODAMIENTO
640	278B1309G001	GROUND STRAP ASSEMBLY
727	323B1455P001	TIE WRAP ARNESS
731	364B6069P001	CALZA
1101	540B006P020	TORNILLO
1102	540B006P001	TORNILLO
1103	540B006P046	TORNILLO
1105	102A3143P120	ARANDELA
1106	540B004P002	SCREW
1120	540B006P033	TORNILLO
1121	109B3403P052	TORNILLO
1124	540B006P032	TORNILLO
1131	540B004P062	TORNILLO
1132	323B2599P001	ESPACIADOR ESPUMADO