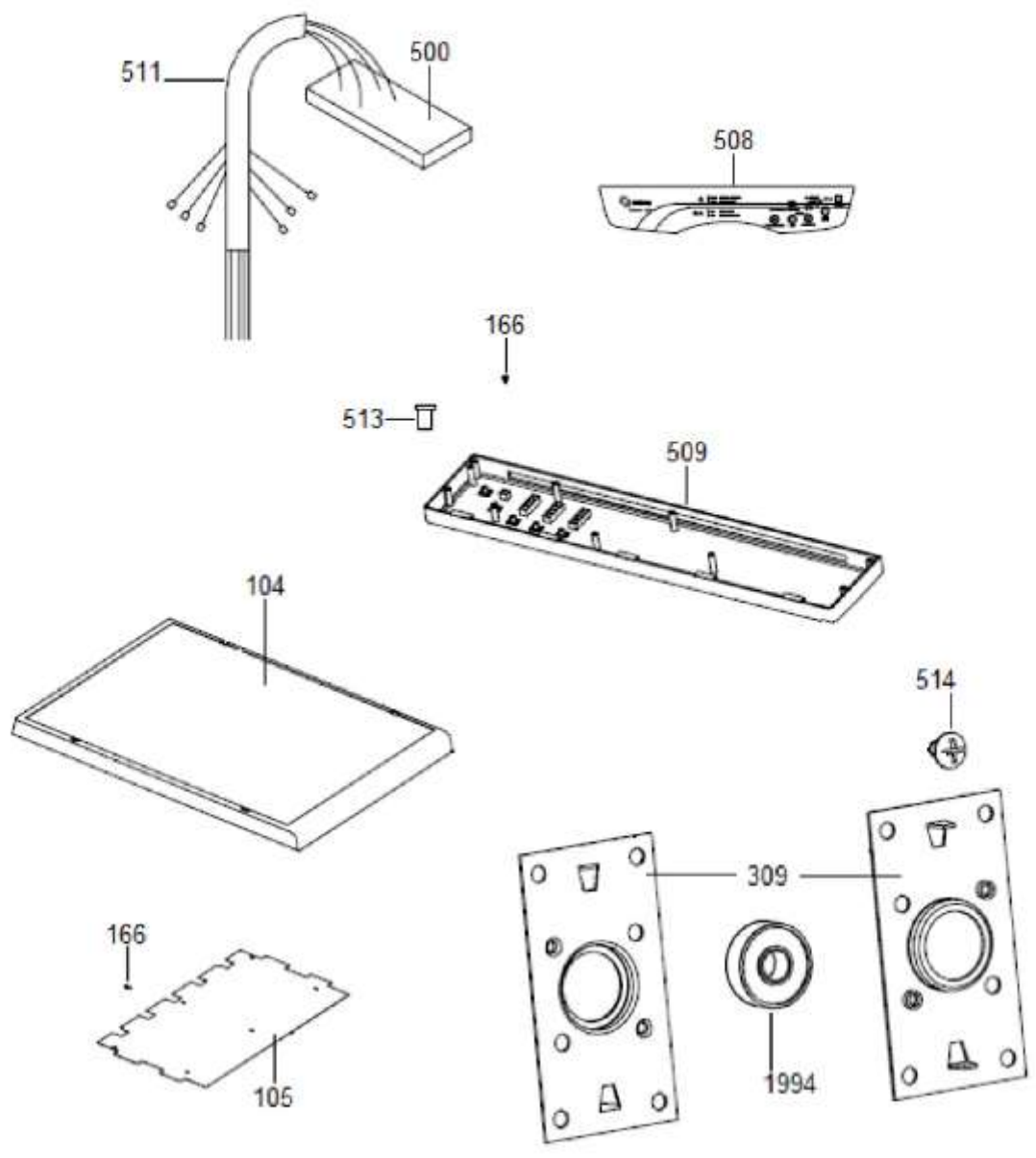




SECADORA SEM81BDBYAA

PANEL DE CONTROL Y CUBIERTA

SEM81BDBYAA



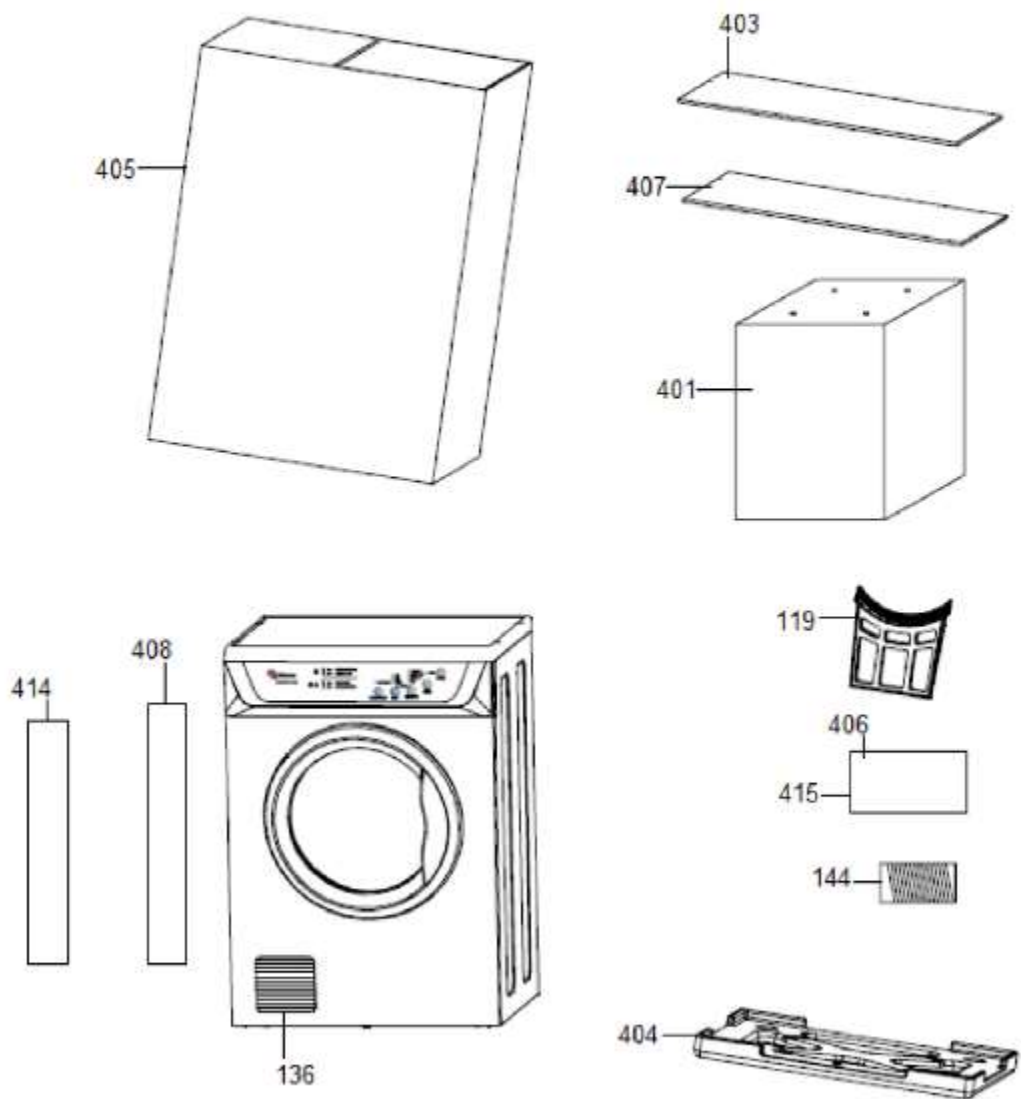
BENITO JUÁREZ #1500 GPE ZITON, CD. GUADALUPE NUEVO LEÓN TEL: 8183377999 Y 49
 HORARIOS: LUNES A VIERNES 8:30 A 6:00 PM Y SÁBADOS DE 8:30 A 2:00 PM
 WEB: www.denek.com



SECADORA SEM81BDBYAA

PARTES PARA GABINETE Y EMPAQUE

SEM81BDBYAA



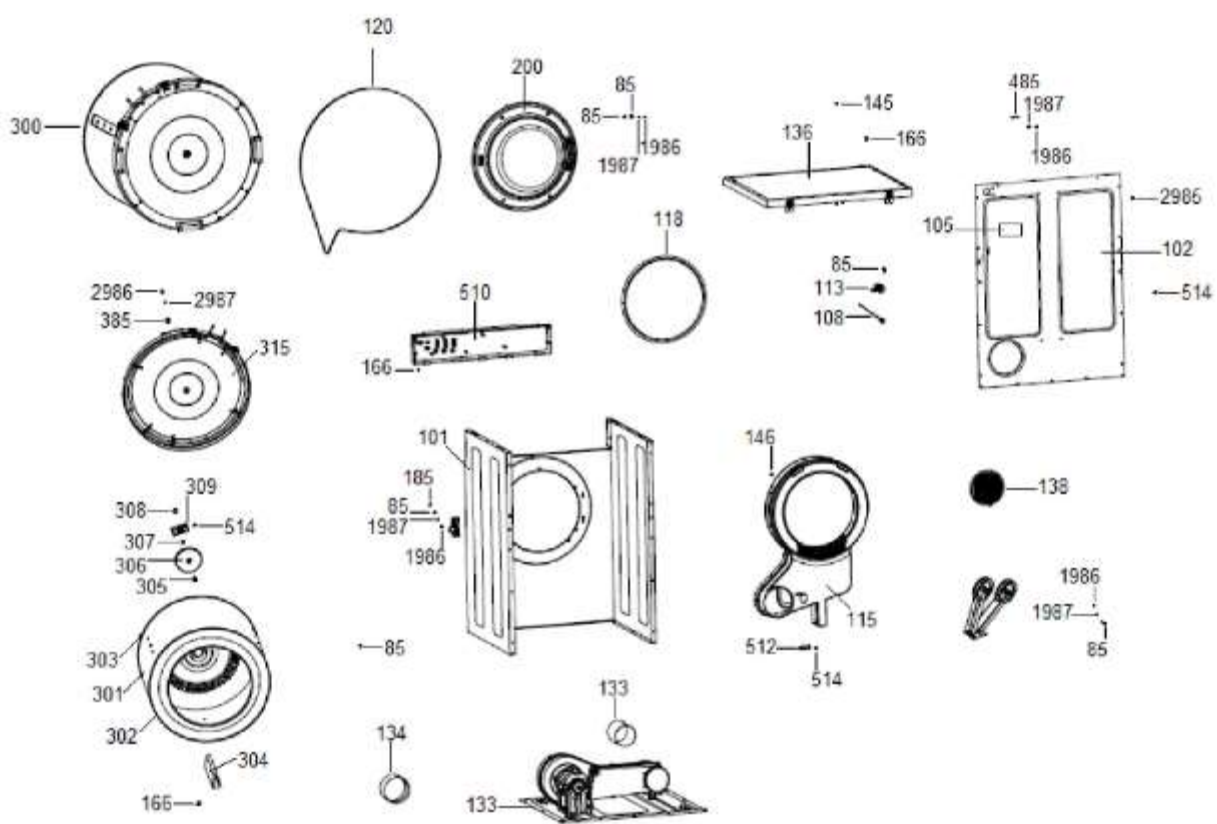
BENITO JUÁREZ #1500 GPE ZITON, CD. GUADALUPE NUEVO LEÓN TEL: 8183377999 Y 49
HORARIOS: LUNES A VIERNES 8:30 A 6:00 PM Y SÁBADOS DE 8:30 A 2:00 PM
WEB: www.denek.com



SECADORA SEM81BDBYAA

PARTES PARA GABINETE

SEM81BDBYAA



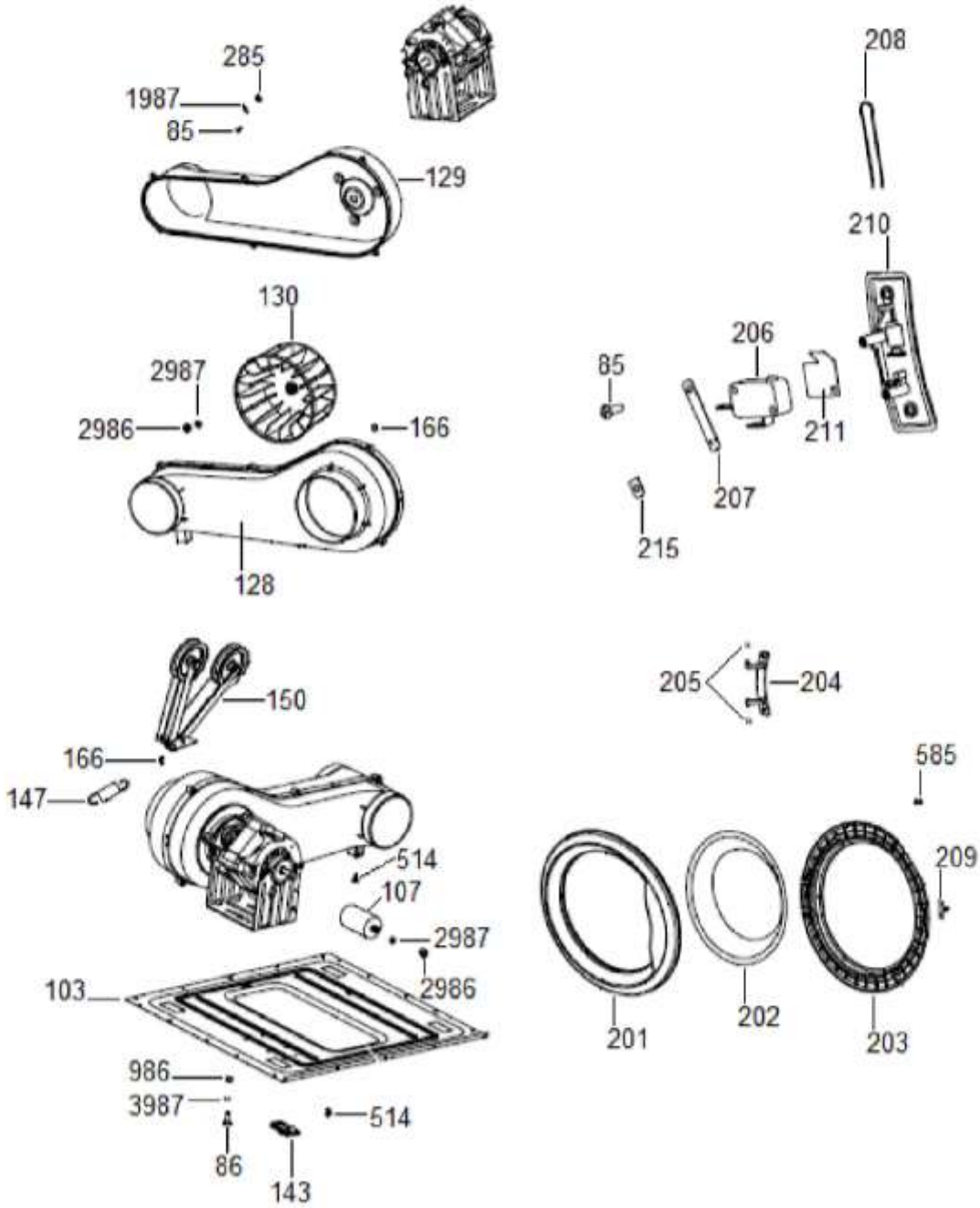
BENITO JUÁREZ #1500 GPE ZITON, CD. GUADALUPE NUEVO LEÓN TEL: 8183377999 Y 49
 HORARIOS: LUNES A VIERNES 8:30 A 6:00 PM Y SÁBADOS DE 8:30 A 2:00 PM
 WEB: www.denek.com



SECADORA SEM81BDBYAA

PARTES PARA GABINETE

SEM81BDBYAA



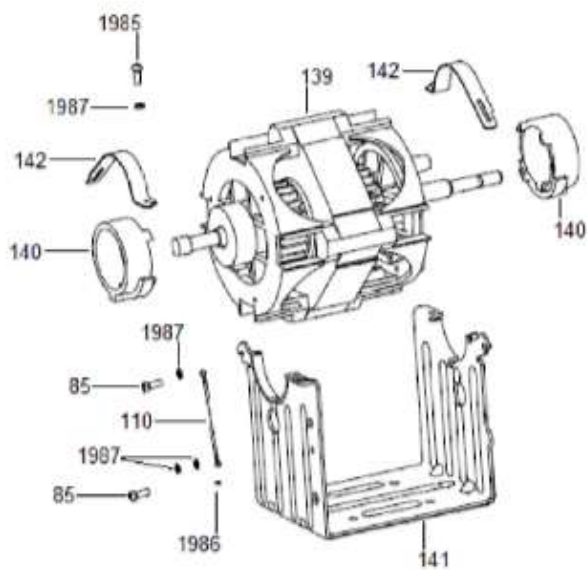
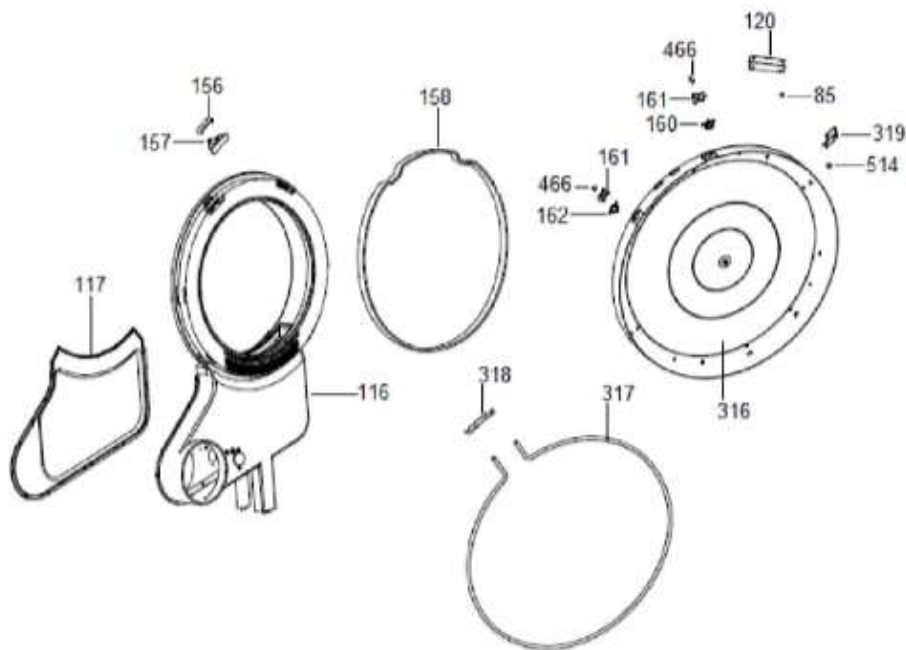
BENITO JUÁREZ #1500 GPE ZITON, CD. GUADALUPE NUEVO LEÓN TEL: 8183377999 Y 49
 HORARIOS: LUNES A VIERNES 8:30 A 6:00 PM Y SÁBADOS DE 8:30 A 2:00 PM
 WEB: www.denek.com



SECADORA SEM81BDBYAA

PARTES PARA GABINETE Y MOTOR

SEM81BDBYAA



BENITO JUÁREZ #1500 GPE ZITON, CD. GUADALUPE NUEVO LEÓN TEL: 8183377999 Y 49
HORARIOS: LUNES A VIERNES 8:30 A 6:00 PM Y SÁBADOS DE 8:30 A 2:00 PM
WEB: www.denek.com

Guía	Refacción	Descripción
101	WG04L01381	CABINET
102	WG04L06886	CABINET BACK BOARD
103	WG04L01357	CABINET MOTHERBOARD
104	WG04F03099	TOP BOARD
105	WG04F03977	ADIABATIC BOARD
106	WG04L06878	RATING LABEL (NAME PLATE)
107	WG04F03100	CAPACITOR
108	WG04F03101	POWER CORD SUBASSEMBLY
109	WG04L06879	CABINET BACK BOARD SUBASSEMBLY
110	WG04F12064	GROUND WIRE
111	WG04L06880	WARNING STICKER
113	WG04F03102	CONNECTION RACK
115	WG04F03103	FORWARD SUPPORT FOR INNER TUB SUBASSEMBLY
116	WG04F03104	FORWARD SUPPORT FOR INNER TUB
117	WG04L06881	GAS HOLE STOPPER
118	WG04L01358	DOOR AIRPROOF LOOP
119	WG04L01160	LINT FILTER SUBASSEMBLY
120	WG04F03105	DRIVING BELT
121	WG04F12104	FILTER BOX A
122	WG04F12098	FILTER BOX B
123	WG04A04710	LINT A
125	WG04F12065	TIGHTEN WHEEL
126	WG04F12066	TIGHYEN WHEEL INLAY
128	WG04F10727	FAN CRUST A
129	WG04F10728	FAN CRUST B
130	WG04F12103	IMPELLER
133	WG04L01293	BASE BOARD COMPONENT
133	WG04L01163	BACK VENT PIPE
134	WG04F03107	RUBBER CONNECTING PIPE
136	WG04F03884	TOP COVER SUBASSEMBLY
136	WG04F10732	FRONT VENT COVER
138	WG04L06882	WIND FLANGE
139	WG04F03108	MOTOR
140	WG04F03109	FIXED LOOP
141	WG04F03110	MOTOR SUPPORT

Guía	Refacción	Descripción
142	WG04F09311	RUBBER FIXER FLAKE
143	WG04A03636	MOTHERBOARD FIXING FOOT
144	WG04A04657	SUPPORT SUBASSEMBLY FOR TIGHTEN WHEEL
144	WG04F04193	EXTENSION PIPE
145	DE00-145	SCREW CAP
146	DE00-146	TAPPING SCREW M4X14
147	WG04F12067	TIGHTEN WHEEL SPRINT
149	WG04F12068	WIRES BUCKEL
150	WG04F03111	TIGHTEN WHEEL SUBASSEMBLY
151	WG04A04658	SUPPORT FOR TIGNTEN WHEEL
152	WG04A04659	TIGHTEN WHEEL PIN
153	WG04A04660	PIN
154	WG04A04661	SUPPORT BASE FOR TIGHTEN WHEEL
155	WG04F12069	FRICTION BLOCK SUBASSEMBLY
156	WG04F03112	FRICTION BLOCK
157	WG04F03113	FRICTION LINER
158	WG04F03114	FELT
160	WG04F03115	THERMOSTAT-S
161	WG04F10729	FIXED PLATE
162	WG04F03116	THERMOSTAT-Z
166	WG04F04188	TAPPING SCREW 4X12
166	DE000-166	TAPPING SCREW 4X12
167	WG04F12099	STRIPLINE
168	DE00-168	PLASTIC BAG
169	WG04F12100	WIRE CONNECTION
170	DE00-170	TAPPING SCREW 4X16
171	DE00-171	WASHER 4
185	GB/T818-85	SCREW M4X12/H62
200	WG04L06897	DOOR SUBASSEMBLY
201	WG04L06898	FORWARD DOORFRAME
202	WG04F03978	TRANSPARENT WINDOW
203	WG04L05329	BACK DOORFRAME
204	WG04L01161	DOOR HINGE
205	DE00-205	DOOR HINGE COLLAPSIBLE
206	WG04F03117	DOOR SENSITIVE SWITCH

Guía	Refacción	Descripción
207	WG04F12070	DOOR SWITCH
208	WG04F12071	DOOR SWITCH STEEL WIRE
209	WG04F03118	DOOR SWITCH PIN
210	WG04F03119	DOOR SWITCH MOUNTING PLATE
211	WG03L06528	DOOR SWITCH PLASTIC PIECE
214	WG04F04189	DOOR SWITCH MOUNTING BOX
215	DE00-215	NUT 4
285	GB848-85	WASHER 4
300	WG04F03120	INNER TUB SUBASSEMBLY
301	WG04A04246	TAMBOR
302	WG04L06883	FORWARD COVER OF INNER TUB
303	WG04L06884	BACK COVER OF INNER TUB
304	WG04A04245	PALETA AGITADOR
305	WG04F03121	INNER TUB AXIS
306	WG04F03122	FLANGE OF INNER TUBE AXIS
307	WG04F03123	AXIS OF SWIVEL GASKET A
308	WG04F03124	AXIS OF SWIVEL GASKET B
309	WG04F03125	AXLE TREE PLYWOOD
315	WG04L06109	HEATING WIND COVER SUBASSEMBLY
316	WG04F03126	HEATING WIND COVER
317	WG04F03127	HEATING PIPE
318	WG04F12072	HEATING PIPE FIXED PLATE
319	WG04A04662	HEATING PIPE HOLDER
320	WG04L06885	CONNECTED BOARD OF HEATING WIND COVER
385	GB/T96-85	BIG WASHER -C
400	DE00-400	PACKAGING ASSEMBLY
401	DE00-401	PLASTIC BAG
402	DE00-402	PLASTIC BAG OF PLUG
403	WG04F12101	TOP CARDBOARD A
404	WG04L06899	BOTTOM LINER
405	DE00-405	PACKING BOX
406	DE00-406	OPERATION MANUAL
407	WG04F12102	TOP CARDBOARD B
408	WG04L06900	SIDE LINING A
413	DE00-413	ADHESIVE TAPE

Guía	Refacción	Descripción
414	WG04L06901	SIDE LINING B
415	DE00-415	PLASTIC BAG OF OPERATION MANUAL
500	WG04F03128	PCB
508	WG04L01162	PANEL STICKER
509	WG04F04194	CONTROL pa
510	WG04F04190	CONTROL PANEL SUBASSEMBLY
511	WS01F06707	WIRING HARNESS
512	WG04F03129	TEMPERATURE SENSOR
513	WG04F03130	BUTTON
514	DE00-514	TAPPING SCREW 4X10
515	DE00-515	SUPPORT FOR PCB
516	DE00-516	TAPPING SCREW4X10
585	GB/T847-85	TAPPING SCREW SY3.5X16
685	GB/T820-85	SCREW M4X10
851	GB/T818-851	SCREW M4X12-H62
1985	GB/T818-1985	SCREW M4X10
1986	GB/T6170-1986	NUY 4/H62
1987	GB/T93/1987	SPRING WASHER 4
1994	WG04F03137	AXLETREE -Z608
2987	WG04L06115	SPRING WASHER 8