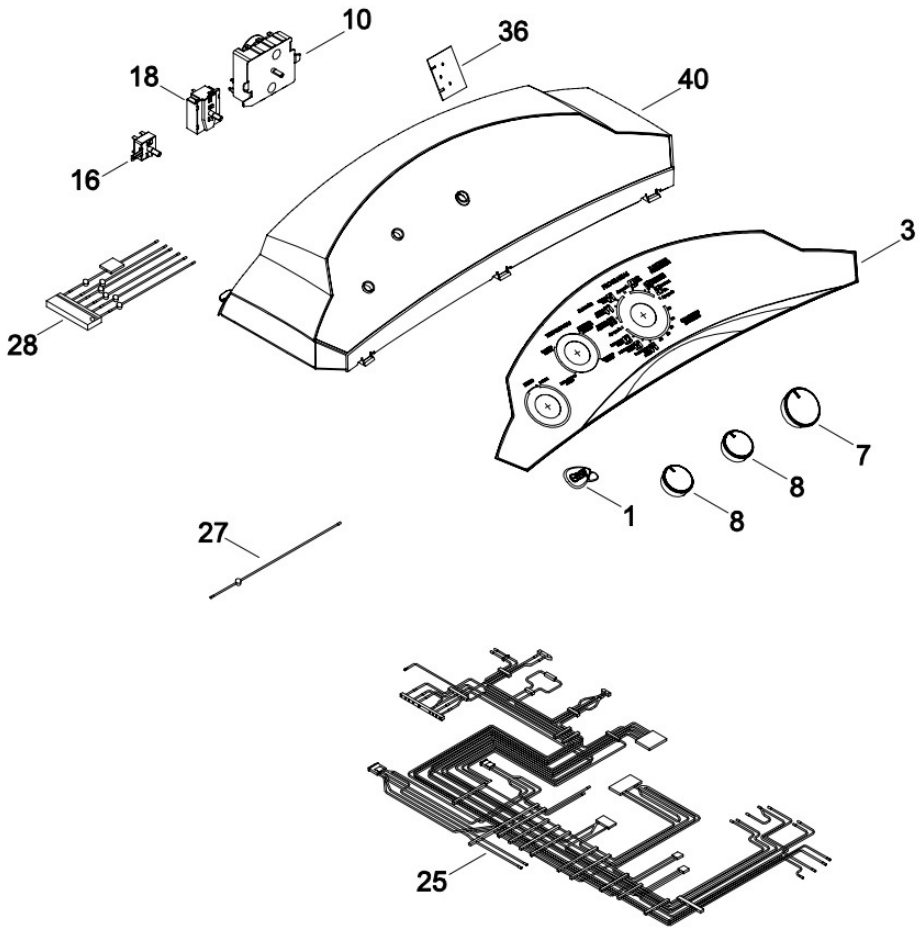


Secadora Mabe SEV735XPGG00

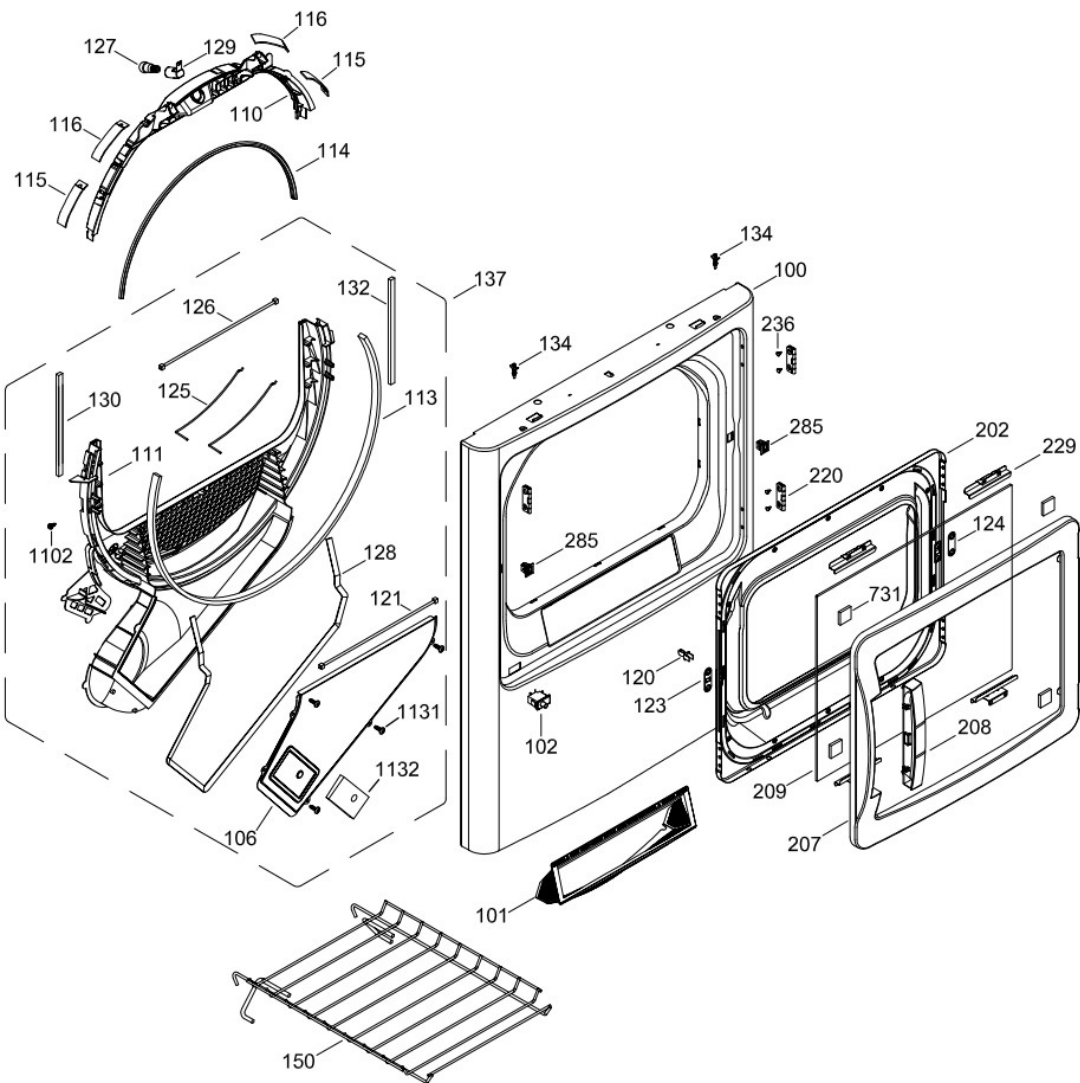


Distribuidor Autorizado

SurteRápido.com

Venta de Refacciones
Electrodomesticas

Secadora Mabe SEV735XPGG00

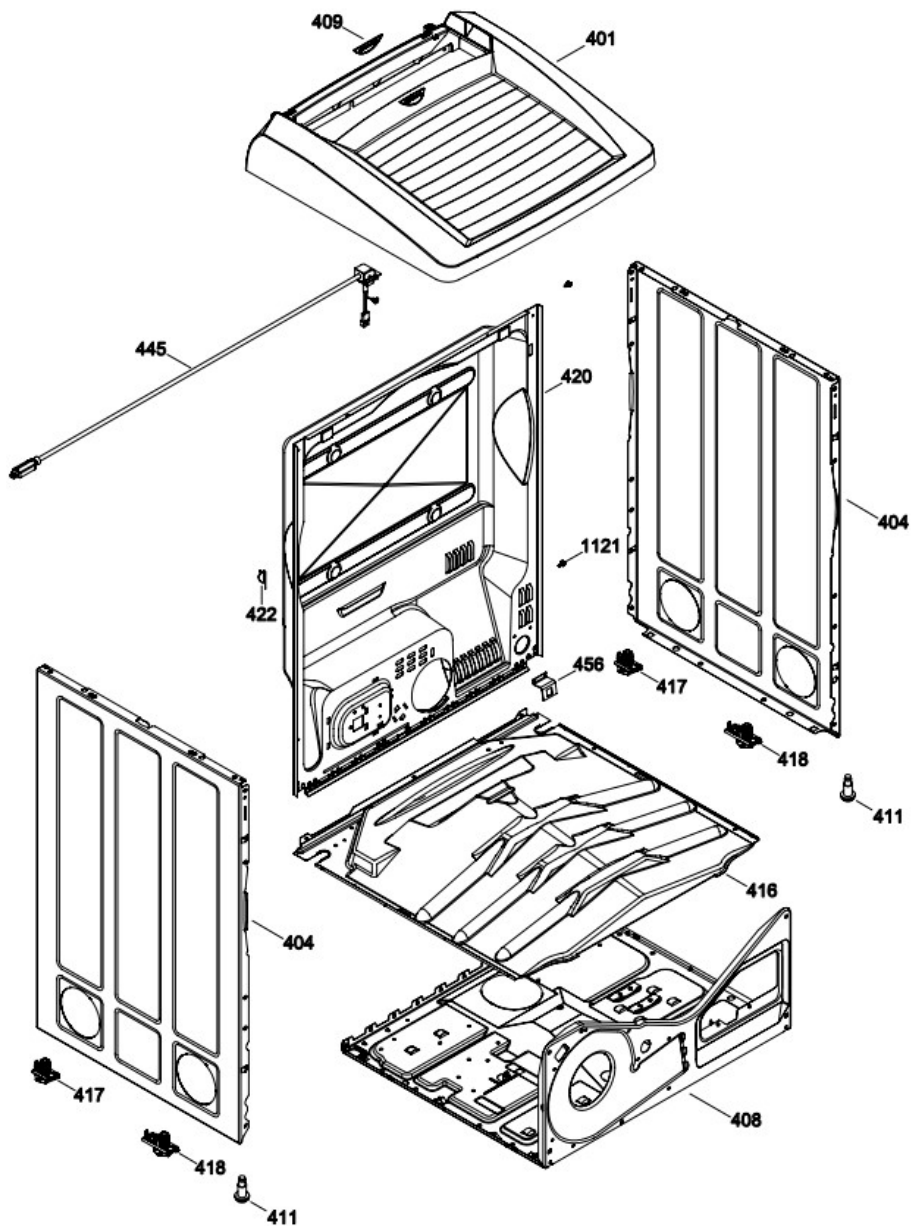


Distribuidor Autorizado

SurteRápido.com

Venta de Refacciones
Electrodomesticas

Secadora Mabe SEV735XPGG00

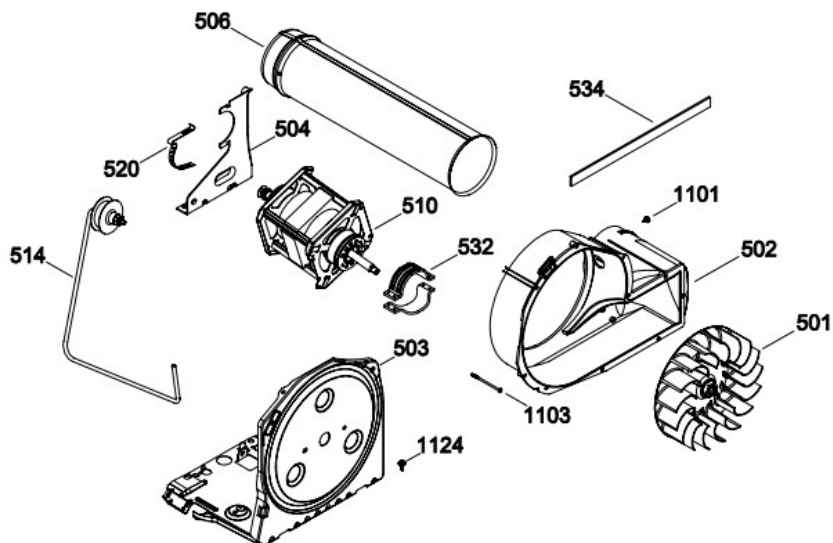


Distribuidor Autorizado

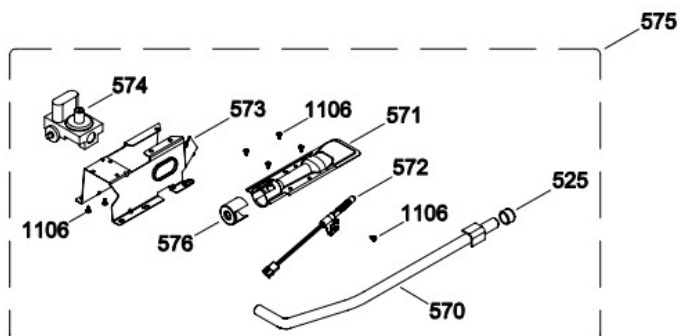
SurteRápido.com

Venta de Refacciones
Electrodomesticas

Secadora Mabe SEV735XPGG00



QUEMADOR / BURNER





Secadora Mabe SEV735XPGG00

Guía	Componente	Descripción
1	323B2569P001	LOGO EASY
3	234D1597P001	MASCARILLA
3	234D2358P001	MASCARILLA
7	323B2343G004	PERILLA CONTROL ENS(GRIS)
8	323B2342G010	PERILLA ROTATORIA
10	212D1233P012	RELOJ
10	234D1296P005	RELOJ
16	212D1094P004	INTERRUPTOR DE INICIO
18	212D1097P002	INTERRUPTOR ROTATORIO
25	189D7015G004	ENS. ARNES
27	189D7018G003	ARNES PANEL CONTROL
28	189D7017G001	CIRCUITO IMPRESO
36	559C213G004	TARJETA PC
40	189D5239P007	COPETE
100	189D5117P004F	PANEL FRONTAL PUERTA(GRAFITO)
101	212D1660P001	FILTRO
102	248C1157P001	INTERRUPTOR PUERTA
106	189D5242P001	CUBIERTA DUCTO
110	212D1677P001	COJINETE SUP.
110	234D1978G003	COJINETE SUP.
111	212D1060P001F	DUCTO TRAMPA
113	323B4099P003	FELPA DUCTO RECOLECTOR
114	572D359P002	SELLO PUERTA
115	540B387P001	BEARING_SLIDE
116	540B387P002	BEARING_SLIDE
120	143B9304P001	STRIKE
121	212D1080G084	ARNES
123	248C1028P001	STRIKE PLATE



Secadora Mabe SEV735XPGG00

Guía	Componente	Descripción
124	248C1028P002	STRIKE PLATE
125	540B266P001	SENSOR ROD
126	212D1080G100	ARNES
127	364B6009P001	LAMP
127	278B1125P001	LAMP
128	136B9174P201	GASKET FOAM
129	248C1044P001	ENS. CLAVIJA
129	248C1044P006	ENS. CLAVIJA
130	136B9174P205	SELLO
132	136B9174P194	SELLO
132	136B9174P202	SELLO
134	102A3145P096	SOPORTE BLOQUEO
137	189D7054G003	DUCTO TRAMPA ENS CON SENSORES
137	189D7054G014	DUCTO TRAMPA ENS CON SENSORES
150	234D1329P001	PARRILLA PARA ZAPATOS
202	189D5223P005	INNER DOOR
202	189D5223P005P	INNER DOOR
202	189D5223P008	PUERTA INTERIOR
207	189D5235P003	ANILLO EXT.
208	189D5236P004	JALADERA
209	189D5237P001	PANEL VIDRIO
220	267A3218P012	BISAGRA
220	254C1041P001	BISAGRA
229	228C2422P001	SOPORTE VIDRIO
229	228C2422P001T	SOPORTE VIDRIO
229	228C2422P002	SOPORTE VIDRIO
236	323B4040P003	BOTON BELLEZA
285	364B6004G001	LATCH ASM.



Secadora Mabe SEV735XPGG00

Guía	Componente	Descripción
401	189D7004G002	ENS. CUBIERTA SUP. PLASTICA
404	189D7020P004F	LATERAL(GRAFITO)
408	212D1535P004	BASTIDOR BASE
409	323B2304P005	LOGO ID SYSTEM
411	540B364G001	PATA ESTABILIZADORA ENS.
416	189D5244P001	DEFLECTOR
416	189D5244P001T	DEFLECTOR
416	189D5244P002	DEFLECTOR DE CALOR
417	248C1143G001	ENS. SOPORTE POST.
418	248C1144G001	ENS. SOPORTE FRONT.
420	572D400P007	PANEL POST.
422	267A3165P001	CORD SET RETAINER
445	248C1142P001	POWER CORD
445	559C210P007	POWER CORD
456	141A5987P002	BRIDE
501	212D1092G001	SOPLADOR PUERTA
501	234D1593P001	SOPLADOR PUERTA
502	212D1503P003	CARCAZA ASPAS
502	212D1503P006	CARCAZA ASPAS
503	234D1089P005	BASE MOTOR
503	234D1526P004	BASE MOTOR
503	234D1526P001	BASE MOTOR
503	234D2653P001	BASE MOTOR
504	559C001P006	SOPORTE MOTOR
506	572D559P006	CONDUCTO DE ESCAPE
510	234D1158G001	MOTOR POLEA ENS.
510	234D2415G002	MOTOR POLEA ENS.
514	189D7031G001	ENS. BRAZO AUXILIAR



Secadora Mabe SEV735XPGG00

Guía	Componente	Descripción
514	189D7031G002	ENS. BRAZO AUXILIAR
520	717B299P001	CLIP MOTOR
525	102A3160P174	TAPA
532	123C7934P001	CORREA MOTOR
534	364B7029P001	EMPAQUE ESCAPE SOPLADOR
570	248C1045G001	PIPE & LUG ASM.
570	254C1047G001	PIPE & LUG ASM.
571	248C1176G001	QUEMADORES
572	123C7632G001	ALLUME-GAZ
572	248C1186P002	ALLUME-GAZ
573	212D1549P001	GAS VALVE BRACKET
573	212D1549P003	GAS VALVE BRACKET
574	572D366G001	VALVUAL DE GAS ENS.
575	228C4003G002	VALVULA Y QUEMADOR ENS
576	540B336P001	AIRADOR
600	189D7026G002	ENS. TAMBOR
610	559C197P005	BANDA SECADORA
616	228C4002P001	CAMARA DE COMBUSTION
616	228C4002P001T	CAMARA DE COMBUSTION
616	228C4002P007	CAMARA DE COMBUSTION
620	572D223P004	BAFFLE
622	109B8868G001	DETECTOR TERMOSTATO
625	212D1629P001	DIFUSOR GAS
625	234D1568P001T	DIFUSOR GAS
626	572D388P002	DIFUSOR
627	189D7033P001	DUCTO DE TRANSICION
627	189D7033P003	DUCTO DE TRANSICION
630	248C1156G001C	SOPORTE Y FLECHA ENSAMBLE



Secadora Mabe SEV735XPGG00

Guía	Componente	Descripción
637	161B3251P004	RETENEDOR RODAMIENTO
640	278B1309G001	GROUND STRAP ASSEMBLY
640	278B1309G001F	GROUND STRAP ASSEMBLY
640	278B1309G002	GROUND STRAP ASSEMBLY
727	323B1455P001	TIE WRAP ARNESS
727	228C2109P003	TIE WRAP ARNESS
731	364B6069P001	CALZA
1101	540B006P020	TORNILLO
1101	278B1440P002	TORNILLO
1102	540B006P001	TORNILLO
1102	278B1440P002	TORNILLO
1103	540B006P046	TORNILLO
1105	102A3143P120	ARANDELA
1106	540B004P002	SCREW
1120	540B006P033	TORNILLO
1121	109B3403P052	TORNILLO
1124	540B006P032	TORNILLO
1131	540B004P062	TORNILLO
1132	323B2599P001	ESPACIADOR ESPUMADO