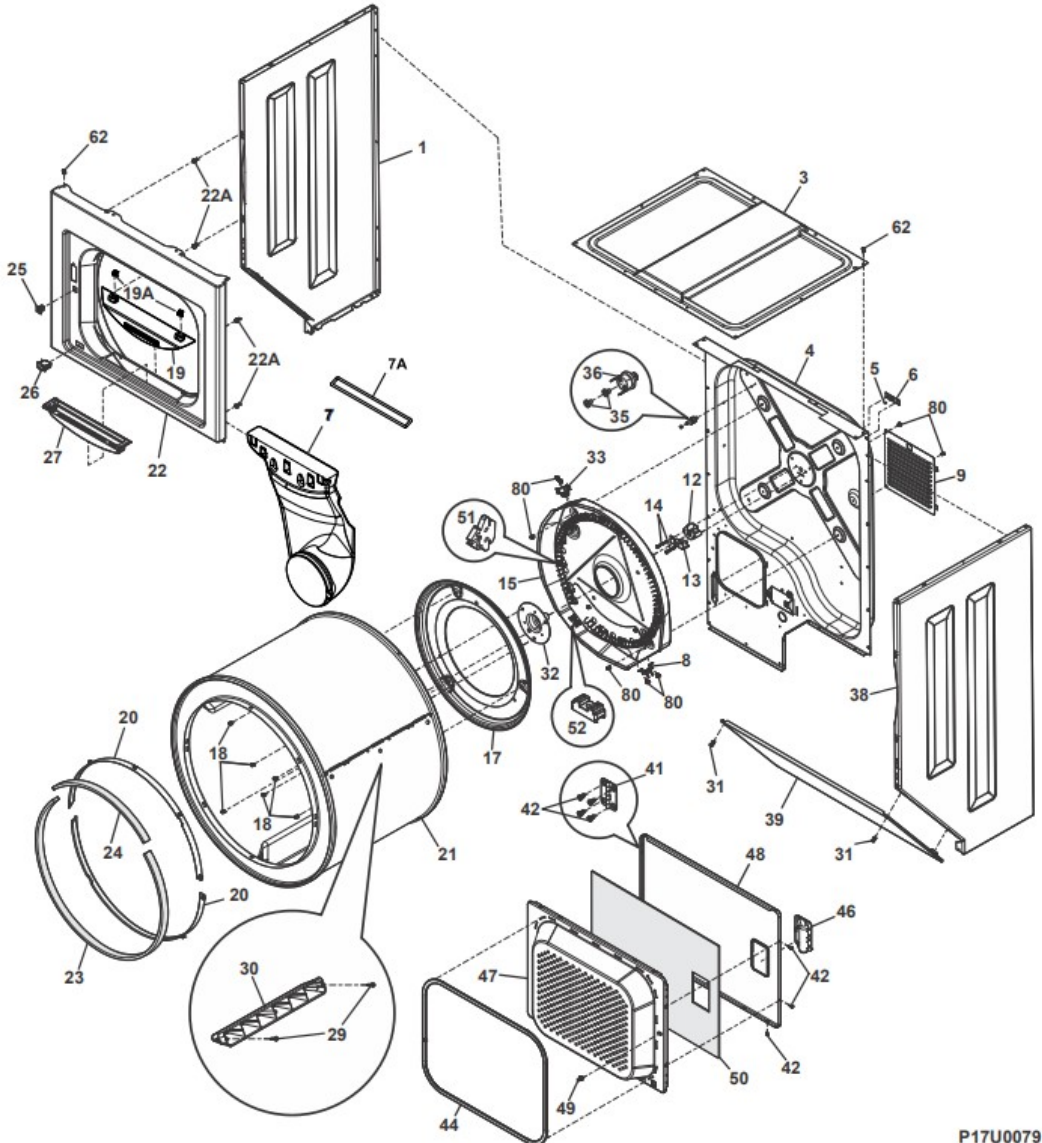


Distribuidor Autorizado

SurteRápido.com

Venta de Refacciones  
Electrodomesticas

C.L. Frigidaire SFLG1011MW0



P17U0079



C.L. Frigidaire FLG1011MWO

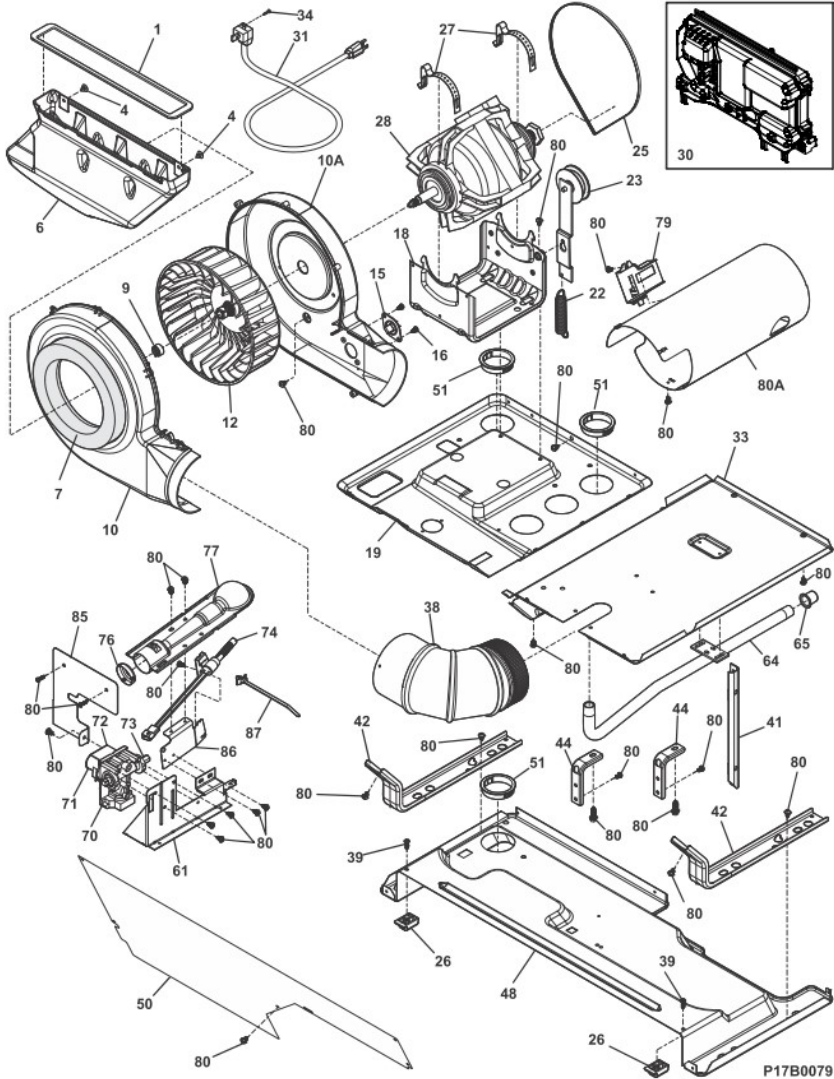
POS. NO	PART NO.	DESCRIPTION
1	137510410	Panel, left side, white
3	131883301	Panel, top
4	137491301	Panel, rear, dryer, stainless
5	5303281019	Ball, grounding
6	5303281020	Clip, ball, steel, flat nut
7	134086300	Duct, air
7A	131295200	Seal, air duct
8	137032600	Limiter, thermal, heater
9	5304488480	Panel, motor access, washed
12	131825900	Bearing, drum support
13	131724300	Bracket, bearing support
14	131205400	Screw, bracket mtg., 10-16B x 1.375, cr/sq drive
15	134865102	Housing, heater, gas
18	131477000	Screw, 10-16AB x 0.375
20	137513300	Glide, flat, dryer
21	134122565	Drum, LC GALV GD
22	137511810	Panel, front weld, white
22*	131870700	Plug, light hole
22A	137362600	Pin, panel locator
23	134134700	Seal, felt, lower
24	134036400	Seal, felt, upper
25	131658800	Door Catch, upper
26 #	134813600	Switch, door
27	131359600	Lint Trap
29	131382300	Screw, quadrex head, 10-14 x 1.00, vane mtg., special
30	5303201200	Vane, straight
31	131202300	Screw, 10-16AB x 0.625
32	137088600	Shaft, drum support, ballhitch
33 #	5304406099	Thermostat, safety
38	137510510	Panel, right side, white
39	137546910	Panel, access
41	134222900	Hinge, dryer door
42	134156200	Screw, flat head, 8-18AB x 0.44, quad drive
44	137492200	Gasket, door
46	131789400	Handle, door, white
47	137365110	Panel, inner door, white
48	137408403	Panel, outer door, white
49	5303211430	Door Strike
50	134535300	Insulator, heat shield, outer door
54*#	137328900	Wiring Harness, door switch, w/o light
62	131258400	Screw, 10-16AB x 0.500
80	131168200	Screw, pan head, 8-18B x 0.31

Distribuidor Autorizado

SurteRápido.com

Venta de Refacciones  
Electrodomesticas

C.L. Frigidaire SFLG1011MW0





C.L. Frigidaire SFLG1011MWO

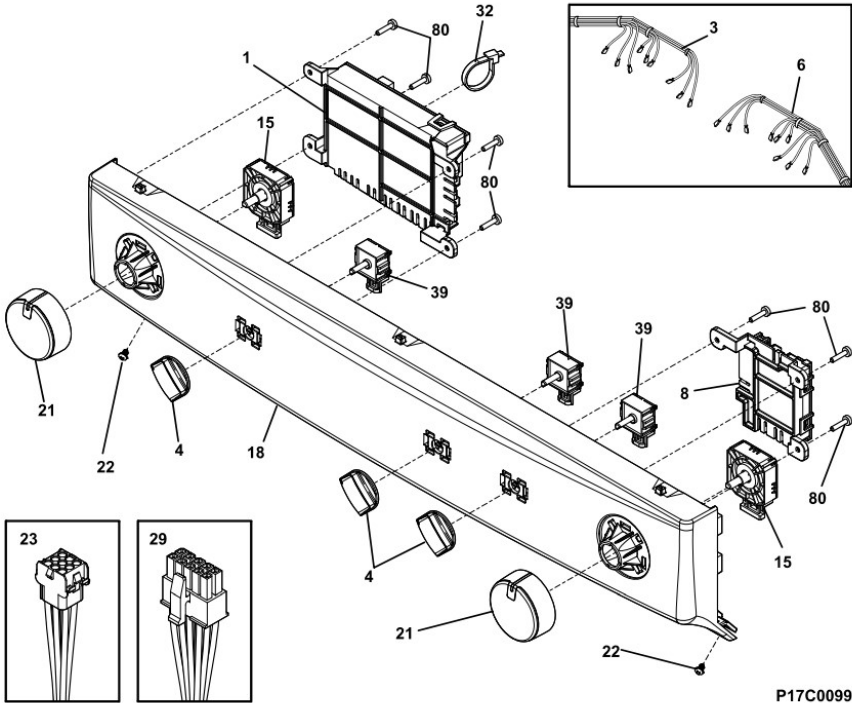
POS. NO	PART NO.	DESCRIPTION
1	131295200	Seal, air duct
4	131362400	Fastener, push-in
6	134086300	Duct, air
7	3204490	Seal, housing, to air duct
9	5304488479	Clamp
10	134611700	Housing, blower, front, with seal
10A	134608200	Housing, blower, rear
12	131476300	Blower Wheel
15 #	134587700	Thermistor, control
16	131243700	Screw, pan head, 8-18AB x 0.375
18	131367100	Cradle, motor w/idler
19	137490900	Pan, Upper L/C, dryer, formed
22	3205241	Spring, idler
23	131863100	Idler Arm Assy, with pulley
25	137292700	Belt, dryer, LC
26	137511300	Block, support
27	134242400	Clamp, motor mtg.
28 #	134196600	Motor, dryer drive, with pulley
31	134500500	Power Cord, electric svce
33	131731410	Shield, access area, cover
34	134154100	Screw, hex washer head, 10-32 x 0.375, ground
38	3204320	Elbow, exhaust duct
39	131205100	Screw, #8 pan head, 10-10B x 0.500, cr/sq drive
41	131091300	Bracket, support, side
42	137304710	Bracket, marriage, dryer
44	3204326	Bracket, L mounting, cabinet rear, external
48	137329110	Pan, bottom LC dryer
50	5304488478	Cover, support, LCD
51	131453000	Bushing, snap-in
61	5303309493	Bracket, gas valve mtg
64	137076300	Pipe, gas
65	08015112	Cap, pipe
70 #	134169200	Valve, LP gas
71 #	5300622602	Solenoid, secondary coil
72 #	5308015680	Solenoid, booster coil
73 #	5303211036	Orifice, natural gas, size 44
74 #	134393700	Igniter Assy
76	134714400	Collar, alignment, gas valve
77 #	134216600	Burner Assy
79 #	5303281135	Sensor, radiant
80	131168200	Screw, pan head, 8-18B x 0.31
80A#	131712401	Tube, burner
85	134287300	Shield, heat
86	134264800	Plate, adapter
87	131964400	Cable Tie, push mount, 5.20 inch
* #	134391000	LP Conversion Kit, natural to LP

Distribuidor Autorizado

**SurteRápido.com**

Venta de Refacciones  
Electrodomesticas

C.L. Frigidaire SFLG1011MW0



P17C0099

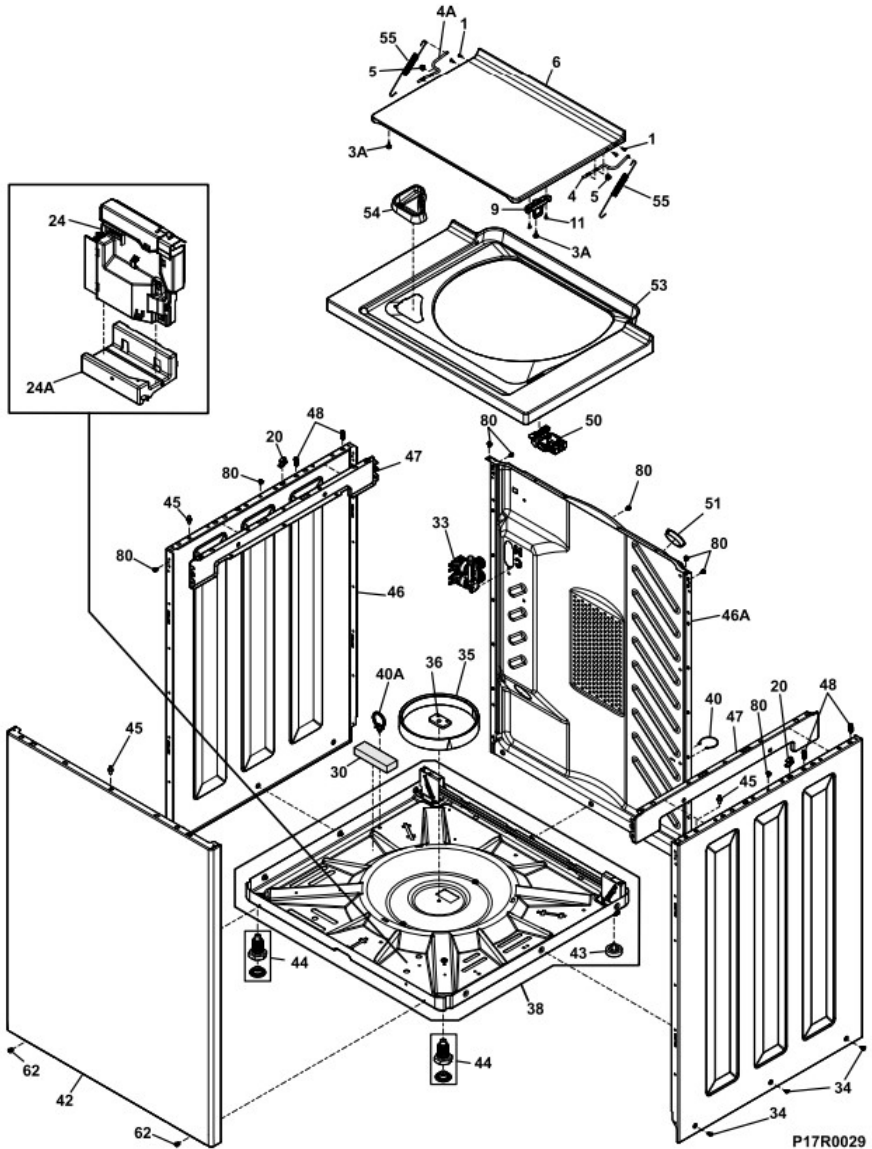
POS. NO	PART NO.	DESCRIPTION
1 #	137275305	Control Board, main, w/housing
3 #	137329200	Wiring Harness, LC Dryer
4	137191300	Knob, switch
6 #	137156200	Harness, UI, washer, LC
8 #	137332702	PC Board, communication, w/housing
15 #	137493300	Switch, PTS cycle, 8 position
18	137445000	Console, dec. frig, LC
21	137489800	Knob, Cycle Selector
22	131205100	Screw, #8 pan head, 10-10B x 0.500, cr/sq drive
23 #	137161400	Harness, main, LC
29 #	137303800	Harness, main, LC-D-gas
32	5303321209	Cable Tie, 5.60 inch, plastic
39 #	137052500	Switch, option 3 pos
80	134402900	Screw, Phillips, 6-19 x 0.650

Distribuidor Autorizado

SurteRápido.com

Venta de Refacciones  
Electrodomesticas

C.L. Frigidaire SFLG1011MW





C.L. Frigidaire SFLG1011MWO

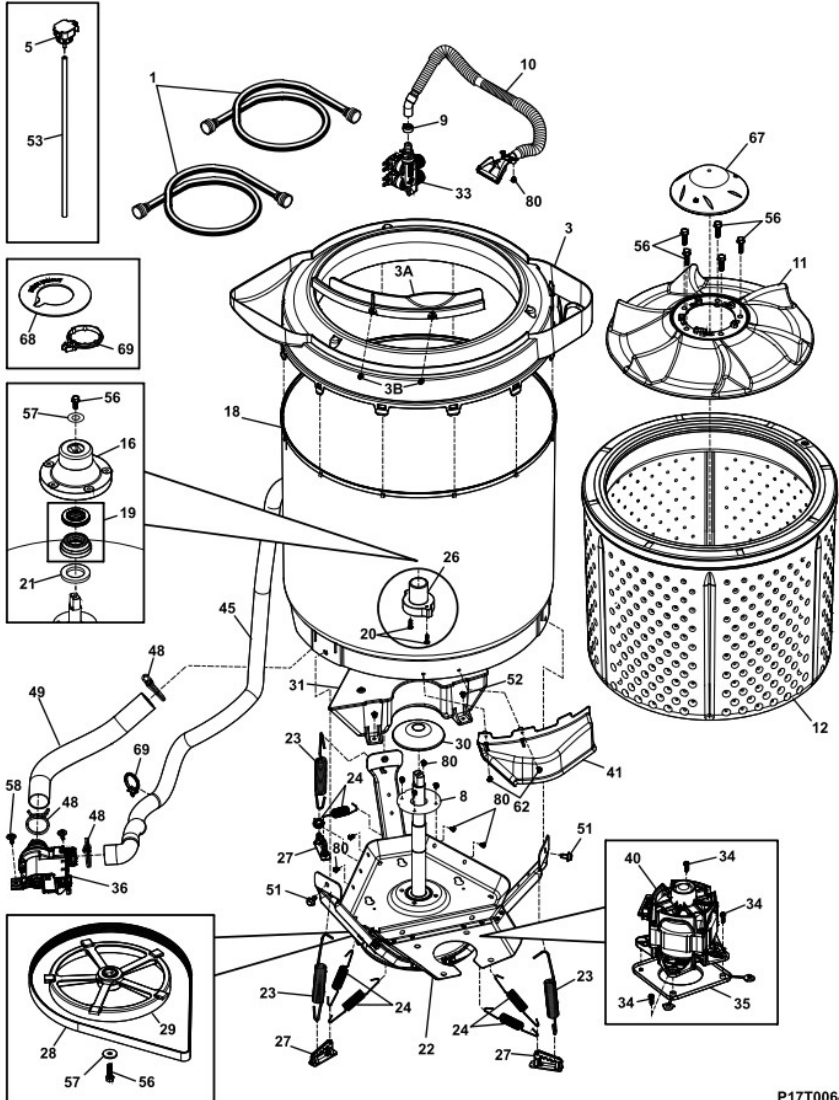
POS. NO	PART NO.	DESCRIPTION
1	134203900	Screw, pan hd phillips, 6-32 x 0.337, dog point
3A	134075500	Bumper, lid, front
4	137469900	Hinge Bar, RH, LC
4A	137470900	Hinge Bar, LH, LC
5	5304488483	Grommet, hinge, acetal
6	5303212872	Lid, washer, white
9	137513710	Striker, lid, white
11	3204368	Screw, lid strike mtg, 6-20B X 0.375
20	3204374	Pin, slide, side to top
24 #	137469113	Control, motor, main pc board
24A	137469200	Base, motor control
30	131663500	Cushion, drain hose, base
33 #	137353500	Valve-2 Coil, 120v, water
34	131205500	Screw, cab body, 1/4-14 x 0.625, side-to-base
35	5308002385	Snubber Ring
36	3204380	Shipping Block
38	137364600	Base Assembly, self-leveling
40	5303309503	Clip, drain hose, back sheet
40A	134261300	Clip, drain hose, push-mount
42	137455410	Panel, front, LC
43	131422200	Pad, self lvlg leg, rear
44	5303309673	Leg, leveling w/pad
45	131346401	Pin, panel locator, front
46	137272610	Panel, washer side, white, LH/RH
46A	137273201	Panel, washer back, washed
47	137304500	Bracket, Marriage, LH/RH Washer
48	137329800	Screw 12-24 UNC X .75 HEX, washer
50	137353300	Lock, lid, external switch
51	131453000	Bushing, snap-in
53	137190810	Panel, washer top LC, white
54	5304488476	Dispenser, bleach, LC
55	134890500	Spring, lid assist
62	131258400	Screw, 10-16AB x 0.500
80	131168200	Screw, pan head, 8-18B x 0.31

Distribuidor Autorizado

SurteRápido.com

Venta de Refacciones  
Electrodomesticas

C.L. Frigidaire SFLG1011MW0



P17T0064





C.L. Frigidaire SFLG1011MWO

POS. NO	PART NO.	DESCRIPTION
1	137472301	Hose asmy, water inlets, 4 ft., hose & washer
3	137305200	Cover, splash tub, with seal
3*	131901400	• Seal, splash cover
3A	137419200	Shield, tub cover
3B	131302800	Screw, quadrex ph, 10-16AB x 0.5
5 #	137055800	Sensor, pressure, low freq analog
8	137363400	Cover, bearing
9	5304488479	Clamp
10	137308000	Hose, fill nozzle asy
11	137494000	Wash Plate
12	137492900	Tub, Spin, w/o lint filter
16	137489100	Trunnion, standard
18	137326200	Tub, splash, w/air dome/brng
19	137547700	Tub Seal Kit
21	137272000	Grommet, seal
22	137513900	Leg, Dome & Brackets, assembly
23	134885900	Spring, vertical
24	137272300	Spring, horizontal
26 #	137466100	Bearing & Housing Assembly
27	137491600	Retainer, insert, spring
28	137051400	Belt, poly V
29	137489000	Pulley, drive, 250 mm
30	137049800	Shield, slinger
31	137466600	Counterweight
33 #	137353500	Valve-2 Coil, 120v, water
34	137470600	Screw, quad hex, 12-14 x 0.75
35	137510300	Plate, motor isolator
36 #	137108100	Pump, drain
40 #	137326000	Motor, 3 phase, induction
40A	137324300	Wiring Harness, motor
40B*	137457100	Bracket, motor, TLW, LC
41	137282900	Shield, motor
45 #	134592700	Hose, drain
45*	131453000	Bushing, snap-in
45*	131663500	Cushion, drain hose, base
45*	134261300	Clip, drain hose, push-mount
45*	134745300	Clip, drain hose
48	131306234	Clamp, hose, wire
49 #	131494800	Hose, pump to tub
51	137466300	Screw, hex washer head, 5/16 x 0.625, special
52	131202300	Screw, 10-16AB x 0.625
53	5303292722	Tubing, vinyl, 16" long
56	137050600	Screw 5/16-18-2A, UNC x 1.25
57	137489500	Washer, flat
58	134160900	Screw, washer hd, 10-16AB X 0.75
62	131258400	Screw, 10-16AB x 0.500
67	137193200	Cap, wash plate
68	131707800	Ring, drain hose
69	5303309503	Clip, drain hose, back sheet
80	137511100	Screw, hex head, 10-24 x 0.500, type F