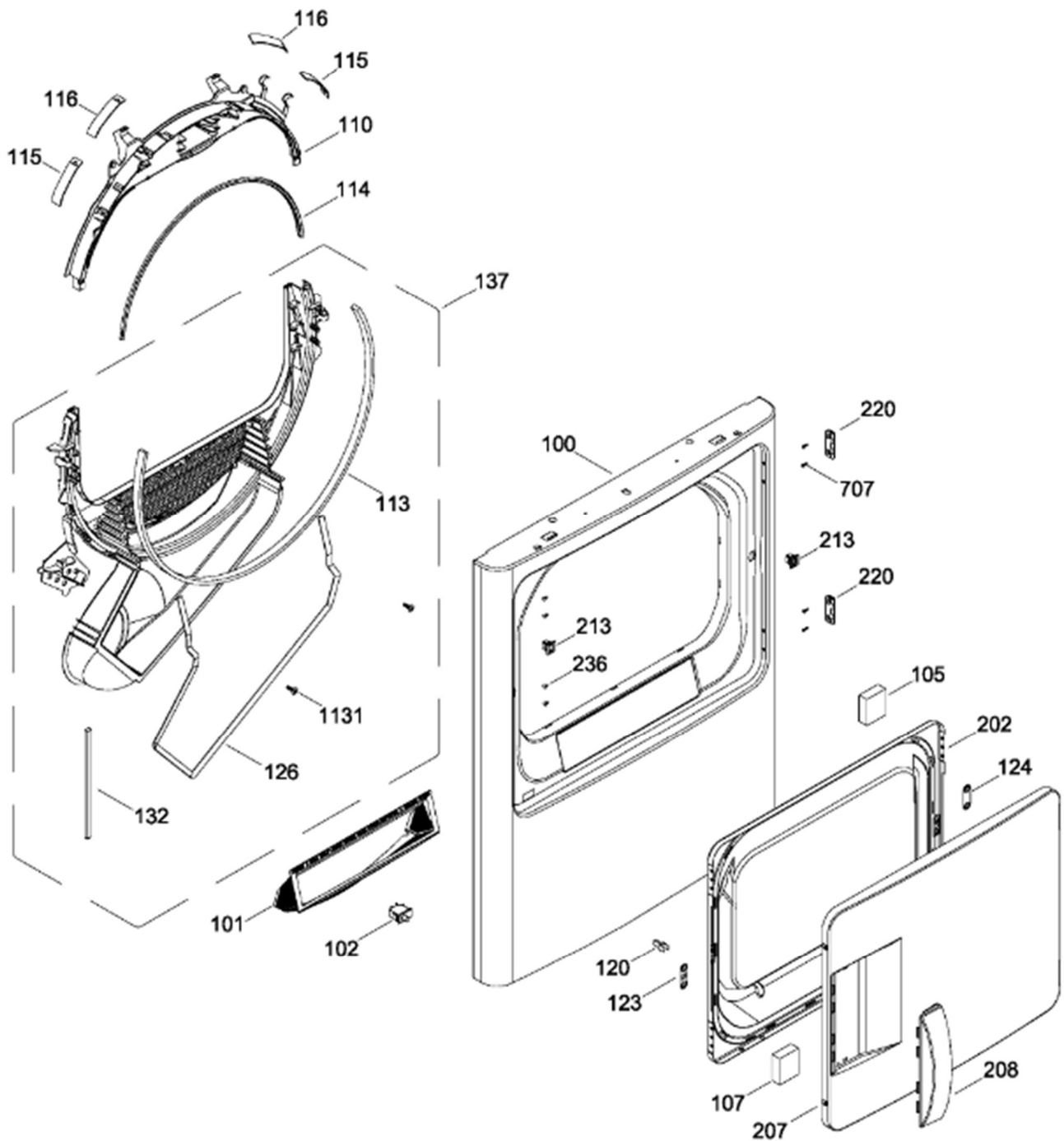


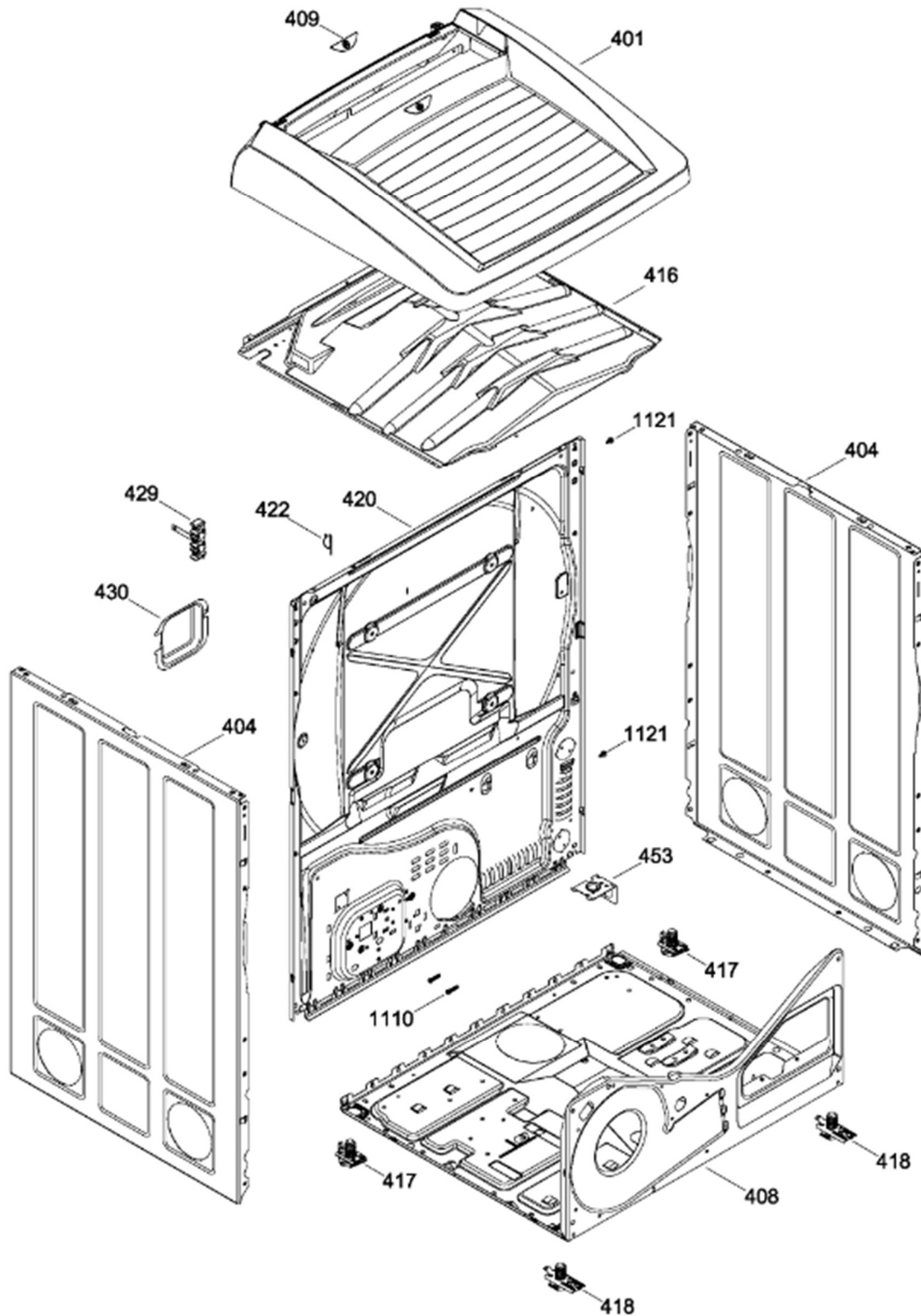
PUERTA (ENS)

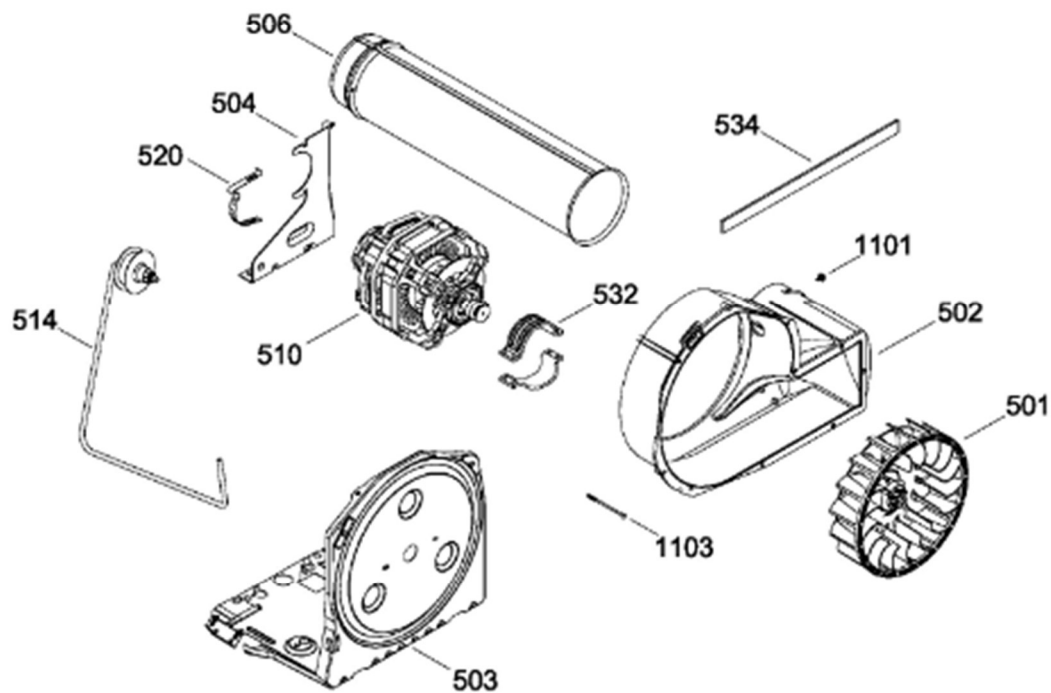
SGC630NDEBB00



GABINETE

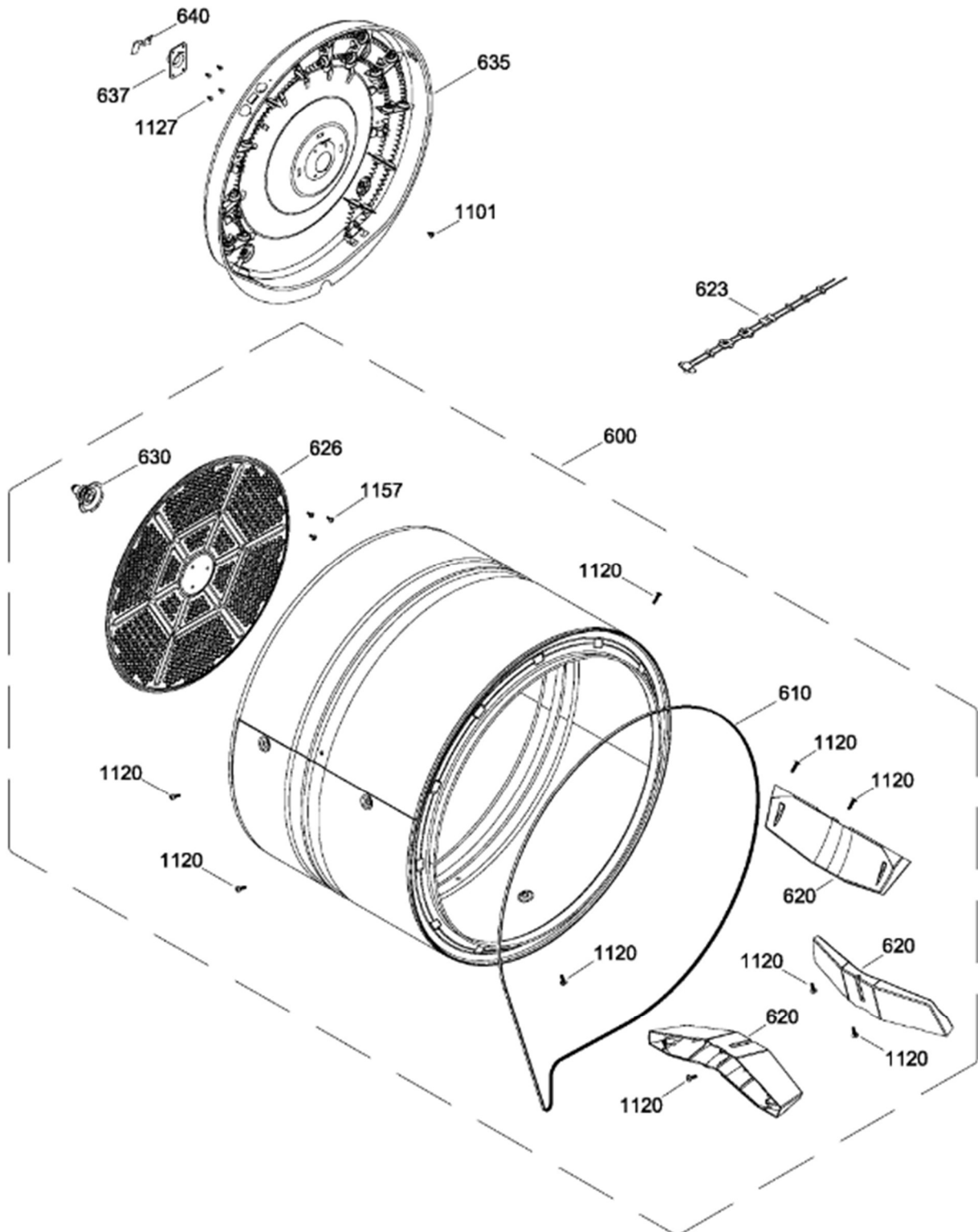
SGC630NDEBB00





TAMBOR

SGC630NDEBB00



Guía	Refacción	Descripción
3	WW02A00125	OVERLAY
7	WW01L00408	ENS. PERILLA CONTROL
8	WW02L00132	PERILLA ROTATORIA ENSAMBLE
10	WW02F00069	RELOJ
16	WW02L00083	INTERRUPTOR DE INICIO
17	WW02L00085	INTERRUPTOR ROTATORIO
17	WW02L00430	INTERRUPTOR ROTATORIO
21	WW02F00089	RESISTENCIA ENS.
21	WW02A00302	RESISTENCIA ENS.
27	WW02F00052	ARNES PANEL CONTROL
29	WW03F00347	ARNES PANEL CONTROL
40	WW02L00059	COPETE
100	WW02L00049	PANEL FRONTAL (BCO)
101	WW02F00190	FILTRO ATRAPAPELUSA
101	WW02F00615	FILTRO ATRAPAPELUSA
101	WW02F00616	FILTRO
102	WW02L00025	INTERRUPTOR PUERTA
105	WW02L00210	SEPARADOR PUERTA
107	WW03L00062	ESPACIADOR PUERTA
110	WW02L00199	COJINETE SUP.
110	WW01L01430	COJINETE SUP.
113	WW01L01329	FELPA COLECTOR DE AIRE
113	WW02F00783	FELPA COLECTOR DE AIRE
113	WW02F00783	FELPA DUCTO RECOLECTOR
114	WW02L00145	SELLO PUERTA
115	WW02A00033	BEARING_SLIDE
116	WW02L00038	BEARING_SLIDE
120	WW02A00004	STRIKE
123	WW02A00056	STRIKE PLATE
124	WW02A00057	STRIKE PLATE
126	WW02L00040	GASKET FOAM
132	WW02L00039	SELLO
132	WW03F00354	SELLO
137	WW02F00248	DUCTO TRAMPA ENS (SIN SENSORES)
137	WW02F00598	DUCTO TRAMPA ENS (SIN SENSORES)
202	WW02L00053	PUERTA INTERIOR(BLANCA)
207	WW02L00051	PUERTA EXTERIOR

Guía	Refacción	Descripción
207	WW02L00051	PUERTA EXTERIOR
208	WW02L00016	JALADERA PUERTA(BCO)
213	WW02L00037	LATCH ASM.
220	WW02L00029	BISAGRA
220	WW02L00028	BISAGRA
236	WW02A00065	BOTON BELLEZA
401	WW02L00067	ENS. CUBIERTA SUP. PLASTICA
404	WW02L00149	PANEL LATERAL
404	WW02L00149	PANEL LATERAL
406	WW01F01344	ARNES ENSAMBLE ELECTRICO
408	WW02F00076	BASTIDOR BASE
409	WW02L00111	LOGO GE
416	WW02A00045	DELFECTOR DE CALOR
416	WW02A00045	DELFECTOR DE CALOR
417	WW02A00059	ENS. SOPORTE POST.
418	WW02L00108	ENS. SOPORTE FRONT.
420	WW01L01170	PANEL POSTERIOR
422	WW02F00022	CORD SET RETAINER
429	WW02F00172	TERMINAL BLOCK
430	WW02L00211	CUBIERTA TERMINAL FUSIBLE
453	WW02A00128	SOPORTE ANTI TENSION
453	WW01A00535	SOPORTE ANTI TENSION
501	WW01F01162	VENTILADOR REDONDO
502	WW02A00012	CARCAZA ASPAS
502	WW02L00013	CARCAZA ASPAS
502	WW02L00433	CAJA DEL VENTILADOR
503	WW01L01163	BASE MOTOR
503	WW01L01163	BASE MOTOR
503	WW01L01163	BASE MOTOR
503	WW02L00642	BASE MOTOR
504	WW02F00027	SOPORTE MOTOR
506	572D559P006T	CONDUCTO DE ESCAPE
510	WW01F00903	MOTOR Y POLEA ENS
514	WW02A00008	ENS. BRAZO AUXILIAR
514	WW03F00350	ENS. BRAZO AUXILIAR
520	WW02F00031	CLIP MOTOR
532	WW02F00003	CORREA MOTOR

Guía	Refacción	Descripción
532	WW02A00232	CORREA MOTOR
534	WW02A00026	EMPAQUE ESCAPE SOPLADOR
534	WW02F00785	EMPAQUE ESCAPE SOPLADOR
600	WW02F00056	ENS. TAMBOR
610	WW02F00028	BANDA SECADORA
610	WW02F00854	BANDA SECADORA
620	WW02L00143	BAFFLE
623	WW02F00049	ARNES
626	WW02F00221	DIFUSOR
626	WW02F00827	DIFUSOR
630	WW02A00019	SOPORTE Y FLECHA ENSAMBLE
635	WW02A00050	CALENTADOR ENSAMBLE
635	WW02A00050	CALENTADOR ENSAMBLE
635	WW02A00050	ENS. CALENTADOR
637	WW02A00005	RETENEDOR RODAMIENTO
640	WW01A00443	GROUND STRAP ASSEMBLY
640	WW02F00833	GROUND STRAP ASSEMBLY
707	WW01A00539	TORNILLO
1101	WW02A00030	TORNILLO
1101	WW02A00211	TORNILLO
1103	WW02A00032	TORNILLO
1110	WW02A00121	TORNILLO
1120	WW02A00031	TORNILLO
1121	WW01A00001	TORNILLO
1127	WW01A00521	TORNILLO
1127	WW02A00211	TORNILLO
1131	WW02A00028	TORNILLO
1157	WW01A00456	TORNILLO #10