

Distribuidor Autorizado

SurteRápido.com

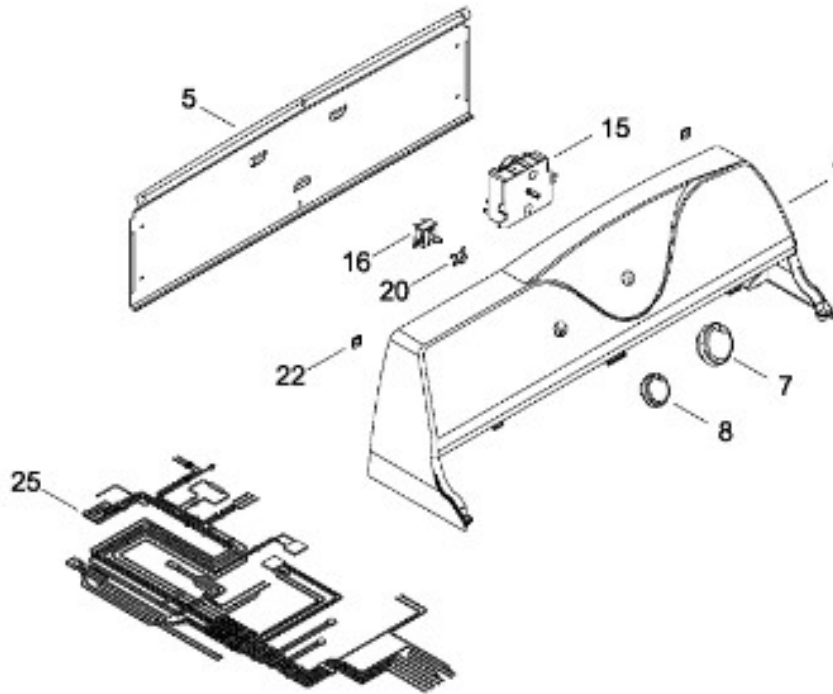
Venta de Refacciones
Electrodomesticas



SECADORA SGE1224PSWW0

SISTEMA CONTROLES

SGE1224PSWW0



Distribuidor Autorizado

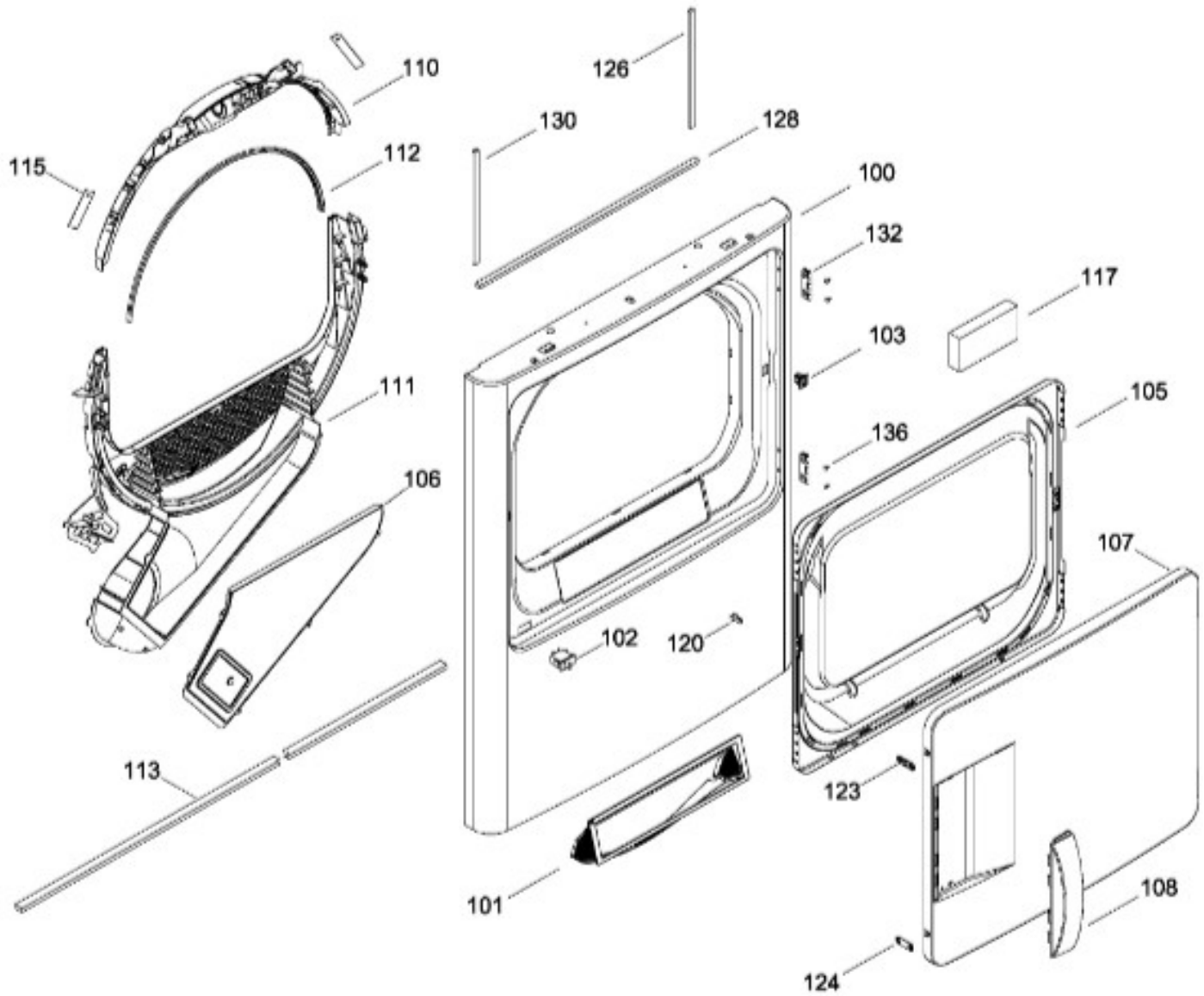
SurteRápido.com

Venta de Refacciones
Electrodomesticas

SECADORA SGE1224PSWW0

PUERTA (ENS)

SGE1224PSWW0



Distribuidor Autorizado

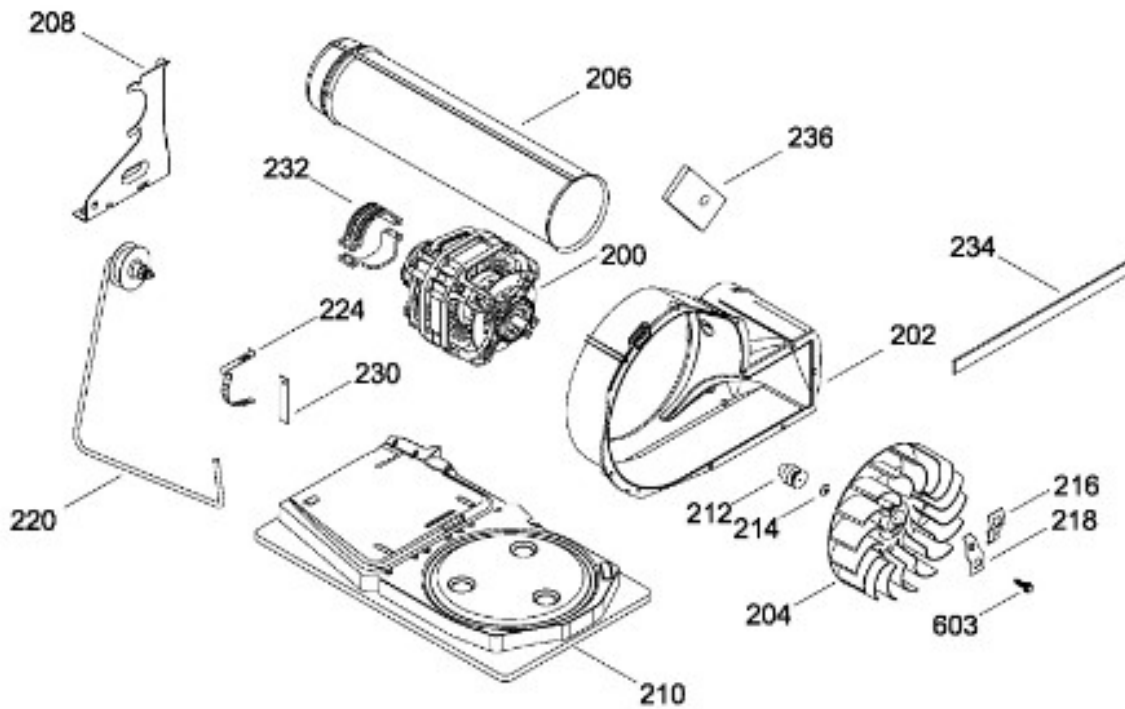
SurteRápido.com

Venta de Refacciones
Electrodomesticas

SECADORA SGE1224PSWW0

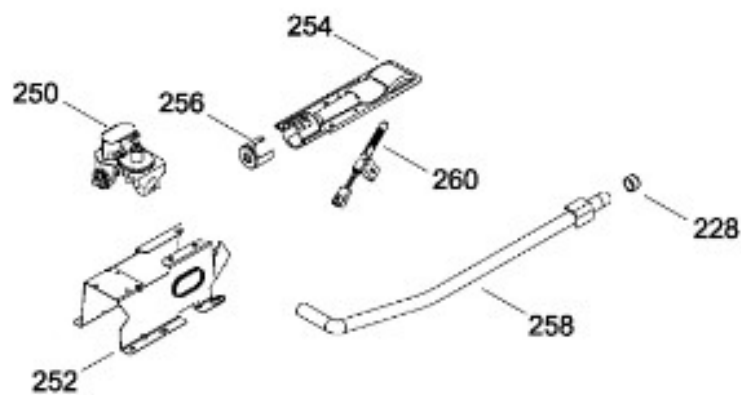
SISTEMA DE TRANSMISION / BLOWER & DRIVE ASSEMBLY

SGE1224PSWW0



QUEMADOR / BURNER

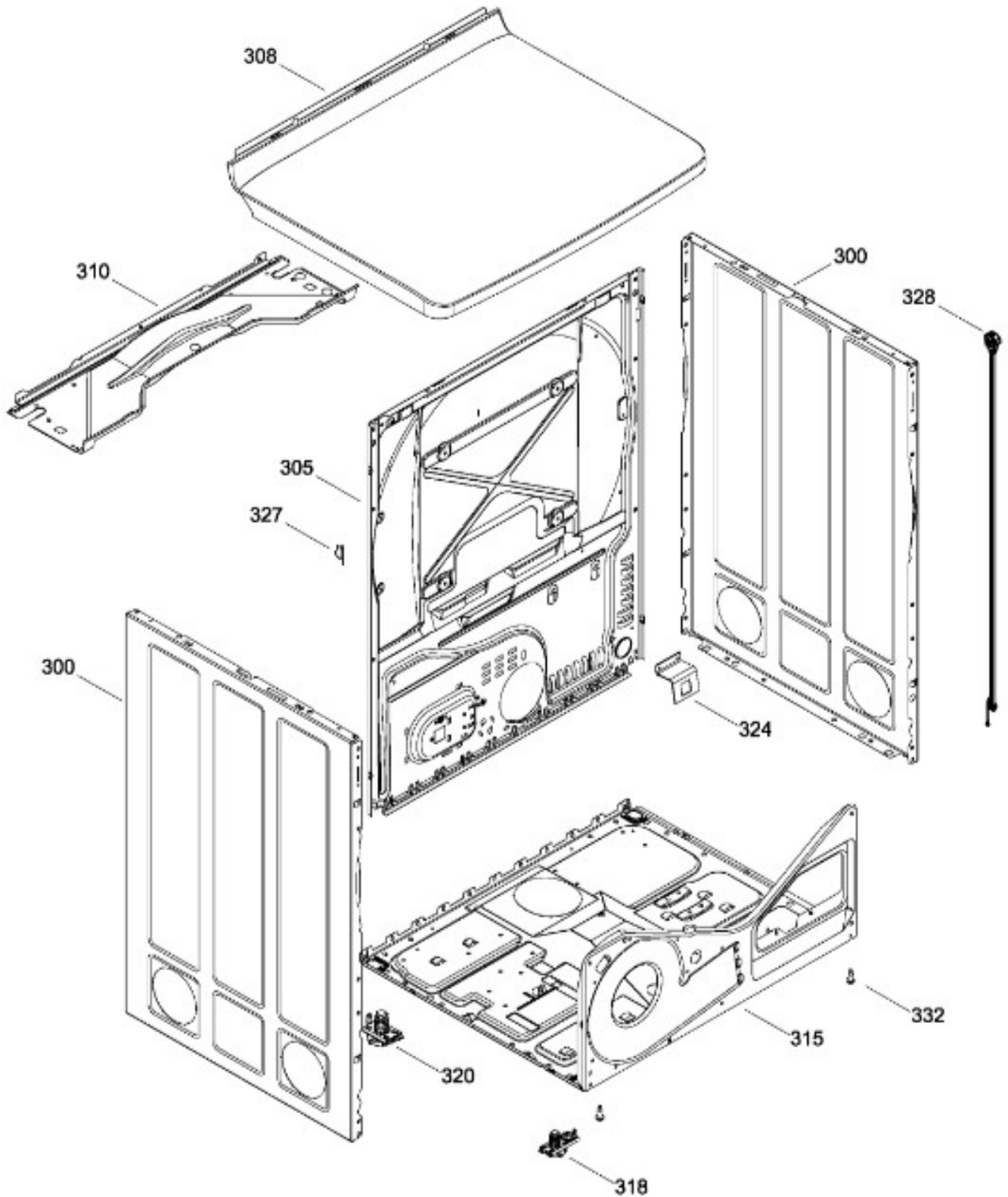
SEA1224PWW0



SECADORA SGE1224PSWW0

GABINETE

SGE1224PSWW0



Distribuidor Autorizado

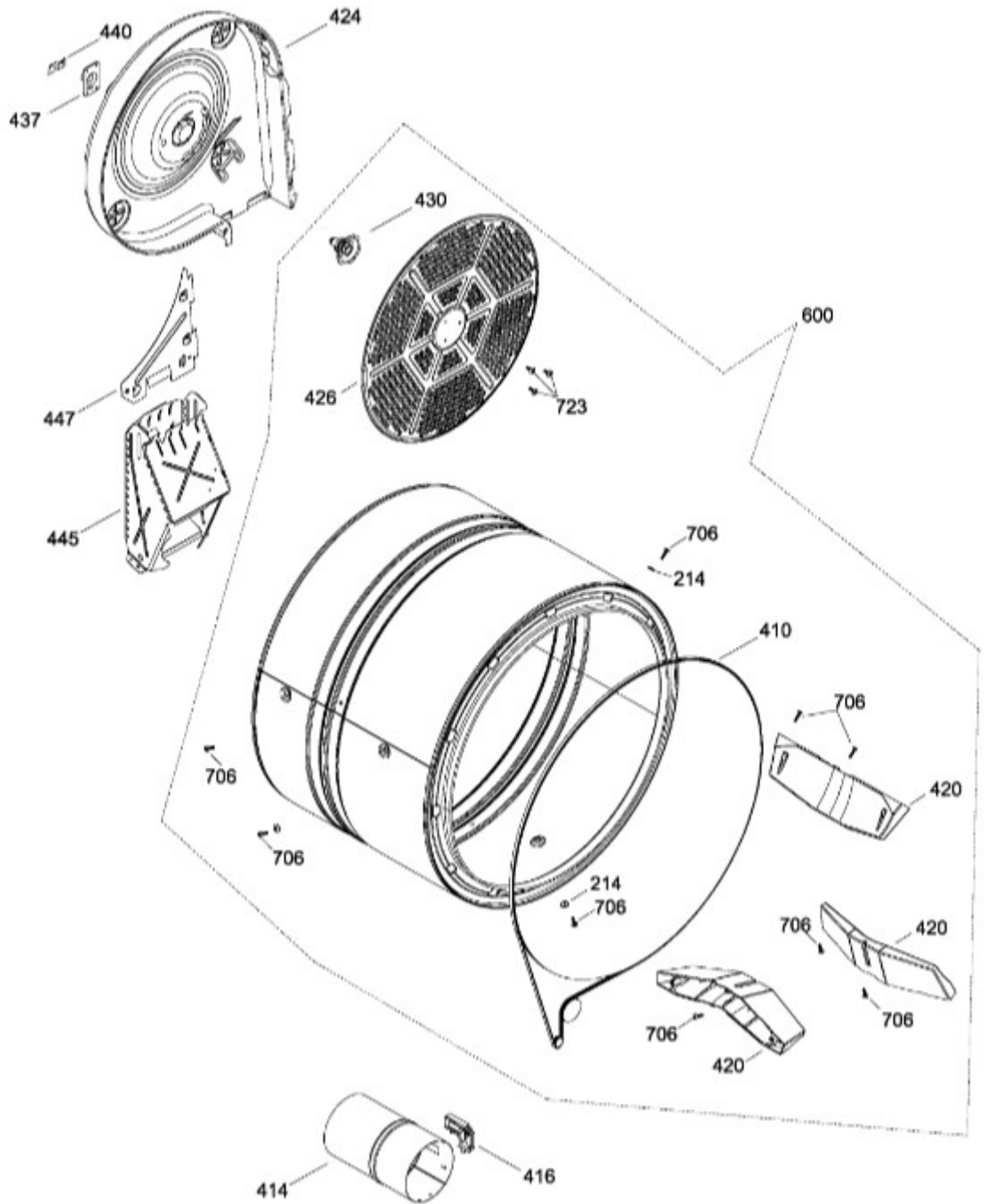
SurteRápido.com

Venta de Refacciones
Electrodomesticas

SECADORA SGE1224PSWW0

TAMBOR

SGE1224PSWW0



Distribuidor Autorizado

SurteRápido.com

Venta de Refacciones
Electrodomesticas



SECADORA SGE1224PSWW0

| Guía | Refacción | Descripción |
|------|--------------|--------------------------------|
| 1 | WW02L00064 | COPETE Y GRAFICOS ENSAMBLE |
| 5 | WW02L00043 | PANEL POST. |
| 5 | WW02L00152 | PANEL POST. |
| 7 | WW02L00044 | KNOB CONTROL ASSEMBLY WHITE (S |
| 7 | WW01L01318 | KNOB CONTROL ASSEMBLY WHITE (S |
| 8 | WW02L00045 | KNOB ROTARY ASSEMBLY WHITE (SP |
| 8 | WW01L01319 | KNOB ROTARY ASSEMBLY WHITE (SP |
| 15 | 212D1233P008 | RELOJ (SPLASH GAS) |
| 15 | WW02F00065 | RELOJ (SPLASH GAS) |
| 16 | WW02L00083 | INTERRUPTOR DE INICIO |
| 20 | WW02L00137 | BUJE PARA PEILLA |
| 22 | WW02A00062 | TUERCA |
| 25 | WW02F00041 | ARNES |
| 25 | WW02F00448 | ARNES |
| 100 | WW02L00049 | PANEL FRONTAL |
| 101 | WW03F00123 | FILTRO (BCO) |
| 101 | WW02F00190 | FILTRO (BCO) |
| 101 | WW02F00615 | FILTRO ATRAPAPELUSA |
| 102 | WW02L00025 | INTERRUPTOR PUERTA |
| 103 | WW02L00037 | LATCH ASM. |
| 105 | WW02L00053 | INNER DOOR |
| 106 | WW02L00061 | CUBIERTA DUCTO |
| 107 | WW02L00051 | PUERTA EXTERIOR |
| 107 | WW02L00051 | PUERTA EXTERIOR |
| 107 | WW02L00051 | PUERTA EXTERIOR |
| 108 | WW02L00016 | JALADERA PUERTA(BCO) |
| 110 | WW02F00010 | COJINETE SUP. |
| 110 | WW01L01430 | COJINETE SUP. |
| 111 | WW02F00178 | TRAMPA CONDUCTO |
| 111 | WW02L00103 | TRAMPA CONDUCTO |
| 111 | WW02F00600 | DUCTO |
| 112 | WW02L00145 | SELLO PUERTA |
| 113 | WW02L00139 | FIELTRO |
| 113 | WW02L00138 | FIELTRO |
| 115 | WW02A00033 | BEARING_SLIDE |

Distribuidor Autorizado

SurteRápido.com

Venta de Refacciones
Electrodomesticas



SECADORA SGE1224PSWW0

| Guía | Refacción | Descripción |
|------|-------------|-----------------------------|
| 117 | WW02A00025 | ESPACIADOR DE PUERTA SOLIDA |
| 120 | WW02A00004 | STRIKE |
| 123 | WW02A00056 | STRIKE PLATE |
| 124 | WW02A00057 | STRIKE PLATE |
| 126 | WW02L00039 | SELLO |
| 126 | WW03F00354 | SELLO |
| 128 | WW02L00041 | SELLO |
| 130 | WW02L00042 | SELLO |
| 132 | WW02L00029 | BISAGRA |
| 132 | WW02L00028 | BISAGRA |
| 136 | WW02A00065 | BOTON BELLEZA |
| 200 | WW02F00186 | ENS. MOTOR |
| 200 | WW02A00191 | ENS. MOTOR |
| 202 | WW02A00012 | CARCAZA ASPAS |
| 202 | WW02L00013 | CARCAZA ASPAS |
| 202 | WW02L00433 | CAJA DEL VENTILADOR |
| 204 | WW02A00073 | VENTILADOR REDONDO |
| 206 | 572D559P006 | CONDUCTO DE ESCAPE |
| 208 | WW02F00027 | SOPORTE MOTOR |
| 210 | WW02F00098 | PLATO MOTOR |
| 214 | WW02A00002 | ARANDELA |
| 216 | WW02A00038 | VENTILADOR |
| 216 | WW02A00040 | VENTILADOR |
| 218 | WW02A00039 | VENTILADOR |
| 218 | WW02A00041 | VENTILADOR |
| 220 | WW02A00008 | ENS. BRAZO AUXILIAR |
| 220 | WW03F00350 | ENS. BRAZO AUXILIAR |
| 224 | WW02F00031 | CLIP MOTOR |
| 228 | WW02A00003 | TAPA |
| 230 | WW02L00033 | ESPACIADOR ESPUMADO |
| 232 | WW02F00003 | CORREA MOTOR |
| 232 | WW02A00232 | CORREA MOTOR |
| 234 | WW02A00026 | EMPAQUE ESCAPE SOPLADOR |
| 234 | WW02F00785 | EMPAQUE ESCAPE SOPLADOR |
| 236 | WW02L00038 | BEARING_SLIDE |

Distribuidor Autorizado

SurteRápido.com

Venta de Refacciones
Electrodomesticas



SECADORA SGE1224PSWW0

| Guía | Refacción | Descripción |
|------|------------|---------------------------|
| 250 | WW02F00096 | VALVUAL DE GAS ENS. |
| 252 | WW02F00077 | GAS VALVE BRACKET |
| 252 | WW03A00125 | GAS VALVE BRACKET |
| 254 | WW02A00020 | QUEMADORES |
| 256 | WW02L00140 | AIRADOR |
| 258 | WW02A00058 | PIPE & LUG ASM. |
| 258 | WW03F00137 | PIPE & LUG ASM. |
| 260 | WW02F00002 | ALLUME-GAZ |
| 260 | WW02F00740 | ALLUME-GAZ |
| 260 | WW01F01432 | ENCENDEDOR INCANDESCENTE |
| 300 | WW02L00206 | LATERAL ESTUFA |
| 305 | WW02L00144 | PANEL POST. |
| 308 | WW02L00072 | ENS. CUBIERTA REFUERZO |
| 308 | WW02L00165 | ENS. CUBIERTA REFUERZO |
| 310 | WW02L00087 | CUBIERTA INF. |
| 315 | WW02F00076 | BASTIDOR BASE |
| 318 | WW02L00108 | ENS. SOPORTE FRONT. |
| 320 | WW02A00059 | ENS. SOPORTE POST. |
| 324 | WW02A00037 | BRIDE |
| 327 | WW02F00022 | CORD SET RETAINER |
| 328 | WW02F00091 | CABLE TOMACORRIENTE |
| 332 | WW02L00142 | PATA ESTABILIZADORA ENS. |
| 410 | WW02F00028 | BANDA SECADORA |
| 410 | WW02F00854 | BANDA SECADORA |
| 414 | WW02F00093 | COMBUSTION CHAMBER |
| 414 | WW02F00260 | COMBUSTION CHAMBER |
| 416 | WW02F00001 | DETECTOR TERMOSTATO |
| 420 | WW02L00143 | BAFFLE |
| 424 | WW02L00014 | DIFUSOR GAS |
| 424 | WW03F00095 | DIFUSOR GAS |
| 426 | WW02F00030 | DIFUSOR |
| 430 | WW02A00019 | SOPORTE Y FLECHA ENSAMBLE |
| 437 | WW02A00005 | RETENEDOR RODAMIENTO |
| 440 | WW02F00026 | GROUND STRAP ASM. |
| 440 | WW01A00443 | GROUND STRAP ASM. |

Distribuidor Autorizado

SurteRápido.com

Venta de Refacciones
Electrodomesticas



SECADORA SGE1224PSWW0

| Guía | Refacción | Descripción |
|------|------------|-----------------------|
| 440 | WW02F00833 | GROUND STRAP ASSEMBLY |
| 445 | WW02F00097 | DUCTO DE TRANSICION |
| 447 | WW02F00029 | DIFUSER PLATE |
| 600 | WW02F00056 | ENS. TAMBOR |
| 603 | WW02A00071 | TORNILLO |
| 706 | WW02A00031 | TORNILLO |
| 723 | WW01A00456 | TORNILLO #10 |