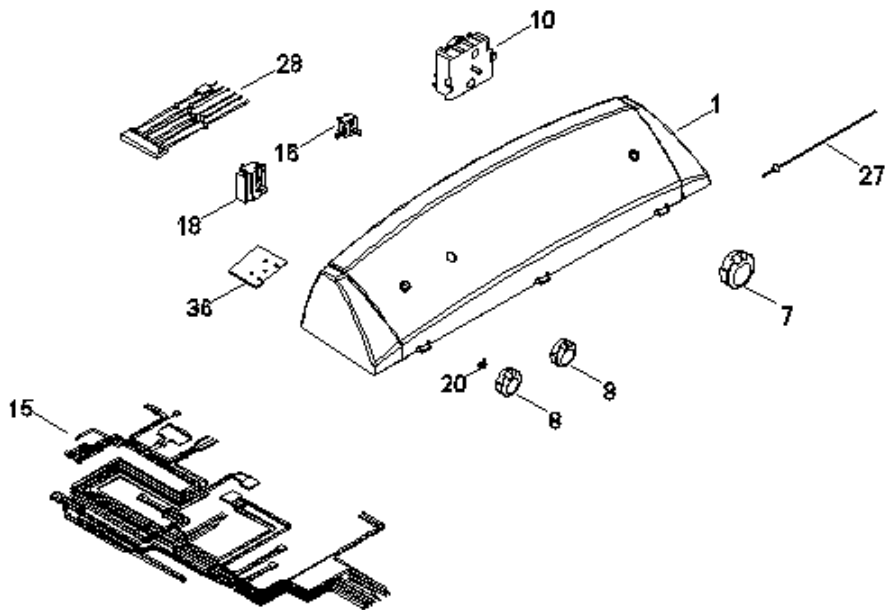
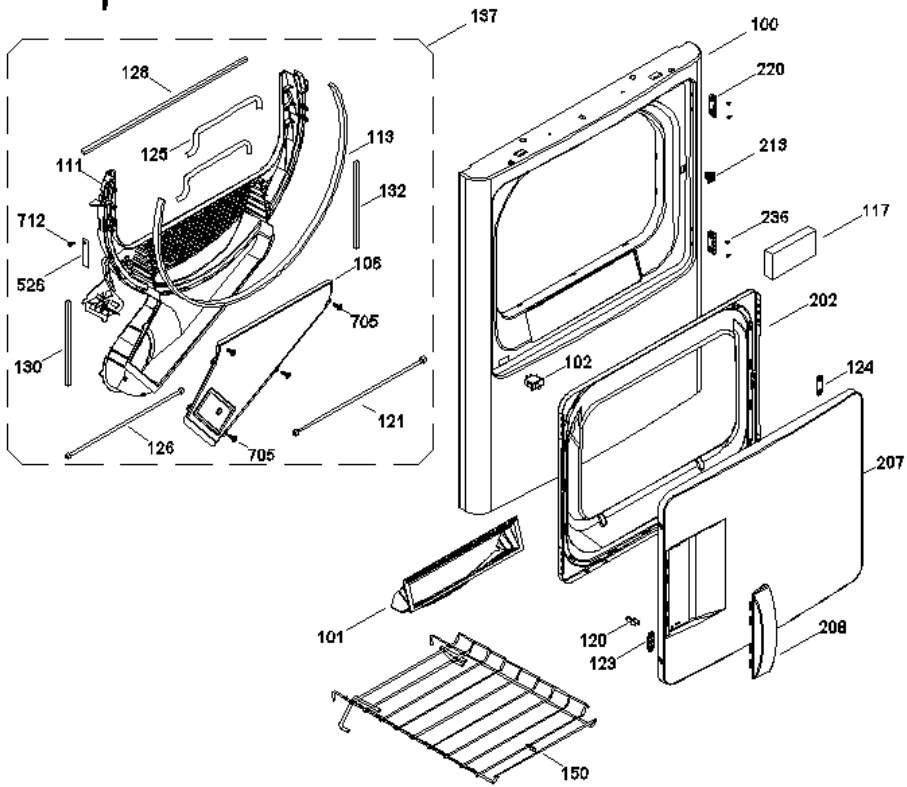
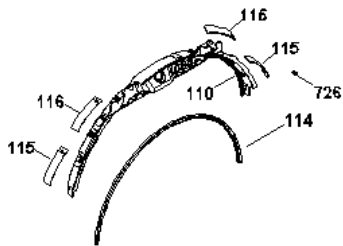


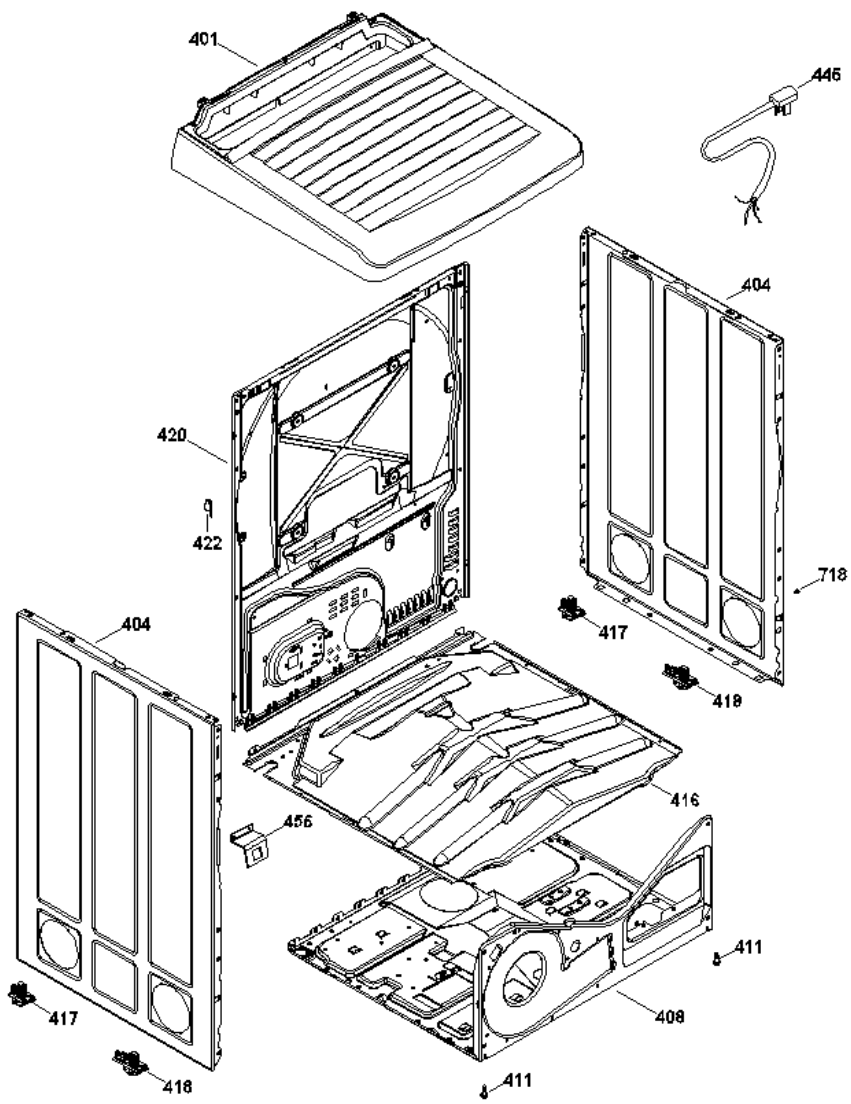
**SGE1531PMSBB0**



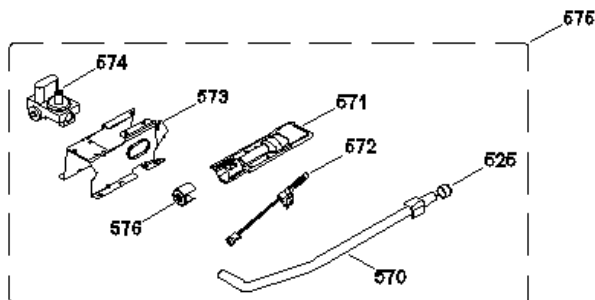
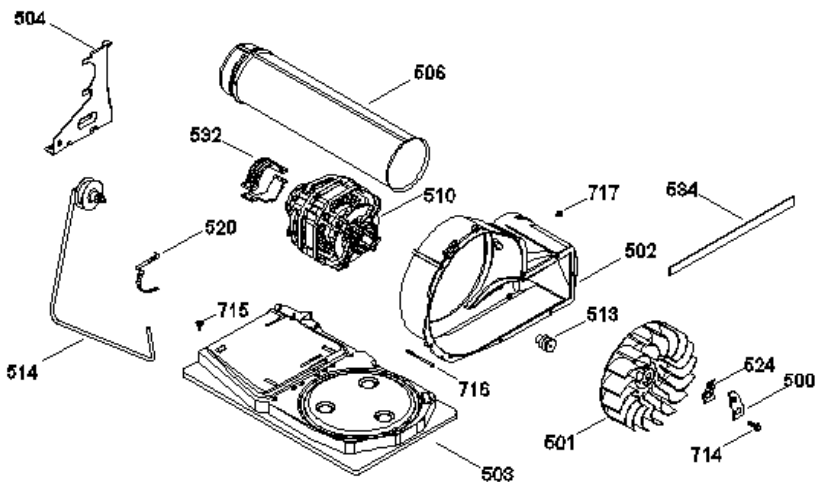
**SGE1531PMSBB0**



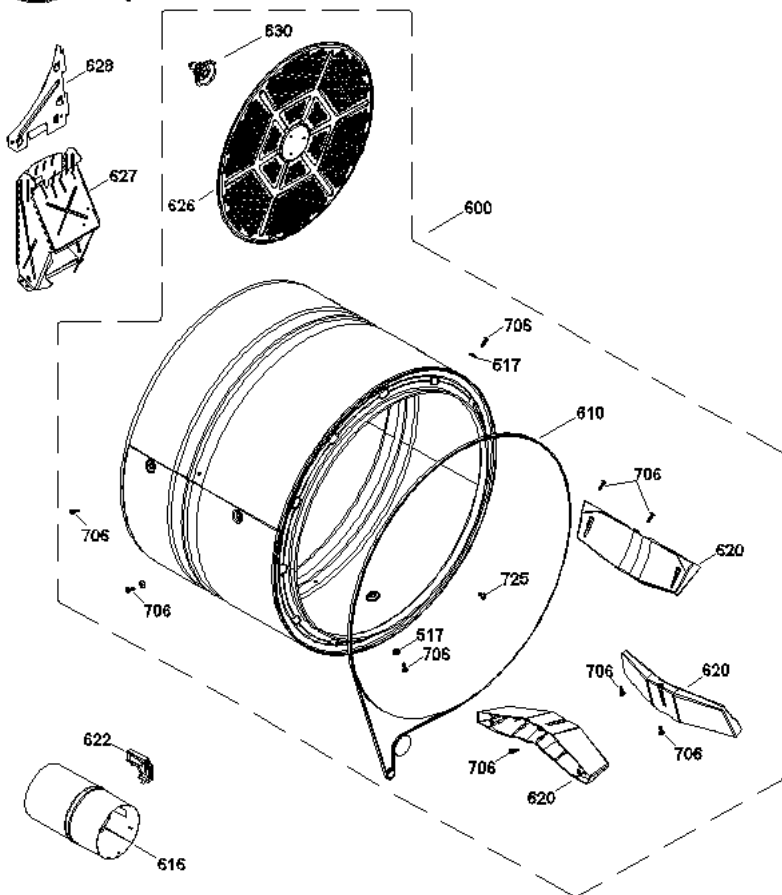
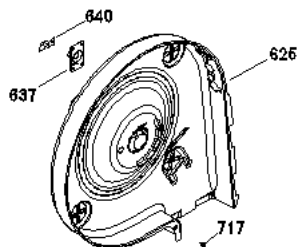
**SGE1531PMSBB0**



**SGE1531PMSBB0**



**SGE1531PMSBB0**





**SGE1531PMSBB0**

1	189D7152G004	COPETE Y GRAFICOS ENSAMBLE
7	323B2544G009	PERILLA CONTROL ENSAMBLE
8	323B2545G009	PERILLA ROTATORIA ENSAMBLE
10	212D1233P012	RELOJ (IGUAZU 7 CU.FT)
15	189D7015G006	ARNES ENSAMBLE
16	212D1094P004	INTERRUPTOR ROTATORIO ARRANQUE
18	212D1097P002	INTERRUPTOR ROTATORIO
20	323B2623P001	BUJE PERILLA
27	189D7018G004	ARNES PANEL CONTROL
28	189D7017G003	ARNES PBC
36	559C213G004	TARJETA PC
100	189D5117P002	PANEL FRONTAL (BCO)
101	212D1090G001	FILTRO ENSAMBLE
102	248C1157P001	INTERRUPTOR DE PUERTA
106	189D5242P001	CUBIERTA COLECTOR AIRE
110	212D1677P001	COJINETE SUPERIOR
111	212D1060P001	COLECTOR AIRE
113	540B264P004	FILTRO COLECTOR AIRE
114	572D359P002	SELLO PUERTA
115	540B387P001	COJINETE DESLIZABLE(BCO)
116	540B387P002	COJINETE DESLIZABLE(VERDE)
117	323B4001P001	ESPACIADOR DE PUERTA
120	143B9304P001	SEGURO PUERTA
121	212D1080G084	CABLES
123	248C1028P001	GUIA
124	248C1028P002	GUIA
125	540B266P001	SENSORES
126	212D1080G100	CABLES
128	136B9174P204	SELLO ESPUMA
130	136B9174P205	SELLO ESPUMA
132	136B9174P194	SELLO ESPUMA
137	189D7054G003	DUCTO TRAMPA ENS(CON SENSORES)
150	212D1411G002	PARRILLA DE SECADO

202	189D5223P004	PUERTA INTERIOR(BLANCA)
207	189D5118P002	PUERTA EXTERIOR
208	228C2419P001	JALADERA PUERTA(BCO)
213	364B6004G001	CERROJO ENSAMBLE
220	267A3218P012	BISAGRA PUERTA
236	323B4040P001	BOTON BELLEZA(BCO)
401	189D7060P001	CUBIERTA
404	189D7020P002	LATERAL(BCO)
408	212D1535P004	BASTIDOR BASE
411	540B364G001	PATA ESTABILIZADORA ENSAMBLE
416	189D5244P001	DEFLECTOR DE CALOR
417	248C1143G001	SOPORTE POSTERIOR ENSAMBLE
418	248C1144G001	SOPORTE DELANTERO ENSAMBLE
420	572D226P013	PANEL POSTERIOR (6 PIES)
422	267A3165P001	SUJETADOR CABLE
445	559C210P007	CORDON TOMACORRIENTE
456	141A5987P002	ABRAZADERA TUBO DE GAS
500	141A6643P003	ABRAZADERA VENTILADOR
501	572D445P003	VENTILADOR REDONDO
502	212D1503P003	CAJA VENTILADOR
503	572D667P007	PLATO MOTOR
504	559C001P006	SOPORTE MOTOR
506	572D559P006	CONDUCTO DE ESCAPE
510	212D1613G001	MOTOR ENSAMBLE
514	189D7031G001	BRAZO TENSOR Y POLEA ENS
517	102A3143P120	RONDANA PLANA
520	717B299P001	CLIP MOTOR
524	141A6643P004	ABRAZADERA VENTILADOR
525	102A3160P174	TAPON PARA TUBO
526	323B2599P001	ESPACIADOR ESPUMADO
532	123C7934P001	SOPORTE DE MOTOR
534	364B7029P001	EMPAQUE ESCAPE SOPLADOR
570	248C1045G001	TUBO DE GAS ENSAMBLE
571	248C1176G001	QUEMADOR DE GAS ENS
572	123C7632G001	IGNITOR ENSAMBLE
573	212D1549P001	SOPORTE VALVULA DE GAS
574	572D366G004	VALVUAL DE GAS ENSAMBLE
575	228C4003G003	VALVULA Y QUEMADOR ENSAMBLE

576	540B336P001	AIRADOR
600	189D7026G001	TAMBOR ENSAMBLE
610	559C197P005	BANDA SECADORA
616	559C232P005	TUBO DE COMBUSTION
620	572D223P004	BAFFLE
622	109B8868G001	TERMOSTATO DETECTOR
625	212D1629P001	DIFUSOR DE GAS
626	572D388P002	DIFUSOR
627	572D429P003	DUCTO DE TRANSICION
628	559C211P001	PLACA DIFUSORA
630	248C1156G001C	SOPORTE Y FLECHA ENSAMBLE
637	161B3251P004	SUJETADOR COJINETE
640	364B6031G001	SOPORTE TIERRA ENSAMBLE
705	540B004P062	TORNILLO-CUBIERTA-TRAP DUCT
706	540B006P033	TORNILLO #10 (BAFFLE)
712	540B006P001	TORNILLO
714	540B008P007	TORNILLO VENTILADOR
715	540B006P032	TORNILLO
716	540B006P046	TORNILLO
717	540B006P020	TORNILLO
718	109B3403P052	TORN 8-18 D HXW 3/8 S (TIERRA)
725	540B000P004	TORNILLO
726	540B004P002	TORNILLO