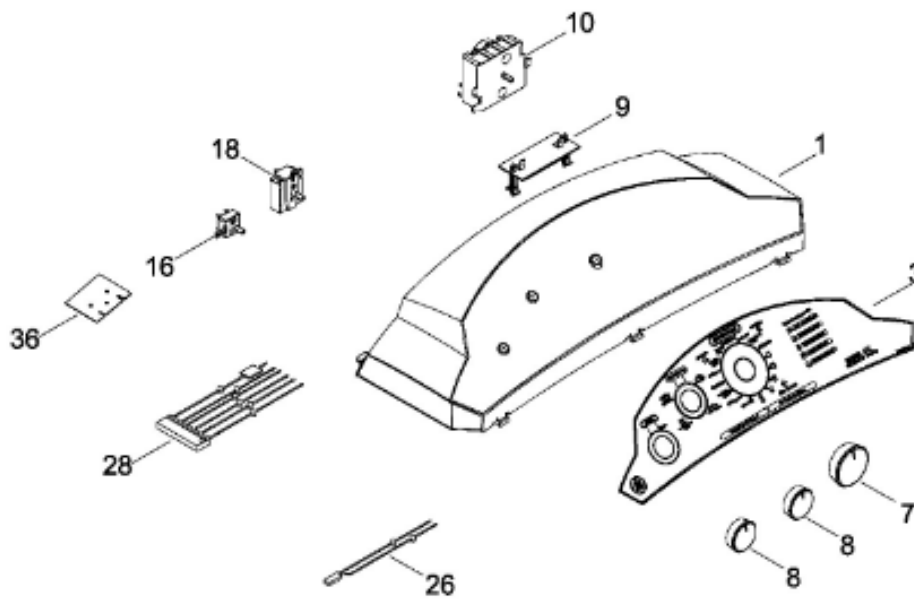


# SECADORA SGI1535JPGG0

SISTEMA CONTROLES / CONTROL SYSTEM

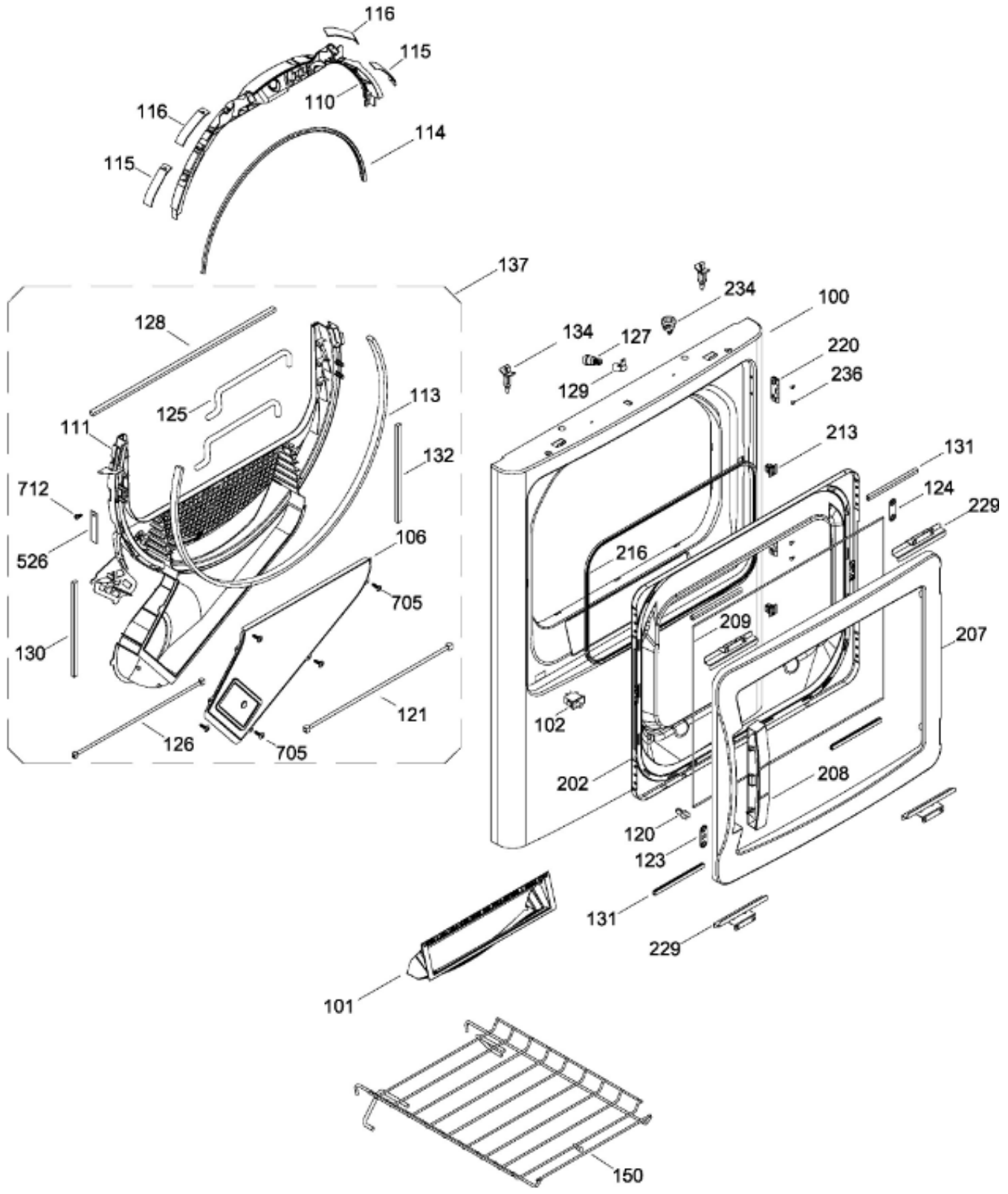
SGI1535JPGG0



# SECADORA SGI1535JPGG0

PUERTA (ENS) / DOOR (ASM)

SGI1535JPGG0



Distribuidor Autorizado

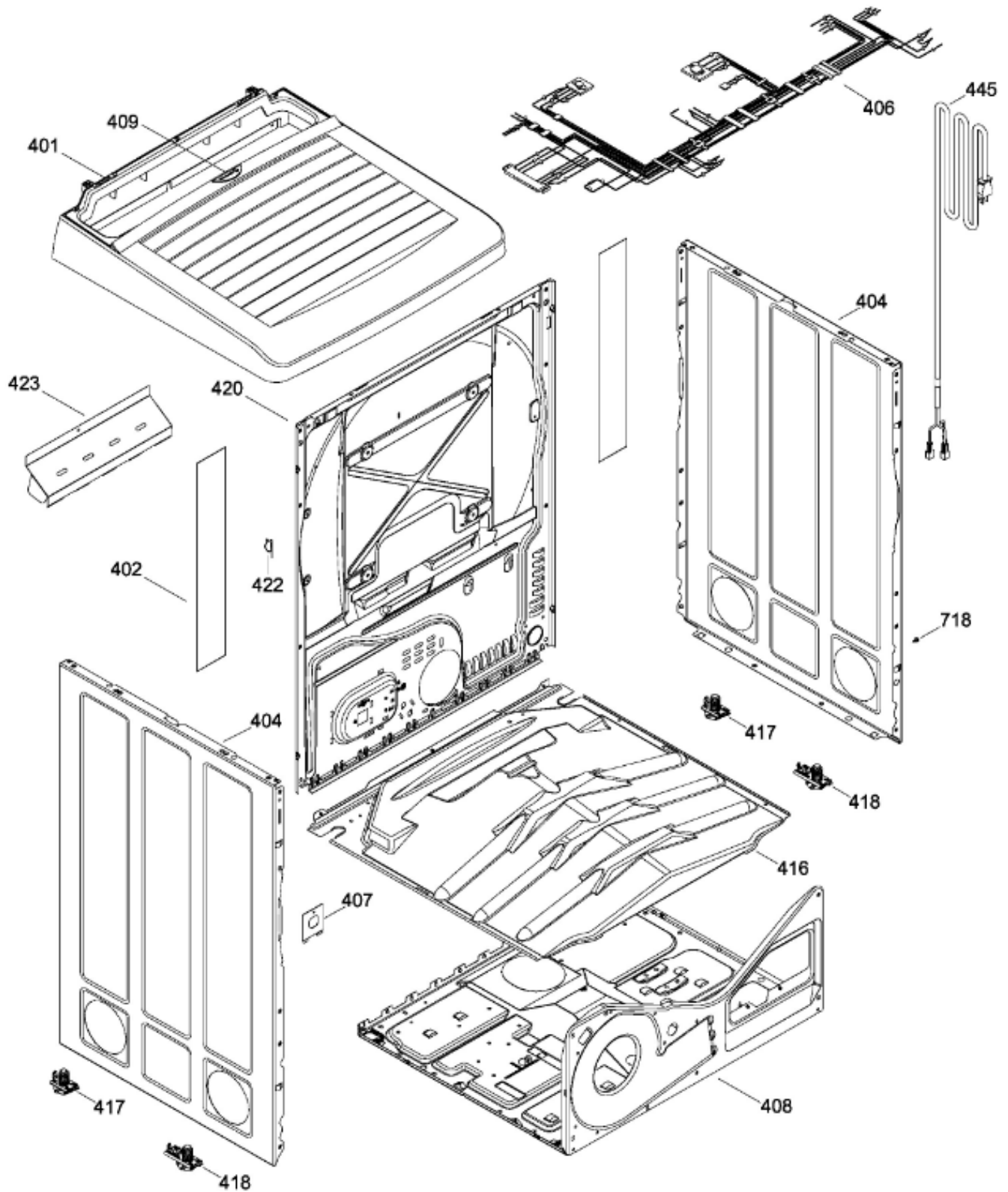
SurteRápido.com

Venta de Refacciones  
Electrodomesticas

# SECADORA SGI1535JPGG0

GABINETE / STRUCTURE

SGI1535JPGG0



Distribuidor Autorizado

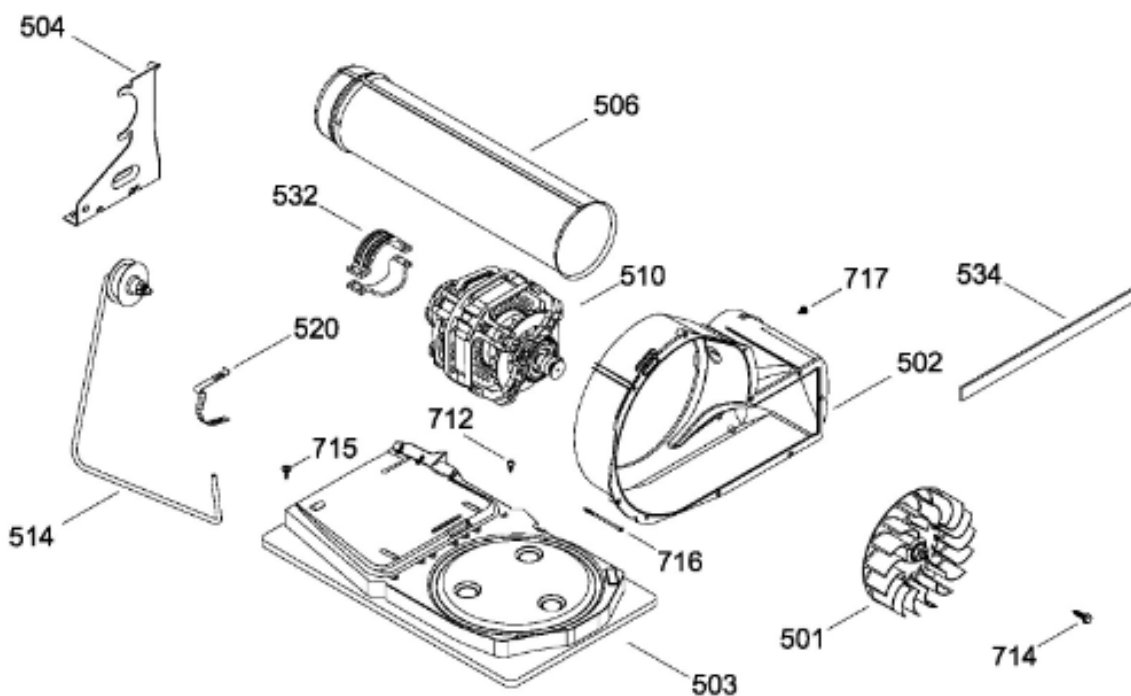
SurteRápido.com

Venta de Refacciones  
Electrodomesticas

# SECADORA SGI1535JPGG0

SISTEMA DE TRANSMISION / BLOWER & DRIVE ASSEMBLY

SGI1535JPGG0



Distribuidor Autorizado

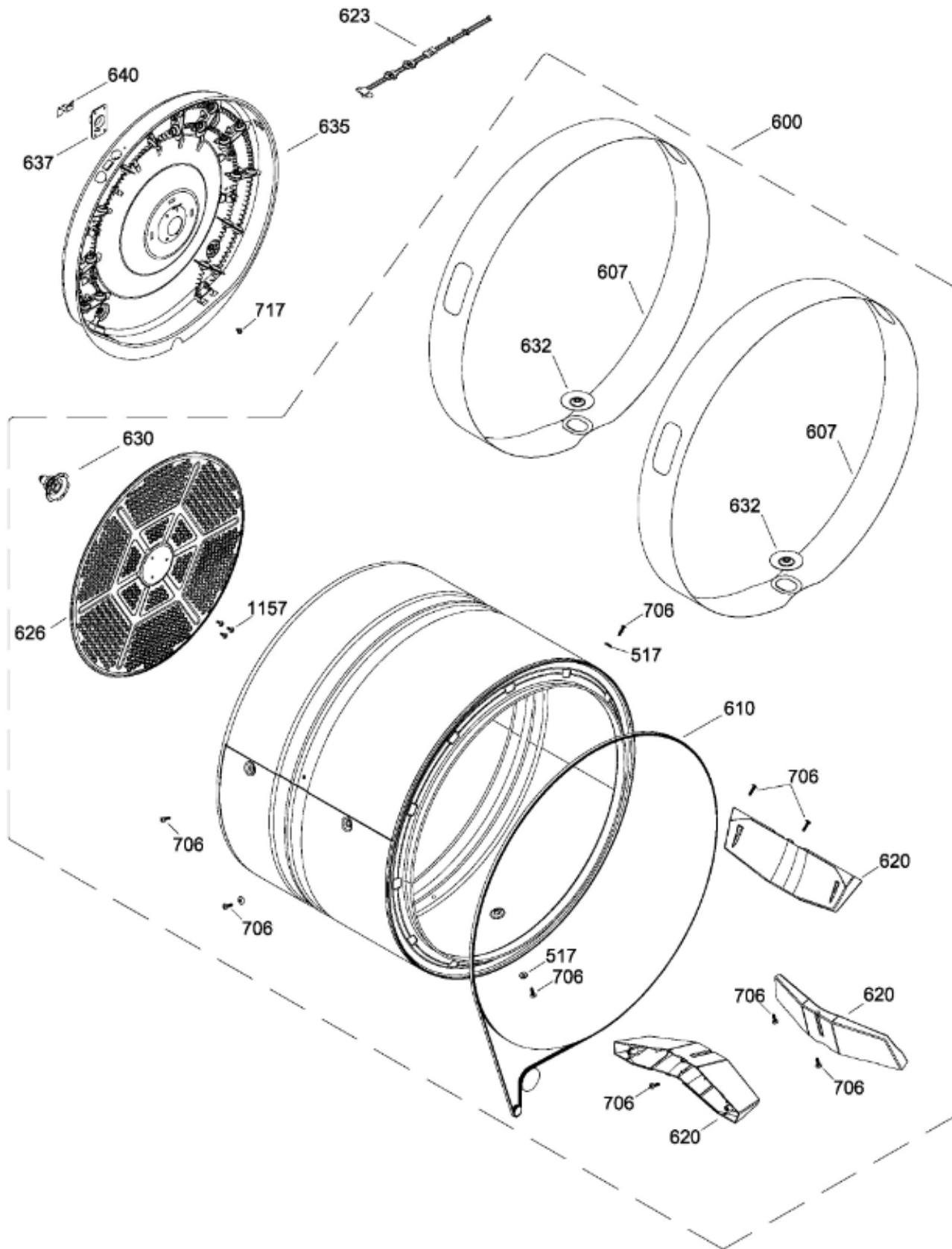
SurteRápido.com

Venta de Refacciones  
Electrodomesticas

# SECADORA SGI1535JPGG0

TAMBOR (ENS) / DRUM (ASM)

SGI1535JPGG0



Distribuidor Autorizado

**SurteRápido.com**

Venta de Refacciones  
Electrodomesticas



# SECADORA SGI1535JPGG0

| Guía | Refacción    | Descripción                   |
|------|--------------|-------------------------------|
| 1    | WW02L00060   | COPETE                        |
| 3    | 189D7007P004 | MASCARILLA                    |
| 7    | WW02L00124   | ENS. PERILLA CONTROL          |
| 8    | WW02L00122   | ENS. PERILLA ROTATORIA        |
| 9    | WW02F00090   | RESISTENCIA ENS.              |
| 10   | 212D1233P020 | RELOJ                         |
| 16   | WW02L00083   | INTERRUPTOR DE INICIO         |
| 18   | WW02L00084   | INTERRUPTOR ROTATORIO         |
| 26   | WW02A00048   | JUMPER                        |
| 28   | WW02A00047   | CIRCUITO IMPRESO              |
| 36   | WW02F00092   | TARJETA PC                    |
| 100  | WW03L00098   | PANEL FRONTAL PUERTA(GRAFITO) |
| 100  | WW03L00098   | PANEL FRONTAL PUERTA(GRAFITO) |
| 101  | WW02L00080   | ENS. FILTRO MALLA             |
| 101  | WW02F00616   | ENS. FILTRO MALLA             |
| 102  | WW02L00025   | INTERRUPTOR PUERTA            |
| 106  | WW02L00061   | CUBIERTA DUCTO                |
| 110  | WW02F00010   | COJINETE SUP.                 |
| 110  | WW01L01430   | COJINETE SUP.                 |
| 111  | WW02F00178   | TRAMPA CONDUCTO               |
| 111  | WW02L00103   | TRAMPA CONDUCTO               |
| 111  | WW02F00600   | DUCTO                         |
| 113  | WW02L00139   | FIELTRO                       |
| 113  | WW02L00138   | FIELTRO                       |
| 114  | WW02L00145   | SELLO PUERTA                  |
| 115  | WW02A00033   | BEARING_SLIDE                 |
| 116  | WW02L00038   | BEARING_SLIDE                 |
| 120  | WW02A00004   | STRIKE                        |
| 121  | WW02A00051   | ARNES                         |
| 123  | WW02A00056   | STRIKE PLATE                  |
| 124  | WW02A00057   | STRIKE PLATE                  |
| 125  | WW02F00088   | SENSOR ROD                    |
| 126  | WW02A00052   | ARNES                         |
| 127  | WW02A00067   | LAMP                          |
| 127  | WW03F00458   | LAMP                          |

Distribuidor Autorizado

**SurteRápido.com**

Venta de Refacciones  
Electrodomesticas

# SECADORA SGI1535JPGG0

| Guía | Refacción    | Descripción                   |
|------|--------------|-------------------------------|
| 128  | WW02L00041   | SELLO                         |
| 129  | WW02L00104   | ENS. CLAVIJA                  |
| 129  | WW01F01584   | ENS. CLAVIJA                  |
| 130  | WW02L00042   | SELLO                         |
| 131  | WW02L00102   | RETAINER GASKET               |
| 132  | WW02L00039   | SELLO                         |
| 132  | WW03F00354   | SELLO                         |
| 134  | WW02A00035   | SOPORTE BLOQUEO               |
| 137  | WW02F00128   | DUCTO TRAMPA ENS CON SENSORES |
| 137  | WW02F00599   | DUCTO TRAMPA ENS CON SENSORES |
| 150  | WW02L00088   | SHOE RACK                     |
| 150  | WW02L00190   | SHOE RACK                     |
| 202  | WW02L00054   | INNER DOOR                    |
| 202  | WW02L00054   | INNER DOOR                    |
| 202  | WW02L00054   | PUERTA INTERIOR               |
| 207  | WW02F00033   | ANILLO EXT.                   |
| 207  | WW01L01492   | ANILLO EXT.                   |
| 208  | WW02L00057   | JALADERA                      |
| 208  | WW01L01494   | JALADERA                      |
| 209  | WW02L00058   | PANEL VIDRIO                  |
| 213  | WW02L00037   | LATCH ASM.                    |
| 216  | WW02L00062   | SELLO VENTANA                 |
| 220  | WW02L00029   | BISAGRA                       |
| 220  | WW02L00028   | BISAGRA                       |
| 229  | WW02L00101   | SOPORTE VIDRIO                |
| 229  | WW02L00101   | SOPORTE VIDRIO                |
| 229  | WW02L00101   | SOPORTE VIDRIO                |
| 234  | WW02A00036   | LIBERADOR TENS.IONES          |
| 236  | WW02A00066   | BOTON BELLEZA                 |
| 401  | WW02L00066   | ENS. CUBIERTA SUP. PLASTICA   |
| 402  | WW02L00147   | DAMPENING PLATE               |
| 404  | 212D1615P005 | PANEL LATERAL(GRAFITO)        |
| 406  | WW02F00059   | ENS. ARNES ELEC.              |
| 407  | WW02L00141   | CUBIERTA                      |
| 408  | WW02F00076   | BASTIDOR BASE                 |

Distribuidor Autorizado

**SurteRápido.com**

Venta de Refacciones  
Electrodomesticas

# SECADORA SGI1535JPGG0

| Guía | Refacción   | Descripción               |
|------|-------------|---------------------------|
| 409  | WW01L00369  | LOGO ID SYSTEM            |
| 416  | WW02A00045  | DEFLECTOR                 |
| 416  | WW02A00045  | DEFLECTOR                 |
| 416  | WW02A00045  | DEFLECTOR DE CALOR        |
| 417  | WW02A00059  | ENS. SOPORTE POST.        |
| 418  | WW02L00108  | ENS. SOPORTE FRONT.       |
| 420  | WW02L00146  | PANEL POST.               |
| 422  | WW02F00022  | CORD SET RETAINER         |
| 423  | WW02L00107  | ESCUDO CALOR POST.        |
| 445  | WW02F00124  | CORDON TOMACORRIENTE      |
| 501  | WW02A00011  | SOPLADOR PUERTA           |
| 501  | WW01F01162  | SOPLADOR PUERTA           |
| 502  | WW02A00012  | CARCAZA ASPAS             |
| 502  | WW02L00013  | CARCAZA ASPAS             |
| 503  | WW02F00098  | PLATO MOTOR               |
| 504  | WW02F00027  | SOPORTE MOTOR             |
| 506  | 572D559P006 | CONDUCTO DE ESCAPE        |
| 510  | WW01F01138  | ENSAMBLE POLEA Y MOTOR    |
| 514  | WW02A00008  | ENS. BRAZO AUXILIAR       |
| 514  | WW03F00350  | ENS. BRAZO AUXILIAR       |
| 517  | WW02A00002  | ARANDELA                  |
| 520  | WW02F00031  | CLIP MOTOR                |
| 526  | WW02L00033  | ESPACIADOR ESPUMADO       |
| 532  | WW02F00003  | CORREA MOTOR              |
| 532  | WW02A00232  | CORREA MOTOR              |
| 534  | WW02A00026  | EMPAQUE ESCAPE SOPLADOR   |
| 534  | WW02F00785  | EMPAQUE ESCAPE SOPLADOR   |
| 600  | WW02F00057  | ENS. TAMBOR               |
| 607  | WW02L00098  | BANDA TAMBOR              |
| 610  | WW02F00028  | BANDA SECADORA            |
| 610  | WW02F00854  | BANDA SECADORA            |
| 620  | WW02L00143  | BAFFLE                    |
| 623  | WW02F00049  | ARNES                     |
| 626  | WW02F00030  | DIFUSOR                   |
| 630  | WW02A00019  | SOPORTE Y FLECHA ENSAMBLE |



Distribuidor Autorizado

**SurteRápido.com**

Venta de Refacciones  
Electrodomesticas



## SECADORA SGI1535JPGG0

| Guía | Refacción  | Descripción           |
|------|------------|-----------------------|
| 632  | WW02A00072 | RONDANDA BANDA        |
| 635  | WW02A00050 | ENS. CALENTADOR       |
| 635  | WW02A00050 | ENS. CALENTADOR       |
| 635  | WW02A00050 | CALENTADOR ENSAMBLE   |
| 635  | WW02A00050 | ENS. CALENTADOR       |
| 637  | WW02A00005 | RETENEDOR RODAMIENTO  |
| 640  | WW02F00026 | GROUND STRAP ASM.     |
| 640  | WW01A00443 | GROUND STRAP ASM.     |
| 640  | WW02F00833 | GROUND STRAP ASSEMBLY |
| 705  | WW02A00028 | TORNILLO              |
| 706  | WW02A00031 | TORNILLO              |
| 712  | WW02A00029 | TORNILLO              |
| 712  | WW02A00211 | TORNILLO              |
| 714  | WW02A00071 | TORNILLO              |
| 715  | WW02A00070 | TORNILLO              |
| 716  | WW02A00032 | TORNILLO              |
| 717  | WW02A00030 | TORNILLO              |
| 717  | WW02A00211 | TORNILLO              |
| 718  | WW01A00001 | TORNILLO              |