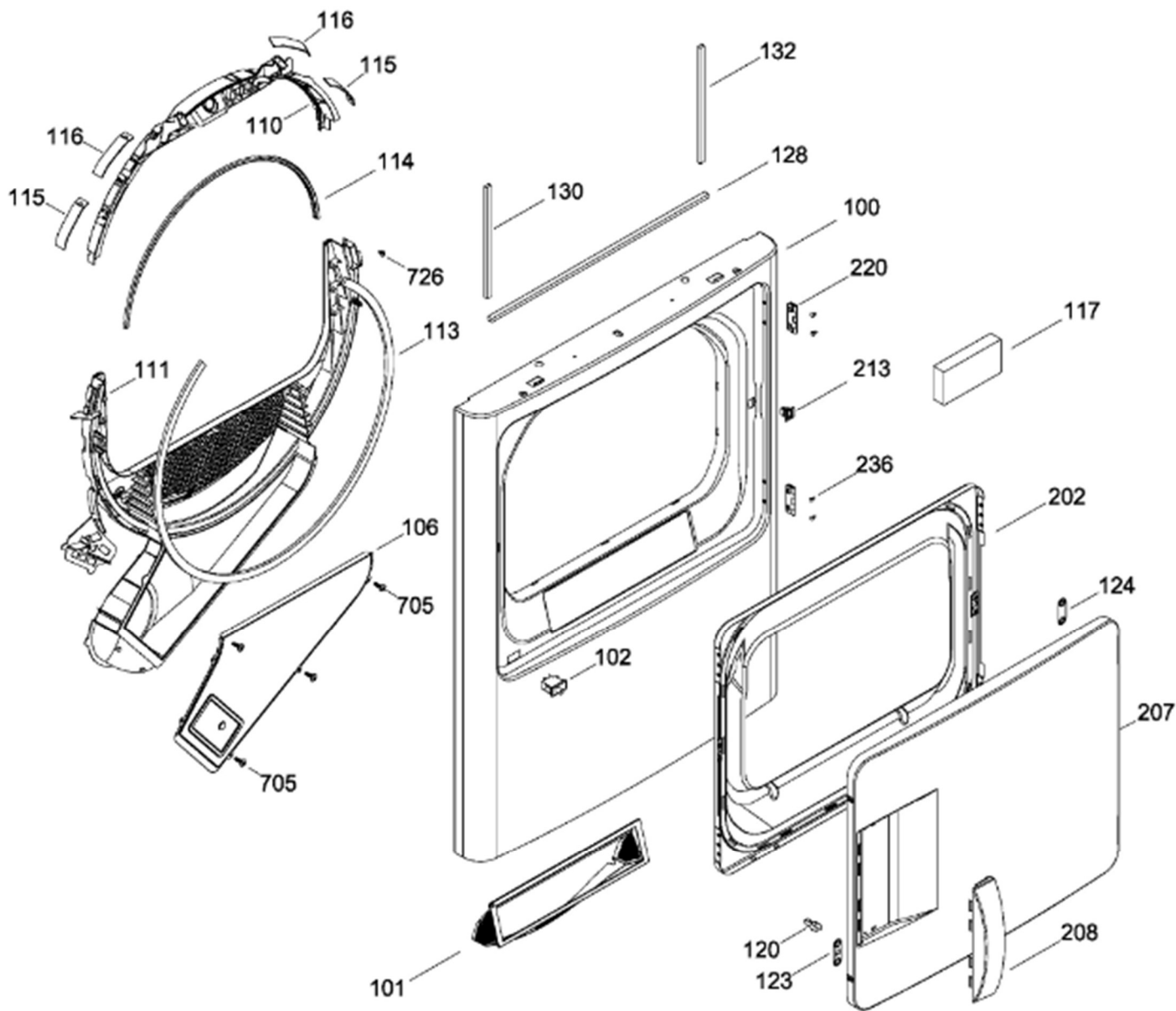


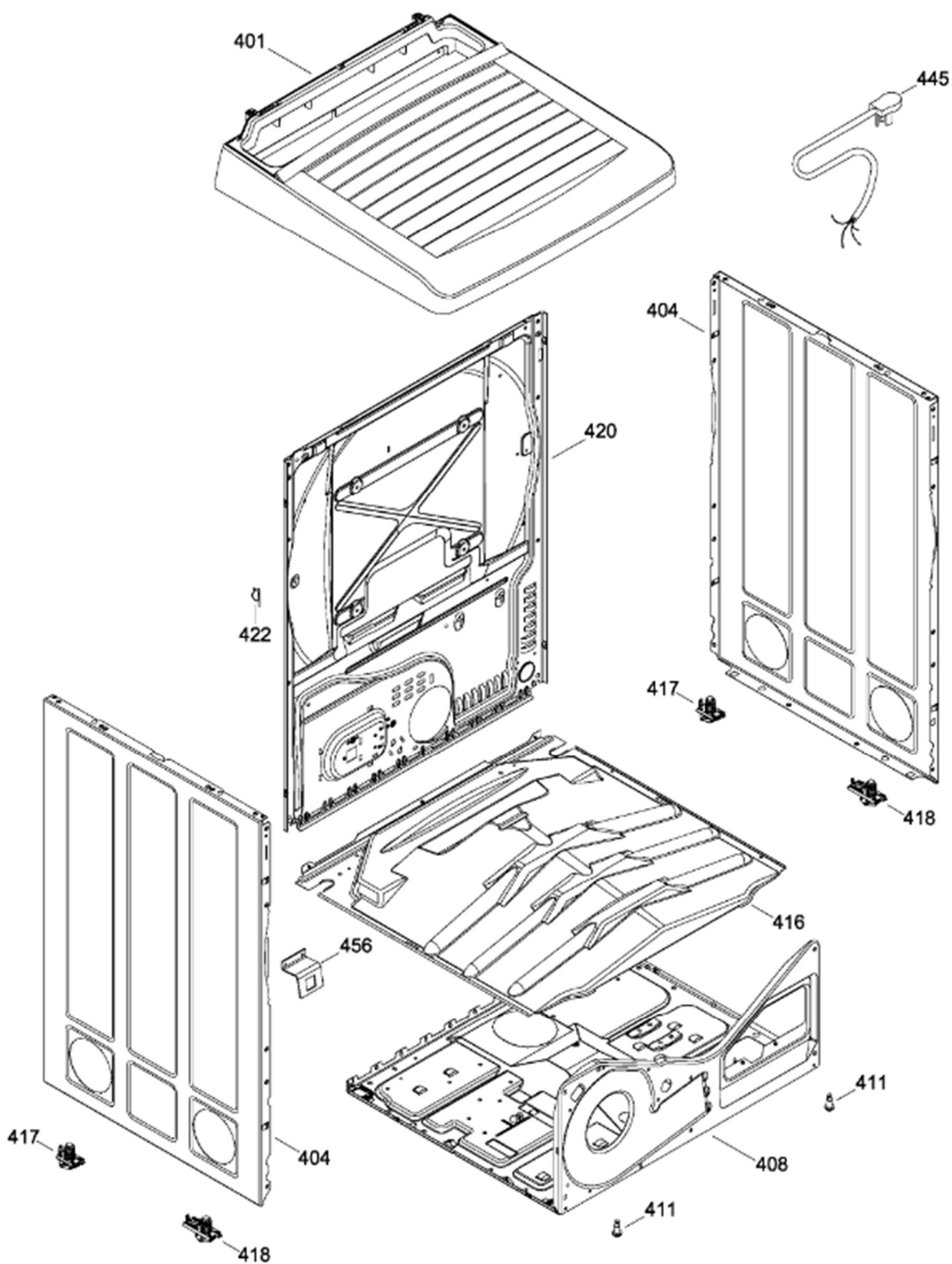
PUERTA (ENS)

SGL1522PMSPB0



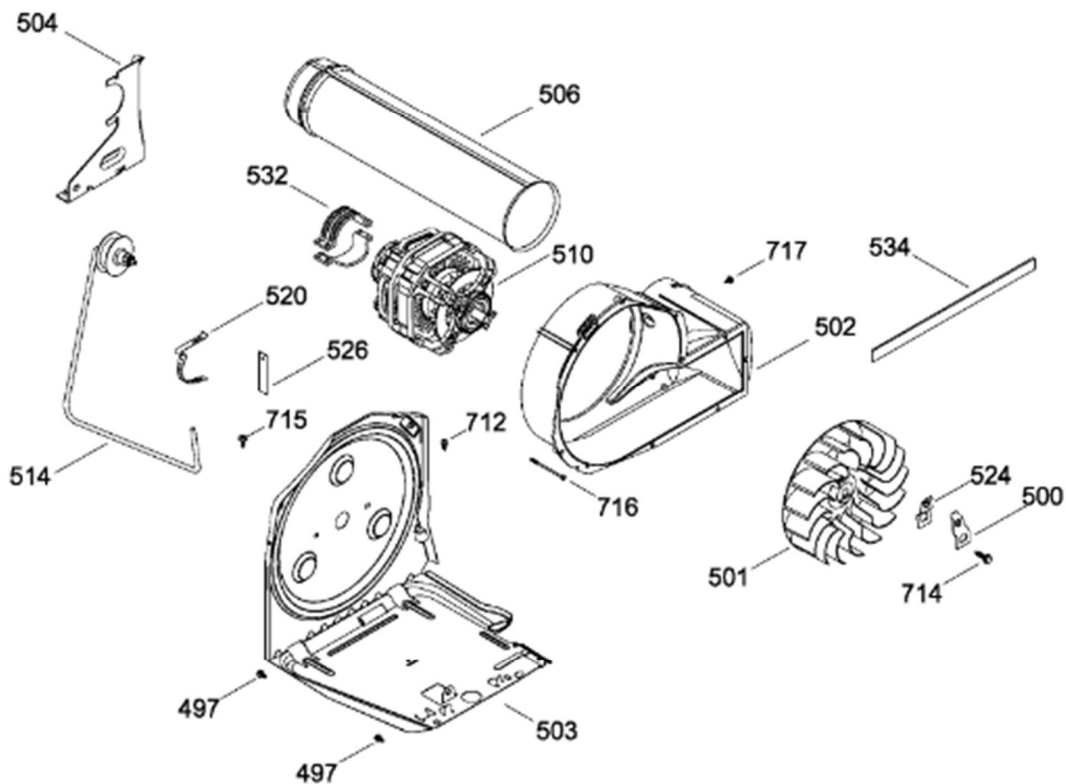
GABINETE

SGL1522PMSPB0

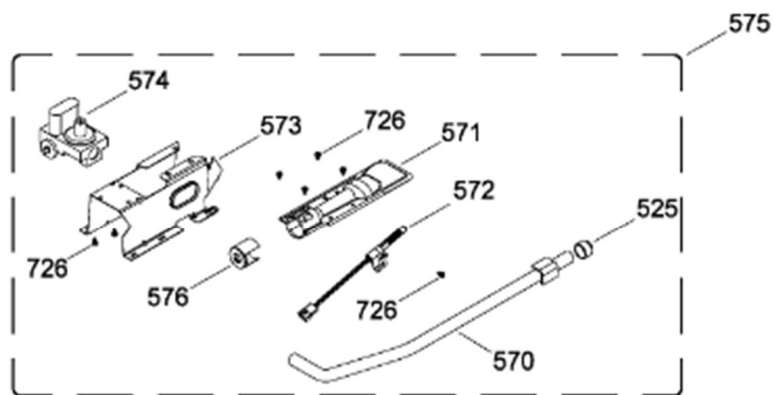


## SISTEMA DE TRANSMISION / BLOWER & DRIVE ASSEMBLY

SGL1522PMSPB0

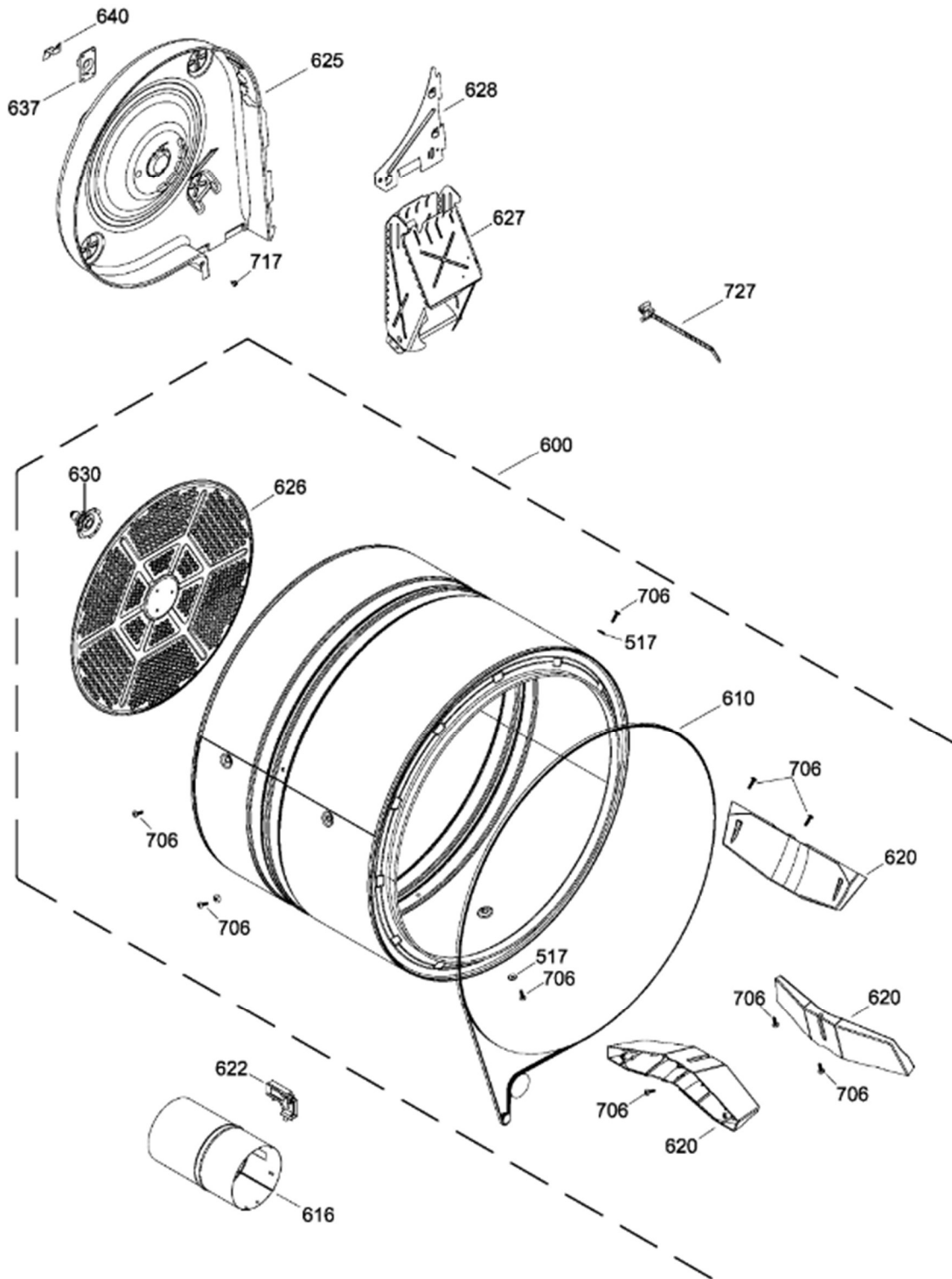


## QUEMADOR / BURNER



TAMBOR

SGL1522PMSPB0



Guía	Refacción	Descripción
1	WW01L00421	LOGO GE
7	WW03L00092	PERILLA CONTROL ENS(GRIS)
8	WW03L00093	PERILLA ROTATORIA ENS(GRIS)
10	212D1233P003	RELOJ (IGUAZU 6 CU.FT GAS)
15	189D7015G008	ARNES ENSAMBLE (GAS)
16	WW02L00083	INTERRUPTOR DE INICIO
40	189D7152G009	COPETE Y GRAFICOS ENS
100	WW02L00049	PANEL FRONTAL
101	WW03F00123	FILTRO (BCO)
101	WW02F00190	FILTRO (BCO)
101	WW02F00615	FILTRO ATRAPAPELUSA
101	WW02F00616	FILTRO
102	WW02L00025	INTERRUPTOR PUERTA
106	WW02L00061	CUBIERTA DUCTO
110	WW02F00010	COJINETE SUP.
110	WW01L01430	COJINETE SUP.
111	WW02F00178	TRAMPA CONDUCTO
111	WW02L00103	TRAMPA CONDUCTO
111	WW02F00600	DUCTO
113	WW02L00138	FELPA DUCTO RECOLECTOR
114	WW02L00145	SELLO PUERTA
115	WW02A00033	BEARING_SLIDE
116	WW02L00038	BEARING_SLIDE
117	WW02A00025	ESPACIADOR DE PUERTA SOLIDA
120	WW02A00004	STRIKE
123	WW02A00056	STRIKE PLATE
124	WW02A00057	STRIKE PLATE
128	WW02L00041	SELLO
130	WW02L00042	SELLO
132	WW02L00039	SELLO
132	WW03F00354	SELLO
202	WW02L00053	INNER DOOR
207	WW02L00051	PUERTA EXTERIOR
207	WW02L00051	PUERTA EXTERIOR
207	WW02L00051	PUERTA EXTERIOR
208	WW02L00016	JALADERA PUERTA(BCO)
213	WW02L00037	LATCH ASM.

Guía	Refacción	Descripción
220	WW02L00029	BISAGRA
220	WW02L00028	BISAGRA
236	WW02A00065	BOTON BELLEZA
401	WW03L00094	CUBIERTA
404	WW02L00149	PANEL LATERAL
404	WW02L00149	PANEL LATERAL
404	WW02L00149	PANEL LATERAL
408	WW02F00076	BASTIDOR BASE
411	WW02L00142	PATA ESTABILIZADORA ENS.
416	WW02A00045	DEFLECTOR
416	WW02A00045	DEFLECTOR
416	WW02A00045	DEFLECTOR DE CALOR
417	WW02A00059	ENS. SOPORTE POST.
418	WW02L00108	ENS. SOPORTE FRONT.
420	WW02F00263	PANEL POSTERIOR
422	WW02F00022	CORD SET RETAINER
445	WW02F00091	CABLE TOMACORRIENTE
456	WW02A00037	BRIDE
497	WW01A00001	TORNILLO
500	WW02A00040	ABRAZADERA VENTILADOR
501	WW02A00073	VENTILADOR REDONDO
502	WW02A00012	CARCAZA ASPAS
502	WW02L00013	CARCAZA ASPAS
502	WW02L00433	CAJA DEL VENTILADOR
502	WW02L00013	CUBIERTA VENTILADOR
502	WW02L00433	CAJA DEL VENTILADOR
502	WW02L00013	CUBIERTA VENTILADOR
502	WW02L00433	CAJA DEL VENTILADOR
502	WW02L00013	CUBIERTA VENTILADOR
503	WW01F01125	BASE MOTOR
503	WW01L01163	BASE MOTOR
503	WW01L01163	BASE MOTOR
503	WW02L00642	BASE MOTOR
504	WW02F00027	SOPORTE MOTOR
506	572D559P006	CONDUCTO DE ESCAPE
510	WW02F00186	ENS. MOTOR
510	WW02A00191	ENS. MOTOR

Guía	Refacción	Descripción
514	WW02A00008	ENS. BRAZO AUXILIAR
514	WW03F00350	ENS. BRAZO AUXILIAR
517	WW02A00002	ARANDELA
520	WW02F00031	CLIP MOTOR
524	WW02A00041	ABRAZADERA VENTILADOR
525	WW02A00003	TAPA
526	WW02L00033	ESPACIADOR ESPUMADO
532	WW02F00003	CORREA MOTOR
532	WW02A00232	CORREA MOTOR
534	WW02A00026	EMPAQUE ESCAPE SOPLADOR
534	WW02F00785	EMPAQUE ESCAPE SOPLADOR
570	WW02A00058	PIPE & LUG ASM.
570	WW03F00137	PIPE & LUG ASM.
571	WW02A00020	QUEMADORES
572	WW02F00002	ALLUME-GAZ
572	WW02F00740	ALLUME-GAZ
572	WW01F01432	ENCENDEDOR INCANDESCENTE
573	WW02F00077	GAS VALVE BRACKET
573	WW03A00125	GAS VALVE BRACKET
574	WW02F00096	VALVUAL DE GAS ENS.
575	WW02F00081	ENS. VALVULA QUEMADOR
576	WW02L00140	AIRADOR
600	WW02F00056	ENS. TAMBOR
610	WW02F00028	BANDA SECADORA
610	WW02F00854	BANDA SECADORA
616	WW02F00093	COMBUSTION CHAMBER
616	WW02F00260	COMBUSTION CHAMBER
620	WW02L00143	BAFFLE
622	WW02F00001	DETECTOR TERMOSTATO
625	WW02L00014	DIFUSOR GAS
625	WW03F00095	DIFUSOR GAS
626	WW02F00030	DIFUSOR
627	572D429P003F	DUCTO DE TRANSICION
628	WW02F00029	DIFUSSER PLATE
630	WW02A00019	SOPORTE Y FLECHA ENSAMBLE
637	WW02A00005	RETENEDOR RODAMIENTO
640	WW02F00026	GROUND STRAP ASM.



Guía	Refacción	Descripción
640	WW01A00443	GROUND STRAP ASM.
640	WW02F00833	GROUND STRAP ASSEMBLY
705	WW02A00028	TORNILLO
706	WW02A00031	TORNILLO
712	WW02A00029	TORNILLO
712	WW02A00211	TORNILLO
714	WW02A00071	TORNILLO
715	WW02A00070	TORNILLO
716	WW02A00032	TORNILLO
717	WW02A00030	TORNILLO
717	WW02A00211	TORNILLO
726	WW02A00027	SCREW
727	WW02A00061	TIE WRAP ARNESS
727	WW02F00402	TIE WRAP ARNESS