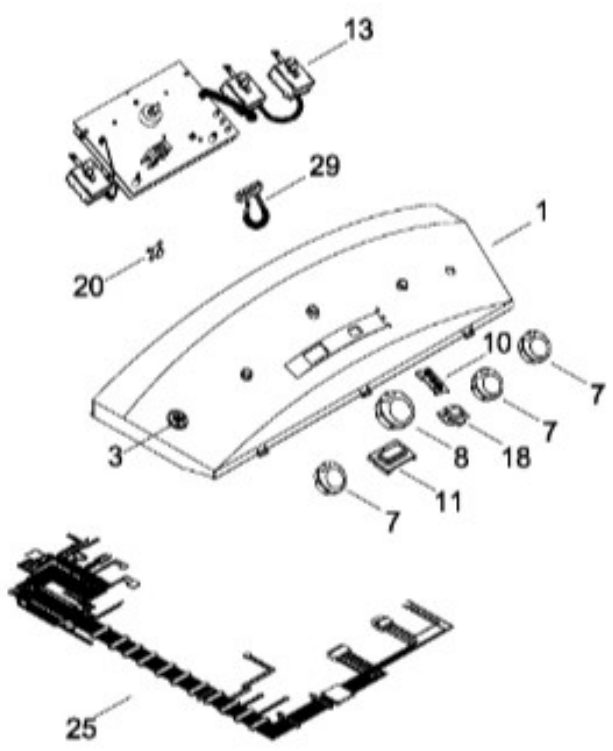




SECADORA SGL15405PSGG0

SISTEMA CONTROLES

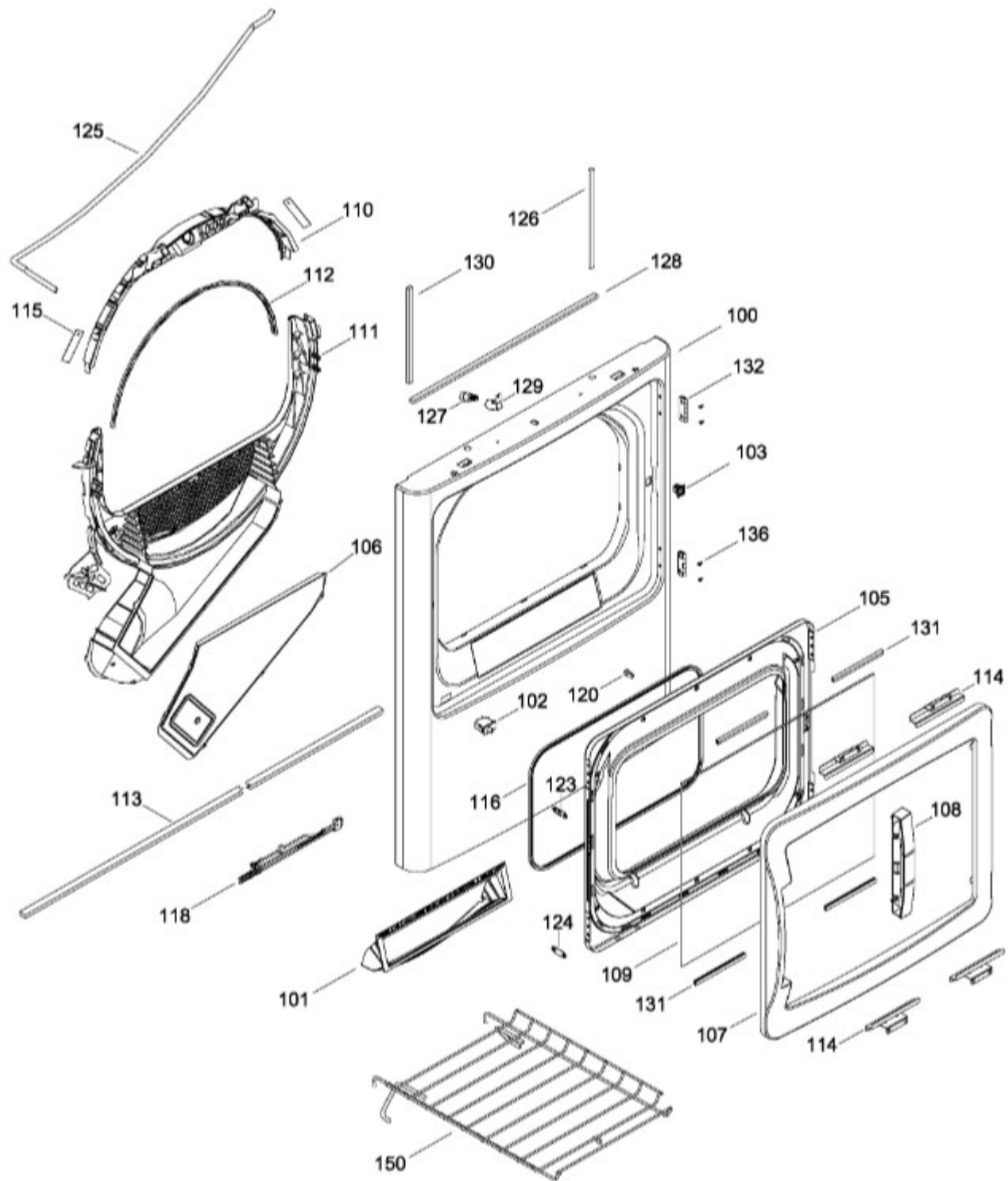
SGL15405PSGG0
SGL1545PSWS0



BENITO JUÁREZ #1500 GPE ZITON, CD. GUADALUPE NUEVO LEÓN TEL: 8183377999 Y 49
HORARIOS: LUNES A VIERNES 8:30 A 6:00 PM Y SÁBADOS DE 8:30 A 2:00 PM
WEB: www.denek.com

PUERTA (ENS)

SGL15405PSGG0
SGL1545PSWS0

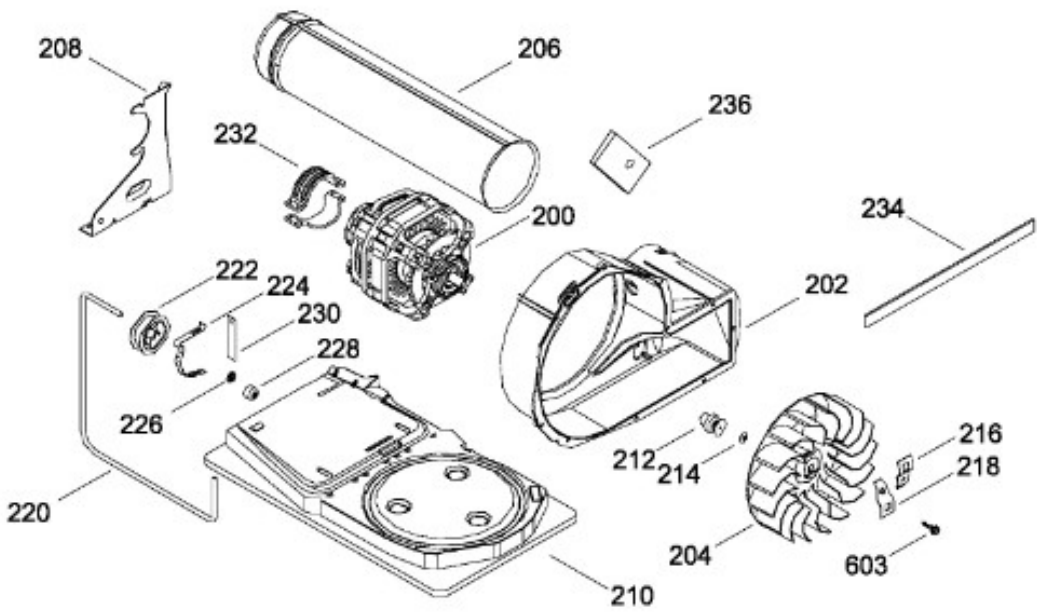




SECADORA SGL15405PSGG0

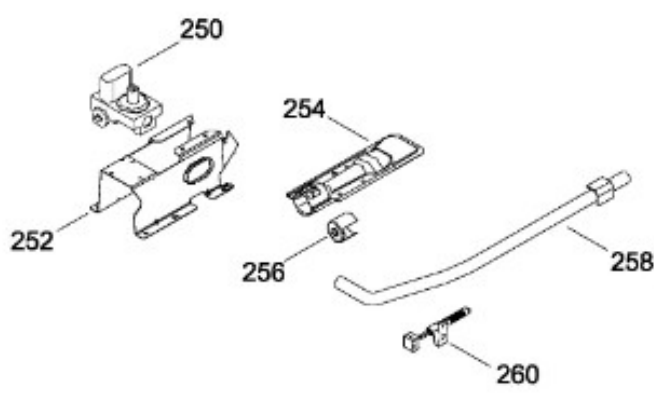
SISTEMA DE TRANSMISION / BLOWER & DRIVE ASSEMBLY

SGL15405PSGG0
SGL1545PSWS0



QUEMADOR / BURNER

SGL15405PSGG0
SGL1545PSWS0



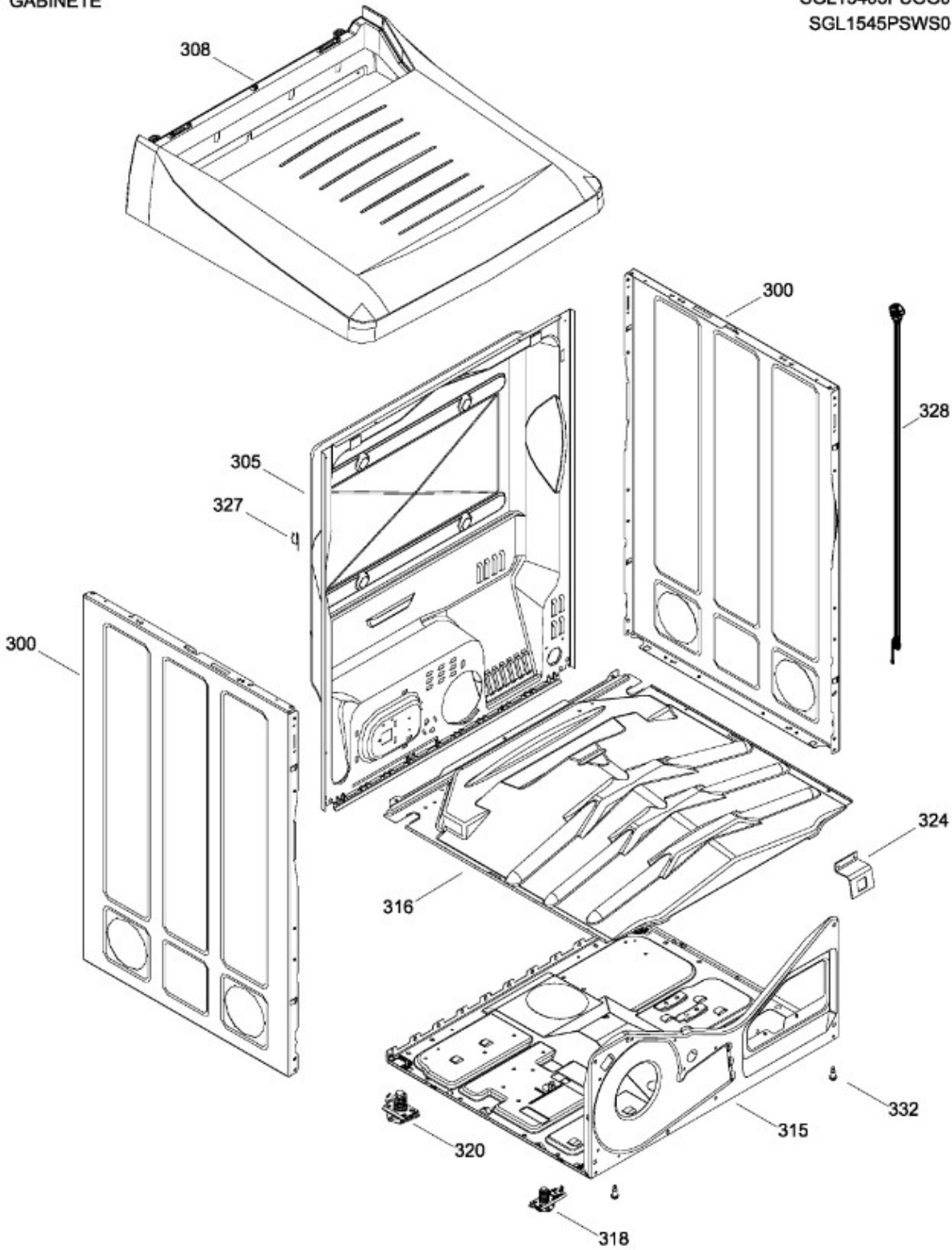
BENITO JUÁREZ #1500 GPE ZITON, CD. GUADALUPE NUEVO LEÓN TEL: 8183377999 Y 49
HORARIOS: LUNES A VIERNES 8:30 A 6:00 PM Y SÁBADOS DE 8:30 A 2:00 PM
WEB: www.denek.com



SECADORA SGL15405PSGG0

GABINETE

SGL15405PSGG0
SGL1545PSWS0



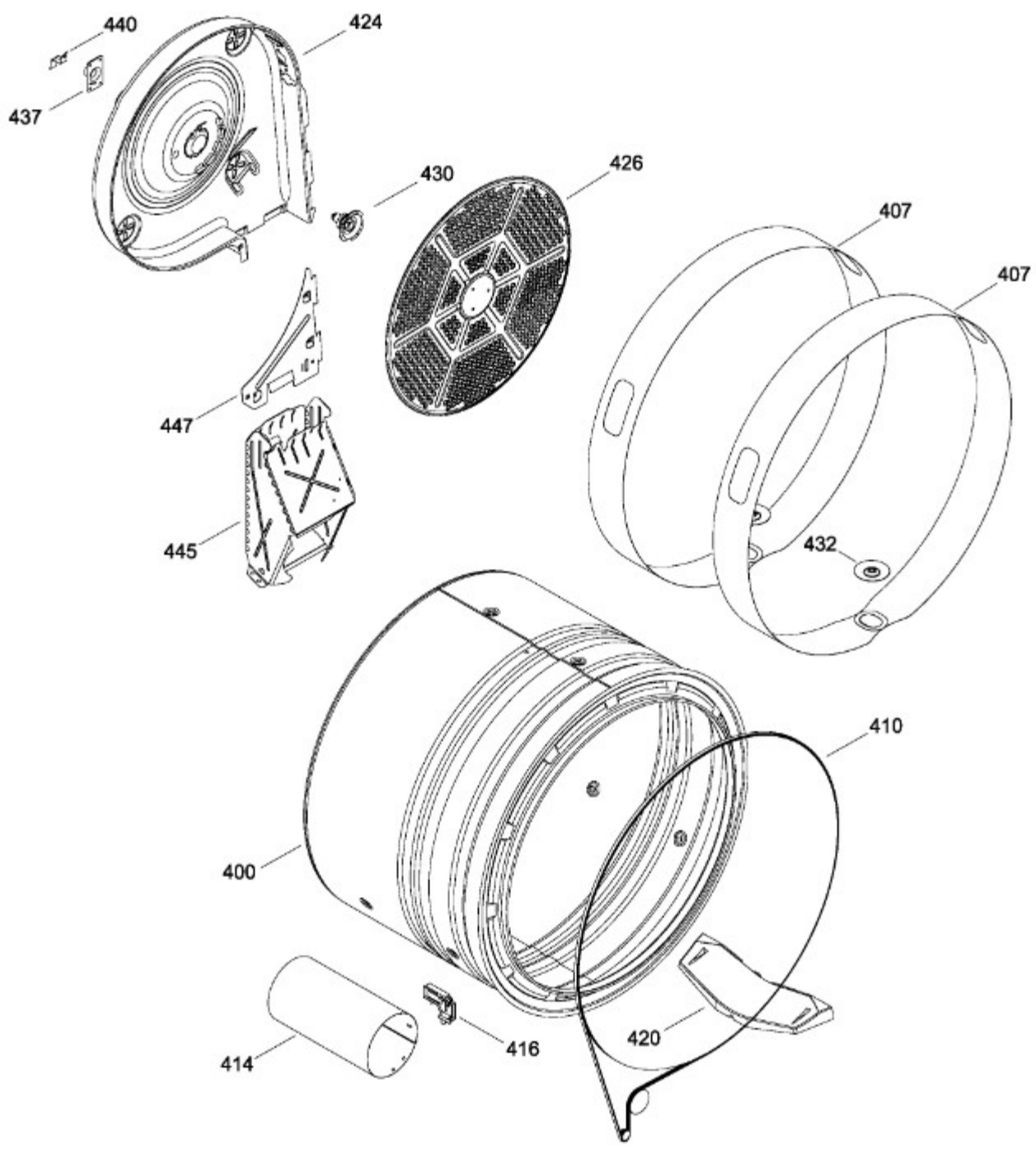
BENITO JUÁREZ #1500 GPE ZITON, CD. GUADALUPE NUEVO LEÓN TEL: 8183377999 Y 49
HORARIOS: LUNES A VIERNES 8:30 A 6:00 PM Y SÁBADOS DE 8:30 A 2:00 PM
WEB: www.denek.com



SECADORA SGL15405PSGG0

TAMBOR

SGL15405PSGG0
SGL1545PSWS0



BENITO JUÁREZ #1500 GPE ZITON, CD. GUADALUPE NUEVO LEÓN TEL: 8183377999 Y 49
HORARIOS: LUNES A VIERNES 8:30 A 6:00 PM Y SÁBADOS DE 8:30 A 2:00 PM
WEB: www.denek.com

Guía	Refacción	Descripción
1	189D7005G007F	COPETE Y GRAFICOS ENSAMBLE
3	WW01L00421	LOGO GE
7	WW02L00350	PERILLA ROTATORIA ENSAMBLE(SIL
8	WW02F00385	PERILLA CONTROL ENSAMBLE(SILVE
10	WW02A00063	GUIA LUZ
11	WW02F00087	CUBIERTA DISPLAY
13	WW02F00034	ENS. TARJETA CIRCUITO IMPRESO
18	WW02L00136	BOTON INICIO
20	WW02L00137	BUJE PARA PEILLA
25	WW02F00043	ENS. ARNES
29	WW02A00042	JUMPER GAS
100	WW03L00098	PANEL FRONTAL PUERTA(GRAFITO)
100	WW03L00098	PANEL FRONTAL PUERTA(GRAFITO)
101	WW02L00080	ENS. FILTRO MALLA
101	WW02F00616	ENS. FILTRO MALLA
102	WW02L00025	INTERRUPTOR PUERTA
103	WW02L00037	LATCH ASM.
105	WW02L00054	INNER DOOR
105	WW02L00054	INNER DOOR
105	WW02L00054	PUERTA INTERIOR
106	WW02L00061	CUBIERTA DUCTO
107	WW02F00033	ANILLO EXT.
107	WW01L01492	ANILLO EXT.
108	WW02L00057	JALADERA
108	WW01L01494	JALADERA
109	WW02L00058	PANEL VIDRIO
110	WW02F00010	COJINETE SUP.
110	WW01L01430	COJINETE SUP.
111	WW02F00178	TRAMPA CONDUCTO
111	WW02L00103	TRAMPA CONDUCTO
111	WW02F00600	DUCTO
112	WW02L00145	SELLO PUERTA
113	WW02L00139	FIELTRO
113	WW02L00138	FIELTRO
114	WW02L00101	SOPORTE VIDRIO

Guía	Refacción	Descripción
115	WW02A00033	BEARING_SLIDE
116	WW02L00062	SELLO VENTANA
118	WW02F00094	ARNES SENS.OR
120	WW02A00004	STRIKE
123	WW02A00056	STRIKE PLATE
124	WW02A00057	STRIKE PLATE
125	WW02F00088	SENSOR ROD
126	WW02L00039	SELLO
126	WW03F00354	SELLO
127	WW02A00067	LAMP
127	WW03F00458	LAMP
128	WW02L00041	SELLO
129	WW02L00104	ENS. CLAVIJA
129	WW01F01584	ENS. CLAVIJA
130	WW02L00042	SELLO
131	WW02L00102	RETAINER GASKET
132	WW02L00029	BISAGRA
132	WW02L00028	BISAGRA
136	WW02A00066	BOTON BELLEZA
150	WW02L00088	SHOE RACK
150	WW02L00190	SHOE RACK
200	WW02F00186	ENS. MOTOR
200	WW02A00191	ENS. MOTOR
202	WW02F00109	BLOWER HOUSING
202	WW03L00150	BLOWER HOUSING
204	WW02A00073	VENTILADOR REDONDO
206	572D559P006	CONDUCTO DE ESCAPE
208	WW02F00027	SOPORTE MOTOR
210	WW02F00098	PLATO MOTOR
214	WW02A00002	ARANDELA
216	WW02A00038	VENTILADOR
216	WW02A00040	VENTILADOR
218	WW02A00039	VENTILADOR
218	WW02A00041	VENTILADOR
220	WW02A00060	BRAZO TENS.OR

Guía	Refacción	Descripción
220	WW03L00340	BRAZO TENS.OR
222	WW02L00151	POLEA
222	WW02F00871	POLEA
224	WW02F00031	CLIP MOTOR
226	WW02A00034	TAPA TUERCA
228	WW02A00003	TAPA
230	WW02L00033	ESPACIADOR ESPUMADO
232	WW02F00003	CORREA MOTOR
232	WW02A00232	CORREA MOTOR
234	WW02A00026	EMPAQUE ESCAPE SOPLADOR
234	WW02F00785	EMPAQUE ESCAPE SOPLADOR
236	WW02L00038	BEARING_SLIDE
250	WW02F00095	VALVUAL DE GAS ENS.
252	WW02F00077	GAS VALVE BRACKET
252	WW03A00125	GAS VALVE BRACKET
254	WW02A00020	QUEMADORES
256	WW02L00140	AIRADOR
258	WW02A00058	PIPE & LUG ASM.
258	WW03F00137	PIPE & LUG ASM.
260	WW02F00002	ALLUME-GAZ
260	WW02F00740	ALLUME-GAZ
300	212D1615P005	PANEL LATERAL(GRAFITO)
305	WW02L00146	PANEL POST.
308	WW02L00046	CUBIERTA PLASTICA
308	WW01L01491	CUBIERTA PLASTICA
315	WW02F00076	BASTIDOR BASE
316	WW02A00045	DEFLECTOR
316	WW02A00045	DEFLECTOR
316	WW02A00045	DEFLECTOR DE CALOR
318	WW02L00108	ENS. SOPORTE FRONT.
320	WW02A00059	ENS. SOPORTE POST.
324	WW02A00037	BRIDE
327	WW02F00022	CORD SET RETAINER
328	WW02F00091	CABLE TOMACORRIENTE
332	WW02L00142	PATA ESTABILIZADORA ENS.

Guía	Refacción	Descripción
407	WW02L00098	BANDA TAMBOR
410	WW02F00028	BANDA SECADORA
410	WW02F00854	BANDA SECADORA
414	WW03F00345	TUBO DE COMBUSTION
416	WW02F00001	DETECTOR TERMOSTATO
420	WW02L00143	BAFFLE
424	WW02L00014	DIFUSOR GAS
424	WW03F00095	DIFUSOR GAS
426	WW02F00030	DIFUSOR
430	WW02A00019	SOPORTE Y FLECHA ENSAMBLE
432	WW02A00072	RONDANDA BANDA
437	WW02A00005	RETENEDOR RODAMIENTO
440	WW02F00026	GROUND STRAP ASM.
440	WW01A00443	GROUND STRAP ASM.
440	WW02F00833	GROUND STRAP ASSEMBLY
445	WW02F00097	DUCTO DE TRANSICION
447	WW02F00029	DIFUSSER PLATE
603	WW02A00071	TORNILLO