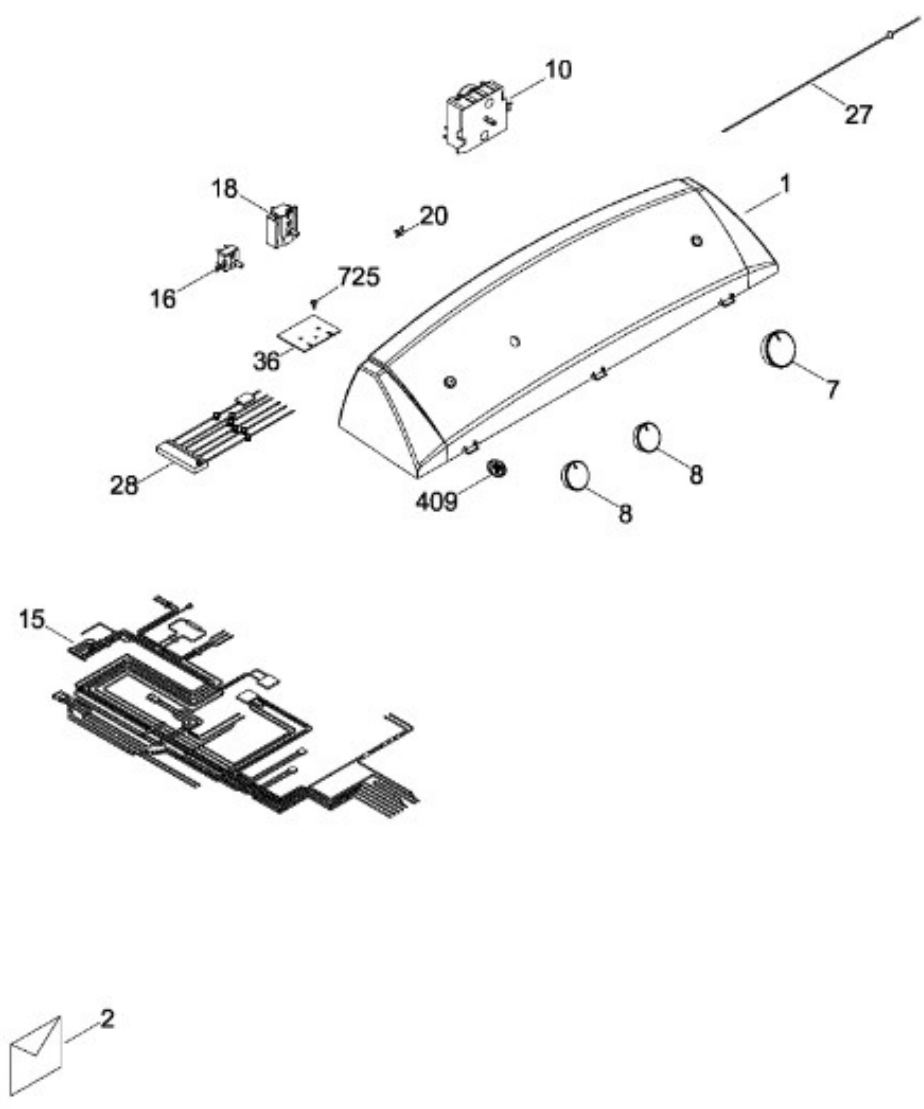




SECADORA SGL1639PMBW0

SISTEMA CONTROLES / CONTROL SYSTEM

SGL1639PMBW0



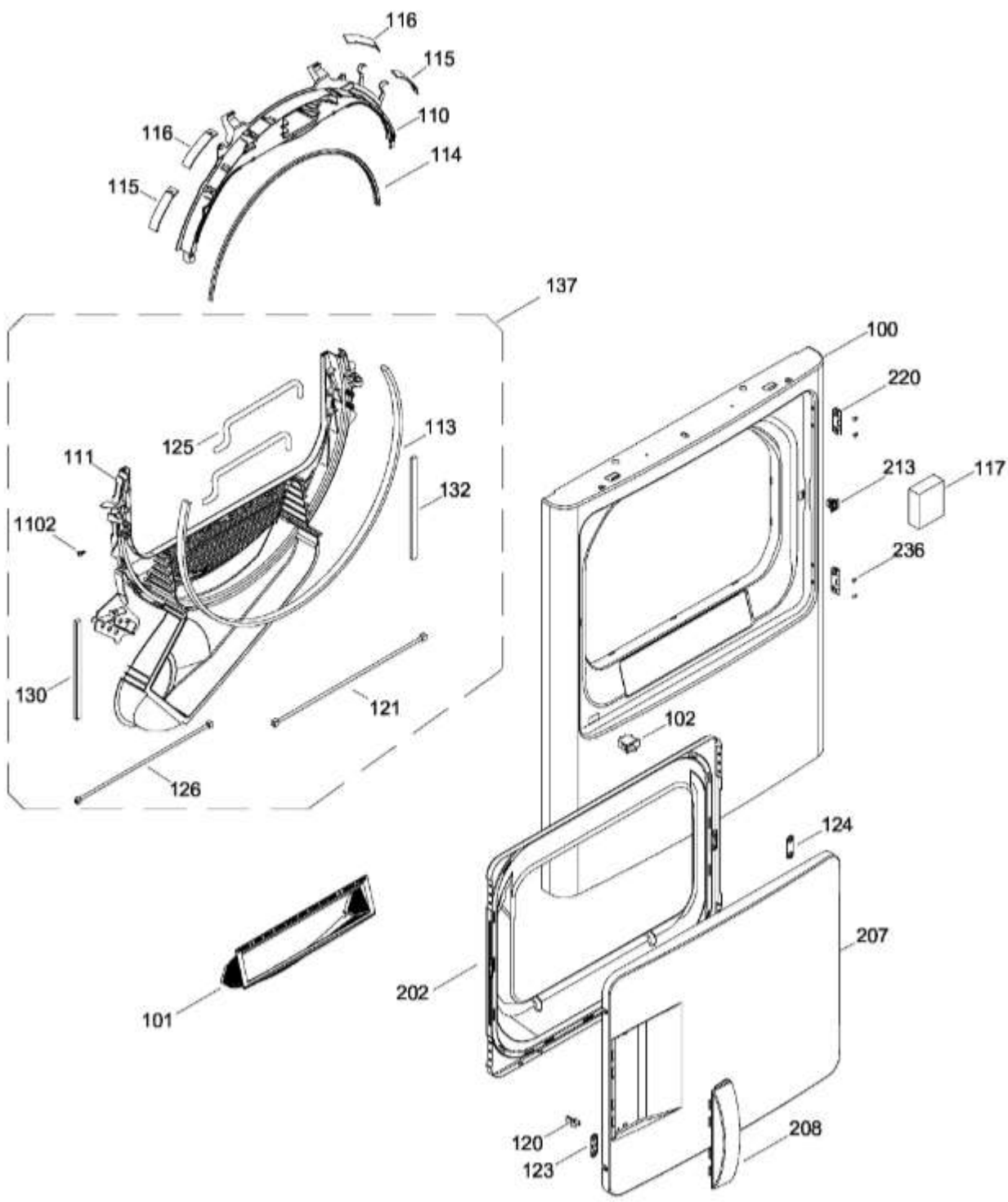
BENITO JUÁREZ #1500 GPE ZITON, CD. GUADALUPE NUEVO LEÓN TEL: 8183377999 Y 49
HORARIOS: LUNES A VIERNES 8:30 A 6:00 PM Y SÁBADOS DE 8:30 A 2:00 PM
WEB: www.denek.com



SECADORA SGL1639PMBW0

PUERTA (ENSP) / DOOR (ASM)

SGL1639PMBW0



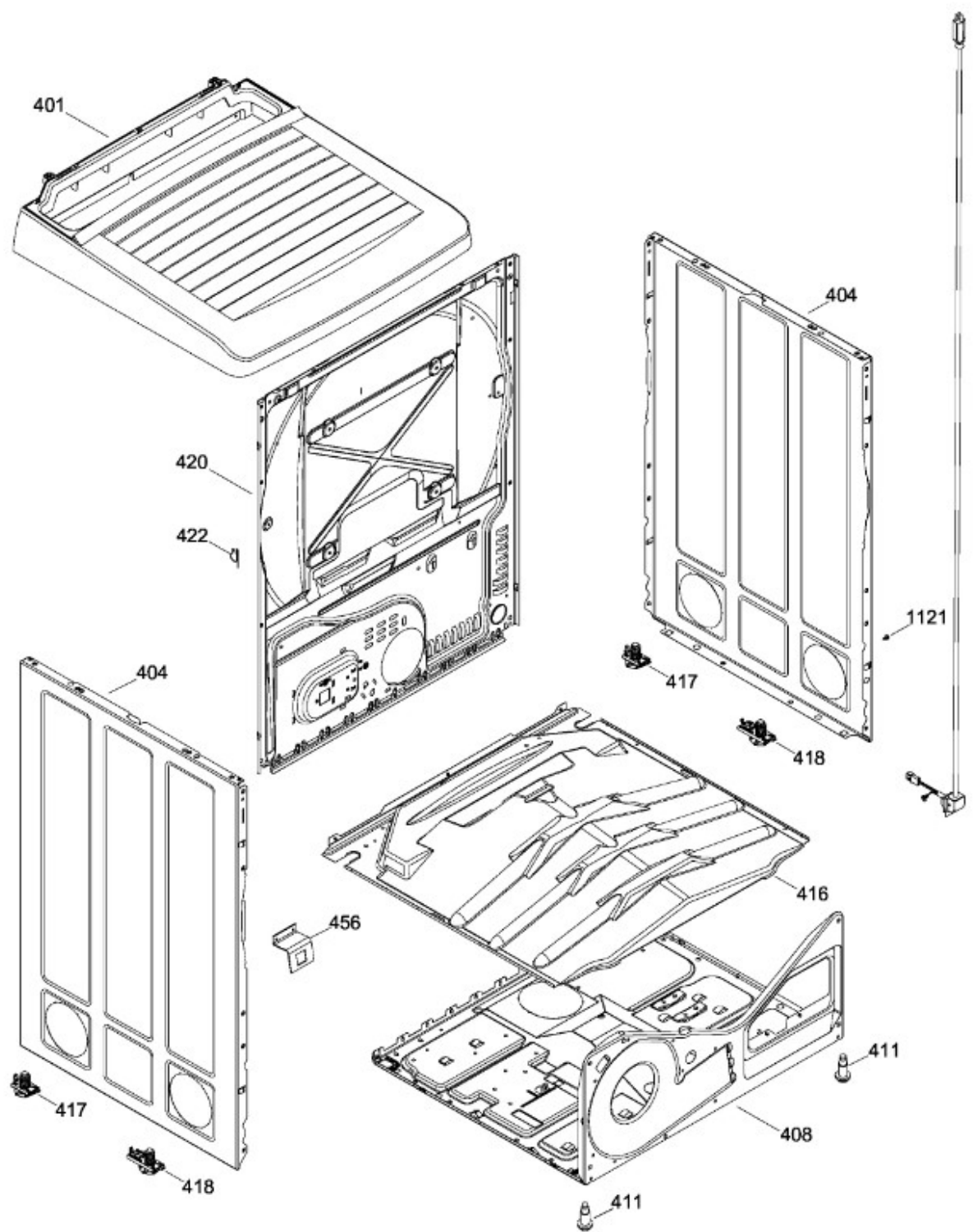
BENITO JUÁREZ #1500 GPE ZITON, CD. GUADALUPE NUEVO LEÓN TEL: 8183377999 Y 49
 HORARIOS: LUNES A VIERNES 8:30 A 6:00 PM Y SÁBADOS DE 8:30 A 2:00 PM
 WEB: www.denek.com



SECADORA SGL1639PMBW0

GABINETE / STRUCTURE

SGL1639PMBW0



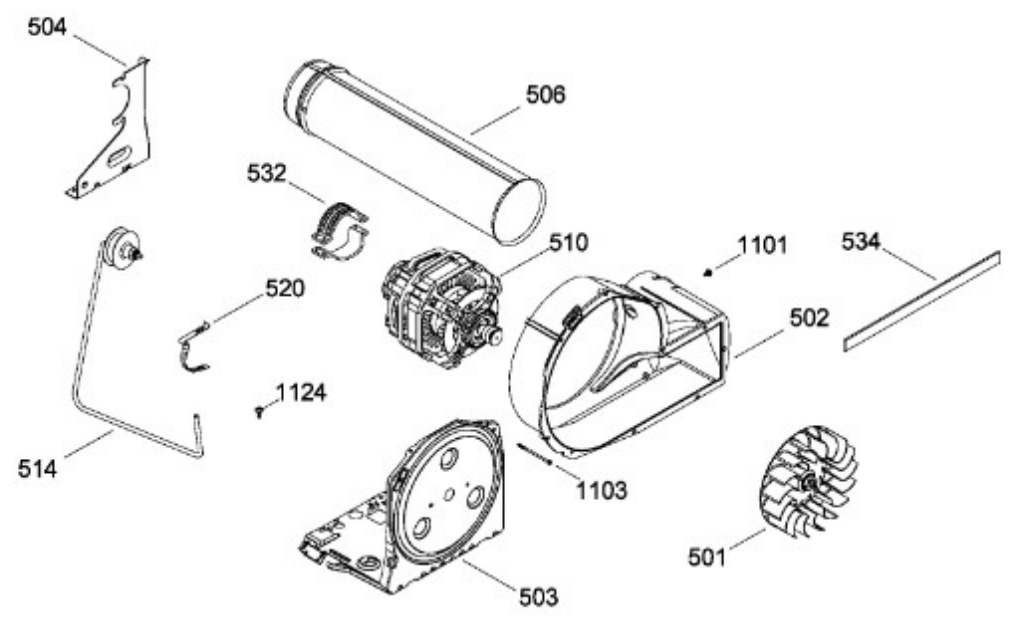
BENITO JUÁREZ #1500 GPE ZITON, CD. GUADALUPE NUEVO LEÓN TEL: 8183377999 Y 49
HORARIOS: LUNES A VIERNES 8:30 A 6:00 PM Y SÁBADOS DE 8:30 A 2:00 PM
WEB: www.denek.com



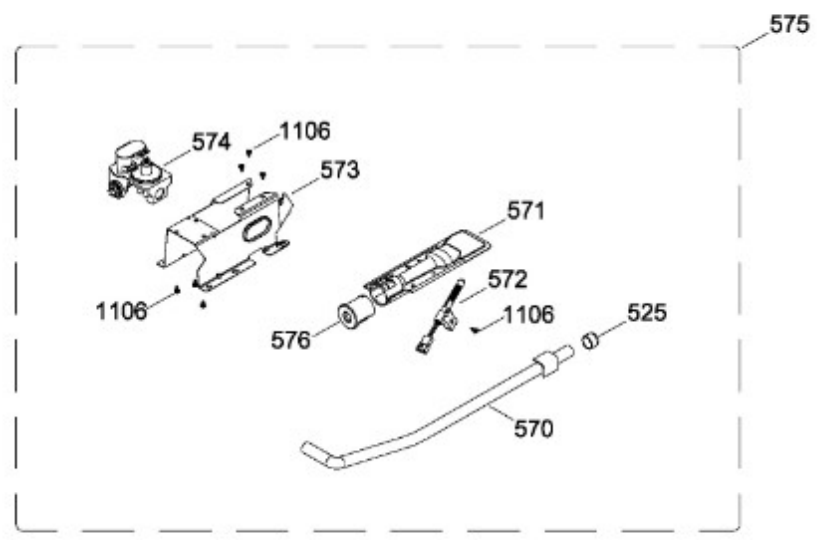
SECADORA SGL1639PMBW0

SISTEMA DE TRANSMISION / BLOWER & DRIVE ASSEMBLY

SGL1639PMBW0



QUEMADOR / BURNER



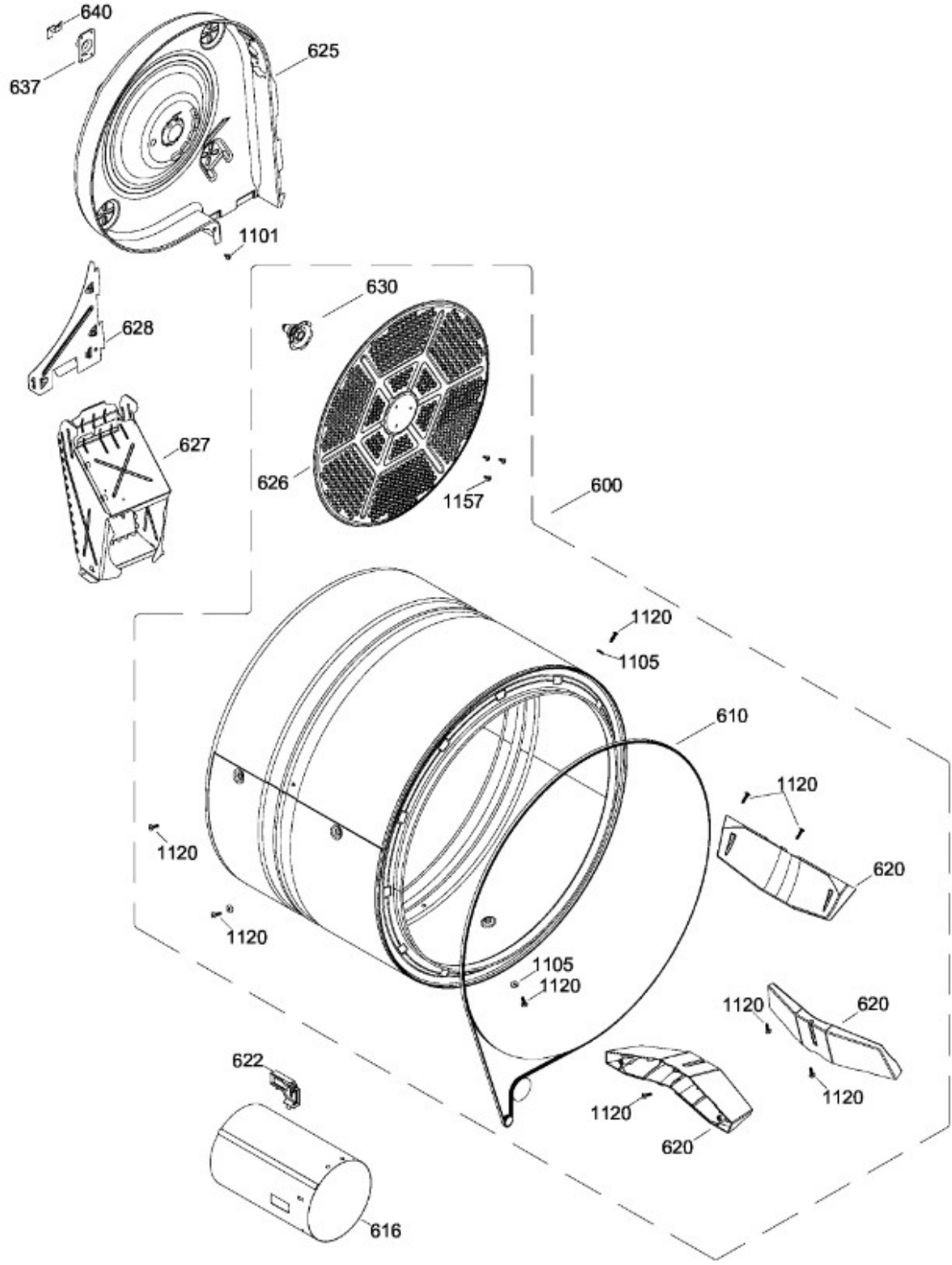
BENITO JUÁREZ #1500 GPE ZITON, CD. GUADALUPE NUEVO LEÓN TEL: 8183377999 Y 49
HORARIOS: LUNES A VIERNES 8:30 A 6:00 PM Y SÁBADOS DE 8:30 A 2:00 PM
WEB: www.denek.com



SECADORA SGL1639PMBW0

TAMBOR / DRUM

SGL1639PMBW0



BENITO JUÁREZ #1500 GPE ZITON, CD. GUADALUPE NUEVO LEÓN TEL: 8183377999 Y 49
HORARIOS: LUNES A VIERNES 8:30 A 6:00 PM Y SÁBADOS DE 8:30 A 2:00 PM
WEB: www.denek.com

Guía	Refacción	Descripción
1	WW02L00162	COPETE Y GRAFICOS ENS
2	234D1308P003	MANUAL DE USO Y CUIDADO(GE)
7	WW01L00374	ENS. PERILLA CONTROL
7	WW01L00376	ENS. PERILLA CONTROL
8	WW02L00114	PERILLA ROTATORIA
10	WW02F00067	RELOJ
10	WW02F00286	RELOJ
15	WW02F00046	ARNES ENSAMBLE
16	WW02L00083	INTERRUPTOR DE INICIO
18	WW02L00086	INTERRUPTOR ROTATORIO
20	WW02L00137	BUJE PARA PEILLA
27	WW02F00055	ARNES PANEL CONTROL
28	WW02F00051	ARNES PBC
36	WW02F00092	TARJETA PC
100	WW02L00049	PANEL FRONTAL
101	WW02F00190	FILTRO ATRAPAPELUSA
101	WW02F00615	FILTRO ATRAPAPELUSA
102	WW02L00025	INTERRUPTOR PUERTA
107	WW03L00062	ESPACIADOR PUERTA
110	WW02L00199	COJINETE SUP.
110	WW01L01430	COJINETE SUP.
111	WW02L00103	DUCTO
111	WW02F00600	DUCTO
113	WW02L00138	FELPA DUCTO RECOLECTOR
114	WW02L00145	SELLO PUERTA
115	WW02A00033	BEARING_SLIDE
116	WW02L00038	BEARING_SLIDE
117	WW02L00210	SEPARADOR PUERTA
120	WW02A00004	STRIKE
121	WW02A00051	ARNES
123	WW02A00056	STRIKE PLATE
124	WW02A00057	STRIKE PLATE
125	WW02F00088	SENSOR ROD
126	WW02A00052	ARNES
130	WW02L00042	SELLO

Guía	Refacción	Descripción
132	WW02L00039	SELLO
132	WW03F00354	SELLO
137	WW02F00128	DUCTO TRAMPA ENS CON SENSORES
137	WW02F00599	DUCTO TRAMPA ENS CON SENSORES
202	WW02L00053	INNER DOOR
207	WW02L00051	PUERTA EXTERIOR
207	WW02L00051	PUERTA EXTERIOR
207	WW02L00051	PUERTA EXTERIOR
208	WW02L00016	JALADERA PUERTA(BCO)
213	WW02L00037	LATCH ASM.
220	WW02L00029	BISAGRA
220	WW02L00028	BISAGRA
236	WW02A00065	BOTON BELLEZA
401	WW03L00094	CUBIERTA
404	WW02L00149	PANEL LATERAL
404	WW02L00149	PANEL LATERAL
404	WW02L00149	PANEL LATERAL
408	WW02F00076	BASTIDOR BASE
409	WW01L00421	LOGO GE
411	WW02L00142	PATA ESTABILIZADORA ENS.
416	WW02A00045	DEFLECTOR
416	WW02A00045	DEFLECTOR
416	WW02A00045	DEFLECTOR DE CALOR
417	WW02A00059	ENS. SOPORTE POST.
418	WW02L00108	ENS. SOPORTE FRONT.
420	WW02F00263	PANEL POSTERIOR
422	WW02F00022	CORD SET RETAINER
445	WW02F00086	POWER CORD
445	WW02F00091	POWER CORD
456	WW02A00037	BRIDE
501	WW02A00011	SOPLADOR PUERTA
501	WW01F01162	SOPLADOR PUERTA
502	WW02A00012	CARCAZA ASPAS
502	WW02L00013	CARCAZA ASPAS
502	WW02L00433	CAJA DEL VENTILADOR

Guía	Refacción	Descripción
503	WW01F01125	BASE MOTOR
503	WW01L01163	BASE MOTOR
503	WW01L01163	BASE MOTOR
503	WW02L00642	BASE MOTOR
504	WW02F00027	SOPORTE MOTOR
506	572D559P006	CONDUCTO DE ESCAPE
510	WW02F00015	MOTOR POLEA ENS.
510	WW03A00209	MOTOR POLEA ENS.
514	WW02A00008	ENS. BRAZO AUXILIAR
514	WW03F00350	ENS. BRAZO AUXILIAR
520	WW02F00031	CLIP MOTOR
525	WW02A00003	TAPA
532	WW02F00003	CORREA MOTOR
532	WW02A00232	CORREA MOTOR
534	WW02A00026	EMPAQUE ESCAPE SOPLADOR
534	WW02F00785	EMPAQUE ESCAPE SOPLADOR
570	WW02A00058	PIPE & LUG ASM.
570	WW03F00137	PIPE & LUG ASM.
571	WW02A00020	QUEMADORES
572	WW01F01432	IGNITOR
573	WW02F00077	GAS VALVE BRACKET
573	WW03A00125	GAS VALVE BRACKET
574	WW02F00096	VALVUAL DE GAS ENS.
575	WW02F00081	ENS. VALVULA QUEMADOR
576	WW03F00099	CONTRA VENTANA
600	WW02F00056	ENS. TAMBOR
610	WW02F00028	BANDA SECADORA
610	WW02F00854	BANDA SECADORA
616	WW02F00260	TUBO DE COMBUSTION
616	WW02F00260	TUBO DE COMBUSTION
620	WW02L00143	BAFFLE
622	WW02F00001	DETECTOR TERMOSTATO
625	WW02L00014	DIFUSOR GAS
625	WW03F00095	DIFUSOR GAS
626	WW02F00030	DIFUSOR

Guía	Refacción	Descripción
627	WW02F00127	DUCTO DE TRANSICION
627	WW03F00539	DUCTO DE TRANSICION
628	WW03F00297	PLACA DIFUSORA
628	WW03F00097	PLACA DIFUSORA
630	WW02A00019	SOPORTE Y FLECHA ENSAMBLE
637	WW02A00005	RETENEDOR RODAMIENTO
640	WW01A00443	GROUND STRAP ASSEMBLY
725	WW02A00069	SCREW
1101	WW02A00030	TORNILLO
1101	WW02A00211	TORNILLO
1102	WW02A00029	TORNILLO
1102	WW02A00211	TORNILLO
1103	WW02A00032	TORNILLO
1105	WW02A00002	ARANDELA
1106	WW02A00027	SCREW
1120	WW02A00031	TORNILLO
1121	WW01A00001	TORNILLO
1124	WW02A00070	TORNILLO
1157	WW01A00456	TORNILLO #10