

Distribuidor Autorizado

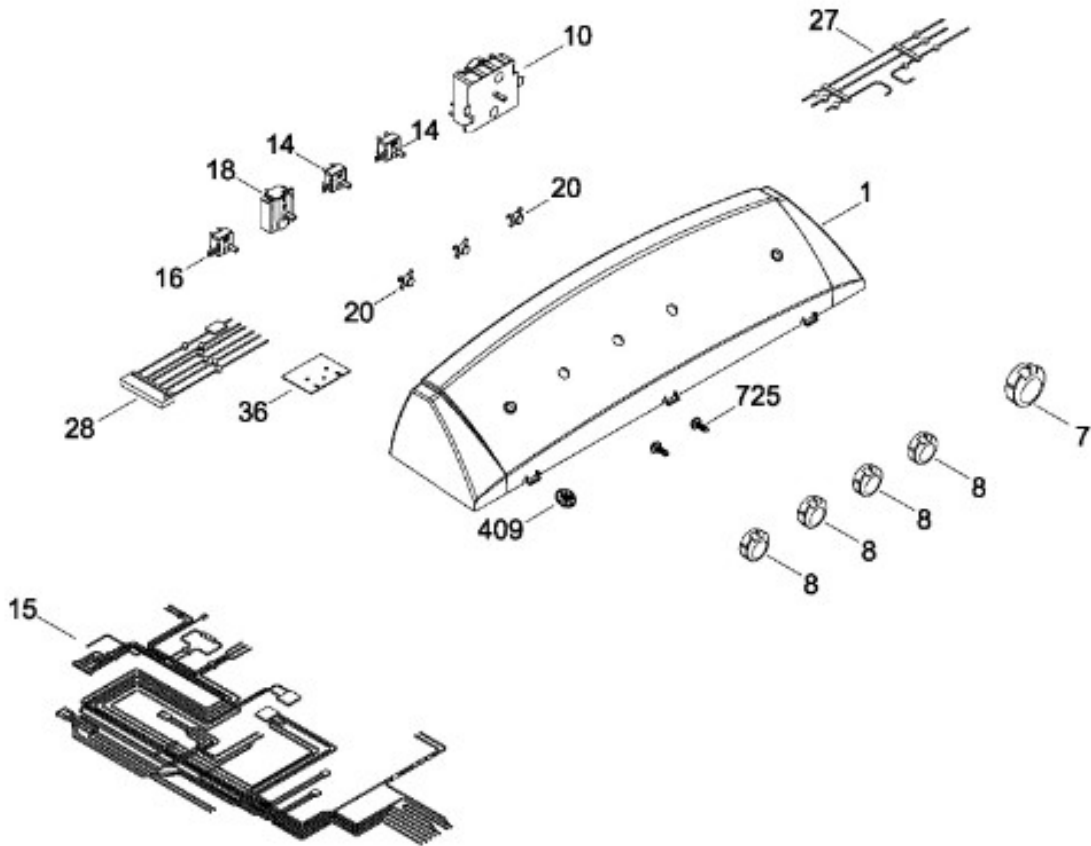
SurteRápido.com

Venta de Refacciones
Electrodomesticas

SECADORA SGL1656GXSPB0

SISTEMA CONTROLES

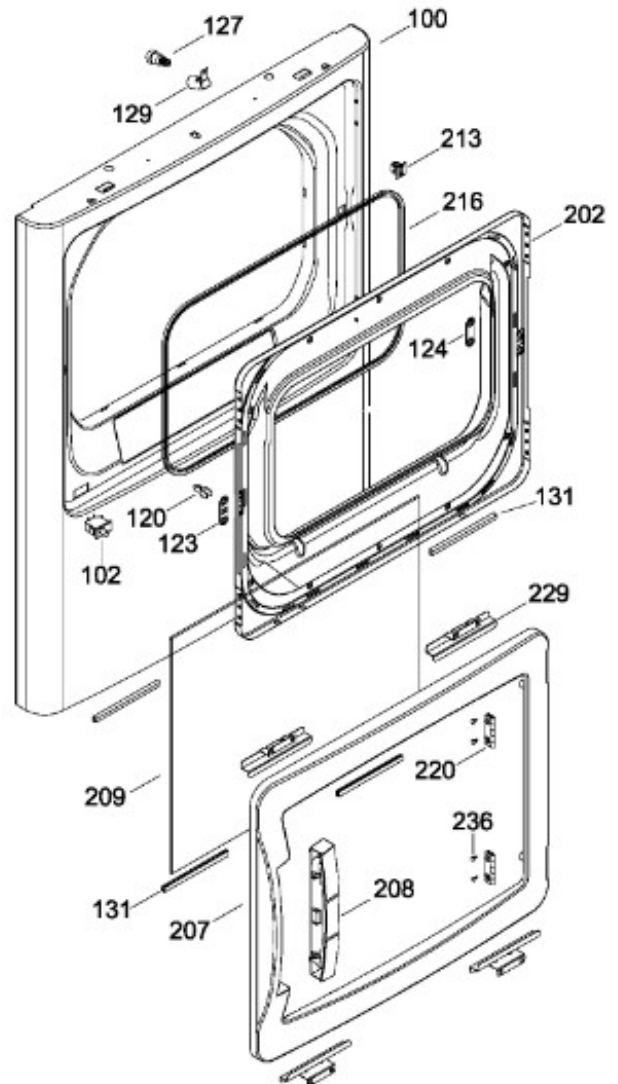
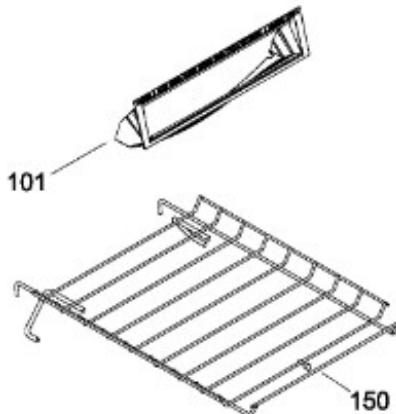
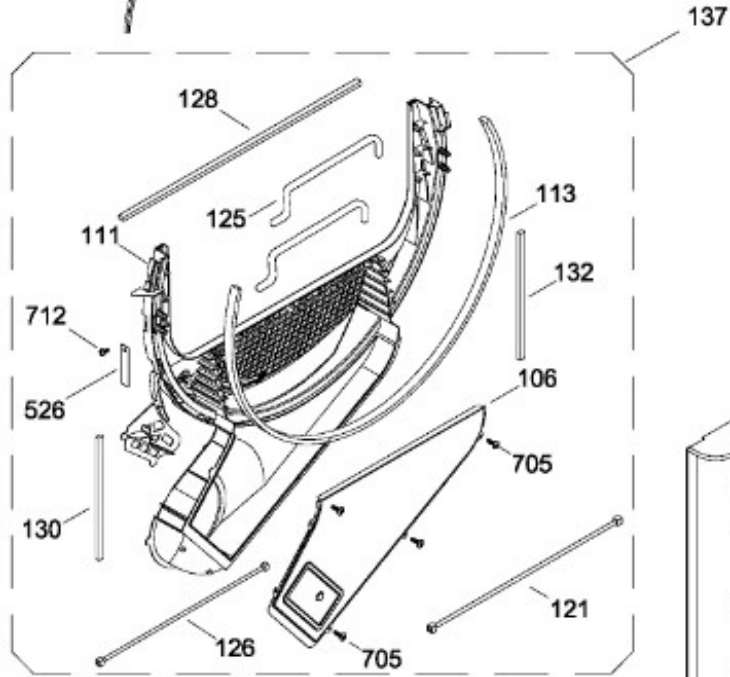
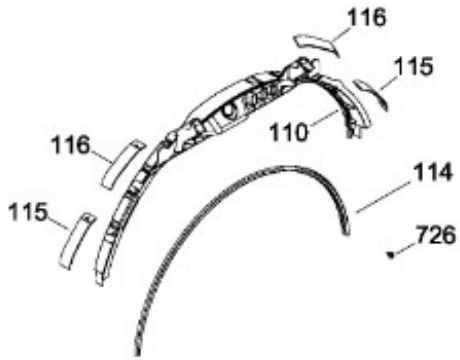
SGL1656GXSPB0



SECADORA SGL1656GXSPB0

PUERTA (ENS)

SGL1656GXSPB0



Distribuidor Autorizado

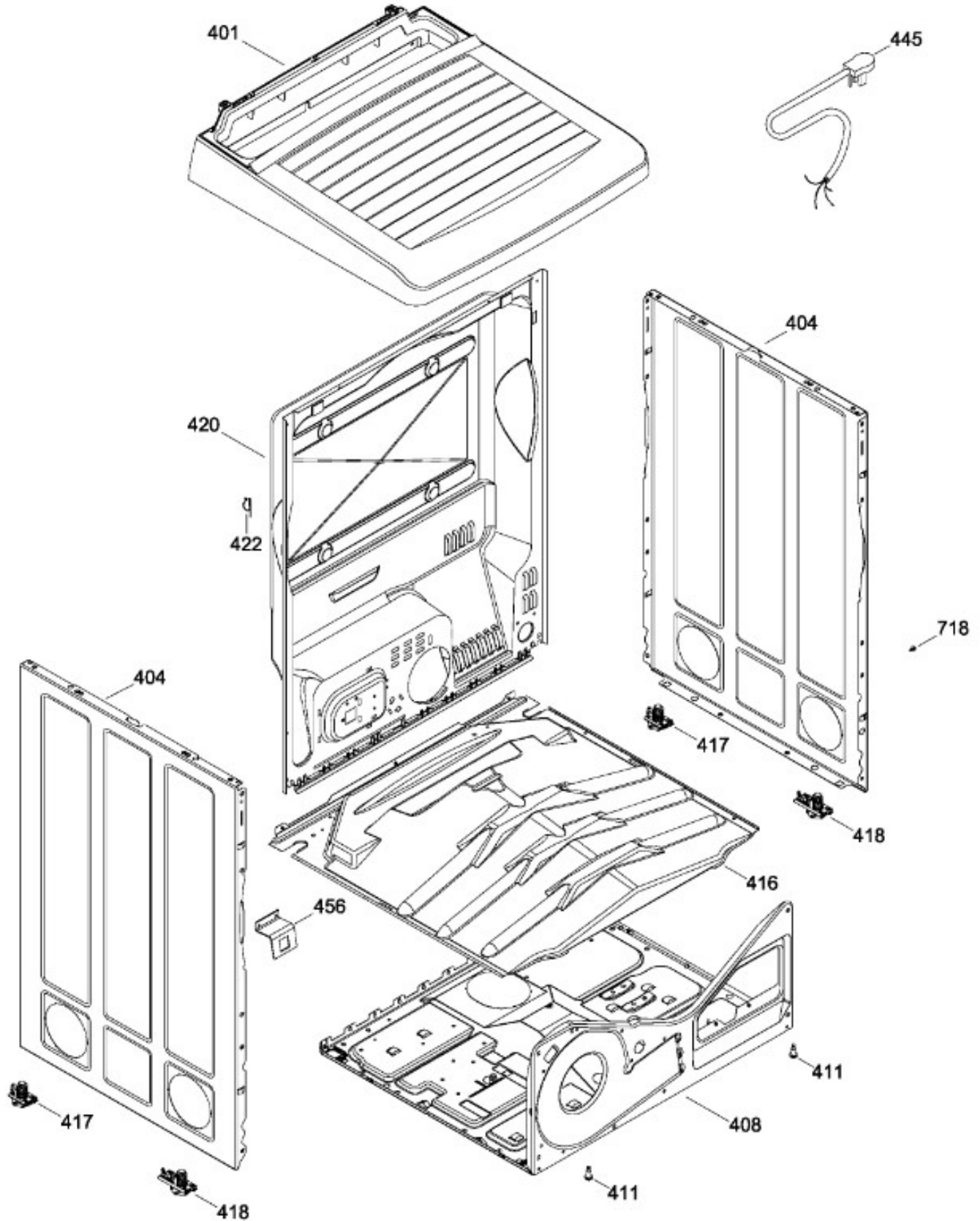
SurteRápido.com

Venta de Refacciones
Electrodomesticas

SECADORA SGL1656GXSPB0

GABINETE

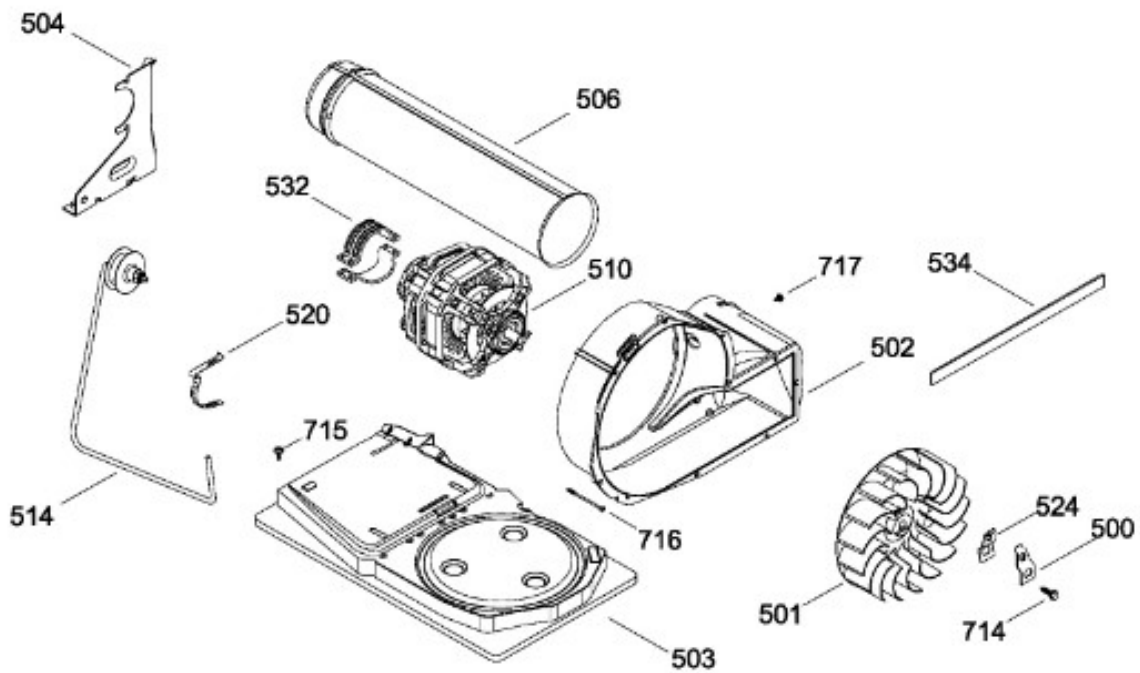
SGL1656GXSPB0



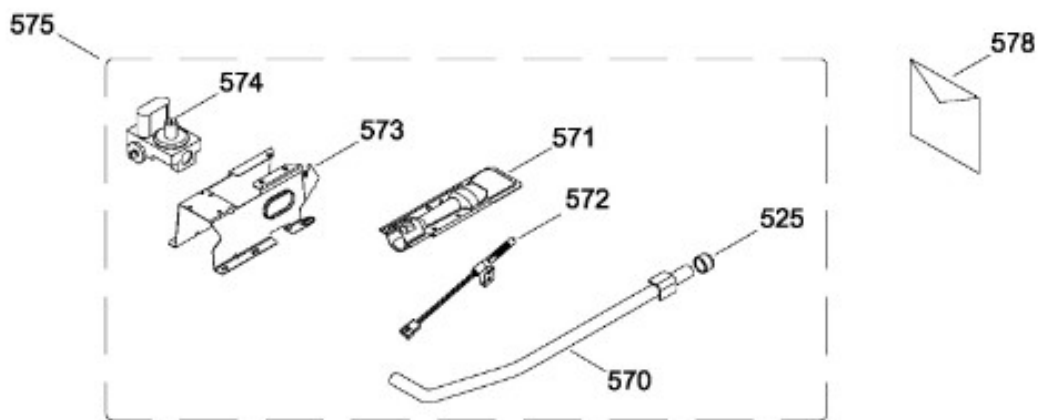
SECADORA SGL1656GXSPB0

SISTEMA DE TRANSMISION / BLOWER & DRIVE ASSEMBLY

SGL1656GXSPB0



QUEMADOR / BURNER



Distribuidor Autorizado

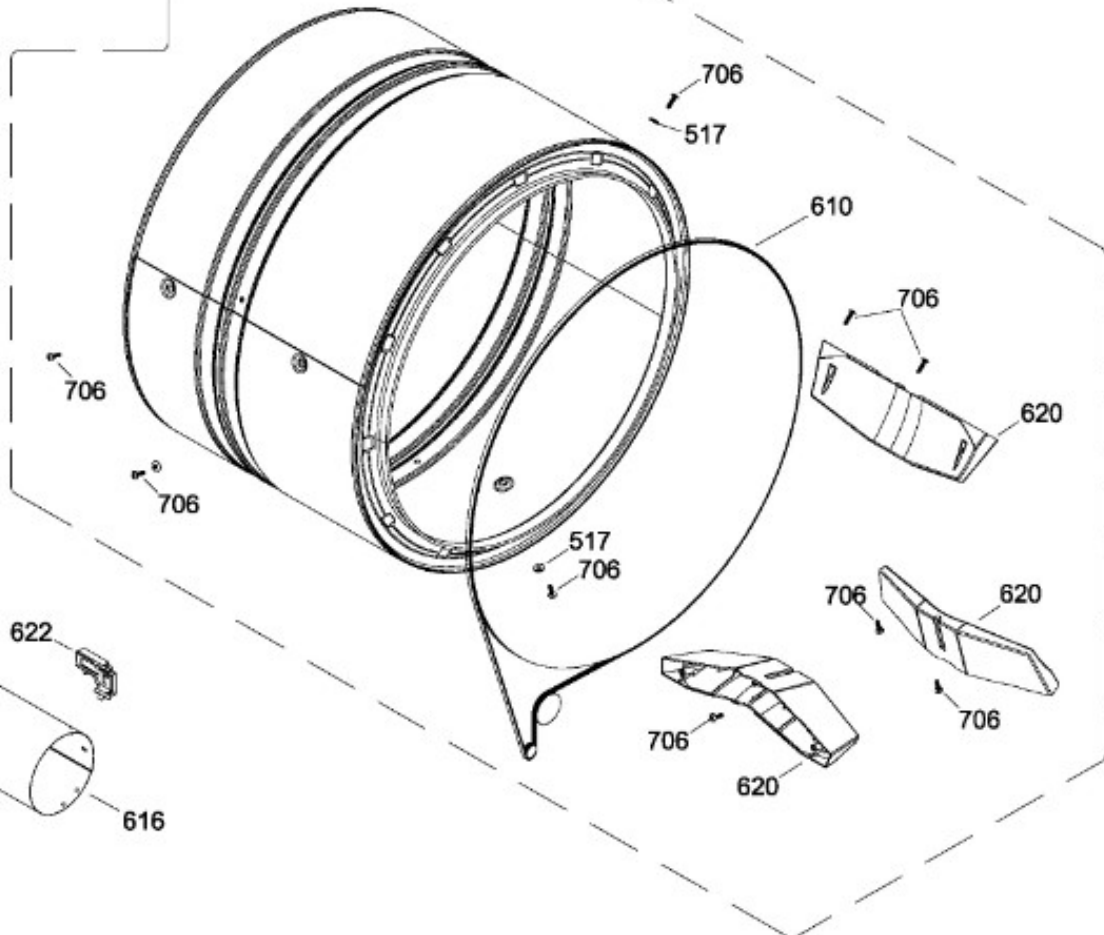
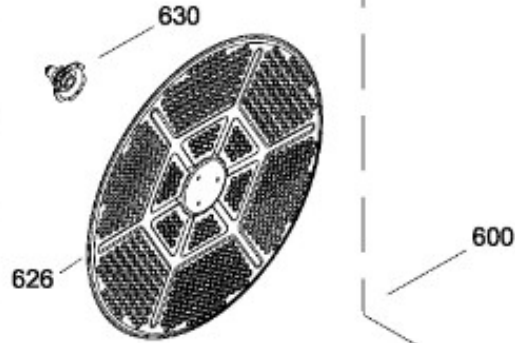
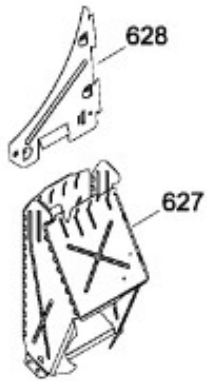
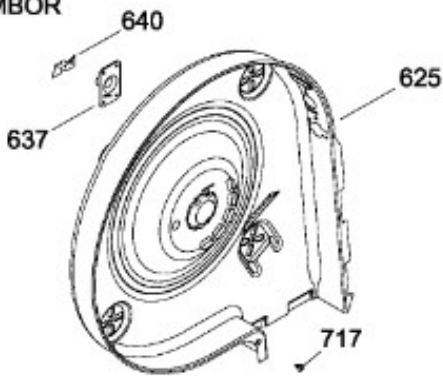
SurteRápido.com

Venta de Refacciones
Electrodomesticas

SECADORA SGL1656GXSPB0

TAMBOR

SGL1656GXSPB0



Distribuidor Autorizado

SurteRápido.com

Venta de Refacciones
Electrodomesticas

SECADORA SGL1656GXSPB0

Guía	Refacción	Descripción
1	WW02L00079	ENS. COPETE GRAFICOS
7	WW02L00129	ENS. PERILLA CONTROL
8	WW02L00133	ENS. PERILLA ROTATORIA
10	WW02F00068	RELOJ
14	WW02L00081	INTERRUPTOR ROTATORIO
15	WW02F00047	ENS. ARNES
16	WW02L00083	INTERRUPTOR DE INICIO
18	WW02L00086	INTERRUPTOR ROTATORIO
20	WW02L00137	BUJE PARA PEILLA
27	WW03F00344	ARNES PANEL CONTROL
28	WW02F00051	ARNES PBC
36	WW02F00092	TARJETA PC
100	WW02L00049	PANEL FRONTAL
101	WW02L00080	ENS. FILTRO MALLA
101	WW02F00616	ENS. FILTRO MALLA
102	WW02L00025	INTERRUPTOR PUERTA
106	WW02L00061	CUBIERTA DUCTO
110	WW02F00010	COJINETE SUP.
110	WW01L01430	COJINETE SUP.
111	WW02F00178	TRAMPA CONDUCTO
111	WW02L00103	TRAMPA CONDUCTO
111	WW02F00600	DUCTO
113	WW02L00139	FILTRO
113	WW02L00138	FILTRO
114	WW02L00145	SELLO PUERTA
115	WW02A00033	BEARING_SLIDE
116	WW02L00038	BEARING_SLIDE
120	WW02A00004	STRIKE
121	WW02A00051	ARNES
123	WW02A00056	STRIKE PLATE
124	WW02A00057	STRIKE PLATE
125	WW02F00088	SENSOR ROD
126	WW02A00052	ARNES
127	WW02A00067	LAMP
127	WW03F00458	LAMP

Distribuidor Autorizado

SurteRápido.com

Venta de Refacciones
Electrodomesticas

SECADORA SGL1656GXSPB0

Guía	Refacción	Descripción
128	WW02L00041	SELLO
129	WW02L00104	ENS. CLAVIJA
129	WW01F01584	ENS. CLAVIJA
130	WW02L00042	SELLO
131	WW02L00102	RETAINER GASKET
132	WW02L00039	SELLO
132	WW03F00354	SELLO
137	WW02F00128	DUCTO TRAMPA ENS CON SENSORES
137	WW02F00599	DUCTO TRAMPA ENS CON SENSORES
150	WW02L00088	SHOE RACK
150	WW02L00190	SHOE RACK
202	WW02L00052	PUERTA INTERIOR
202	WW02L00052	PUERTA INTERIOR
202	WW02L00052	PUERTA INTERIOR(BLANCA)
207	WW02F00032	ANILLO EXT.
208	WW02L00056	JALADERA
208	WW02L00055	JALADERA
209	WW02L00058	PANEL VIDRIO
213	WW02L00037	LATCH ASM.
216	WW02L00062	SELLO VENTANA
220	WW02L00029	BISAGRA
220	WW02L00028	BISAGRA
229	WW02L00101	SOPORTE VIDRIO
229	WW02L00101	SOPORTE VIDRIO
229	WW02L00101	SOPORTE VIDRIO
236	WW02A00065	BOTON BELLEZA
401	WW02L00073	CUBIERTA
404	WW02L00149	PANEL LATERAL
404	WW02L00149	PANEL LATERAL
404	WW02L00149	PANEL LATERAL
408	WW02F00076	BASTIDOR BASE
409	WW01L00421	LOGO GE
411	WW02L00142	PATA ESTABILIZADORA ENS.
416	WW02A00045	DEFLECTOR
416	WW02A00045	DEFLECTOR

Distribuidor Autorizado

SurteRápido.com

Venta de Refacciones
Electrodomesticas

SECADORA SGL1656GXSPB0

Guía	Refacción	Descripción
416	WW02A00045	DELFECTOR DE CALOR
417	WW02A00059	ENS. SOPORTE POST.
418	WW02L00108	ENS. SOPORTE FRONT.
420	WW02L00146	PANEL POST.
422	WW02F00022	CORD SET RETAINER
445	WW02F00091	CABLE TOMACORRIENTE
456	WW02A00037	BRIDE
500	WW02A00040	ABRAZADERA VENTILADOR
501	WW02A00073	VENTILADOR REDONDO
502	WW02A00012	CARCAZA ASPAS
502	WW02L00013	CARCAZA ASPAS
502	WW02L00433	CAJA DEL VENTILADOR
503	WW02F00098	PLATO MOTOR
504	WW02F00027	SOPORTE MOTOR
506	572D559P006	CONDUCTO DE ESCAPE
510	WW02F00186	ENS. MOTOR
510	WW02A00191	ENS. MOTOR
514	WW02A00008	ENS. BRAZO AUXILIAR
514	WW03F00350	ENS. BRAZO AUXILIAR
517	WW02A00002	ARANDELA
520	WW02F00031	CLIP MOTOR
524	WW02A00041	ABRAZADERA VENTILADOR
525	WW02A00003	TAPA
526	WW02L00033	ESPACIADOR ESPUMADO
532	WW02F00003	CORREA MOTOR
532	WW02A00232	CORREA MOTOR
534	WW02A00026	EMPAQUE ESCAPE SOPLADOR
534	WW02F00785	EMPAQUE ESCAPE SOPLADOR
570	WW02A00058	PIPE & LUG ASM.
570	WW03F00137	PIPE & LUG ASM.
571	WW02A00020	QUEMADORES
572	WW02F00002	ALLUME-GAZ
572	WW02F00740	ALLUME-GAZ
572	WW01F01432	ENCENDEDOR INCANDESCENTE
573	WW02F00077	GAS VALVE BRACKET

Distribuidor Autorizado

SurteRápido.com

Venta de Refacciones
Electrodomesticas

SECADORA SGL1656GXSPB0

Guía	Refacción	Descripción
573	WW03A00125	GAS VALVE BRACKET
574	WW02F00099	VALVE GAS
575	WW02F00079	VALVULA Y QUEMADOR ENS
578	WW01F01529	VALVULA Y TUBO PARA GAS LP
600	WW02F00057	ENS. TAMBOR
610	WW02F00028	BANDA SECADORA
610	WW02F00854	BANDA SECADORA
616	WW03F00345	TUBO DE COMBUSTION
620	WW02L00143	BAFFLE
622	WW02F00001	DETECTOR TERMOSTATO
625	WW02L00014	DIFUSOR GAS
625	WW03F00095	DIFUSOR GAS
626	WW02F00030	DIFUSOR
627	WW02F00097	DUCTO DE TRANSICION
628	WW02F00029	DIFUSSER PLATE
630	WW02A00019	SOPORTE Y FLECHA ENSAMBLE
637	WW02A00005	RETENEDOR RODAMIENTO
640	WW02F00026	GROUND STRAP ASM.
640	WW01A00443	GROUND STRAP ASM.
640	WW02F00833	GROUND STRAP ASSEMBLY
705	WW02A00028	TORNILLO
706	WW02A00031	TORNILLO
712	WW02A00029	TORNILLO
712	WW02A00211	TORNILLO
714	WW02A00071	TORNILLO
715	WW02A00070	TORNILLO
716	WW02A00032	TORNILLO
717	WW02A00030	TORNILLO
717	WW02A00211	TORNILLO
718	WW01A00001	TORNILLO
725	WW02A00069	SCREW
726	WW02A00027	SCREW