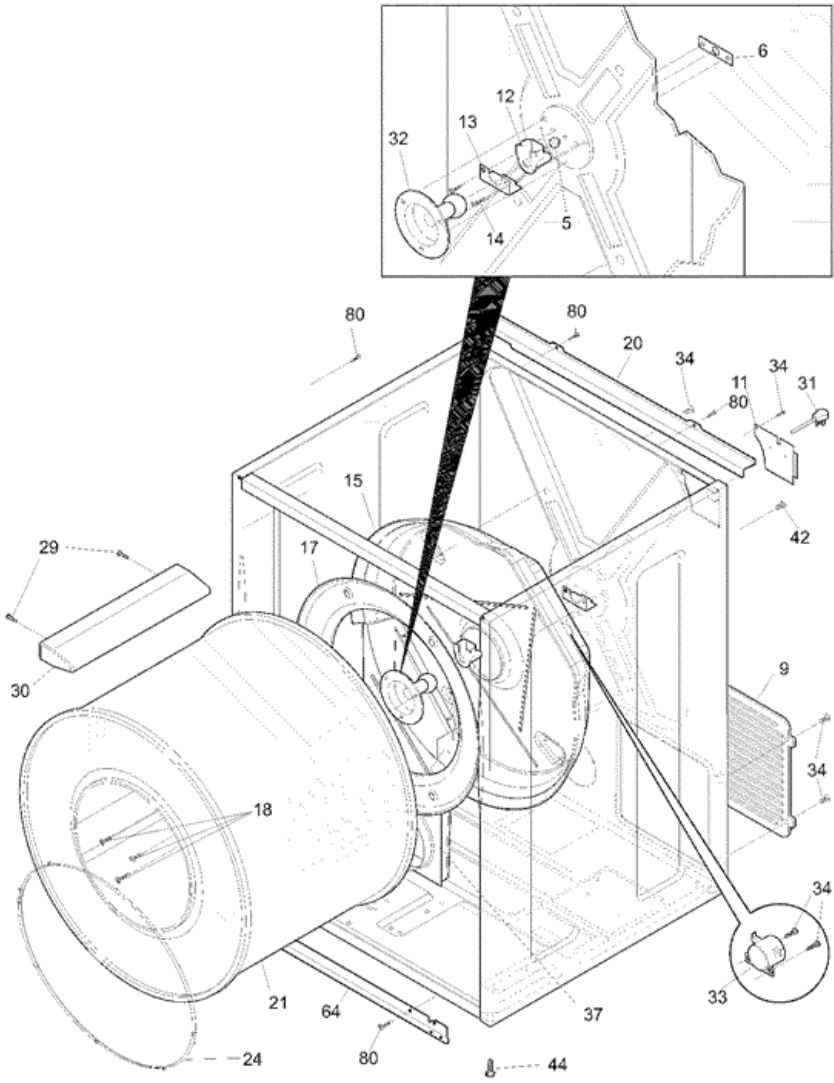


**SGQ2152HS0 TAMBOR**





## SGQ2152HS0 TAMBOR

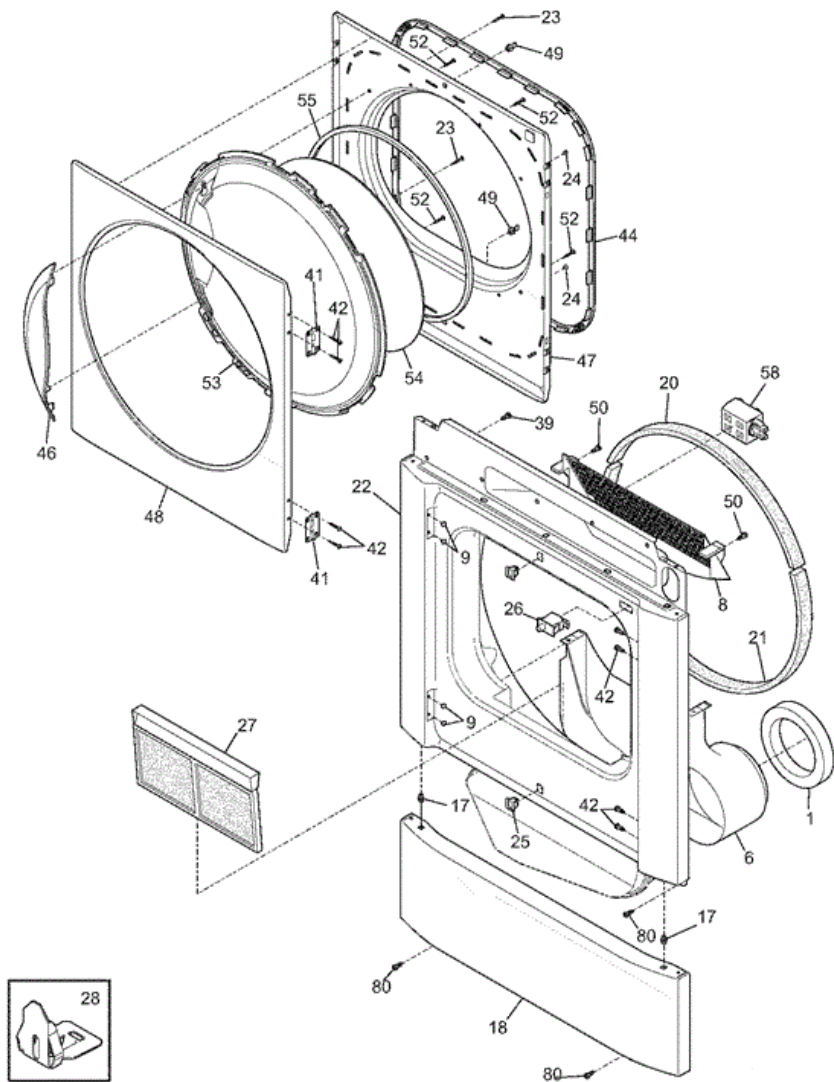
5	5303281019	BALL,GROUNDING
6	5303281020	CLIP,BALL ,STEEL ,FLAT NUT
9	131793200	PANEL,SERVICE ACCESS ,REAR
11	131363200	COVER-TERMINAL BLOCK
12	131825900	BEARING-DRUM SUPPORT
13	131724300	BRACKET,BEARING SUPPORT
14	131205400	SCREW,BRACKET MTG. ,10-16B X 1.375 ,CR/SQ DRIVE
15	131776500	HOUSING,HEATER,W/DUCT
17	3204254	BAFFLE,HEATER SHIELD
18	131477000	SCREW,10-16AB X 0.375
20	134166500	BRACKET,TOP PANEL MTG. ,REAR
21	134122592	DRUM,DRYER ,STNLS STL BACK
24	131963900	GLIDE-DRUM
29	131382300	SCREW,QUADREX HEAD ,10-14 X 1.00 ,
30	5303201200	VANE,STRAIGHT
32	131777700	SHAFT,DRUM SUPPORT ,BALLHITCH
34	131243700	SCREW, PAN HEAD, 8-18AB X 0.375
37	131952100	DUCT-HEAT
42	134154100	SCREW,HEX WASHER HEAD ,10-32 X 0.375 ,GROUND
44	134344900	LEVELING LEG,SCREW
64	134360100	BRACKET,SVCE PANEL MTG.
80	134547800	SCREW,10-16AB X 0.375
F31	134501200	POWER CORD,ELECTRIC SVCE
F33	5308015399	THERMOSTAT - SAFETY
FNI	5303281153	REAR BEARING KIT, INCLUDES 5, 6, 12, 13, 14, 18, 32
NI	5303307893	LUBRICANT, HIGH TEMP

Distribuidor Autorizado

SurteRápido.com

Venta de Refacciones  
Electrodomesticas

## SGQ2152HS0 PUERTA

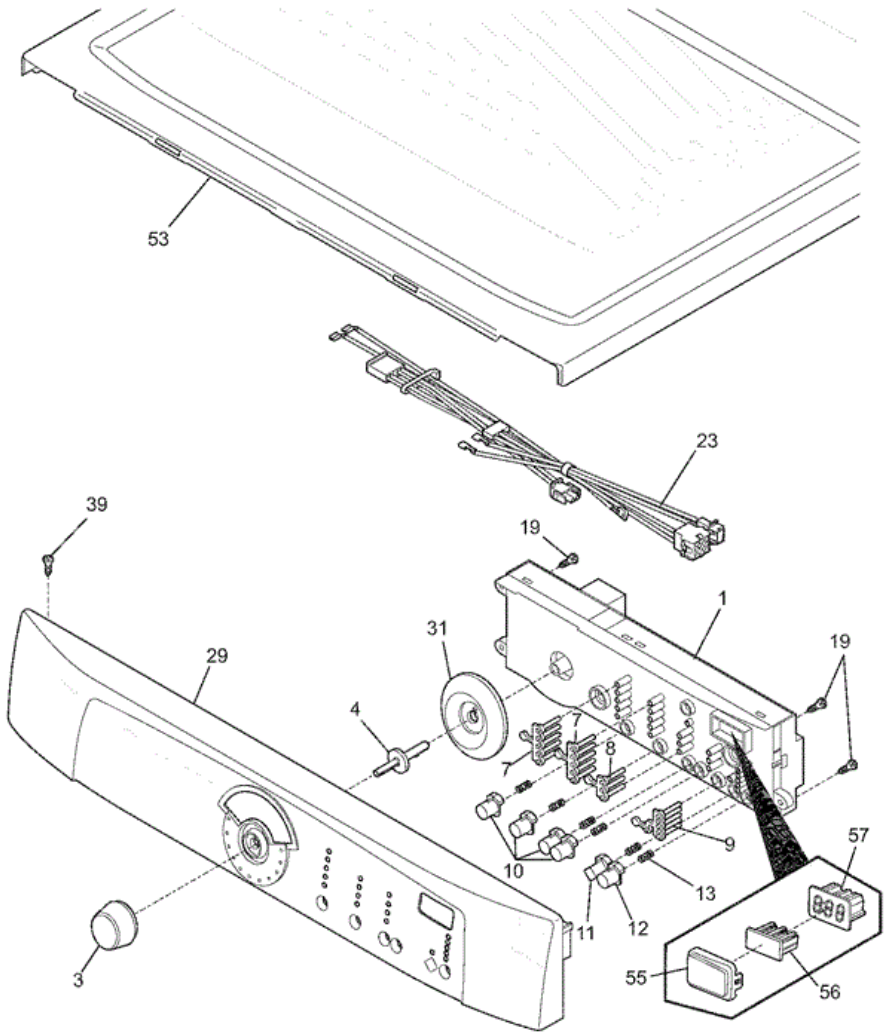




## SGQ2152HS0 PUERTA

1	134417000	SEAL,AIR DUCT
6	134382900	DUCT,AIR
9	131633200	PLUG,WHITE
17	134408700	CLIP,ASSEMBLY
18	134321702	PANEL,FRONT SERVICE ,WHITE
20	134440200	SEAL,FELT ,UPPER
21	134134700	SEAL,FELT ,LOWER
22	134915502	PANEL,FRONT ,WHITE ,W/LAMP HOLE
23	134430300	SCREW,INDT PAN HEAD ,10-14 X 0.625 ,QUADREX
24	134465100	PLUG,HANDLE HOLE
25	131658800	DOOR CATCH,UPPER
27	131450300	TRAP,LINT BLADE ASSY
28	134440000	CLIP,GUIDE
39	131205100	SCREW,NO.8 PAN HEAD ,10-10B X 0.500 ,CR/SQ DRIVE
41	134412400	HINGE,DOOR
42	134156200	SCREW,FLAT HEAD ,8-18AB X 0.44 ,QUAD DRIVE
44	134413300	GASKET,DOOR SEAL
46	134472202	HANDLE,DOOR
47	134913304	PANEL,INNER DOOR ,WHITE
48	134913103	PANEL,OUTER DOOR ,WHITE
49	134548100	DOOR STRIKE
50	131303300	SCREW,PAN HEAD ,10-16AB X 0.500 ,LOCKING
52	134529600	SCREW,INDT PAN HEAD ,8-18AB X 0.375
53	134443202	ADAPTER,DOOR GLASS RING
54	134611800	GLASS,INNER DOOR
55	134580300	GASKET,DOOR GLASS ,INNER
80	134547800	SCREW,10-16AB X 0.375
F26	134813601	SWITCH,DOOR ,RECTANGLE ,WHITE ,WITH DRUM
F58	131843500	LAMP ASSY,DRUM LIGHT ,W/MTG BRACKET
F8	131845802	COVER,LINT HOUSING ,W/MOIST SENSOR
FNI	131862800	LAMP
NI	5308027429	ADHESIVE, HIGH TEMP

**SGQ2152HS0 TABLERO**

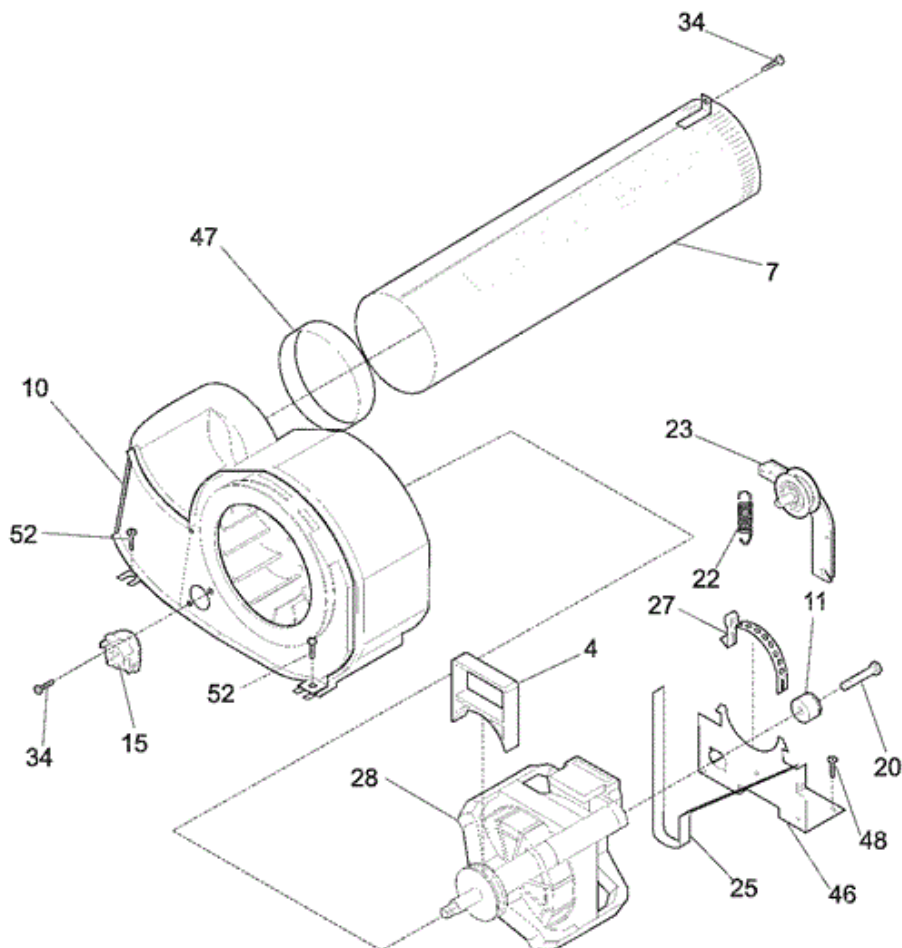




## SGQ2152HS0 TABLERO

3	134471500	KNOB,PROGRAM
4	134347700	PIN,PROGRAM KNOB
7	134429100	LIGHT PIPE,ARRAY ,1 ROW OF 5
8	134429200	LIGHT PIPE,ARRAY ,2 ROW OF 4
9	134429400	LIGHT PIPE,ARRAY ,4 START GROUP
10	134447100	PUSH BUTTON,NO.1
11	134447201	PUSH BUTTON,NO.2
12	134447301	PUSH BUTTON,NO.3
13	134349400	SPRING,PUSH BUTTON
19	134402900	SCREW,PHILLIPS ,6-19 X 0.650
29	137039600	PANEL,CONTROL CONSOLE ,WHITE
31	134441400	BEZEL,KNOB FLANGE
39	134178901	SCREW,8-18AB X 0.455
53	134365000	PANEL,WORK TOP ,WHITE
55	134429000	LENS,DIGITAL DISPLAY
56	134503400	LIGHT PIPE,DIGITAL DISPLAY
F1	137009000	CONTROL BOARD,PRINTED CIRCUIT ,WITH HOUSING
F23	134394400	WIRING HARNESS,CONTROLS
F57	134503300	DISPLAY,DIGITAL
FNI	134491500	WIRING HARNESS,MAIN

**SGQ2152HS0 MOTOR**



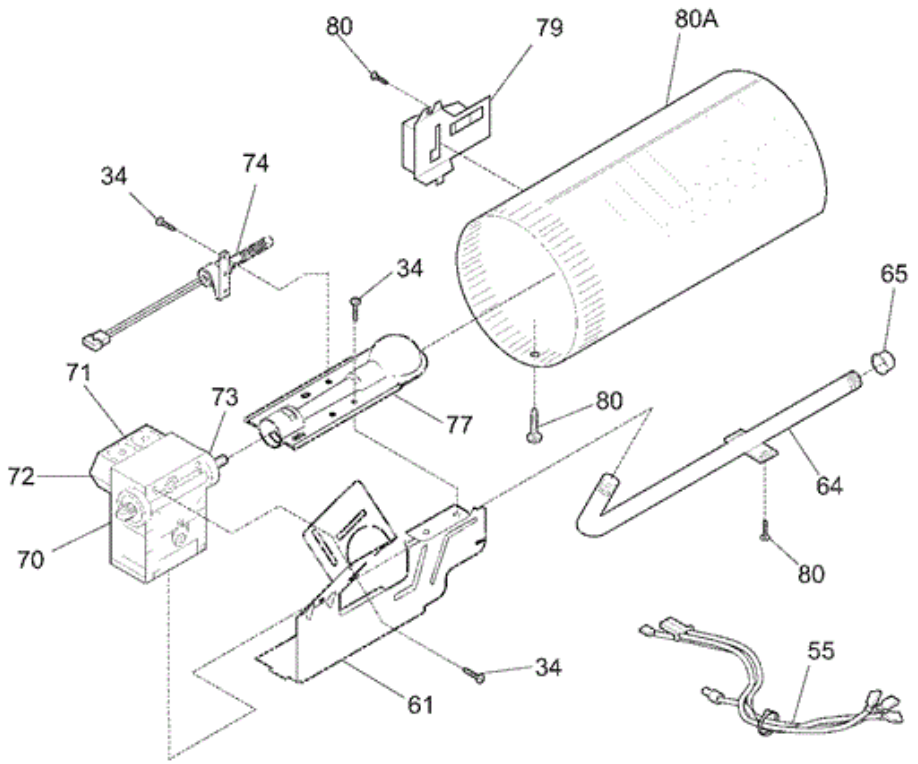


## SGQ2152HS0 MOTOR

4	131435200	LOCK,BLOWER HOUSING
7	131451600	TUBE,EXHAUST ,REAR ,W/MTG BRACKET
11	131749800	SPACER-IDLER
20	131017900	SCREW,HEX HEAD ,1/4-20T X 1.25 ,SPACER
22	131601000	SPRING,IDLER ARM
27	134242400	CLAMP,MOTOR MTG.
34	131243700	SCREW, PAN HEAD, 8-18AB X 0.375
46	134203400	BRACKET,MOTOR MTG
47	131633300	SEAL-EXHAUST TUBE
48	134547800	SCREW,10-16AB X 0.375
52	131202300	SCREW,10-16AB X 0.625
F10	131775600	BLOWER ASSY,HOUSING ,W/COVER & WHEEL
F15	134587700	THERMISTOR,CONTROL
F23	131863007	IDLER ARM ASSY,W/PULLEY
F25	134503600	BELT,DRYER
F28	131560100	MOTOR & PULLEY ASSY
NI	131456800	TUBE,EXHAUST ,SIDE/BOTTOM ,OPTIONAL KIT



**SGQ215HS0 QUEMADOR**





## SGQ2152HS0 QUEMADOR

34	131243700	SCREW, PAN HEAD, 8-18AB X 0.375
61	134122000	BRACKET,BURNER MTG
64	137011800	PIPE,GAS ,RIGHT ANGLE
65	8015112	CAP-PIPE
80	134547800	SCREW,10-16AB X 0.375
F55	134389600	WIRING HARNESS,GAS VALVE
F70	134169200	VALVE,LP GAS
F71	5300622602	SOLENOID,SECONDARY COIL
F72	5308015680	SOLENOID,BOOSTER COIL
F73	5303207410	ORIFICE,NATURAL GAS ,SIZE 44
F74	134192000	IGNITER ASSY
F77	134216600	BURNER ASSY
F79	5303281135	SENSOR,RADIANT
F80A	134200801	TUBE,BURNER ,RIVETED