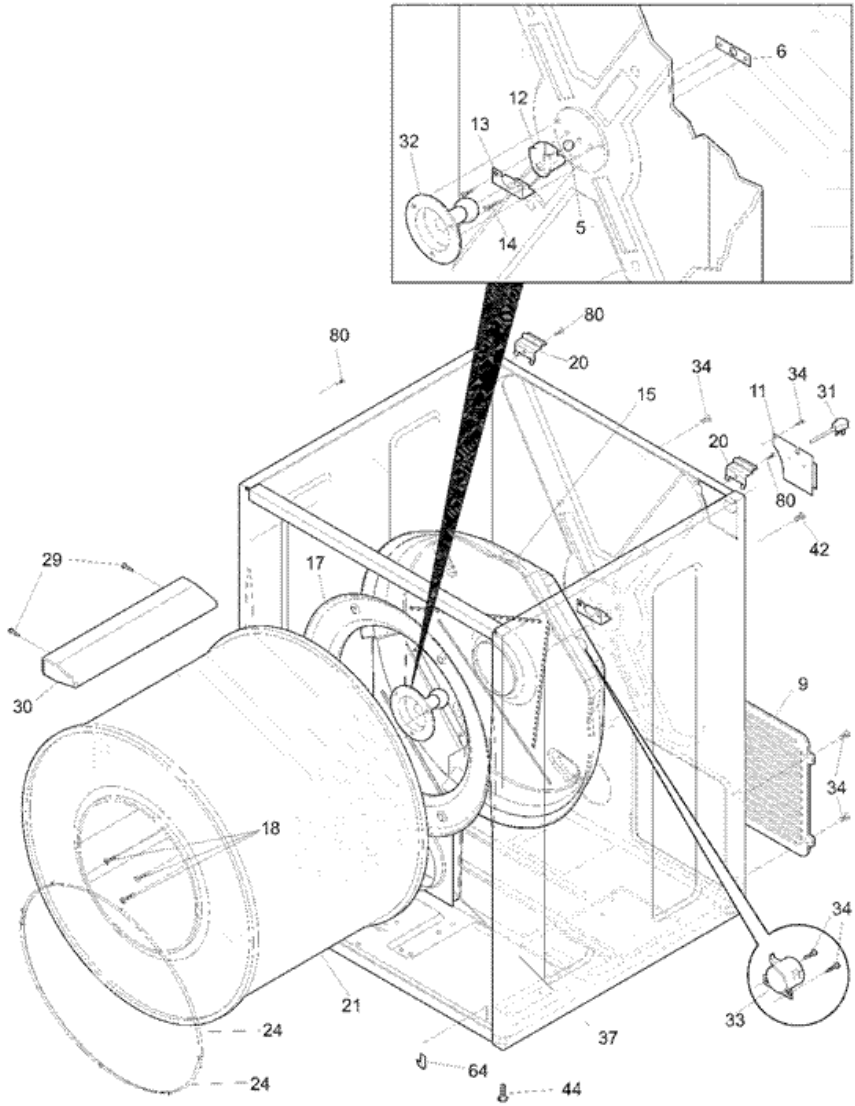


**SGR231HS0 TAMBOR**

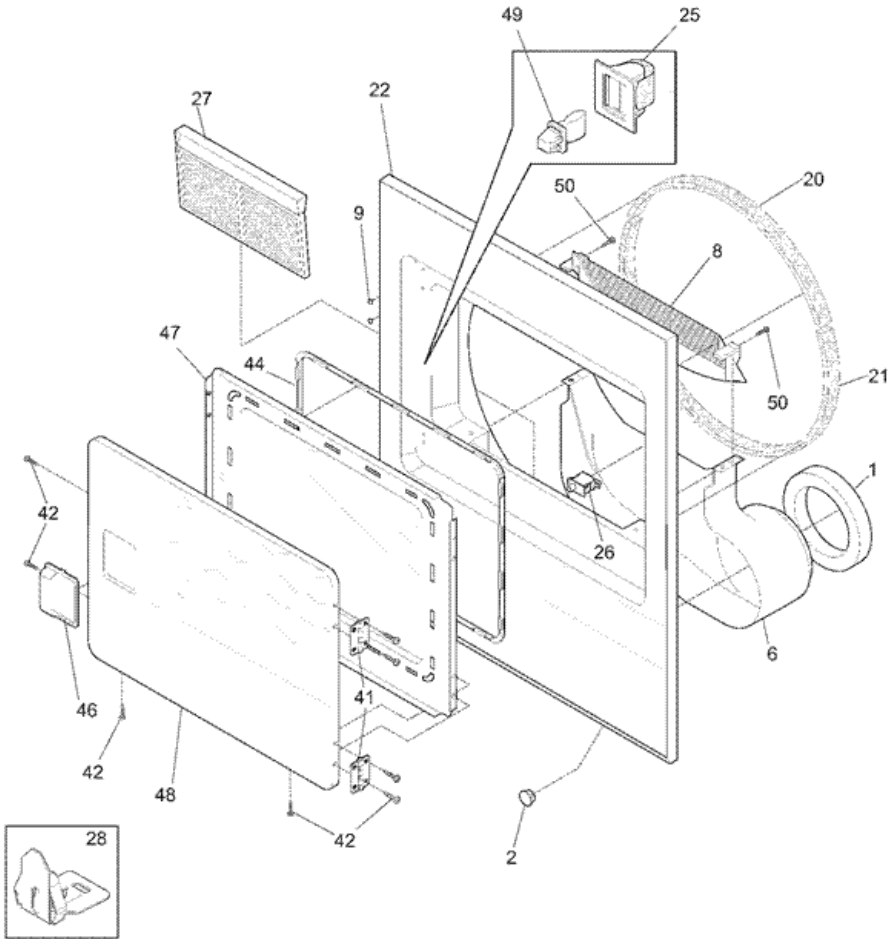




## SGR231HS0 TAMBOR

5	5303281019	BALL, GROUNDING (S/P)
6	5303281020	CLIP, BALL, STEEL, FLAT NUT (S/P)
9	131793200	PANEL, SERVICE ACCESS, REAR (S/P)
11	131363200	COVER, TERMINAL BLOCK (S/P)
12	131825900	BEARING, DRUM SUPPORT
13	131724300	BRACKET, BEARING SUPPORT (S/P)
14	131205400	SCREW, BRACKET MTG., 10-16B X 1.375 (S/P)
15	131776500	HOUSING, HEATER, W/DUCT (S/P)
17	3204254	BAFFLE, HEATER SHIELD (S/P)
18	131477000	SCREW, 10-16AB X 0.375 (S/P)
20	131469100	BRACKET, HINGE, REAR, TOP PANEL MTG. (S/P)
21	134122532	DRUM, DRYER, GALVANIZED STL (S/P)
24	131963900	GLIDE, DRUM (S/P)
29	131382300	SCREW, QUADREX HEAD, 10-14 X 1.00
30	5303201200	VANE, STRAIGHT (S/P)
32	5303281153	SHAFT, DRUM SUPPORT, BALLHITCH
34	131243700	SCREW, PAN HEAD, 8-18AB X 0.375 (S/P)
37	131952100	DUCT, HEAT (S/P)
42	134154100	SCREW, HEX WASHER HEAD, 10-32 X 0.375 (S/P)
44	134158000	LEVELING LEG, SCREW (S/P)
64	131704600	CLIP, FRONT, CABINET BOTTOM (S/P)
80	134547800	SCREW, 10-16AB X 0.375 (S/P)
NI	5303307893	LUBRICANT, HIGH TEMP (S/P)
FNI	5303281153	REAR BEARING KIT, INCLUDES 5, 6, 12, 13, 14, 18, 32
FNI	134101400	TERMINAL BLOCK, MAIN (S/P)
F33	5308015399	THERMOSTAT, SAFETY
F31	134501200	POWER CORD, ELECTRIC SVCE (S/P)

**SGR231HS0 PUERTA**

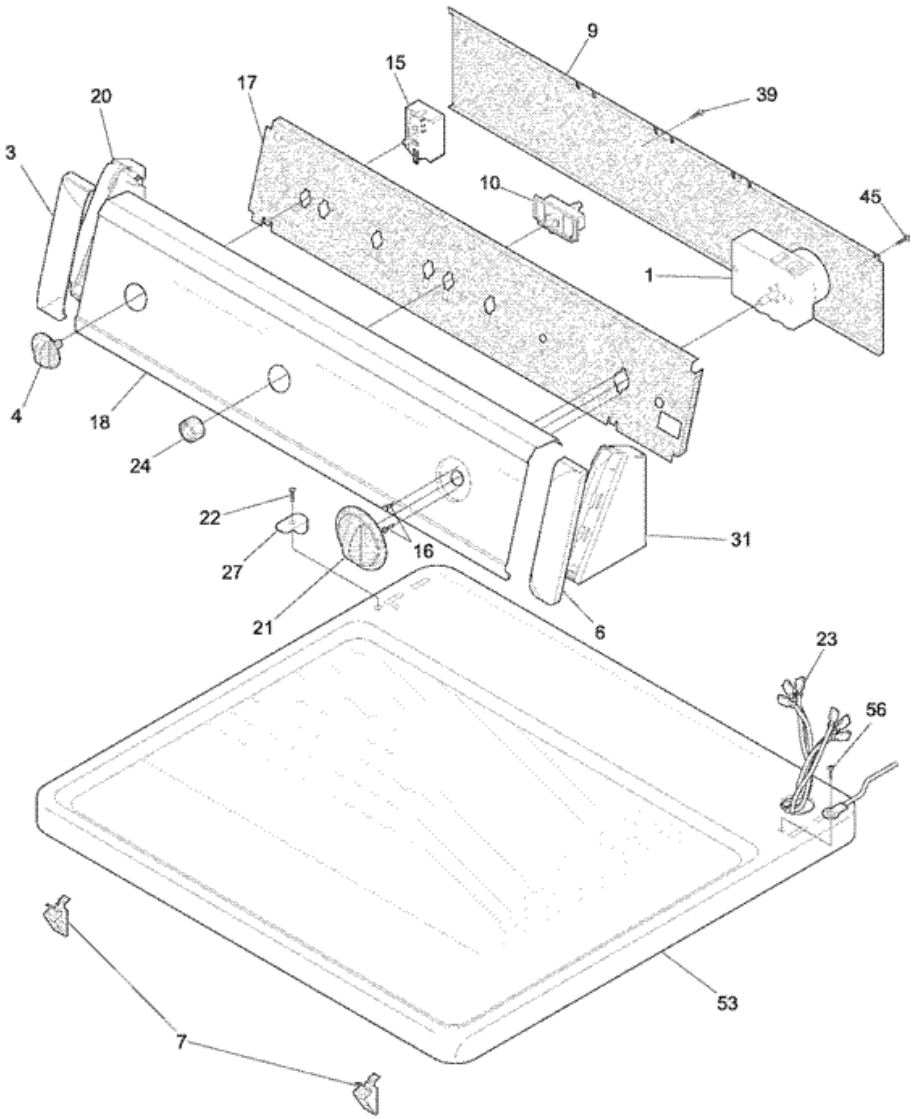




## SGR231HS0 PUERTA

1	134417000	SEAL, AIR DUCT <b>(S/P)</b>
2	131397000	PLUG, DOME, WHITE <b>(S/P)</b>
6	131621900	DUCT, AIR <b>(S/P)</b>
8	131622202	COVER, LINT HOUSING
9	131633200	PLUG, WHITE <b>(S/P)</b>
20	5303937182	SEAL, FELT, UPPER
21	5303937183	SEAL, FELT, LOWER
22	5304412847	PANEL, FRONT, WHITE, W/LAMP HOLE <b>(S/P)</b>
25	131658800	DOOR CATCH, UPPER <b>(S/P)</b>
27	131450300	TRAP, LINT BLADE ASSY
28	5303281074	CLIP, GUIDE
41	134222900	HINGE, DRYER DOOR <b>(S/P)</b>
42	134156200	SCREW, FLAT HEAD, 8-18AB X 0.44 <b>(S/P)</b>
44	131129900	GASKET, DOOR SEAL <b>(S/P)</b>
46	131644700	HANDLE, DOOR, WHITE <b>(S/P)</b>
47	131844104	PANEL, INNER DOOR, WHITE <b>(S/P)</b>
48	131789303	PANEL, OUTER DOOR, WHITE <b>(S/P)</b>
49	5303207102	DOOR STRIKE <b>(S/P)</b>
50	131302800	SCREW, PAN HEAD, 10-16AB X 0.500 <b>(S/P)</b>
NI	131870700	PLUG, LIGHT HOLE <b>(S/P)</b>
NI	131474700	INSULATION <b>(S/P)</b>
F26	134813600	SWITCH, DOOR <b>(S/P)</b>
NI	5308027429	· ADHESIVE, HIGH TEMP <b>(S/P)</b>

**SGR231HS0 TABLERO**

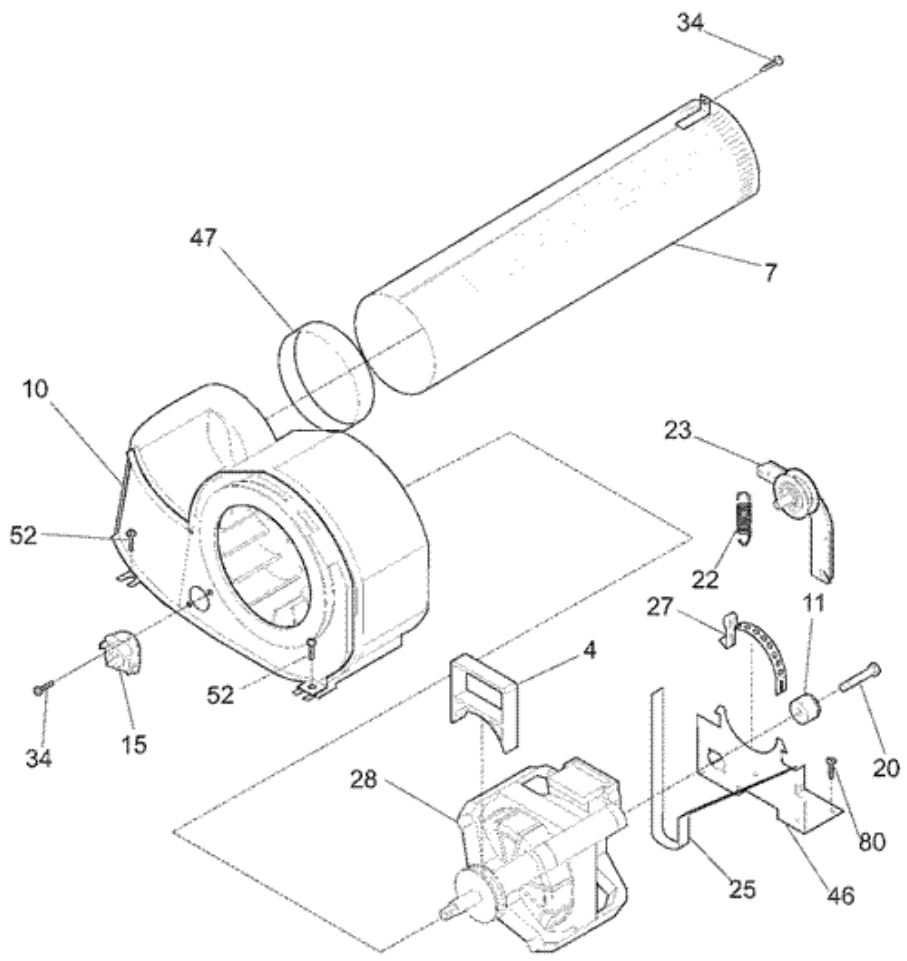




## SGR231HS0 TABLERO

1	5303297139	TIMER, DRYER
3	131122611	COVER, END CAP, WHITE, LH (S/P)
4	131141105	KNOB, ROTARY, WHITE/DK GRAY
6	131122601	COVER, END CAP, WHITE, RH (S/P)
7	3205821	CLIP, TOP-TO-FRONT (S/P)
9	134088700	PANEL, CONSOLE BACK (S/P)
16	134034300	SCREW, PAN HD PHILLIPS, 8-18B X 0.250 (S/P)
17	134487900	BRACKET, CONTROL MTG (S/P)
18	137001800	PANEL, TRIMPLATE, WHITE, CONSOLE FRONT (S/P)
20	131122714	END CAP, WHITE, LH (S/P)
21	134011703	KNOB, TIMER, WHITE/GRAY
22	131266330	SCREW, 8-18 X 1.250 (S/P)
24	131111501	BUTTON, START SWITCH, WHITE, PUSH TYPE (S/P)
27	131197000	CLIP, CONSOLE MTG (S/P)
31	131122701	END CAP, WHITE, RH
39	131243700	SCREW, PAN HEAD, 8-18AB X 0.375 (S/P)
45	131205100	SCREW, NO.8 PAN HEAD, 10-10B X 0.500, (S/P)
53	134086802	PANEL, DRYER TOP, WHITE, CONSOLE MTG (S/P)
56	131243800	SCREW, PAN HD LOCKING, 8-32CA X 0.375, (S/P)
F10	131469000	SWITCH, PUSH/START
FNI	134101400	· TERMINAL BLOCK, MAIN (S/P)
F23	134101600	WIRING HARNESS (S/P)
F15	134398400	SWITCH, TEMP SELECTOR, 3 POSITION (S/P)

**SGR231HS0 MOTOR**



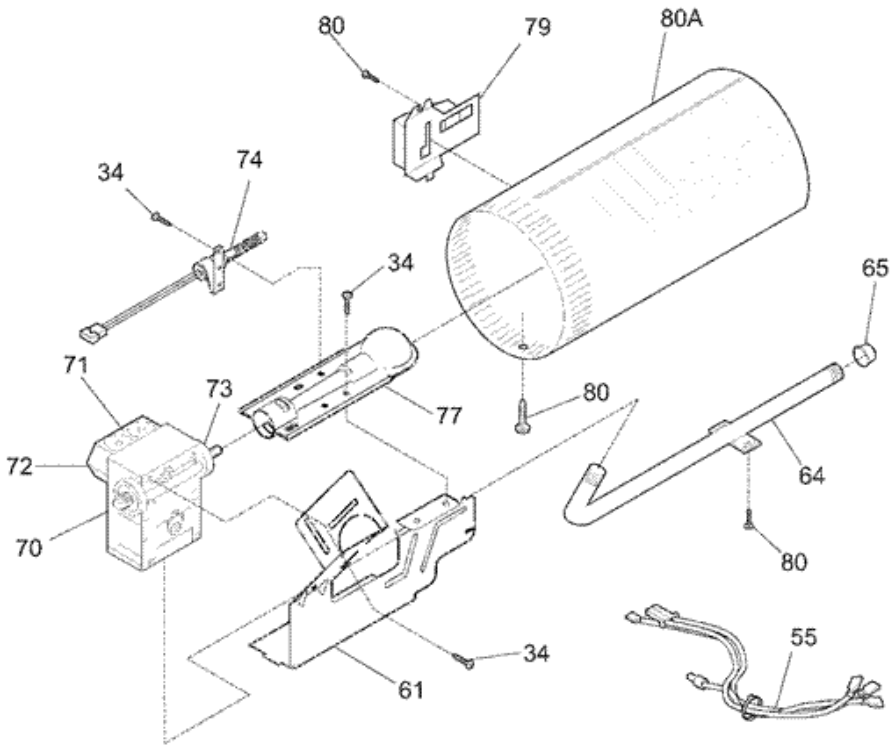


## SGR231HS0 MOTOR

4	131435200	LOCK, BLOWER HOUSING <b>(S/P)</b>
7	131451600	TUBE, EXHAUST, REAR, W/MTG BRACKET <b>(S/P)</b>
11	131749800	SPACER, IDLER <b>(S/P)</b>
20	131017900	SCREW, HEX HEAD, 1/4-20T X 1.25 <b>(S/P)</b>
22	131601000	SPRING, IDLER ARM <b>(S/P)</b>
27	134242400	CLAMP, MOTOR MTG. <b>(S/P)</b>
34	131243700	SCREW, PAN HEAD, 8-18AB X 0.375 <b>(S/P)</b>
46	134203400	BRACKET, MOTOR MTG
47	131633300	SEAL, EXHAUST TUBE <b>(S/P)</b>
52	131202300	SCREW, 10-16AB X 0.625 <b>(S/P)</b>
80	134547800	SCREW, 10-16AB X 0.375 <b>(S/P)</b>
F15	131298400	THERMOSTAT, TEMP CONTROL
F25	134503600	BELT, DRYER
F10	131775600	BLOWER ASSY, HOUSING, W/COVER & WHEEL
F23	131863000	IDLER ARM ASSY, W/PULLEY
NI	131456800	TUBE, EXHAUST, SIDE/BOTTOM <b>(S/P)</b>
F28	131560100	MOTOR & PULLEY ASSY



**SGR231HS0 QUEMADOR**





## SGR231HS0 QUEMADOR

34	131243700	SCREW, PAN HEAD, 8-18AB X 0.375 <b>(S/P)</b>
61	134122000	BRACKET, BURNER MTG <b>(S/P)</b>
64	137011800	PIPE, GAS, RIGHT ANGLE <b>(S/P)</b>
65	8015112	CAP, PIPE <b>(S/P)</b>
80	134547800	SCREW, 10-16AB X 0.375 <b>(S/P)</b>
F71	5303931775	SOLENOID, SECONDARY COIL
F72	5303931775	SOLENOID, BOOSTER COIL
F74	134393700	IGNITER ASSY <b>(S/P)</b>
F80A	134200801	TUBE, BURNER, RIVETED <b>(S/P)</b>
F55	134389600	WIRING HARNESS, GAS VALVE <b>(S/P)</b>
F73	5303207410	ORIFICE, NATURAL GAS, SIZE 44 <b>(S/P)</b>
F79	5303281135	SENSOR, RADIANT <b>(S/P)</b>
F70	134169200	VALVE, LP GAS <b>(S/P)</b>
F77	134216600	BURNER ASSY <b>(S/P)</b>