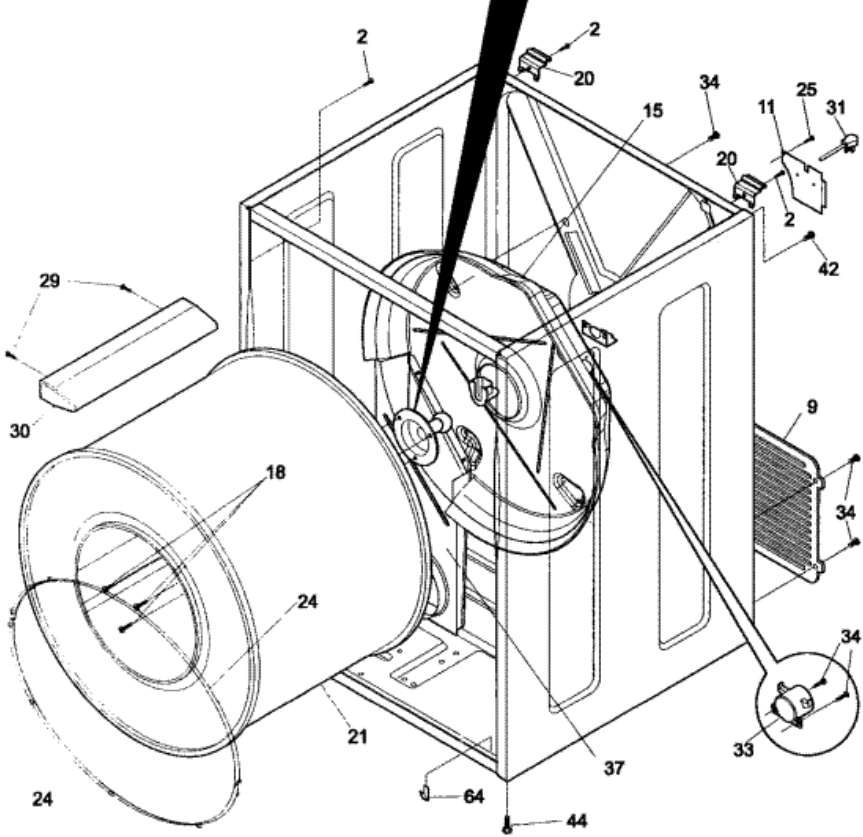
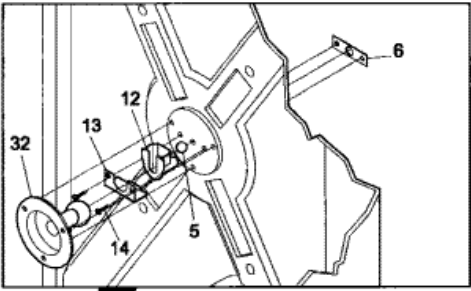


**SGR341AQ1 TAMBOR**





## SGR341AQ1 TAMBOR

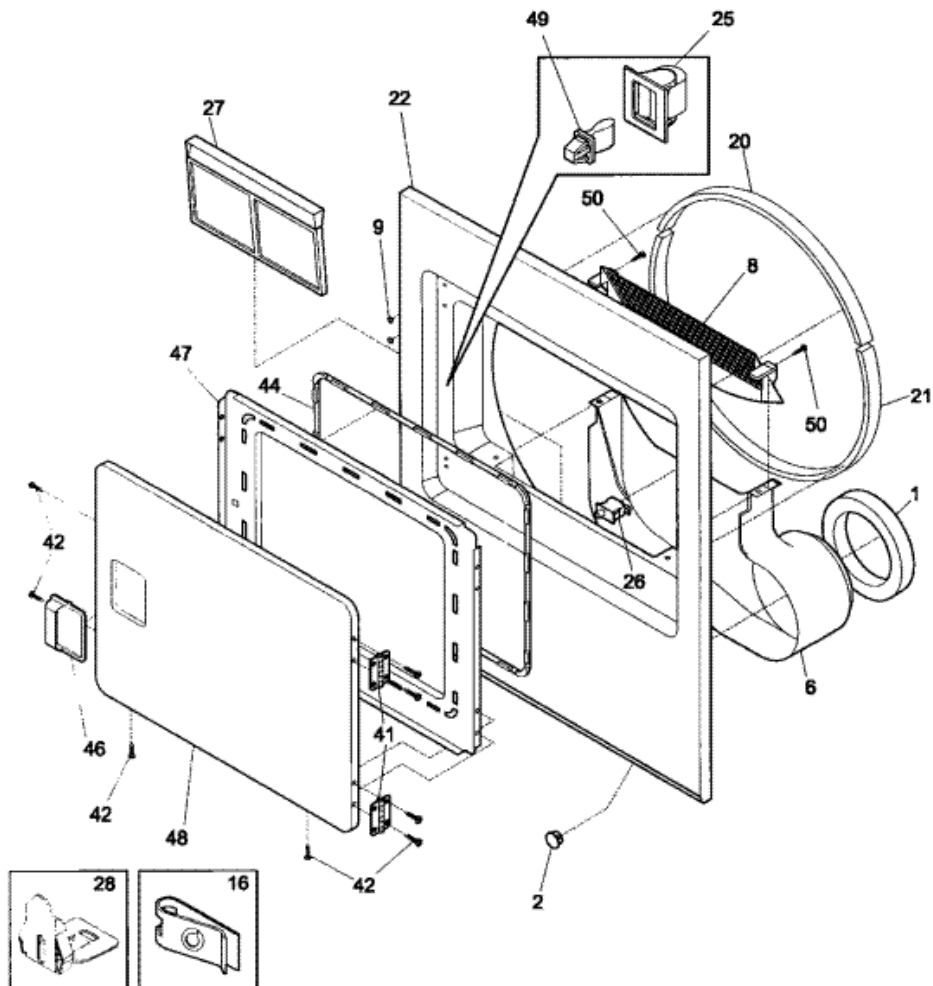
|     |            |  |
|-----|------------|--|
| 2   | 131168200  | SCREW,8-18 X 0.31 ,12 (S/P)            |
| 5   | 5303281019 | BALL (S/P)                             |
| 6   | 5303281020 | CLIP-BALL (S/P)                        |
| 9   | 131793201  | PANEL-ACCESS (S/P)                     |
| 11  | 131363200  | COVER-TERM BLOCK (S/P)                 |
| 12  | 131825900  | BEARING-DRUM SUPPORT                   |
| 13  | 131724300  | BRACKET-BEARING (S/P)                  |
| 14  | 131205400  | SCREW-BRACKET,10-16B X 1.375 (S/P)     |
| 18  | 131477000  | SCREW-SHAFT&BAFFLE, (S/P)              |
| 20  | 131469100  | BRACKET-HINGE (S/P)                    |
| 21  | 134122532  | ASMY-DRUM GALVANIZED,21 (S/P)          |
| 24  | 131963900  | GLIDE-DRUM                             |
| 25  | 5303015671 | SCREW,8-18 X .375 (S/P)                |
| 29  | 131382300  | SCREW-VANE,QUADREX HEAD (S/P)          |
| 30  | 5303201200 | VANE                                   |
| 32  | 5303281153 | ASMY-SHAFT (BALLHITCH)                 |
| 34  | 131243700  | SCREW,PAN HEAD (S/P)                   |
| 37  | 131952100  | DUCT-HEAT (S/P)                        |
| 42  | 131301100  | SCREW-GROUND CAB,HEX WASHER HEAD (S/P) |
| 44  | 131527400  | FOOT-CABINET (S/P)                     |
| 64  | 131704600  | CLIP (S/P)                             |
| F15 | 131776500  | HOUSING, GAS HEATER ASSY, W/SEAL (S/P) |
| F31 | 134501200  | SERVICE CORD-GAS DRYER (NOM) (S/P)     |
| F33 | 5308015399 | THERMOSTAT-SAFETY                      |
| NI  | 5303281153 | REAR BEARING KIT                       |
| NI  | 5303307893 | LUBRICANT, HIGH TEMP (S/P)             |

Distribuidor Autorizado

SurteRápido.com

Venta de Refacciones  
Electrodomesticas

## SGR341AQ1 PUERTA





## SGR341AQ1 PUERTA

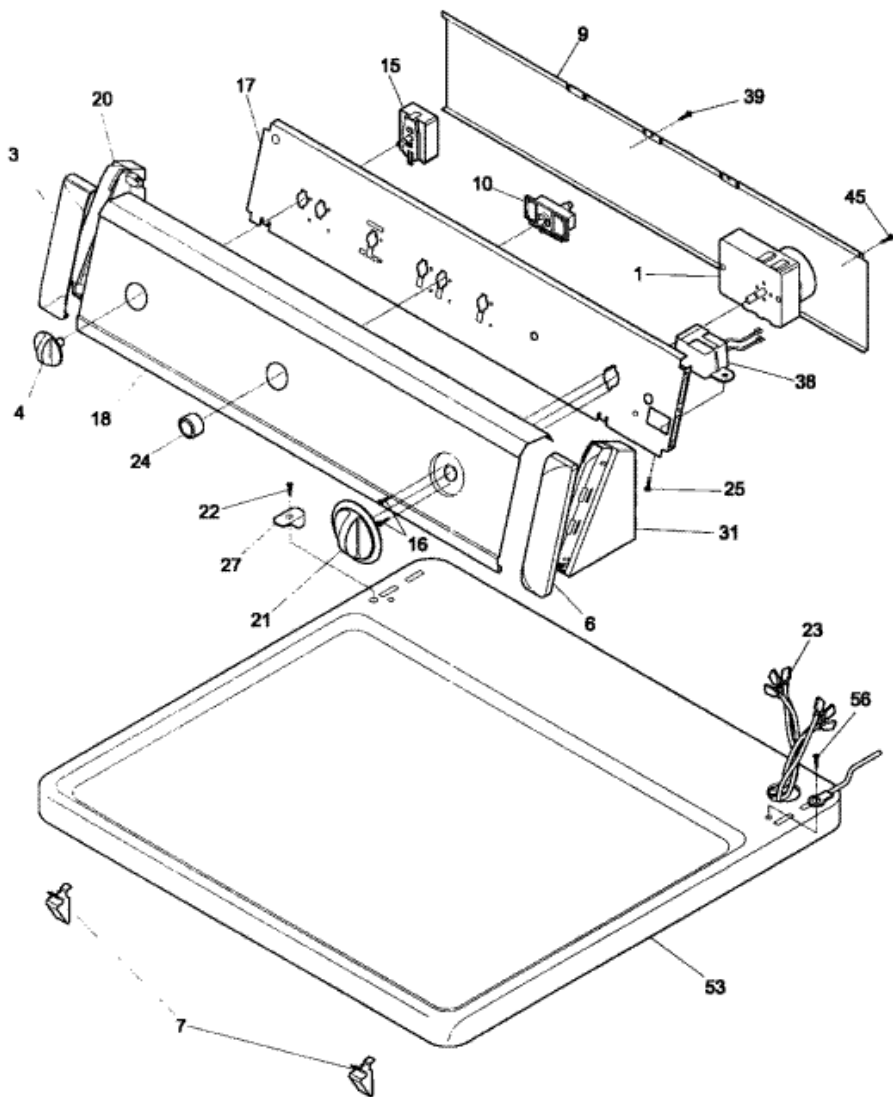
|     |            |                                      |
|-----|------------|--------------------------------------|
| 1   | 134417000  | SEAL-AIR DUCT 2.5NO. LOW PERM (S/P)  |
| 2   | 131397002  | PLUG-DOME-BISQUE (S/P)               |
| 6   | 131621900  | DUCT-AIR (S/P)                       |
| 8   | 131622202  | COVER-LINT HOUSING                   |
| 9   | 131633202  | HOLE-PLUG BISQUE (S/P)               |
| 16  | 131063700  | CLIP-WIRING (S/P)                    |
| 20  | 5303937182 | FELT-UPPER                           |
| 21  | 5303937183 | LOWER FELT                           |
| 22  | 5304418382 | PANEL-FRT BSQ W/LT (S/P)             |
| 25  | 131658800  | CATCH-DOOR (S/P)                     |
| 27  | 131450300  | LINT TRAP                            |
| 28  | 5303281074 | CLIP-GUIDE,(3)                       |
| 41  | 134222900  | HINGE-DOOR (S/P)                     |
| 42  | 131209600  | SCREW,FLAT HEAD ,8-18AB X 0.44 (S/P) |
| 44  | 131129900  | GASKET-DOOR                          |
| 46  | 131644702  | DOOR HANDLE-BISQUE (S/P)             |
| 47  | 131844104  | PANEL-INNER DOOR WHITE (S/P)         |
| 48  | 131789305  | DOOR-OUTER BSQ DRYER & LC (S/P)      |
| 49  | 5303207102 | STRIKE-DOOR (S/P)                    |
| 50  | 131303300  | SCREW-LOCK,PH AB ,10-16X.50 (S/P)    |
| NI  | 5308027429 | ADHESIVE, HIGH TEMP (S/P)            |
| NI  | 131870700  | PLUG-LIGHT HOLE (S/P)                |
| NI  | 131474700  | INSULATION (S/P)                     |
| F26 | 131843100  | SWITCH-DOOR W/O LITE                 |

Distribuidor Autorizado

**SurteRápido.com**

Venta de Refacciones  
Electrodomesticas

## SGR341AQ1 TABLERO





## SGR341AQ1 TABLERO

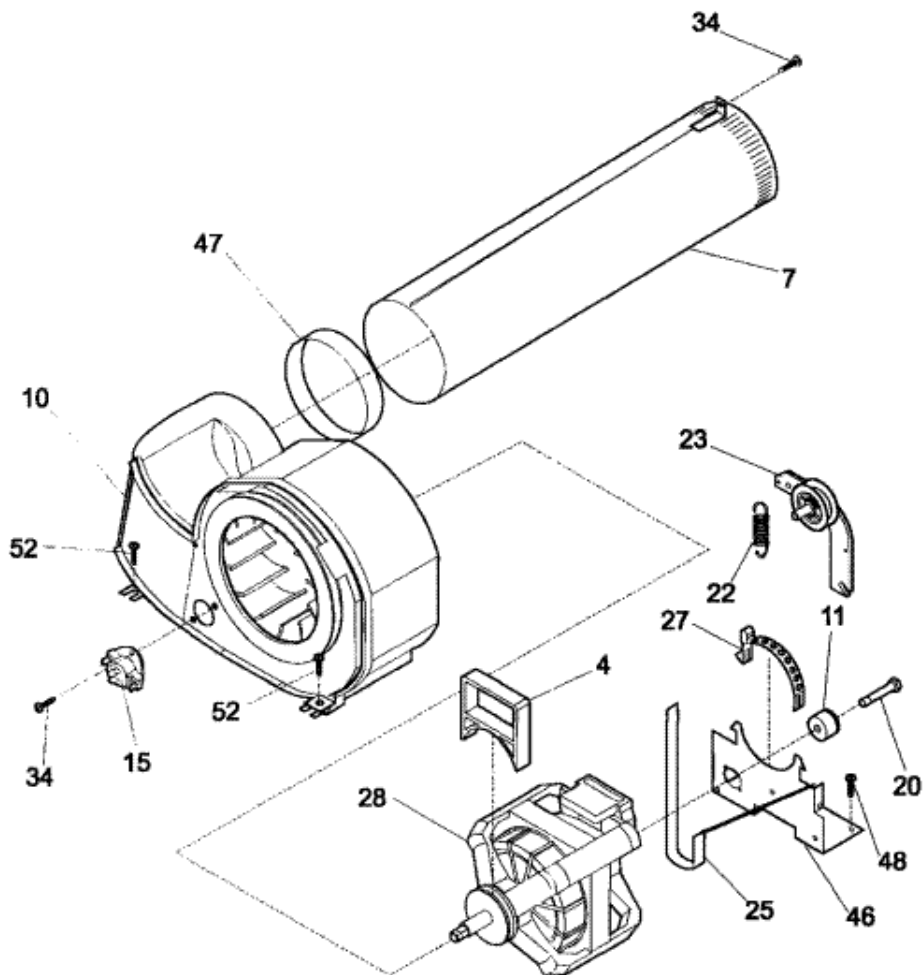
|     |            |  |
|-----|------------|--|
| 1   | 131583801  | TIMER-DRYER P GAS                        |
| 3   | 131122613  | END CAP COVER-LH BSQ ULTRA (S/P)         |
| 4   | 131141107  | KNOB-ROT BSQ/DRK BROWN                   |
| 6   | 131122603  | END CAP COVER-RH BSQ ULTRA (S/P)         |
| 7   | 3205821    | CLIP-TOP PANEL,TO FRONT PANEL (S/P)      |
| 9   | 134088700  | BACKSHEET-F CONSOLE (S/P)                |
| 16  | 134034300  | SCREW (S/P)                              |
| 17  | 131728900  | BRACKET-CONTROL (S/P)                    |
| 18  | 134077100  | TRIMPLATE WWE/B1PRJFB (S/P)              |
| 20  | 131122713  | END CAP LH BSQ-ULTRA,20 (S/P)            |
| 21  | 131810501  | KNOB-TIMER BSQ/CLR/DRK BROWN             |
| 22  | 131266300  | SCREW-END CAP,CR OVAL HEAD (S/P)         |
| 23  | 134005200  | HARN-FSD PRJ GAS (S/P)                   |
| 25  | 5303015671 | SCREW,8-18 X .375 (S/P)                  |
| 27  | 131197000  | CLIP-CONTROL PANEL (S/P)                 |
| 31  | 131122703  | END CAP RH BSQ-ULTRA,31 (S/P)            |
| 39  | 131243700  | SCREW,PAN HEAD ,8-18AB X 0.375 ,39 (S/P) |
| 45  | 131205100  | SCREW,NO.8 PAN HEAD (S/P)                |
| 53  | 134086804  | PANEL-TOP FS BSQ (S/P)                   |
| 56  | 131243800  | SCREW-BRKT TOP,PAN HD LOCKING (S/P)      |
| F10 | 131469000  | SWITCH-PUSH/START                        |
| F15 | 134398500  | SWITCH-TEMPERATURE (S/P)                 |
| F24 | 131111506  | BUTTON-START-BSQ STD (S/P)               |
| F38 | 5303210285 | BUZZER (S/P)                             |

Distribuidor Autorizado

SurteRápido.com

Venta de Refacciones  
Electrodomesticas

## SGR341AQ1 MOTOR





## SGR341AQ1 MOTOR

|     |           |  |
|-----|-----------|--|
| 4   | 131435200 | LOCK-FAN HOUSING (S/P)                   |
| 7   | 131451600 | TUBE-EXHAUST (S/P)                       |
| 10  | 131775600 | ASMY-BLWR HSG/COV/WHEEL                  |
| 11  | 131749800 | SPACER-IDLER (S/P)                       |
| 20  | 131017900 | SCREW-SPACER,HEX HEAD (S/P)              |
| 22  | 131601000 | SPRING-IDLER (S/P)                       |
| 27  | 131419800 | CLAMP-MOTOR (S/P)                        |
| 34  | 131243700 | SCREW,PAN HEAD ,8-18AB X 0.375 ,39 (S/P) |
| 46  | 134203400 | BRACKET-MOTOR                            |
| 47  | 131633300 | SEAL-EXHAUST TUBE (S/P)                  |
| 48  | 131168200 | SCREW,8-18 X 0.31 ,12 (S/P)              |
| 52  | 131303100 | SCREW,HWHD AB ,10-16X.625 (S/P)          |
| F15 | 131298400 | THERMOSTAT-CONTROL                       |
| F28 | 131560100 | MOTOR-MAIN,W/PULLEY                      |
| F23 | 131863000 | ASMY-IDLER ARM                           |
| F25 | 134503600 | BELT-DRYER                               |
| NI  | 131456800 | TUBE ASSY,EXHAUST (S/P)                  |

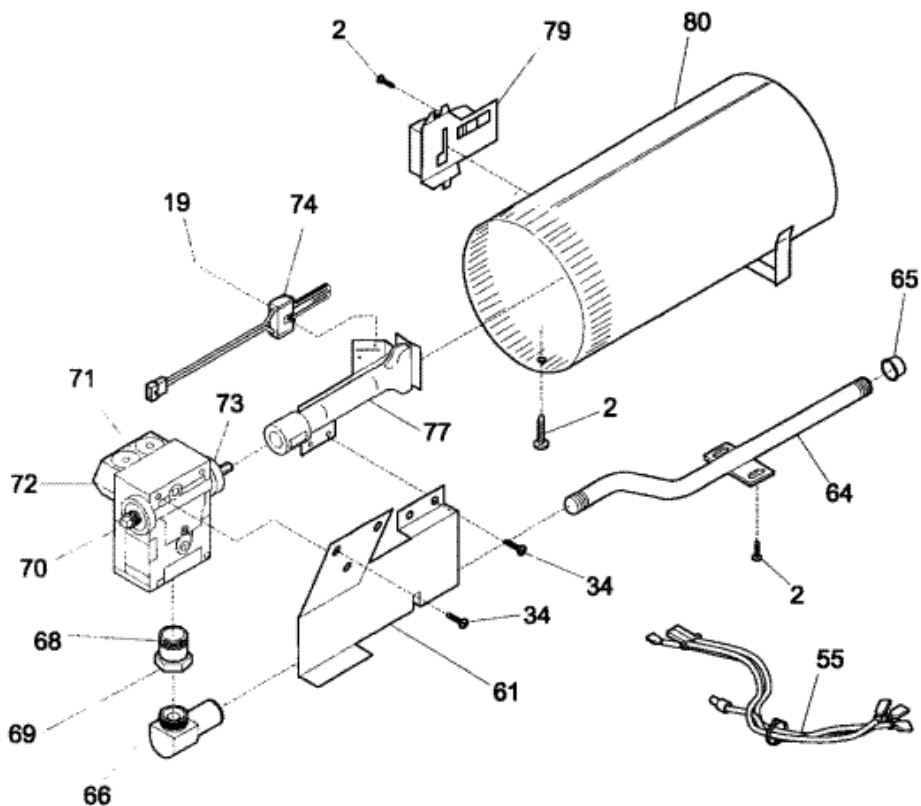


Distribuidor Autorizado

SurteRápido.com

Venta de Refacciones  
Electrodomesticas

## SGR341AQ1 QUEMADOR





## SGR341AQ1 QUEMADOR

|     |            |                             |
|-----|------------|-----------------------------|
| 2   | 131168200  | SCREW,8-18 X 0.31 ,12 (S/P) |
| 19  | 131715500  | CLIP-IGNITER (S/P)          |
| 34  | 131243700  | SCREW,PAN HEAD (S/P)        |
| 61  | 131418701  | BRACKET-BURNER              |
| 64  | 134145300  | PIPE (S/P)                  |
| 65  | 8015112    | CAP-PIPE (S/P)              |
| 66  | 137011800  | ELBOW-COUPLER (S/P)         |
| 68  | 5362791200 | TAIL PIECE,BRASS            |
| 69  | 8015194    | NUT-UNION,HEX (S/P)         |
| 70  | 5303207409 | VALVE-GAS                   |
| 71  | 5303931775 | COIL-SECONDARY              |
| 72  | 5303931775 | COIL-BOOSTER                |
| 73  | 5303207410 | ORIFICE,NATURAL GAS (S/P)   |
| 77  | 131762900  | ASSY-BURNER                 |
| 79  | 5303281135 | SENSOR (S/P)                |
| 80  | 134156101  | BURNER TUBE-RIVETED (S/P)   |
| F74 | 5303937186 | IGNITOR ASSY (S/P)          |
| F55 | 131827100  | HARNESS-GAS VALVE (S/P)     |
| NI  | 131776600  | LP CONVERSION KIT           |

