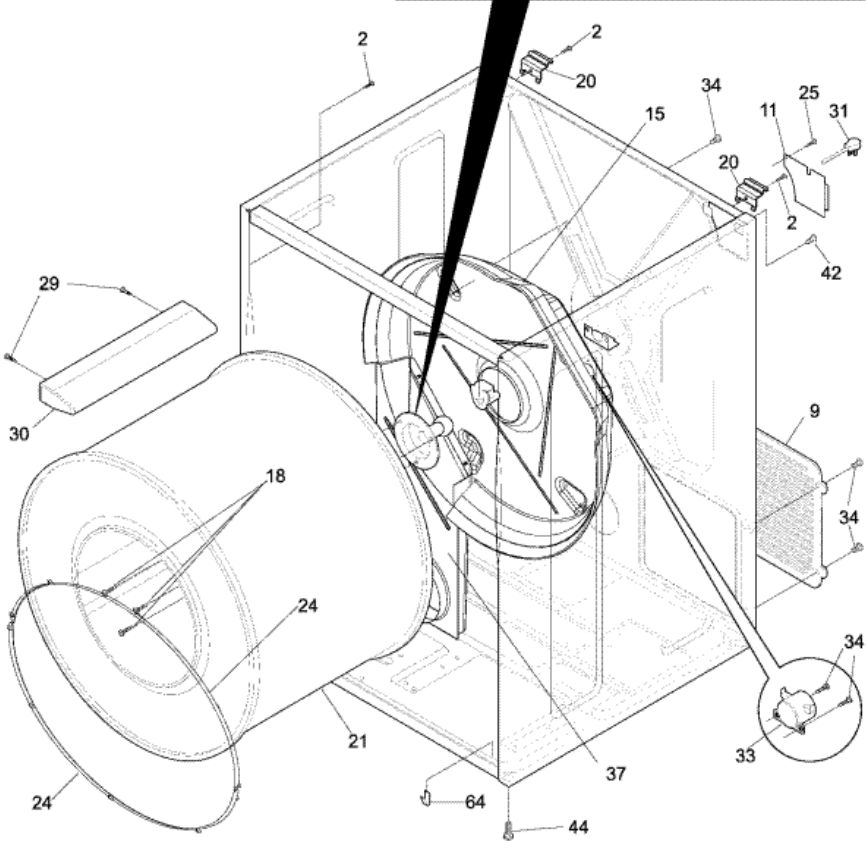
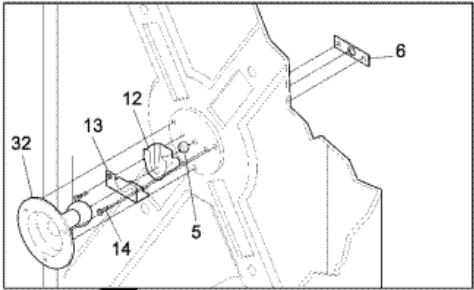


SGR341AQ5 TAMBOR

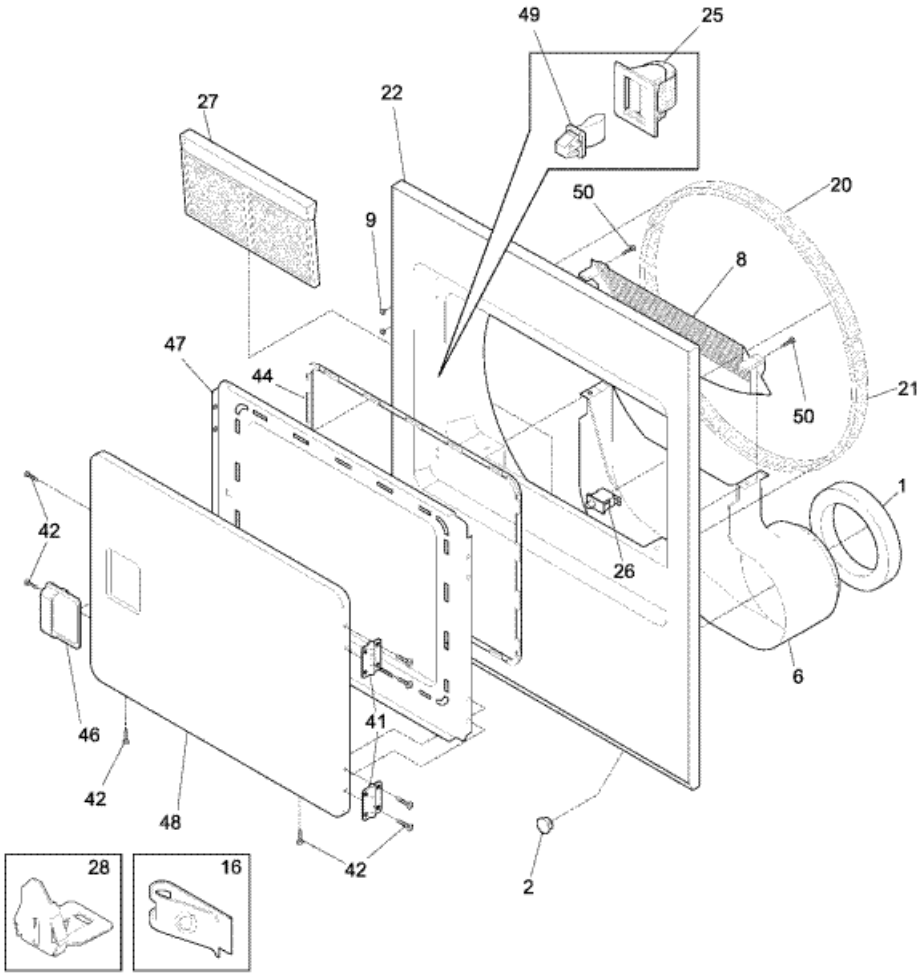




SGR341AQ5 TAMBOR

2	131168200	SCREW,PAN HEAD ,8-18B X 0.31 (S/P)
5	5303281019	BALL (S/P)
6	5303281020	CLIP,BALL ,STEEL ,FLAT NUT (S/P)
9	131793201	PANEL,ACCESS ,REAR (S/P)
11	131363200	COVER,TERMINAL BLOCK (S/P)
12	131825900	BEARING,DRUM SUPPORT
13	131724300	BRACKET,BEARING SUPPORT (S/P)
14	131205400	SCREW,BRACKET MTG. ,10-16B X 1.375 (S/P)
18	131477000	SCREW,10-16AB X 0.375 (S/P)
20	131469100	BRACKET,HINGE ,REAR ,TOP PANEL MTG. (S/P)
21	134122532	DRUM,DRYER ,GALVANIZED STL. ,SERVICE KIT (S/P)
24	131963900	GLIDE,DRUM
25	5303015671	SCREW,HEX WASHER HEAD ,8-18 X 0.375 (S/P)
29	131382300	SCREW,QUADREX HEAD ,10-14 X 1.00 (S/P)
30	5303201200	VANE,STRAIGHT
32	5303281153	SHAFT,DRUM SUPPORT ,BALLHITCH
34	131243700	SCREW,PAN HEAD ,8-18AB X 0.375 (S/P)
37	131952100	DUCT,HEAT (S/P)
42	134154100	SCREW,HEX WASHER HEAD ,10-32 X 0.375 (S/P)
44	134158000	LEVELING LEG,SCREW (S/P)
64	131704600	CLIP (S/P)
NI	5303307893	LUBRICANT,HIGH TEMP (S/P)
F33	5308015399	THERMOSTAT,SAFETY
FNI	5303281153	REAR BEARING KIT,INCLUDES 5,6 ,12,13,14,18,32
FNI	134101400	TERMINAL BLOCK,MAIN (S/P)
F31	134501200	POWER CORD,ELECTRIC SVCE (S/P)
F15	131776500	HOUSING,GAS HEATER ASSY ,W/SEAL (S/P)

SGR341AQ5 PUERTA

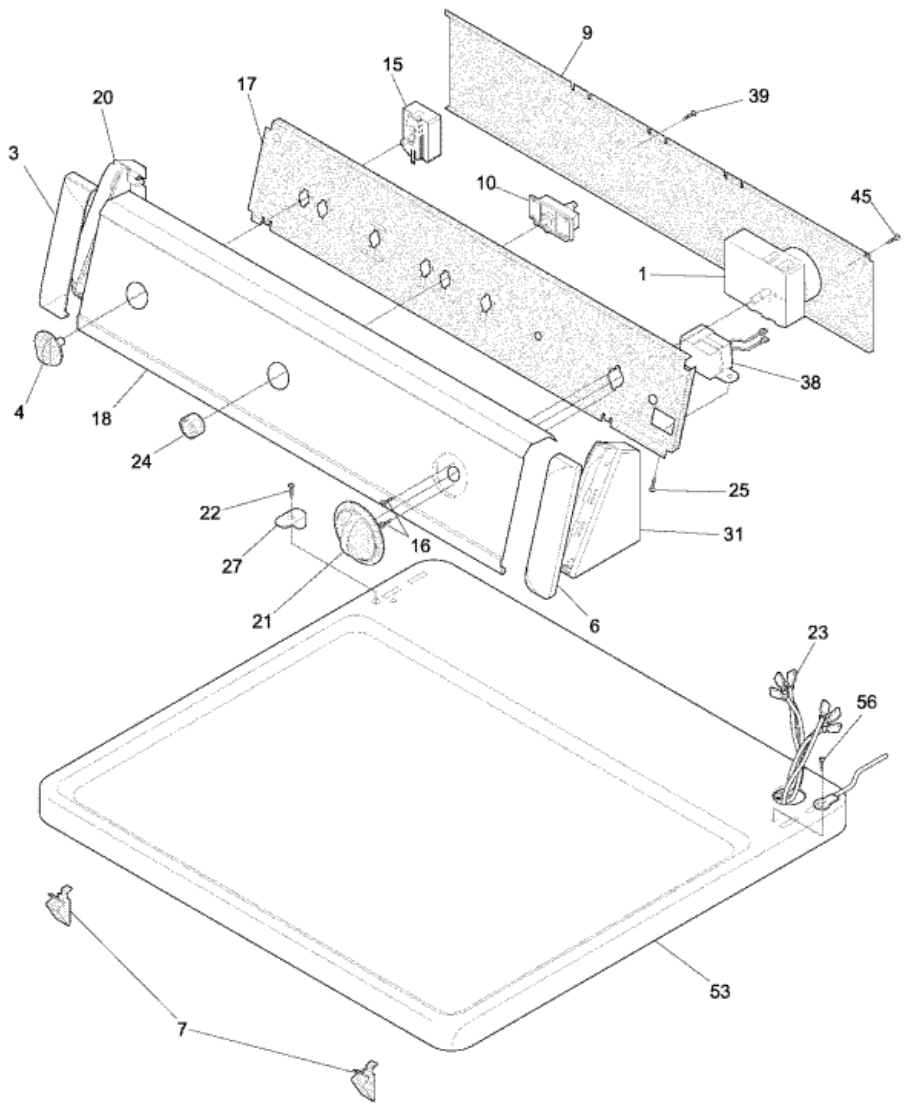




SGR341AQ5 PUERTA

1	134417000	SEAL,AIR DUCT (S/P)
2	131397002	PLUG,DOME ,BISQUE (S/P)
6	131621900	DUCT,AIR (S/P)
8	131622202	COVER,LINT HOUSING
9	131633202	PLUG,BISQUE (S/P)
16	131063700	CLIP,WIRING (S/P)
20	5303937182	SEAL,FELT ,UPPER
21	5303937183	SEAL,FELT ,LOWER
22	5304418382	PANEL,FRONT ,BISQUE ,W/LIGHT HOLE (S/P)
25	131658800	DOOR CATCH (S/P)
27	131450300	TRAP,LINT BLADE ASSY
28	5303281074	CLIP,GUIDE ,(3)
41	134222900	HINGE,DOOR (S/P)
42	131209600	SCREW,FLAT HEAD ,8-18AB X 0.44 (S/P)
44	131129900	GASKET,DOOR SEAL (S/P)
46	131644702	HANDLE,DOOR ,BISQUE (S/P)
47	131844104	PANEL,INNER DOOR ,WHITE (S/P)
48	131789305	PANEL,OUTER DOOR ,BISQUE (S/P)
49	5303207102	DOOR STRIKE (S/P)
50	131303300	SCREW,PAN HEAD ,10-16AB X 0.500 ,LOCKING (S/P)
NI	131474700	INSULATION (S/P)
F26	131843100	SWITCH,DOOR ,W/O DRUM LIGHT
NI	131870700	PLUG,LIGHT HOLE (S/P)
NI	5308027429	ADHESIVE,HIGH TEMP (S/P)

SGR341AQ5 TABLERO

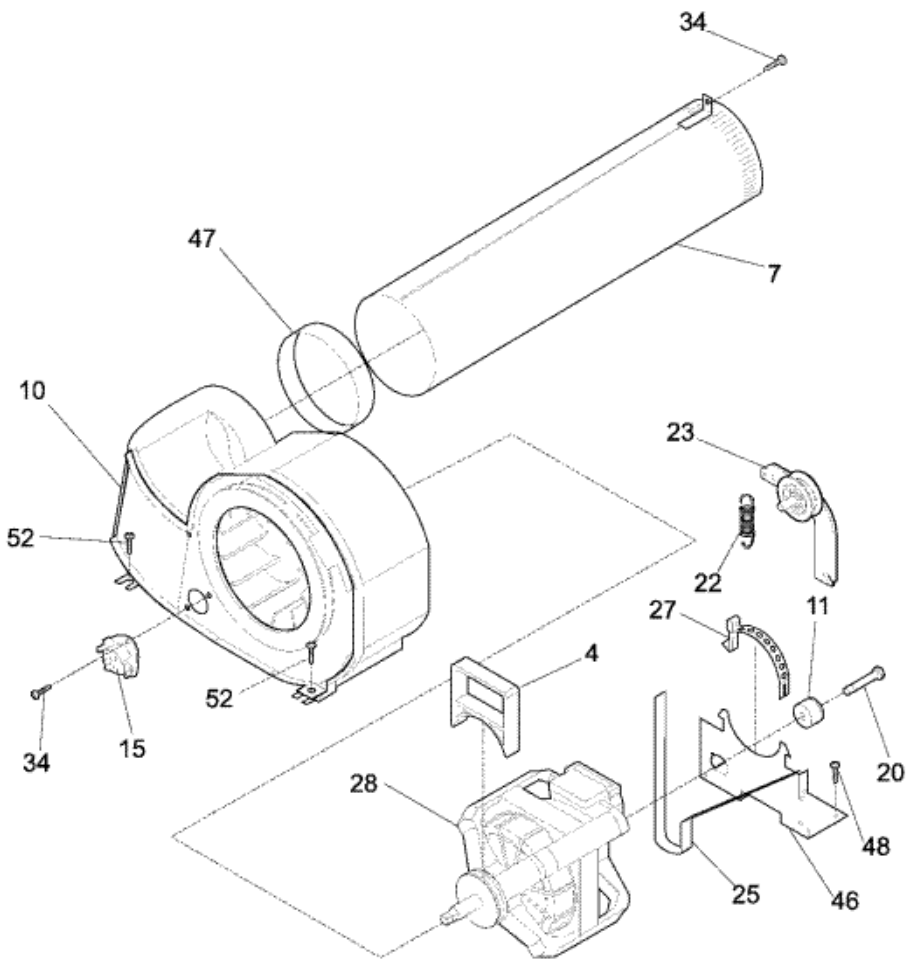




SGR341AQ5 TABLERO

1	131583801	TIMER, DRYER ,3-OFF
3	131122613	COVER, END CAP ,BISQUE ,LH (S/P)
4	131141107	KNOB, ROTARY ,BISQUE/DK BROWN
6	131122603	COVER, END CAP ,BISQUE ,RH (S/P)
7	3205821	CLIP, TOP-TO-FRONT (S/P)
9	134088700	PANEL, CONSOLE BACK (S/P)
16	134034300	SCREW, PAN HD PHILLIPS ,8-18B X 0.250 (S/P)
17	131728900	BRACKET, CONTROL MTG. (S/P)
18	134077100	PANEL, CONSOLE ,BISQUE (S/P)
20	131122713	END CAP, BISQUE ,LH (S/P)
21	131810501	KNOB, TIMER ,BISQUE/BROWN
22	131266330	SCREW, 8-18 X 1.250 (S/P)
23	134005200	WIRING HARNESS (S/P)
24	131111506	BUTTON, START SWITCH ,BISQUE ,PUSH TYPE (S/P)
25	5303015671	SCREW, HEX WASHER HEAD (S/P)
27	131197000	CLIP, CONSOLE MTG (S/P)
31	131122703	END CAP, BISQUE ,RH (S/P)
39	131243700	SCREW, PAN HEAD ,8-18AB X 0.375 (S/P)
45	131205100	SCREW, NO.8 PAN HEAD ,10-10B X 0.500 (S/P)
53	134086804	PANEL, DRYER TOP ,BISQUE ,CONSOLE MTG (S/P)
56	131243800	SCREW, PAN HD LOCKING ,8-32CA X 0.375 (S/P)
F10	131469000	SWITCH, PUSH/START
F38	5303210285	BUZZER (S/P)
F15	134398500	SWITCH, TEMPERATURE (S/P)

SGR341AQ5 MOTOR





SGR341AQ5 MOTOR

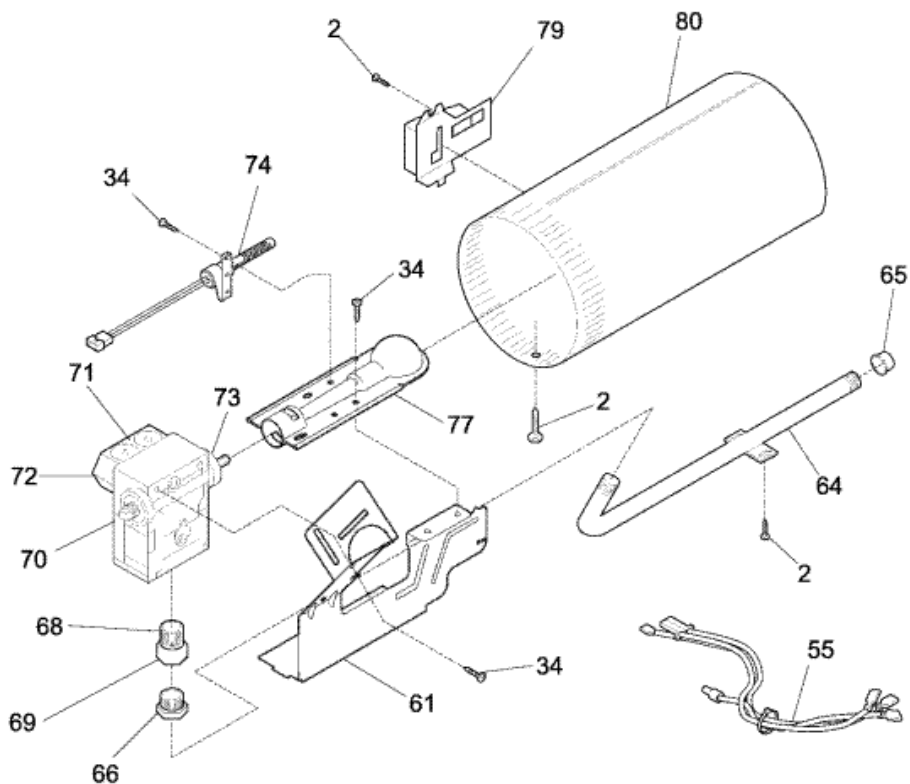
4	131435200	LOCK,BLOWER HOUSING (S/P)
7	131451600	TUBE,EXHAUST ,REAR ,W/MTG BRACKET (S/P)
11	131749800	SPACER,IDLER (S/P)
20	131017900	SCREW,HEX HEAD ,1/4-20T X 1.25 (S/P)
22	131601000	SPRING,IDLER ARM (S/P)
27	134242400	CLAMP,MOTOR MTG. (S/P)
34	131243700	SCREW,PAN HEAD ,8-18AB X 0.375 (S/P)
46	134203400	BRACKET,MOTOR MTG
47	131633300	SEAL,EXHAUST TUBE (S/P)
48	131168200	SCREW,PAN HEAD ,8-18B X 0.31 (S/P)
52	131303100	SCREW,HEX WASHER HEAD ,10-16AB X 0.625 (S/P)
F23	131863000	IDLER ARM
F25	134503600	BELT,DRYER
NI	131456800	TUBE,EXHAUST ,SIDE/BOTTOM (S/P)
F15	131298400	THERMOSTAT,TEMP CONTROL
F10	131775600	HOUSING,BLOWER ASSY ,COVER & WHEEL
F28	131560100	MOTOR,MAIN DRIVE ,W/PULLEY

Distribuidor Autorizado

SurteRápido.com

Venta de Refacciones
Electrodomesticas

SGR341AQ5 QUEMADOR





SGR341AQ5 QUEMADOR

2	131168200	SCREW,PAN HEAD ,8-18B X 0.31 (S/P)
34	131243700	SCREW,PAN HEAD ,8-18AB X 0.375 (S/P)
61	134122000	BRACKET,BURNER MTG (S/P)
64	134144900	PIPE,GAS ,RIGHT ANGLE (S/P)
65	8015112	CAP,PIPE (S/P)
66	134128700	BUSHING,COUPLER (S/P)
68	134185100	TAIL PIECE,COUPLING (S/P)
F79	5303281135	SENSOR,RADIANT (S/P)
F72	5303931775	SOLENOID,BOOSTER COIL
F69	5308015194	UNION,HEX NUT
F73	5303207411	ORIFICE,LP GAS ,NO.55
F77	134216600	BURNER ASSY (S/P)
F70	134169200	VALVE,LP GAS (S/P)
NI	134169500	GAS CONVERSION KIT,LP TO NATURAL (S/P)
F80	134200801	TUBE,BURNER ,RIVETED (S/P)
F55	134264700	WIRING HARNESS,GAS VALVE (S/P)
F74	134192000	IGNITOR ASSY (S/P)
F71	5303931775	SOLENOID,SECONDARY COIL