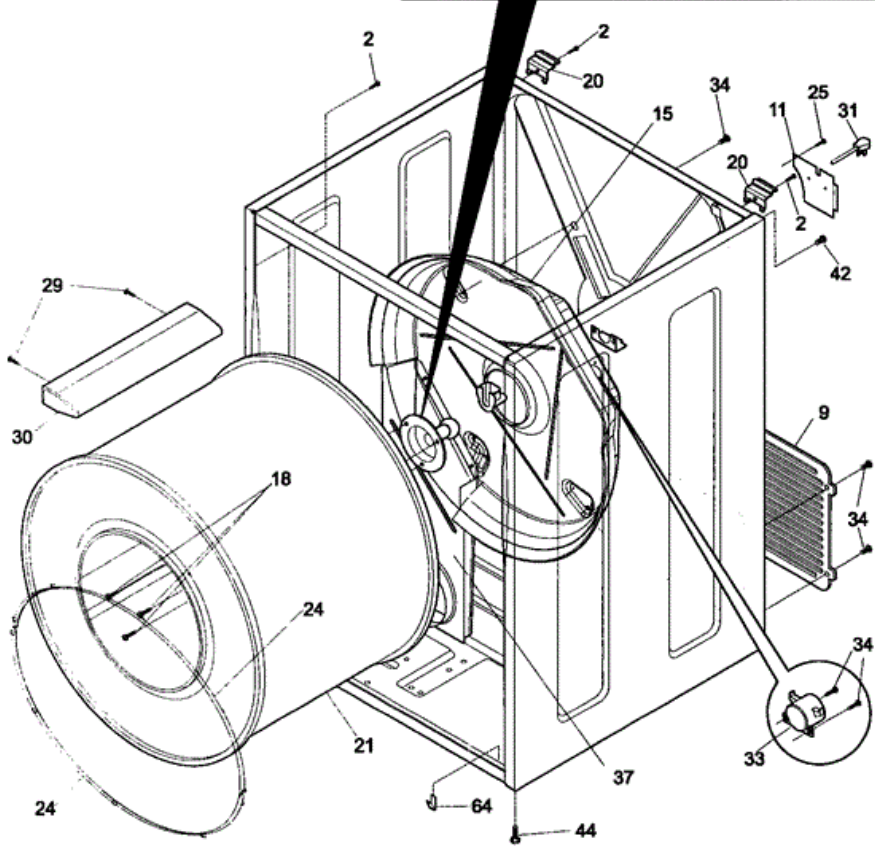
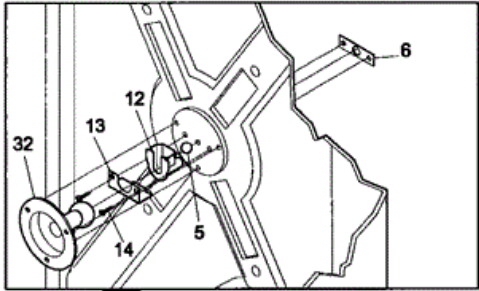


SGR341AS1 GABINETE

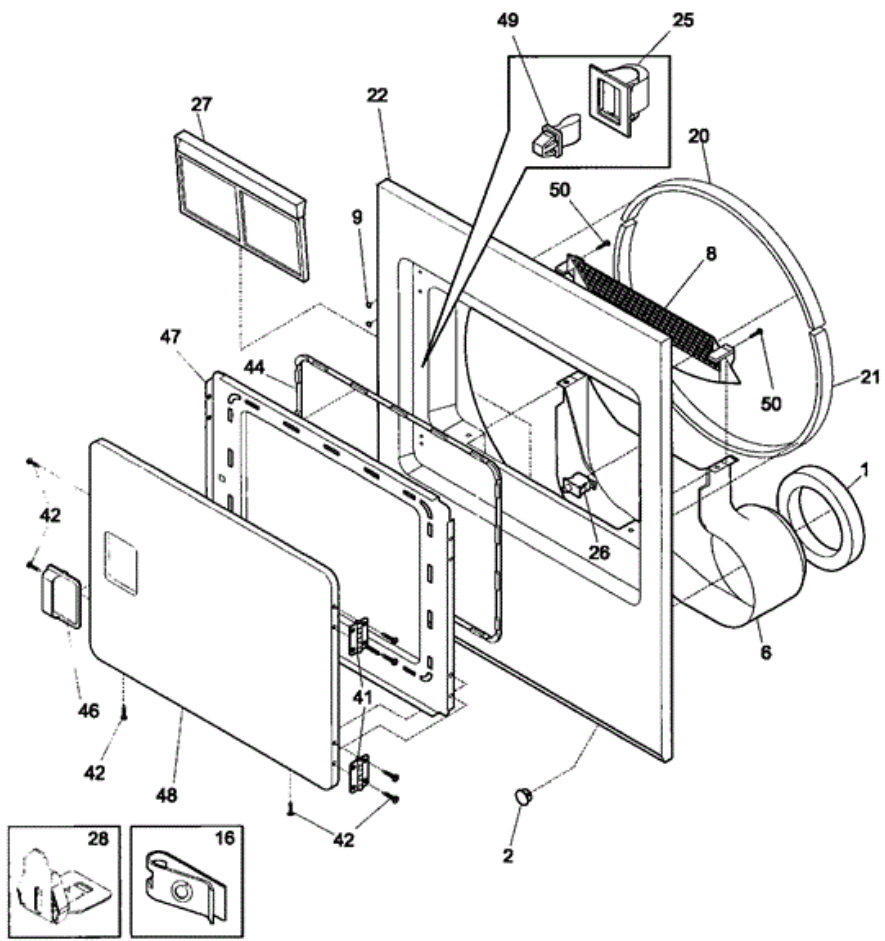




SGR341AS1 GABINETE

2	131168200	SCREW,8-18 X 0.31 ,12
5	5303281019	BALL
6	5303281020	CLIP-BALL
9	131793201	PANEL-ACCESS
11	131363200	COVER-TERM BLOCK
12	131825900	BEARING-DRUM SUPPORT
13	131724300	BRACKET-BEARING
14	131205400	SCREW-BRACKET, 10-16B X 1.375, CR/SQ DRIVE
18	131477000	SCREW-SHAFT & BAFFLE, COMB PH AB SPCL,
20	131469100	BRACKET-HINGE
21	134122532	ASMY-DRUM GALVANIZED,21
24	131963900	GLIDE-DRUM
25	5303015671	SCREW,8-18 X .375
29	131382300	SCREW-VANE, QUADREX HEAD, 10-14 X 1.00, SPECIAL
30	5303201200	VANE
32	131777700	ASMY-SHAFT (BALLHITCH)
34	131243700	SCREW,PAN HEAD ,8-18AB X 0.375 ,39 ,CR/SQ DRIVE
37	131952100	DUCT-HEAT
42	131301100	SCREW-GROUND CAB,HEX WASHER HEAD
44	131527400	FOOT-CABINET
64	131704600	CLIP
F15	131600500	HOUSING, GAS HEATER ASSY, W/SEAL
F31	134102200	SERVICE CORD-GAS DRYER (NOM)
F33	5308015399	THERMOSTAT - SAFETY
NI	5303281153	REAR BEARING KIT,INCLUDES NO.5,6 ,12,13,14,18,32
NI	5303307893	LUBRICANT, HIGH TEMP

SGR341AS1 PUERTA

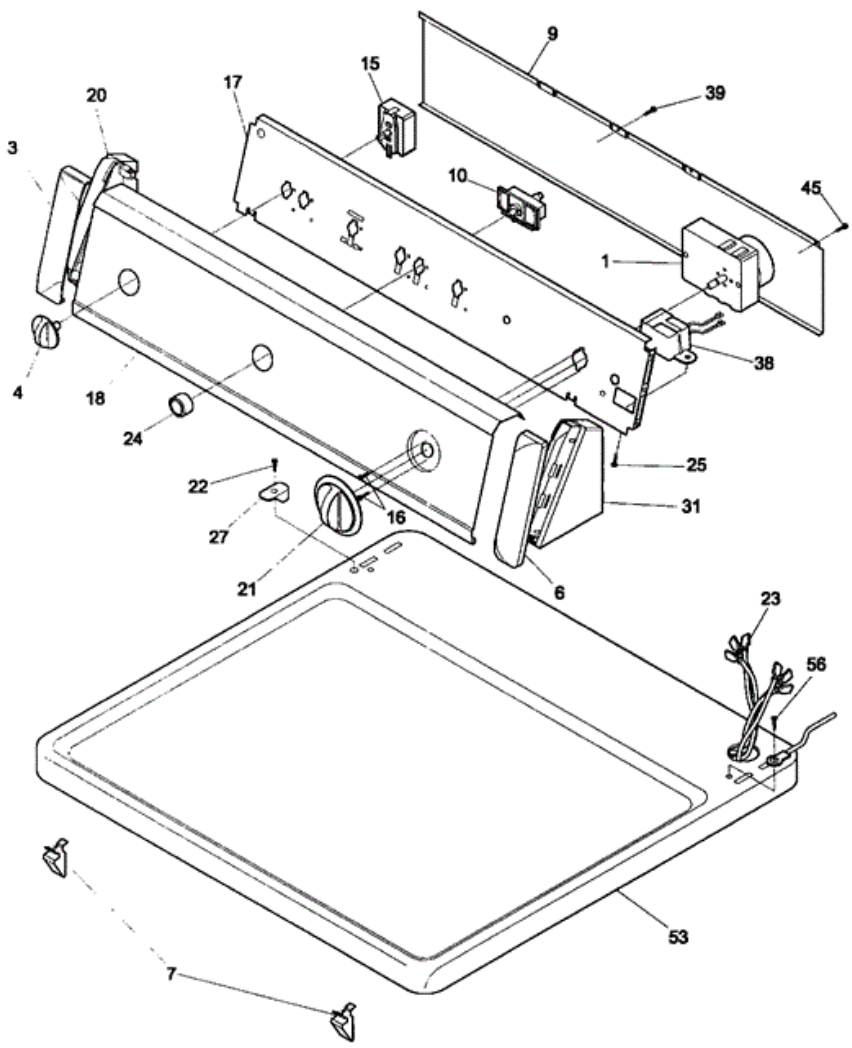




SGR341AS1 PUERTA

1	134063300	SEAL-AIR DUCT 2.5NO. LOW PERM
2	131397000	PLUG-DOME-WHITE
6	131621900	DUCT-AIR
8	131622202	COVER-LINT HOUSING
9	131633200	PLUG,WHITE
16	131063700	CLIP-WIRING
20	134036400	FELT-UPPER
21	134134700	LOWER FELT
22	131845912	FRONT PANEL W/LITE WHT
25	131658800	CATCH-DOOR
27	131450300	LINT TRAP
28	5303281074	CLIP-GUIDE,(3)
41	131627500	HINGE-DOOR
42	131209600	SCREW, FLAT HEAD, 8-18AB X 0.44, CR/SQ DRIVE
44	131129900	GASKET-DOOR
46	131644700	HANDLE-DOOR, WHITE
47	131844104	PANEL-INNER DOOR WHITE
48	131789303	DOOR-OUTER, WHITE
49	5303211430	STRIKE DOOR
50	131303300	SCREW-LOCK, PH AB, 10-16 X .50
F26	131843100	SWITCH-DOOR W/O LITE
NI	131474700	INSULATION
NI	131870700	PLUG-LIGHT HOLE
NI	5308027429	ADHESIVE, HIGH TEMP

SGR341AS1 TABLERO

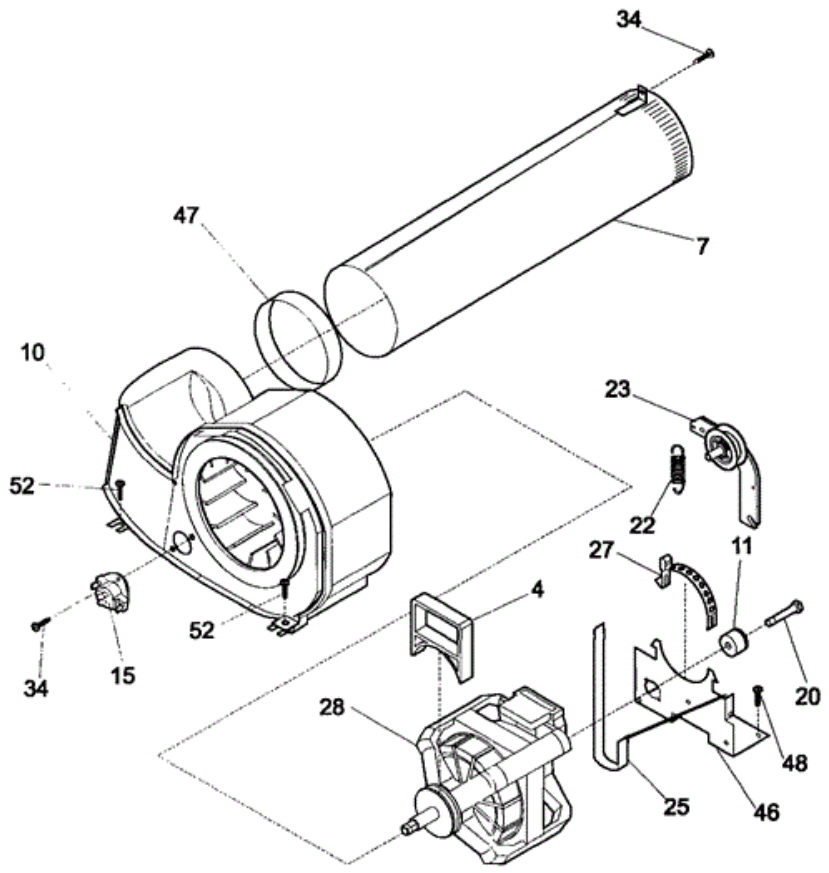




SGR341AS1 TABLERO

1	131583801	TIMER-DRYER P GAS
3	131122611	COVER-END CAP, WHITE, LH
4	131141105	KNOB-ROTARY,WHITE/GRAY
6	131122601	COVER-END CAP, WHITE, RH
7	3205821	CLIP-TOP PANEL, TO FRONT PANEL
9	134088700	BACKSHEET-F CONSOLE
16	134034300	SCREW, CR PAN HD, 8-32 X 0.250, THRD FORMING
17	131728900	BRACKET-CONTROL
18	134076800	TRIMPLATE WVE/B1PRJFW
20	131122711	END CAP,WHITE ,LH
21	131810500	KNOB-TIMER-GALLERY WHITE
22	131266300	SCREW-END CAP,CR OVAL HEAD ,8-18AB
23	134005200	HARN-FSD PRJ GAS
25	5303015671	SCREW,8-18 X .375
27	131197000	CLIP-CONTROL PANEL
31	131122701	END CAP, WHITE, RH
39	131243700	SCREW,PAN HEAD ,8-18AB X 0.375 ,39 ,CR/SQ DRIVE
45	131205100	SCREW,NO.8 PAN HEAD ,10-10B X 0.50 ,CR/SQ DRIVE
53	134086802	PANEL-TOP FS WHT
56	131243800	SCREW-BRKT TOP,PAN HD LOCKING ,8-32CA
F10	131469000	SWITCH-PUSH/START
F15	131048100	SWITCH, TEMPERATURE
F24	131111501	BUTTON-START SWITCH,WHITE
F38	5303210285	BUZZER

SGR341AS1 MOTOR

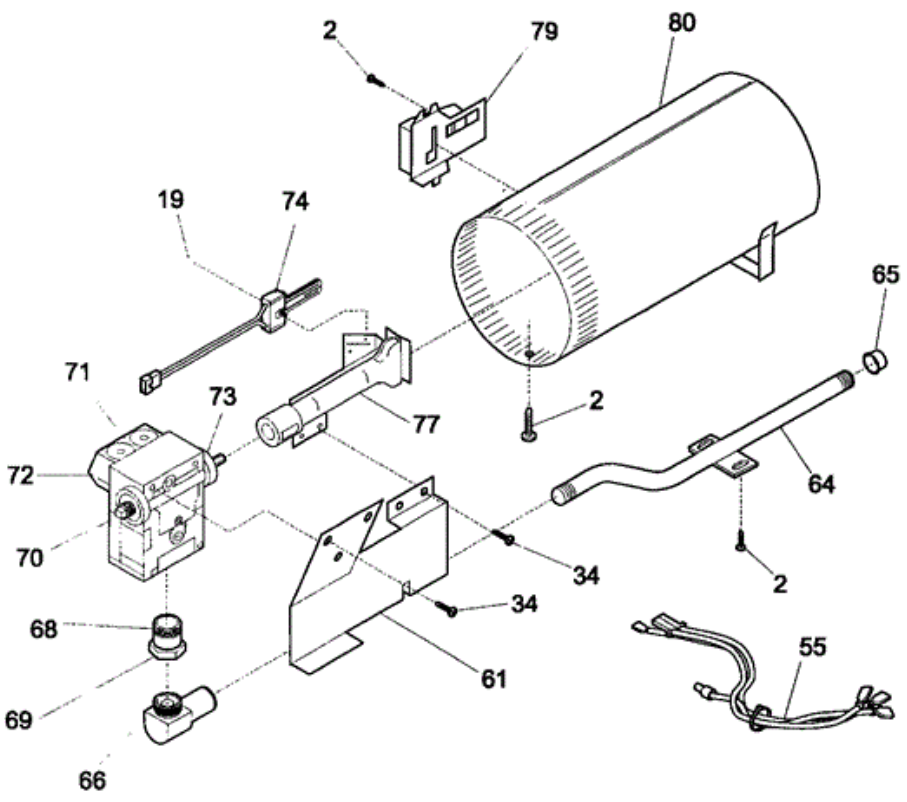




SGR341AS1 MOTOR

4	131435200	LOCK-FAN HOUSING
7	131451600	TUBE-EXHAUST
10	131775600	ASMY-BLWR HSG/COV/WHEEL
11	131749800	SPACER-IDLER
20	131017900	SCREW-SPACER, HEX HEAD, 1/4-20T X 1.25,
22	131601000	SPRING-IDLER
27	131419800	CLAMP-MOTOR
34	131243700	SCREW,PAN HEAD ,8-18AB X 0.375 ,39 ,CR/SQ DRIVE
46	131601100	BRACKET-MOTOR
47	131633300	SEAL-EXHAUST TUBE
48	131168200	SCREW,8-18 X 0.31 ,12
52	131303100	SCREW,HWHD AB ,10-16X.625
F15	131298400	THERMOSTAT-CONTROL
F23	131863000	ASMY-IDLER ARM
F25	5303283471	BELT-DRYER
F28	131560100	MOTOR-MAIN, W/PULLEY
NI	131456800	TUBE ASSY, EXHAUST

SGR341AS1 QUEMADOR





SGR341AS1 QUEMADOR

2	131168200	SCREW,8-18 X 0.31 ,12
19	131715500	CLIP-IGNITER
34	131243700	SCREW,PAN HEAD ,8-18AB X 0.375 ,39 ,CR/SQ DRIVE
61	131418701	BRACKET-BURNER
64	134145300	PIPE
65	8015112	CAP-PIPE
66	131512000	ELBOW-COUPLER
68	5362791200	TAIL PIECE,BRASS
69	8015194	NUT-UNION, HEX
70	5303207409	VALVE GAS
71	5303307291	COIL-SECONDARY
72	5303307292	COIL-BOOSTER
73	5303207410	ORIFICE, NATURAL GAS
77	131762900	ASSY-BURNER
79	5303281135	SENSOR
80	131904500	BURNER TUBE-RIVETED
F55	131827100	HARNESS-GAS VALVE
F74	5303281151	IGNITOR ASSY
NI	131776600	LP CONVERSION KIT