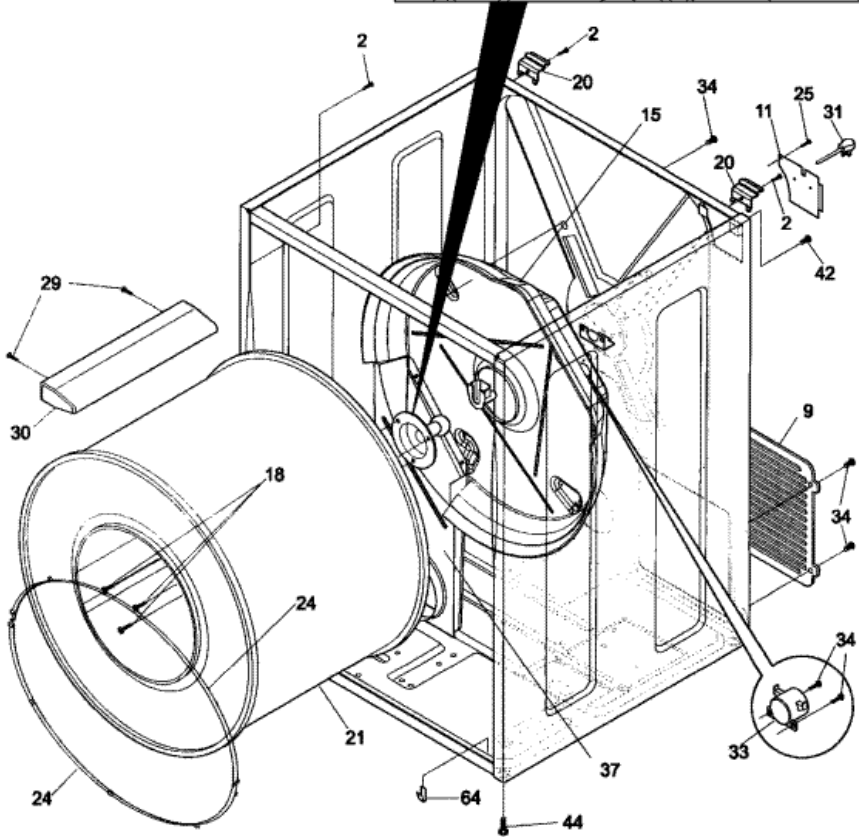
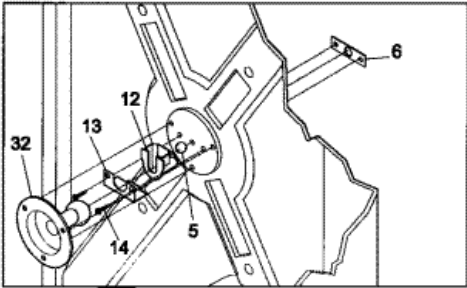


SGR341AS2 TAMBOR

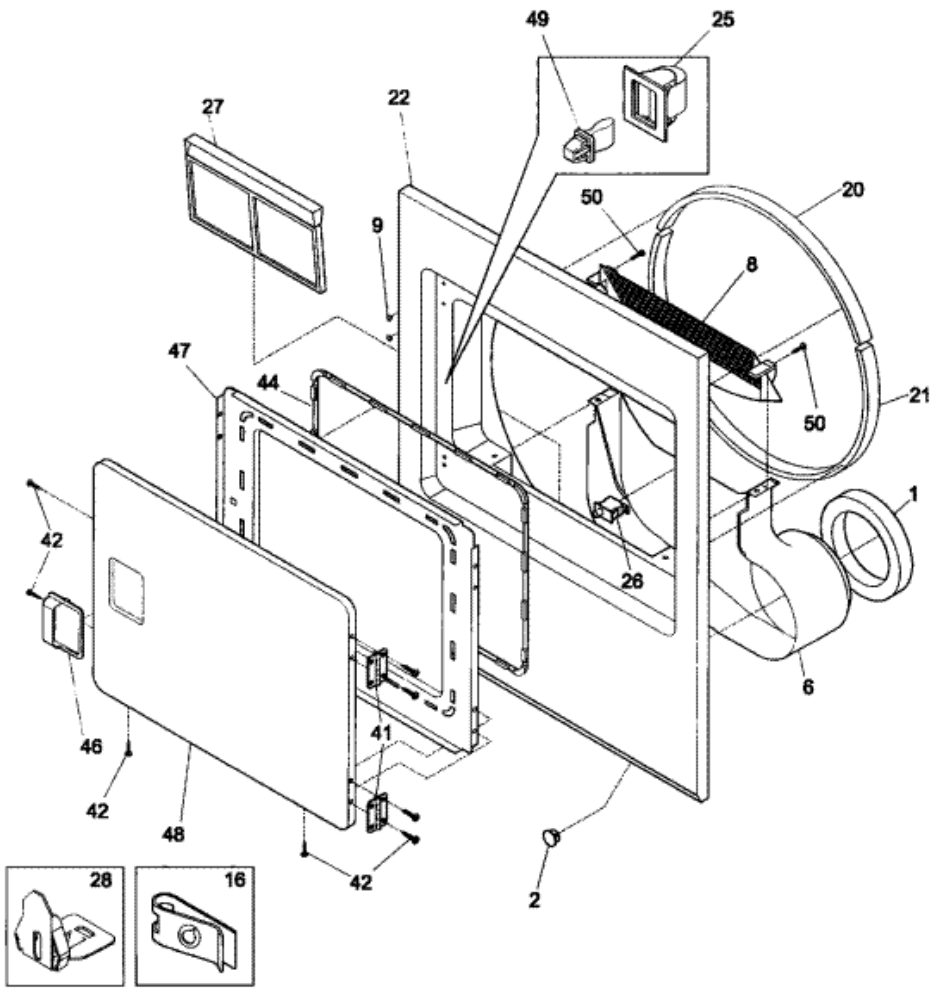




SGR341AS2 TAMBOR

2	131168200	SCREW,PAN HEAD ,8-18B X 0.31 (S/P)
5	5303281019	BALL (S/P)
6	5303281020	CLIP,BALL ,STEEL ,FLAT NUT (S/P)
9	131793201	PANEL,ACCESS ,REAR (S/P)
11	131363200	COVER,TERMINAL BLOCK (S/P)
12	131825900	BEARING,DRUM SUPPORT
13	131724300	BRACKET,BEARING SUPPORT (S/P)
14	131205400	SCREW,BRACKET MTG. ,10-16B X 1.375 (S/P)
18	131477000	SCREW,SHAFT/BAFFLE MT ,10-16AB X 0.375 (S/P)
20	131469100	BRACKET,HINGE ,REAR ,TOP PANEL MTG. (S/P)
21	134122532	DRUM,DRYER ,GALVANIZED STL. ,SERVICE KIT (S/P)
24	131963900	GLIDE,DRUM
25	5303015671	SCREW,HEX WASHER HEAD ,8-18 X 0.375 (S/P)
29	131382300	SCREW,QUADREX HEAD ,10-14 X 1.00 (S/P)
30	5303201200	VANE,STRAIGHT
32	5303281153	SHAFT,DRUM SUPPORT ,BALLHITCH
34	131243700	SCREW,PAN HEAD ,8-18AB X 0.37 (S/P)
37	131952100	DUCT,HEAT (S/P)
42	131209600	SCREW,FLAT HEAD ,8-18AB X 0.44 (S/P)
44	134158000	SCREW,LEVELING LEG (S/P)
64	131704600	CLIP (S/P)
F31	134102200	POWER CORD,ELECTRIC SVCE (S/P)
F15	131776500	HOUSING,GAS HEATER ASSY ,W/SEAL (S/P)
NI	5303307893	LUBRICANT,HIGH TEMP (S/P)
FNI	5303281153	REAR BEARING KIT,INCLUDES 5,6 ,12,13,14,18,32
F33	5308015399	THERMOSTAT,SAFETY

SGR341AS2 PUERTA





SGR341AS2 PUERTA

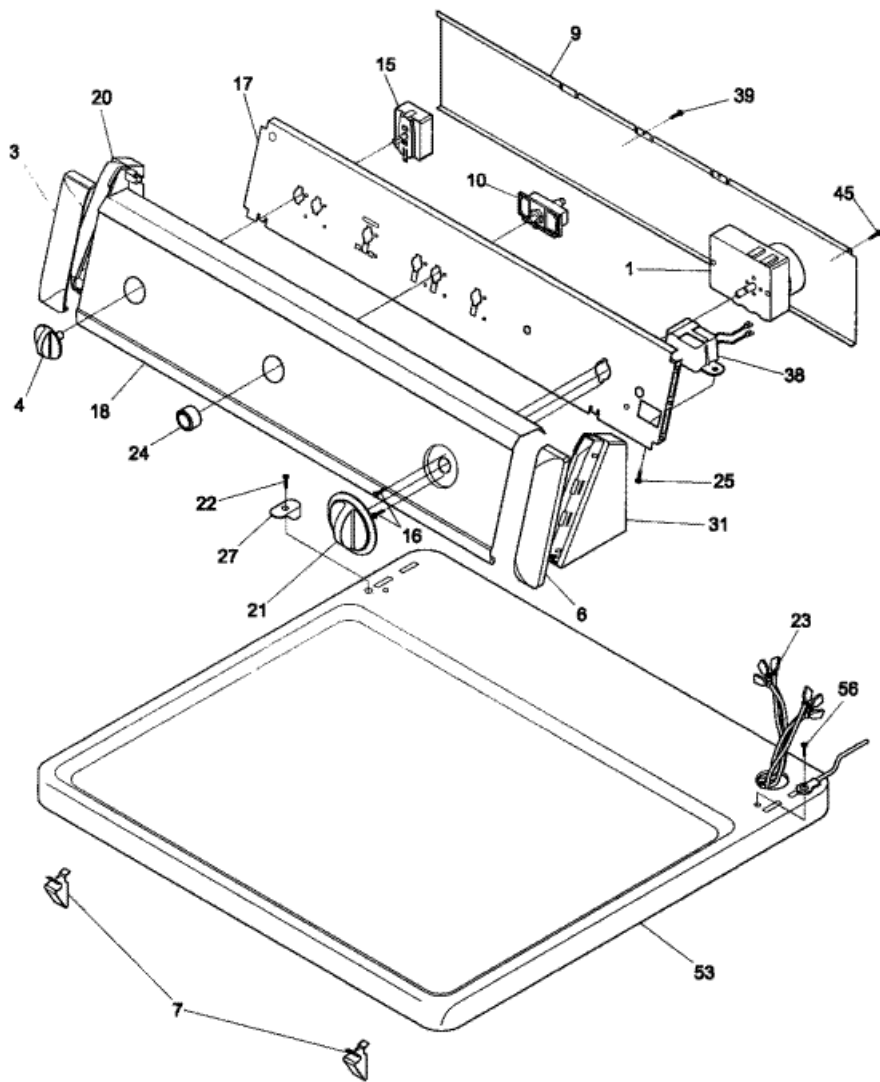
1	134417000	SEAL,AIR DUCT (S/P)
2	131397000	PLUG,DOME ,WHITE (S/P)
6	131621900	DUCT,AIR (S/P)
8	131622202	COVER,LINT HOUSING
9	131633200	PLUG,WHITE (S/P)
16	131063700	CLIP,WIRING (S/P)
20	5303937182	SEAL,FELT ,UPPER
21	5303937183	SEAL,FELT ,LOWER
22	5304412847	PANEL,FRONT ,WHITE ,W/LIGHT HOLE (S/P)
25	131658800	DOOR CATCH (S/P)
27	131450300	TRAP,LINT BLADE ASSY
28	5303281074	CLIP,GUIDE ,(3)
41	134222900	HINGE,DOOR (S/P)
42	131209600	SCREW,FLAT HEAD ,8-18AB X 0.44 (S/P)
44	131129900	GASKET,DOOR SEAL
46	131644700	HANDLE,DOOR ,WHITE
47	131844104	PANEL,INNER DOOR ,WHITE (S/P)
48	131789303	PANEL,OUTER DOOR ,WHITE (S/P)
49	5303207102	DOOR STRIKE (S/P)
50	131303300	SCREW,PAN HEAD LOCK ,10-16AB X 0.500 (S/P)
NI	131870700	PLUG,LIGHT HOLE (S/P)
NI	5308027429	ADHESIVE,HIGH TEMP (S/P)
F26	131843100	SWITCH,DOOR ,W/O DRUM LIGHT
NI	131474700	INSULATION (S/P)

Distribuidor Autorizado

SurteRápido.com

Venta de Refacciones
Electrodomesticas

SGR341AS2 TABLERO

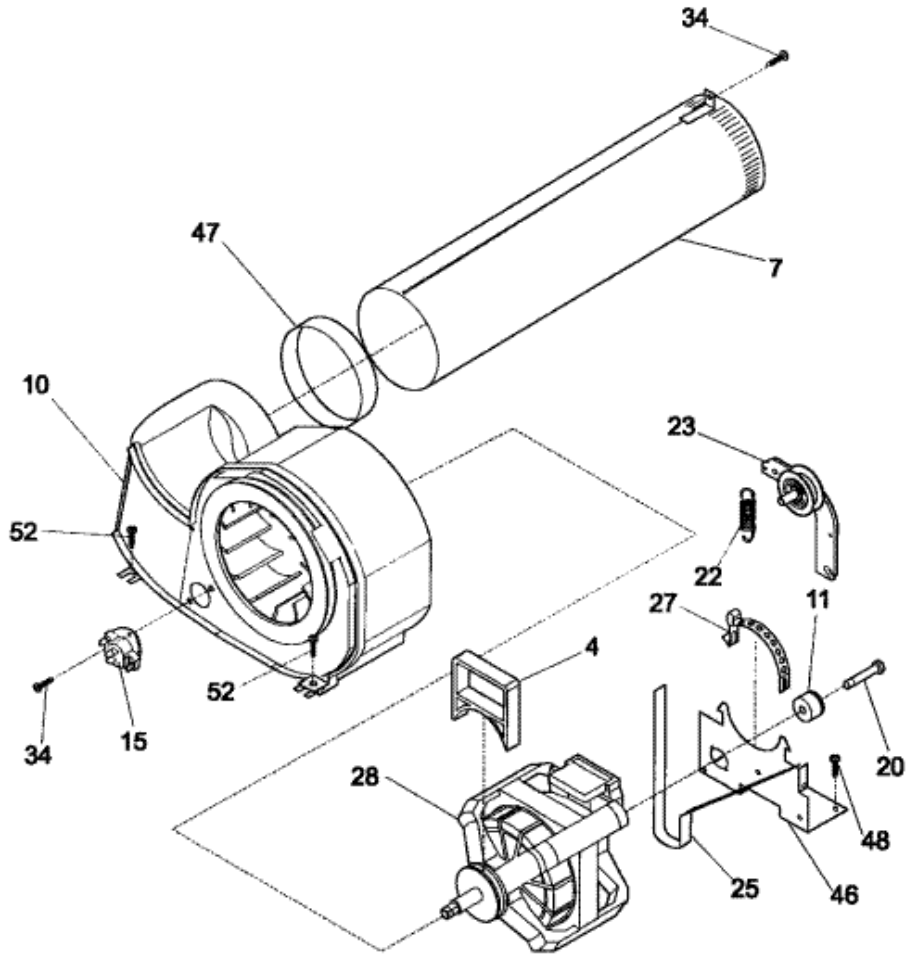




SGR341AS2 TABLERO

1	131583801	TIMER, DRYER
3	131122611	COVER, END CAP ,WHITE ,LH (S/P)
4	131141105	KNOB, ROTARY ,WHITE/GRAY
6	131122601	COVER, END CAP ,WHITE ,RH (S/P)
7	3205821	CLIP, TOP-TO-FRONT (S/P)
9	134088700	PANEL, CONSOLE BACK (S/P)
16	134034300	SCREW, PAN HD PHILLIPS ,8-18B X 0.250 (S/P)
17	131728900	BRACKET, CONTROL MTG. (S/P)
18	134076800	DESCONTINUADO
20	131122711	END CAP, WHITE ,LH
21	131810500	KNOB, TIMER ,WHITE/GRAY
22	131266300	SCREW, CR OVAL HEAD ,8-18AB X 1.250 ,BLACK (S/P)
23	134005200	WIRING HARNESS (S/P)
24	131111501	BUTTON, START SWITCH ,WHITE (S/P)
25	5303015671	SCREW, HEX WASHER HEAD ,8-18 X 0.375 (S/P)
27	131197000	CLIP, CONSOLE MTG (S/P)
31	131122701	END CAP, WHITE ,RH
39	131243700	SCREW, PAN HEAD ,8-18AB X 0.375 (S/P)
45	131205100	SCREW, NO.8 PAN HEAD ,10-10B X 0.500 (S/P)
53	134086802	PANEL, DRYER TOP ,WHITE ,CONSOLE MTG (S/P)
56	131243800	SCREW, PAN HD LOCKING (S/P)
F15	134398500	SWITCH, TEMPERATURE (S/P)
F38	5303210285	BUZZER (S/P)
F10	131469000	SWITCH, PUSH/START

SGR341AS2 MOTOR

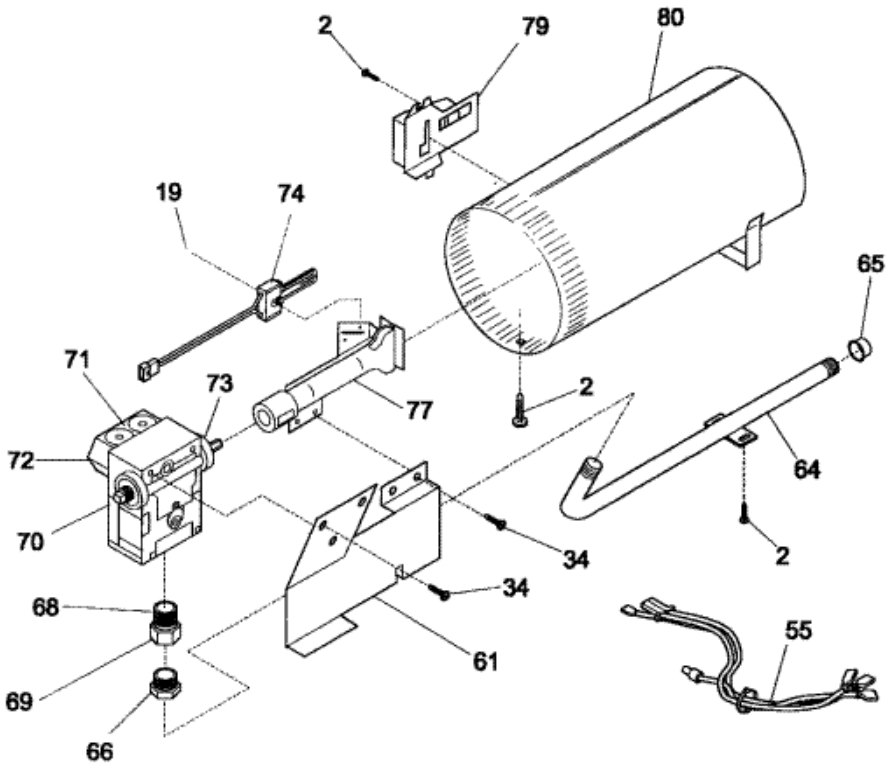




SGR341AS2 MOTOR

4	131435200	LOCK,BLOWER HOUSING (S/P)
7	131451600	TUBE,EXHAUST ,REAR ,W/MTG BRACKET (S/P)
11	131749800	SPACER,IDLER (S/P)
20	131017900	SCREW,HEX HEAD ,1/4-20T X 1.25 (S/P)
22	131601000	SPRING,IDLER ARM (S/P)
27	131419800	CLAMP,MOTOR MTG. (S/P)
34	131243700	SCREW,PAN HEAD ,8-18AB X 0.375 (S/P)
46	134203400	BRACKET,MOTOR MTG.
47	131633300	SEAL,EXHAUST TUBE (S/P)
48	131168200	SCREW,PAN HEAD ,8-18B X 0.31 (S/P)
52	131303100	SCREW,HEX WASHER HEAD ,10-16AB X 0.625 (S/P)
F15	131298400	THERMOSTAT-CONTROL
NI	131456800	TUBE,EXHAUST ,SIDE/BOTTOM ,OPTIONAL KIT (S/P)
F10	131775600	HOUSING,BLOWER ASSY ,COVER & WHEEL
F28	131560100	MOTOR,MAIN DRIVE ,W/PULLEY
F23	131863000	IDLER ARM
F25	134503600	BELT

SGR341AS2 QUEMADOR





SGR341AS2 QUEMADOR

2	131168200	SCREW,PAN HEAD ,8-18B X 0.31 (S/P)
19	131715500	CLIP,IGNITOR MTG (S/P)
34	131243700	SCREW,PAN HEAD ,8-18AB X 0.375 (S/P)
61	134185200	BRACKET,BURNER MTG (S/P)
64	134144900	PIPE,GAS ,RIGHT ANGLE (S/P)
65	8015112	CAP,PIPE (S/P)
66	134128700	BUSHING,COUPLING (S/P)
68	134185100	TAIL PIECE,COUPLING (S/P)
F77	131762900	BURNER,NON-ADJUSTABLE
NI	131776600	LP CONVERSION KIT
F55	134155800	WIRING HARNESS,GAS VALVE (S/P)
F80	134156101	TUBE,BURNER ,RIVETED (S/P)
F70	5303207409	VALVE,GAS (S/P)
F73	5303207410	ORIFICE,NATURAL GAS (S/P)
F74	5303937186	IGNITOR ASSY (S/P)
F72	5303931775	COIL,BOOSTER
F69	5308015194	UNION,HEX NUT
F79	5303281135	SENSOR,RADIANT (S/P)
F71	5303931775	COIL,SECONDARY