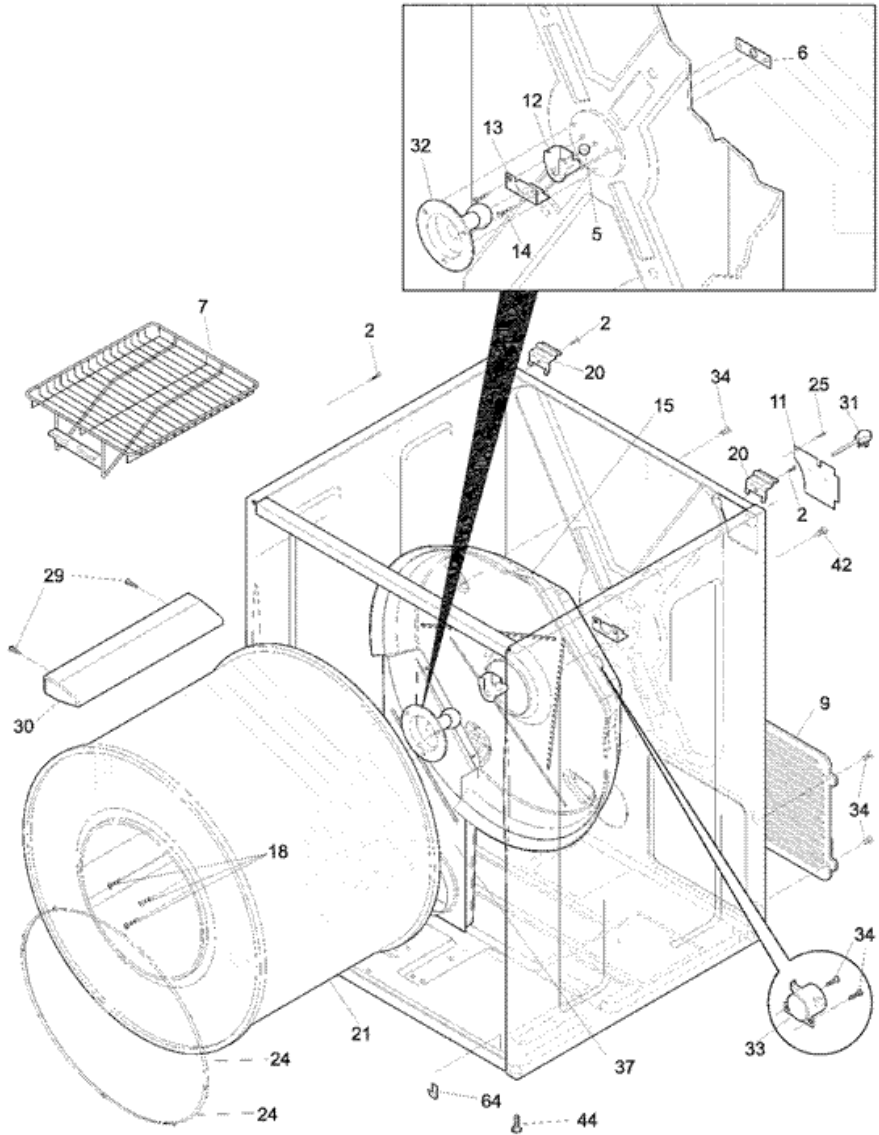


SGR341CC0 GABINETE

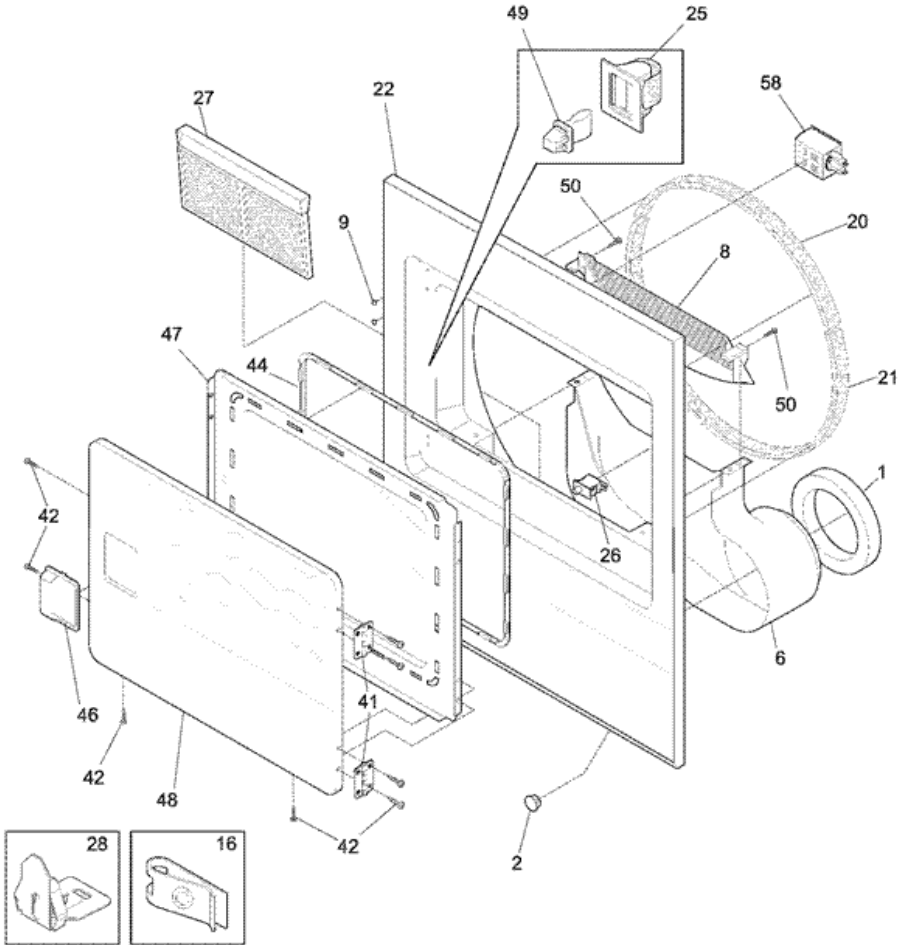




SGR341CC0 GABINETE

2	131168200	SCREW,PAN HEAD ,8-18B X 0.31 (S/P)
5	5303281019	BALL (S/P)
6	5303281020	CLIP,BALL ,STEEL ,FLAT NUT (S/P)
9	131793201	PANEL,ACCESS ,REAR (S/P)
11	131363200	COVER,TERMINAL BLOCK (S/P)
12	131825900	BEARING,DRUM SUPPORT
13	131724300	BRACKET,BEARING SUPPORT (S/P)
14	131205400	SCREW,BRACKET MTG. ,10-16B X 1.375 , (S/P)
18	131477000	SCREW,10-16AB X 0.375 (S/P)
20	131469100	BRACKET,HINGE ,REAR ,TOP PANEL MTG. (S/P)
21	134122532	DRUM,DRYER ,GALVANIZED STL. ,SERVICE KIT (S/P)
24	131963900	GLIDE,DRUM
25	5303015671	SCREW,HEX WASHER HEAD ,8-18 X 0.375 (S/P)
29	131382300	SCREW,QUADREX HEAD ,10-14 X 1.00 , (S/P)
30	5303201200	VANE,STRAIGHT
32	5303281153	SHAFT,DRUM SUPPORT ,BALLHITCH
34	215822000	SCREW,PAN HEAD ,8-18AB X 0.375 (S/P)
37	131952100	DUCT,HEAT (S/P)
42	134154100	SCREW,HEX WASHER HEAD ,10-32 X 0.375 , (S/P)
44	134158000	LEVELING LEG,SCREW (S/P)
64	131704600	CLIP (S/P)
NI	5303307893	LUBRICANT,HIGH TEMP (S/P)
F33	5308015399	THERMOSTAT,SAFETY
FNI	5303281153	REAR BEARING KIT,INCLUDES 5,6 ,12,13,14,18,32
NI	134101400	TERMINAL BLOCK,MAIN (S/P)
F31	134501200	POWER CORD,ELECTRIC SVCE (S/P)
F15	131776500	HOUSING,GAS HEATER ASSY ,W/SEAL (S/P)

SGR341CC0 PUERTA

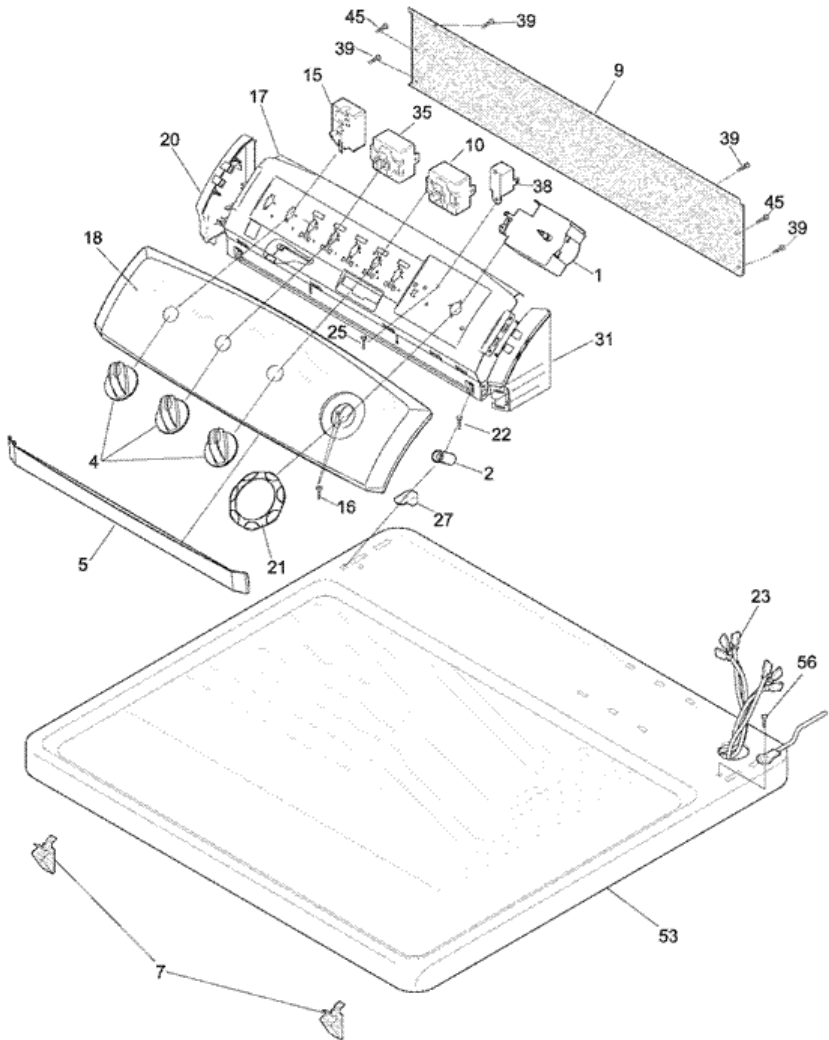




SGR341CC0 PUERTA

1	134417000	SEAL,AIR DUCT (S/P)
2	131397000	PLUG,DOME ,WHITE (S/P)
6	131621900	DUCT,AIR (S/P)
8	131622202	COVER,LINT HOUSING
9	131633200	PLUG,WHITE (S/P)
16	131063700	CLIP,WIRING (S/P)
20	5303937182	SEAL,FELT ,UPPER
21	5303937183	SEAL,FELT ,LOWER
22	5304412847	PANEL,FRONT ,WHITE ,W/LIGHT HOLE (S/P)
25	131658800	DOOR CATCH (S/P)
27	131450300	TRAP,LINT BLADE ASSY
28	5303281074	CLIP,GUIDE ,(3)
41	134222900	HINGE,DRYER DOOR (S/P)
42	131209600	SCREW,FLAT HEAD ,8-18AB X 0.44 (S/P)
44	131129900	GASKET,DOOR SEAL (S/P)
46	131644700	HANDLE,DOOR ,WHITE
47	131844104	PANEL,INNER DOOR ,WHITE (S/P)
48	131789303	PANEL,OUTER DOOR ,WHITE (S/P)
49	5303207102	DOOR STRIKE (S/P)
NI	5308027429	ADHESIVE,HIGH TEMP (S/P)
F26	134813601	SWITCH,DOOR ,WITH DRUM LIGHT (S/P)
F58	131843500	LAMP ASSY,DRUM LIGHT ,W/MTG BRACKET (S/P)
NI	131474700	INSULATION (S/P)
FNI	131843500	LAMP (S/P)

SGR341CC0 TABLERO

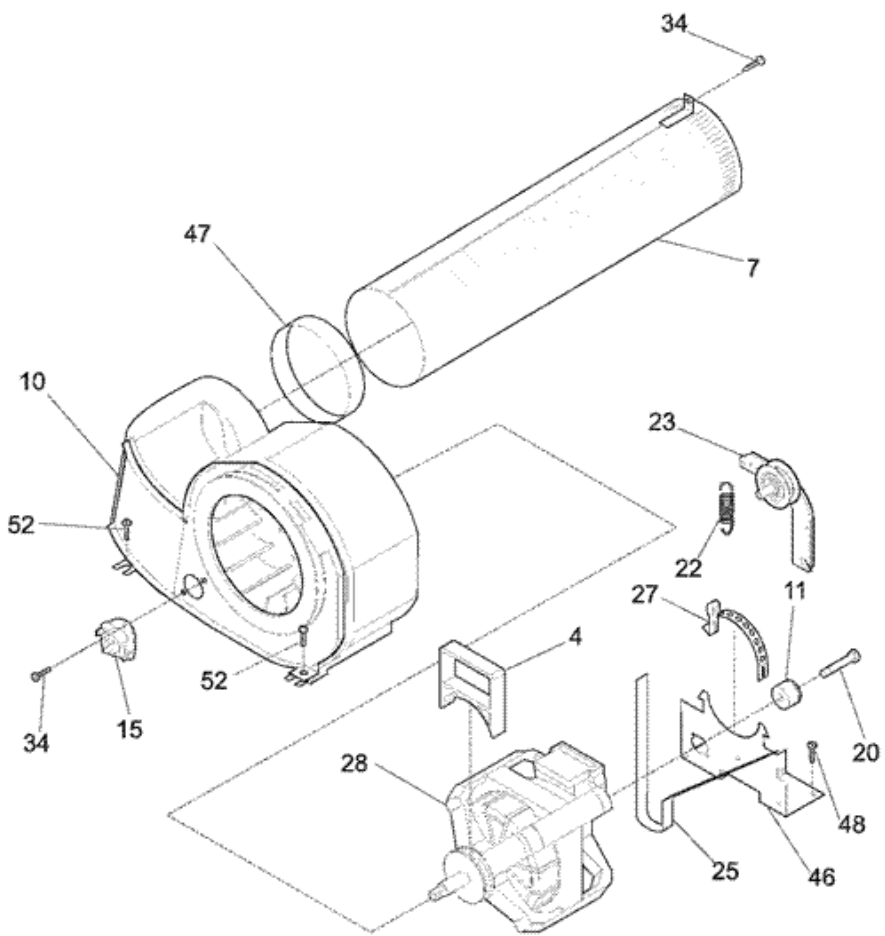




SGR341CC0 TABLERO

2	134096100	SPACER,CONSOLE MTG (S/P)
4	134034912	KNOB,ROTARY ,GRAPHITE/SILVER
5	134019920	CLOSURE,CONSOLE TRIM ,SILVER ,FRONT (S/P)
7	3205821	CLIP,TOP-TO-FRONT (S/P)
9	131992900	PANEL,BACKSHEET ,CONSOLE (S/P)
16	134034300	SCREW,PAN HD PHILLIPS ,8-18B X 0.250 (S/P)
17	131993010	BRACKET,CONTROL MTG. (S/P)
18	134327400	PANEL,TRIMPLATE ASSY ,WHITE (S/P)
20	134019621	END CAP,SILVER ,LH (S/P)
21	134886702	KNOB,TIMER ,GRAPHITE/SILVER (S/P)
22	131266330	SCREW,8-18 X 1.250 (S/P)
25	5303015671	SCREW,HEX WASHER HEAD ,8-18 X 0 .375 , (S/P)
27	131197000	CLIP,CONSOLE MTG (S/P)
31	134019620	END CAP,SILVER ,RH (S/P)
39	131168200	SCREW,PAN HEAD ,8-18B X 0.31 (S/P)
45	131205100	SCREW,NO.8 PAN HEAD ,10-10B X 0.500 , (S/P)
53	134086802	PANEL,DRYER TOP ,WHITE ,CONSOLE MTG (S/P)
56	131243800	SCREW,PAN HD LOCKING ,8-32CA X 0.375 (S/P)
F10	134398300	SWITCH,START ,TURN TYPE
FNI	131629600	WIRING HARNESS,MINI BUZZER (S/P)
FNI	134101400	· TERMINAL BLOCK,MAIN (S/P)
F15	134398500	SWITCH,TEMPERATURE (S/P)
F1	131583801	TIMER,DRYER ,3-OFF
F38	131629400	BUZZER,MINI (S/P)
F23	134005300	WIRING HARNESS,MAIN (S/P)
F35	134904500	SWITCH,2 POSITION (S/P)

SGR341CC0 MOTOR

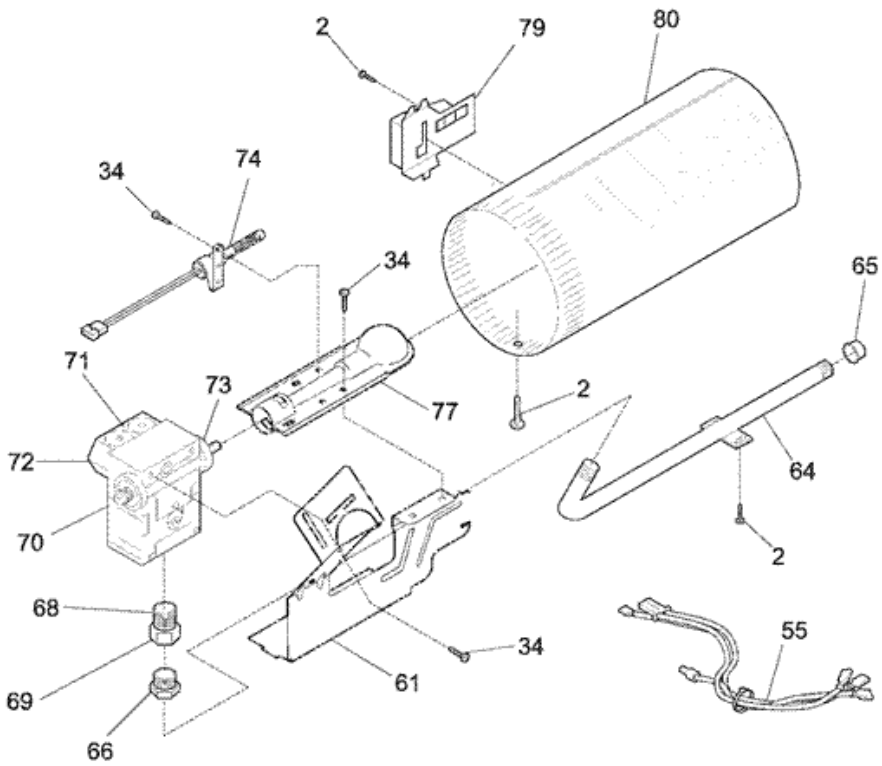




SGR341CC0 MOTOR

4	131435200	LOCK,BLOWER HOUSING (S/P)
7	131451600	TUBE,EXHAUST ,REAR ,W/MTG BRACKET (S/P)
11	131749800	SPACER,IDLER (S/P)
20	131017900	SCREW,HEX HEAD ,1/4-20T X 1.25 , (S/P)
22	131601000	SPRING,IDLER ARM (S/P)
27	134242400	CLAMP,MOTOR MTG. (S/P)
34	215822000	SCREW,PAN HEAD ,8-18AB X 0.375 , (S/P)
46	134203400	BRACKET,MOTOR MTG
47	131633300	SEAL,EXHAUST TUBE (S/P)
48	131168200	SCREW,PAN HEAD ,8-18B X 0.31 (S/P)
52	131303100	SCREW,HEX WASHER HEAD , (S/P)
F10	131775600	HOUSING,BLOWER ASSY ,COVER & WHEEL
F25	134503600	BELT,DRYER
F15	131298400	THERMOSTAT,TEMP CONTROL
NI	131456800	TUBE,EXHAUST ,SIDE/BOTTOM (S/P)
F28	131560100	MOTOR,MAIN DRIVE ,W/PULLEY
F23	131863000	IDLER ARM

SGR341CC0 QUEMADOR





SGR341CC0 QUEMADOR

2	131168200	SCREW,PAN HEAD ,8-18B X 0.31 (S/P)
34	215822000	SCREW,PAN HEAD ,8-18AB X 0.375 (S/P)
61	134122000	BRACKET,BURNER MTG (S/P)
65	8015112	CAP,PIPE (S/P)
F70	134169200	VALVE,LP GAS (S/P)
NI	134169500	GAS CONVERSION KIT,LP TO NATURAL (S/P)
F55	134264700	WIRING HARNESS,GAS VALVE (S/P)
F66	134128700	BUSHING,COUPLER (S/P)
F64	134144900	PIPE,GAS ,RIGHT ANGLE (S/P)
F68	134185100	TAIL PIECE,COUPLING (S/P)
F80	134200801	TUBE,BURNER ,RIVETED (S/P)
F77	134216600	BURNER ASSY (S/P)
F71	5303931775	SOLENOID,SECONDARY COIL
F73	5303207411	ORIFICE,LP GAS ,NO.55
F69	5308015194	UNION,HEX NUT (S/P)
F79	5303281135	SENSOR,RADIANT (S/P)
F72	5303931775	SOLENOID,BOOSTER COIL
F74	134393700	IGNITER ASSY (S/P)
FNI	5303207410	ORIFICE,NATURAL GAS ,SIZE 44 (S/P)