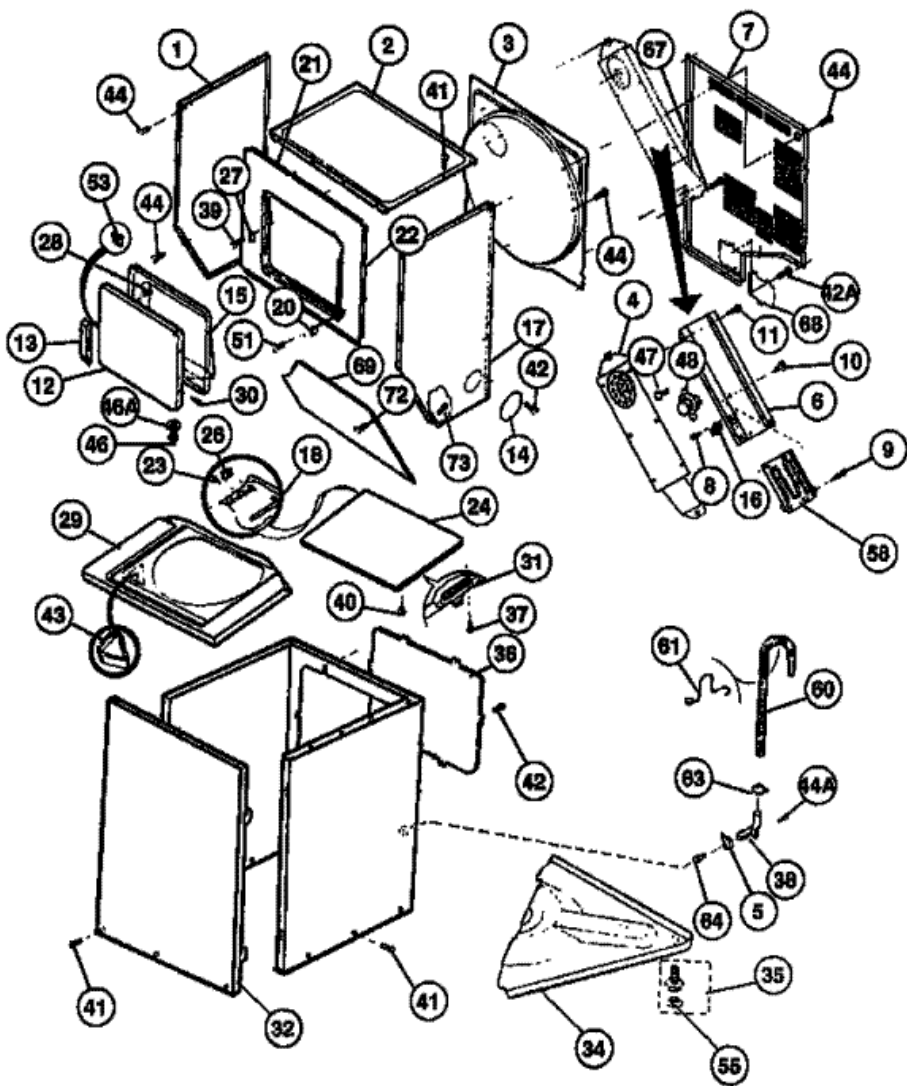


Distribuidor Autorizado

SurteRápido.com

Venta de Refacciones
Electrodomesticas

SM115PXW3 GABINETE





SM115PXW3 GABINETE

| | | |
|----|------------|-----------------------------|
| 1 | 5303209761 | DESCONTINUADO |
| 2 | 3204948 | PANEL-TOP (WHITE) (S/P) |
| 3 | 3017111 | PANEL-REAR (S/P) |
| 4 | 8015820 | PANEL-FRONT (S/P) |
| 5 | 5364154013 | CLAMP (S/P) |
| 6 | 3205055 | DESCONTINUADO |
| 7 | 3016426 | PANEL-VENTILATION (S/P) |
| 8 | 5303285470 | SCREW (S/P) |
| 9 | 3161234 | DESCONTINUADO |
| 10 | 5303285470 | SCREW-HEATER (4) (S/P) |
| 12 | 3016427 | DESCONTINUADO |
| 13 | 5303285455 | HANDLE-DOOR |
| 14 | 3204952 | COVER-EXHAUST (WHITE) (S/P) |
| 15 | 3016433 | DESCONTINUADO |
| 16 | 8015853 | THERMOSTAT-SAFETY (S/P) |
| 17 | 5303209763 | DESCONTINUADO |
| 18 | 3205942 | DESCONTINUADO |
| 20 | 3204959 | HINGE-DOOR (2) |
| 21 | 3204961 | DESCONTINUADO |
| 22 | 5303206877 | SEAL-DOOR |
| 23 | 5303211089 | SCREW (4) (S/P) |
| 24 | 3204965 | DESCONTINUADO |
| 26 | 3204362 | GROMMET-HINGE (S/P) |
| 27 | 5303292720 | DESCONTINUADO |
| 28 | 5308006553 | SCREW (S/P) |
| 29 | 5303207099 | DESCONTINUADO |
| 30 | 5303161187 | SCREW (S/P) |
| 31 | 131390000 | STRIKE-LID |
| 32 | 3204973 | PANEL-FRONT (WHITE) (S/P) |
| 34 | 131157606 | DESCONTINUADO |
| 35 | 5303272067 | LEG LEVELING (4) (S/P) |
| 36 | 3204980 | PANEL-REAR (S/P) |
| 37 | 3204368 | SCREW (S/P) |
| 38 | 5308015078 | COUPLER (S/P) |
| 39 | 3161237 | RIVET (S/P) |

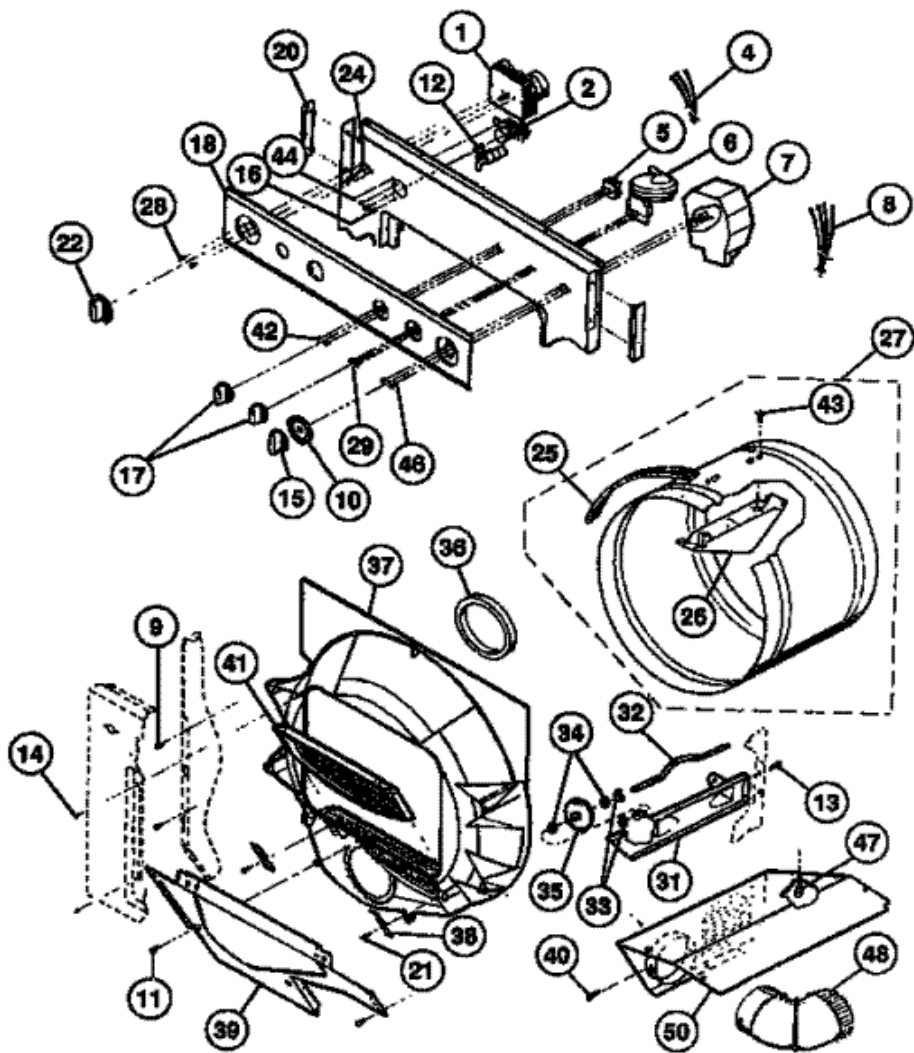
| | | |
|-----|------------|------------------------|
| 40 | 3204981 | BUMPER (2) (S/P) |
| 41 | 8001578 | SCREW (9) (S/P) |
| 42 | 5303207399 | SCREW (S/P) |
| 43 | 3204983 | DISPENSER-BLEACH (S/P) |
| 44 | 8011280 | DESCONTINUADO |
| 46 | 3016440 | PIN-HINGE (2) (S/P) |
| 47 | 3204269 | SCREW (S/P) |
| 48 | 5303208647 | THERMAL LIMITER |
| 51 | 5303285467 | SCREW (S/P) |
| 53 | 3016442 | PLATE-STRIKE |
| 55 | 131422100 | PAD-LEGS (4) |
| 58 | 5303292721 | DESCONTINUADO |
| 60 | 5303292372 | HOSE-DRAIN (S/P) |
| 61 | 5303204987 | RETAINER-HOSE (S/P) |
| 63 | 8014913 | CLAMP (S/P) |
| 64 | 5308014555 | CHECK VALVE (S/P) |
| 67 | 5303285470 | SCREW (S/P) |
| 68 | 5303212087 | COVER-TERMINAL (S/P) |
| 69 | 5303207099 | DESCONTINUADO |
| 72 | 5308011318 | SCREW (S/P) |
| 73 | 3161240 | SCREW (S/P) |
| 63A | 3161250 | TIE-CABLE (S/P) |
| 44A | 3204984 | DESCONTINUADO |
| 46A | 5303208633 | DESCONTINUADO |
| 42A | 5303285470 | SCREW (S/P) |

Distribuidor Autorizado

SurteRápido.com

Venta de Refacciones
Electrodomesticas

SM115PXW3 TABLERO / TAMBOR





SM115PXW3 TABLERO / TAMBOR

| | | |
|----|------------|-------------------------------|
| 1 | 5303207217 | TIMER-DRYER |
| 2 | 5303212833 | SWITCH-PUSH TO START |
| 4 | 5303283105 | HARNESS-DRYER (S/P) |
| 5 | 5303017895 | SWITCH-TEMPERATURE (S/P) |
| 6 | 131065400 | DESCONTINUADO |
| 7 | 5303289594 | TIMER-WASHER |
| 8 | 131027000 | HARNESS-WASHER (S/P) |
| 9 | 5303161244 | SCREW (4) (S/P) |
| 10 | 3204999 | DIAL (S/P) |
| 12 | 3205000 | DESCONTINUADO |
| 13 | 8011280 | DESCONTINUADO |
| 14 | 5303285467 | SCREW (S/P) |
| 15 | 3205947 | DESCONTINUADO |
| 16 | 8001544 | SCREW (S/P) |
| 17 | 3205948 | KNOB-ROTARY |
| 18 | 5303207219 | DESCONTINUADO |
| 20 | 3205006 | END CAP (2) (S/P) |
| 21 | 5308006553 | SCREW (S/P) |
| 22 | 5303212109 | KNOB & DIAL ASSY |
| 24 | 3205008 | SPEEDNUT (4) (S/P) |
| 25 | 5303286418 | SEAL-DRUM (FRONT & REAR) |
| 26 | 3161076 | BAFFLE-DRUM (S/P) |
| 27 | 3205010 | DESCONTINUADO |
| 28 | 8001544 | SCREW-TIMER (S/P) |
| 31 | 3017901 | DESCONTINUADO |
| 31 | 3017902 | BRACKET-DRUM LH (S/P) |
| 32 | 5308004076 | SHAFT-DRUM (S/P) |
| 33 | 3161255 | RETAINING RING (4) (S/P) |
| 34 | 8012152 | WASHER (4) (S/P) |
| 35 | 3161255 | ROLLER & WHEEL ASSY (4) (S/P) |
| 36 | 5303209445 | SEAL-LINT HSG |
| 37 | 131070300 | DESCONTINUADO |
| 38 | 3205013 | GUIDE (S/P) |
| 39 | 3205014 | DESCONTINUADO |
| 40 | 3161240 | SCREW (S/P) |

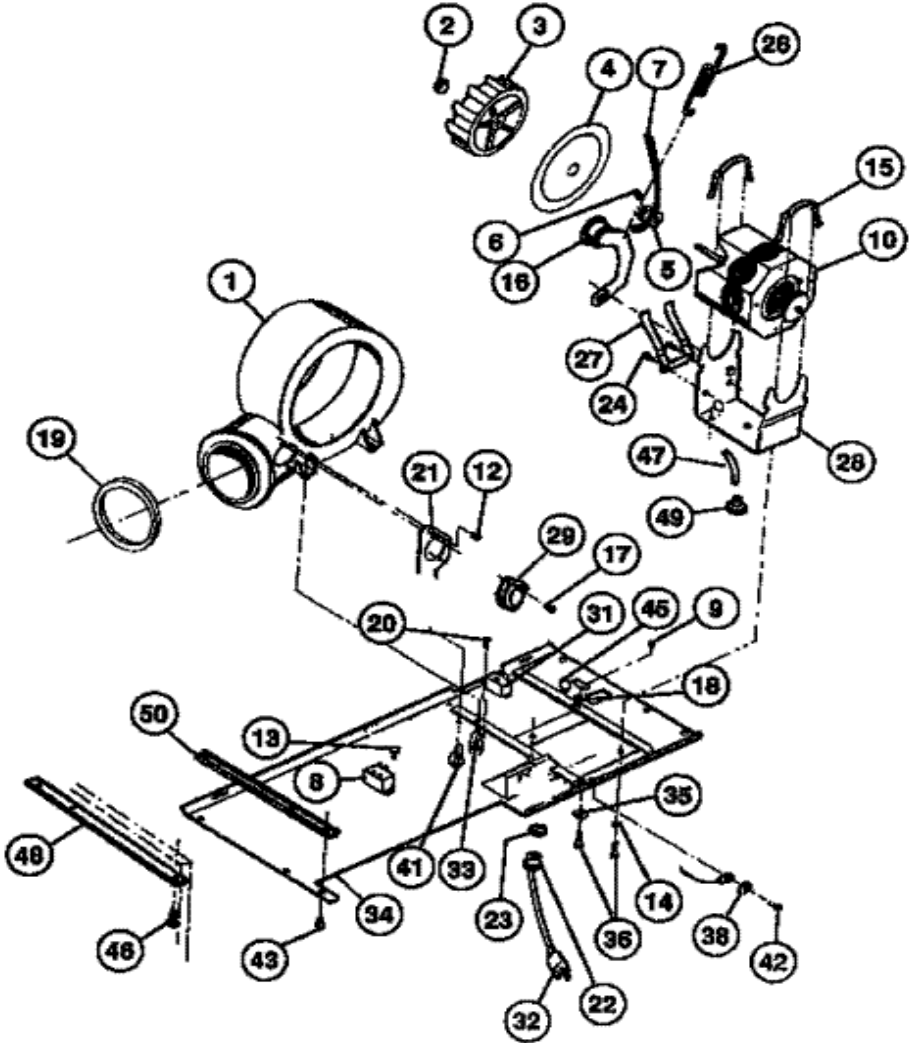
| | | |
|----|------------|----------------------|
| 41 | 3205015 | LINT SCREEN |
| 42 | 5303208454 | SCREW (S/P) |
| 43 | 5308006553 | SCREW (S/P) |
| 44 | 8010804 | SCREW (S/P) |
| 46 | 8001544 | SCREW (S/P) |
| 47 | 3205016 | SCREW (S/P) |
| 48 | 3205017 | DESCONTINUADO |
| 50 | 3016460 | DESCONTINUADO |

Distribuidor Autorizado

SurteRápido.com

Venta de Refacciones
Electrodomesticas

SM115PXW3 TURBINA





SM115PXW3 TURBINA

| | | |
|----|------------|--------------------------|
| 1 | 5303209767 | HOUSING-BLOWER (S/P) |
| 2 | 5300807813 | SPRING CLIP |
| 3 | 5303209769 | WHEEL-BLOWER |
| 4 | 5303209770 | DESCONTINUADO |
| 5 | 5303211473 | PULLEY-MOTOR (S/P) |
| 6 | 5308027520 | SET SCREW (S/P) |
| 7 | 5303161099 | BELT-DRUM |
| 8 | 3205062 | RELAY |
| 9 | 3161240 | SCREW (S/P) |
| 10 | 5303322549 | MOTOR-DRYER |
| 12 | 5303285470 | SCREW (S/P) |
| 13 | 5303209426 | SCREW (S/P) |
| 14 | 5363602000 | LOCK WASHER (S/P) |
| 15 | 5308002293 | CLIP (S/P) |
| 16 | 5303161103 | IDLER ARM & WHEEL ASSY |
| 17 | 5303285470 | SCREW (S/P) |
| 18 | 5379171000 | TERMINAL (S/P) |
| 19 | 5303209442 | GASKET (S/P) |
| 20 | 8011280 | DESCONTINUADO |
| 21 | 3016464 | DESCONTINUADO |
| 22 | 5303209428 | BUSHING (S/P) |
| 23 | 3205063 | DESCONTINUADO |
| 24 | 8004646 | SCREW (S/P) |
| 26 | 5308015828 | SPRING |
| 27 | 8015824 | RETAINER (S/P) |
| 28 | 3016466 | MOTOR CRADLE (S/P) |
| 29 | 5308015398 | THERMOSTAT-CONTROL (S/P) |
| 31 | 5308004087 | BUZZER |
| 32 | 8004650 | POWER CORD (S/P) |
| 33 | 5308006553 | SCREW (S/P) |
| 34 | 3205024 | DESCONTINUADO |
| 35 | 5308002468 | WASHER (S/P) |
| 36 | 5308027582 | SCREW (S/P) |
| 38 | 8001572 | CUP WASHER (S/P) |
| 41 | 8004646 | SCREW (S/P) |

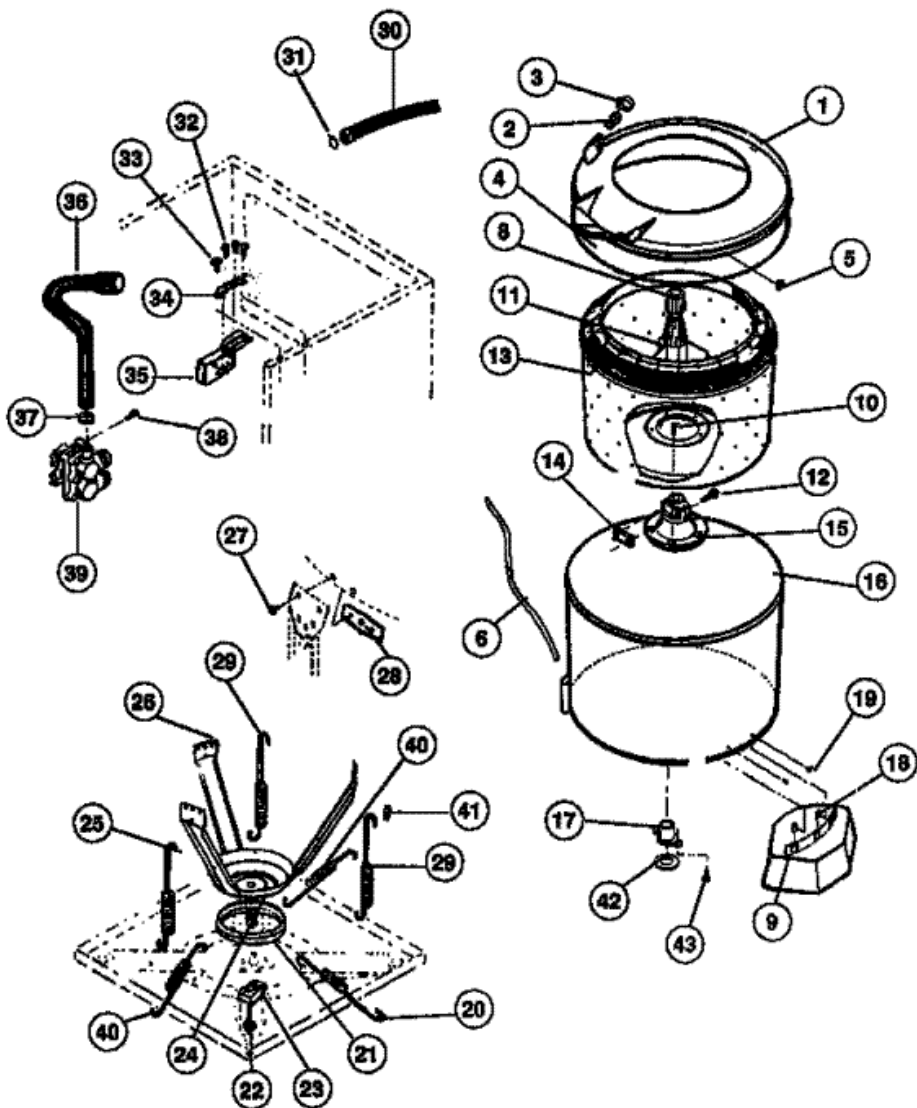
| | | |
|----|------------|----------------------|
| 42 | 3161275 | SCREW (S/P) |
| 43 | 5308027582 | SCREW (S/P) |
| 45 | 8006557 | RETAINER (S/P) |
| 46 | 5308027582 | SCREW (S/P) |
| 47 | 5300771996 | TUBE-PRESSURE (S/P) |
| 48 | 3016468 | DESCONTINUADO |
| 49 | 8006559 | CONNECTOR (S/P) |
| 50 | 3016469 | PLATE (S/P) |

Distribuidor Autorizado

SurteRápido.com

Venta de Refacciones
Electrodomesticas

SM115PXW3 TINAS





SM115PXW3 TINAS

| | | |
|----|------------|---------------------------|
| 1 | 3205029 | COVER-TUB |
| 2 | 5308027515 | VALVE-CHECK (S/P) |
| 3 | F140887026 | CLAMP (S/P) |
| 4 | 5303161121 | SEAL-TUB COVER (S/P) |
| 5 | 5303161199 | CLIP (8) |
| 6 | 5303292722 | TUBE-PRESSURE (S/P) |
| 8 | 5303161122 | CAP-AGITATOR |
| 9 | 5303283049 | SHIELD-MOTOR (S/P) |
| 10 | 5303283293 | SCREW (5) |
| 11 | 5303283050 | DESCONTINUADO |
| 12 | 5308027517 | SCREW (S/P) |
| 13 | 131000900 | TUB-SPIN (S/P) |
| 14 | 5308001923 | LOCKPLATE |
| 15 | 131545101 | TRUNNION |
| 16 | 131033000 | TUB-OUTER (S/P) |
| 17 | 3204405 | BEARING HOUSING ASSY |
| 18 | 5303283052 | CLIP (S/P) |
| 19 | 5303283053 | SCREW (S/P) |
| 20 | 5308006573 | SPRING-HORIZONTAL-LONG |
| 21 | 5308002385 | SNUBBER RING |
| 22 | 5303161284 | BOLT-SHIPPING (S/P) |
| 23 | 5303161202 | BLOCK-SHIPPING (S/P) |
| 24 | 3161203 | NUT (S/P) |
| 25 | 5303161131 | SPRING-VERTICAL-SHORT |
| 26 | 5303283054 | LEG & DOME (S/P) |
| 27 | 3161205 | DESCONTINUADO |
| 28 | 5303269887 | DESCONTINUADO |
| 29 | 5303161133 | SPRING-VERTICAL-SHORT |
| 30 | 131279600 | HOSE-INLET (2) (S/P) |
| 31 | 5303161296 | WASHER (4) (S/P) |
| 32 | 8001578 | SCREW (S/P) |
| 33 | 5303285470 | SCREW (S/P) |
| 34 | 3205035 | BRACKET-LID LOCK (S/P) |
| 35 | 3205033 | LID-LOCK (S/P) |
| 36 | 3205034 | HOSE-VALVE TO INLET (S/P) |

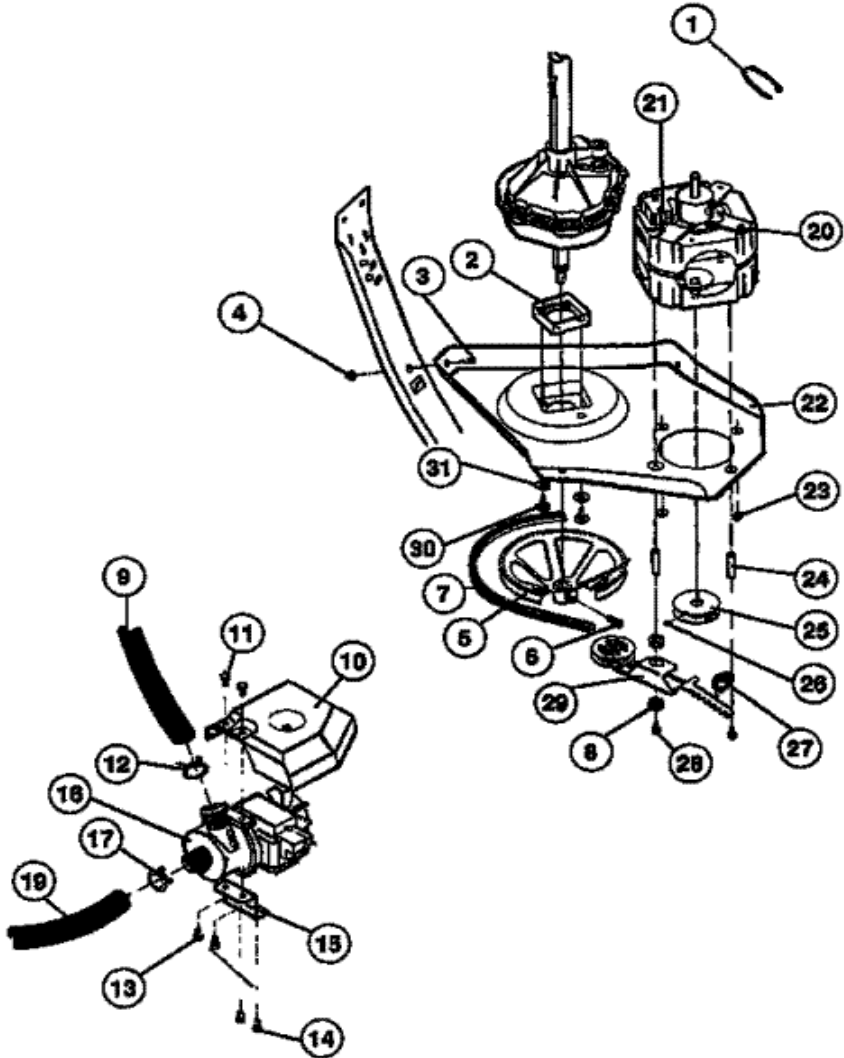
| | | |
|----|------------|----------------------------------|
| 37 | 5364154013 | CLAMP-HOSE (S/P) |
| 38 | 5303010202 | SCREW (S/P) |
| 39 | 134190200 | VALVE-WATER |
| 40 | 5308006573 | SPRING-HORIZONTAL (2) |
| 41 | 3161288 | CLIP-HARNESS TO LEG (S/P) |
| 42 | 5308002401 | WASHER |
| 43 | 3205150 | SCREW (S/P) |

Distribuidor Autorizado

SurteRápido.com

Venta de Refacciones
Electrodomesticas

SM115PXW3 MOTOR





SM115PXW3 MOTOR

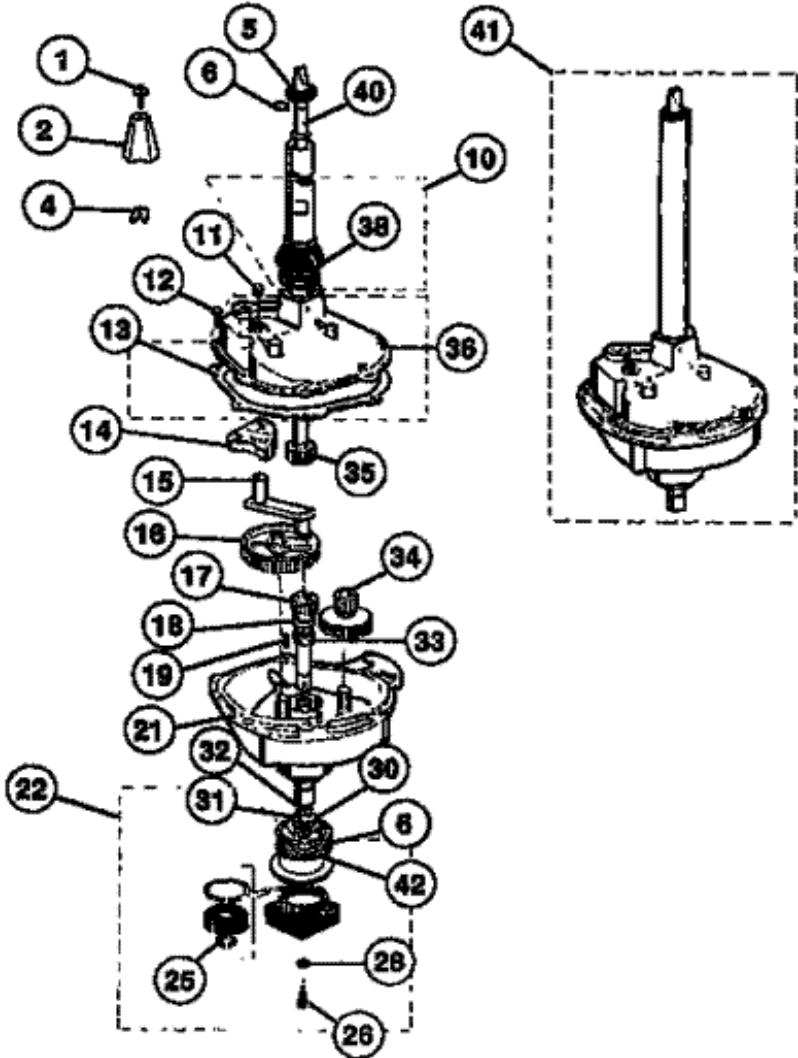
| | | |
|----|------------|----------------------------|
| 1 | 5303161300 | CABLE - TIE (S/P) |
| 2 | 5377009100 | DESCONTINUADO |
| 3 | 3161211 | BOLT (3) (S/P) |
| 4 | 3161212 | LOCKNUT (3) (S/P) |
| 5 | 5303937080 | PULLEY - TRANSMISSION |
| 6 | 5303270023 | SET SCREW (S/P) |
| 7 | 5303280326 | BELT - DRIVE |
| 8 | 8027535 | BUSHING (S/P) |
| 9 | 5303284139 | HOSE - PUMP TO DRAIN (S/P) |
| 10 | 5303283071 | SHIELD - PUMP |
| 11 | 5303283072 | SCREW (S/P) |
| 12 | 5303283076 | CLAMP (S/P) |
| 13 | 5303283072 | SCREW (S/P) |
| 14 | 3205020 | SCREW (S/P) |
| 15 | 5303284141 | BRACKET (S/P) |
| 16 | 5303292169 | PUMP - COMPLETE |
| 17 | 5303283073 | DESCONTINUADO |
| 19 | 5303283078 | HOSE - PUMP TO TUB (S/P) |
| 20 | 131162300 | MOTOR & SWITCH |
| 21 | 5303293588 | SWITCH-MOTOR |
| 22 | 8002472 | PLATE - SUPPORT (S/P) |
| 23 | 5303283079 | LOCK NUT (S/P) |
| 24 | 5303161303 | SPACER |
| 25 | 131031900 | PULLEY - MOTOR |
| 26 | 5303206869 | SET SCREW (S/P) |
| 27 | 5308002456 | SPRING - TENSION |
| 28 | 5303283080 | SCREW (S/P) |
| 29 | 5303937001 | IDLER ARM |
| 30 | 5308027582 | SCREW (S/P) |
| 31 | 5303207426 | SPACER (S/P) |

Distribuidor Autorizado

SurteRápido.com

Venta de Refacciones
Electrodomesticas

SM115PXW3 TRANSMISION





SM115PXW3 TRANSMISION

| | | |
|----|------------|---------------------------|
| 1 | 5303161221 | STUD BOLT-AGITATOR SHAFT |
| 2 | 5303280324 | DRIVE BLOCK |
| 4 | 5303280325 | SHIM |
| 5 | 5303161307 | SEAL - UPPER LIP |
| 6 | 5303161223 | RETAINING RING |
| 10 | 5308950197 | WATER SEAL KIT |
| 11 | 5303161224 | PIPE PLUG (S/P) |
| 12 | 8002804 | SCREW (4) (S/P) |
| 13 | 5308015778 | GASKET |
| 14 | 5308011268 | GEAR – SECTOR |
| 15 | 131632701 | ROD – CONNECTING |
| 16 | 5308015496 | GEAR – CRANK |
| 17 | 5308014905 | DESCONTINUADO |
| 18 | 5303161226 | THRUST WASHER (S/P) |
| 19 | 5303161227 | DOWEL PIN (2) (S/P) |
| 21 | 5303912535 | HOUSING LOWER (S/P) |
| 22 | 5304412079 | DESCONTINUADO |
| 25 | 5308015536 | RETAINING RING (S/P) |
| 26 | 5308027582 | SCREW (S/P) |
| 28 | 5303207426 | SPACER - RUBBER (2) (S/P) |
| 30 | 5308002475 | SPACER WASHER (S/P) |
| 31 | 5303161226 | THRUST WASHER (S/P) |
| 32 | 5303161173 | SEAL - LOWER LIP |
| 33 | 5303161174 | SPRING (SMALL) LGS |
| 34 | 5303161175 | GEAR – IDLER |
| 35 | 134736400 | SHAFT ASSY – AGITATOR |
| 38 | 5303272073 | SLINGER |
| 40 | 5303161232 | THRUST WASHER |
| 41 | 134736400 | TRANSMISSION - COMPLETE |
| 42 | 5308057430 | WASHER-CLUTCH COIL (S/P) |