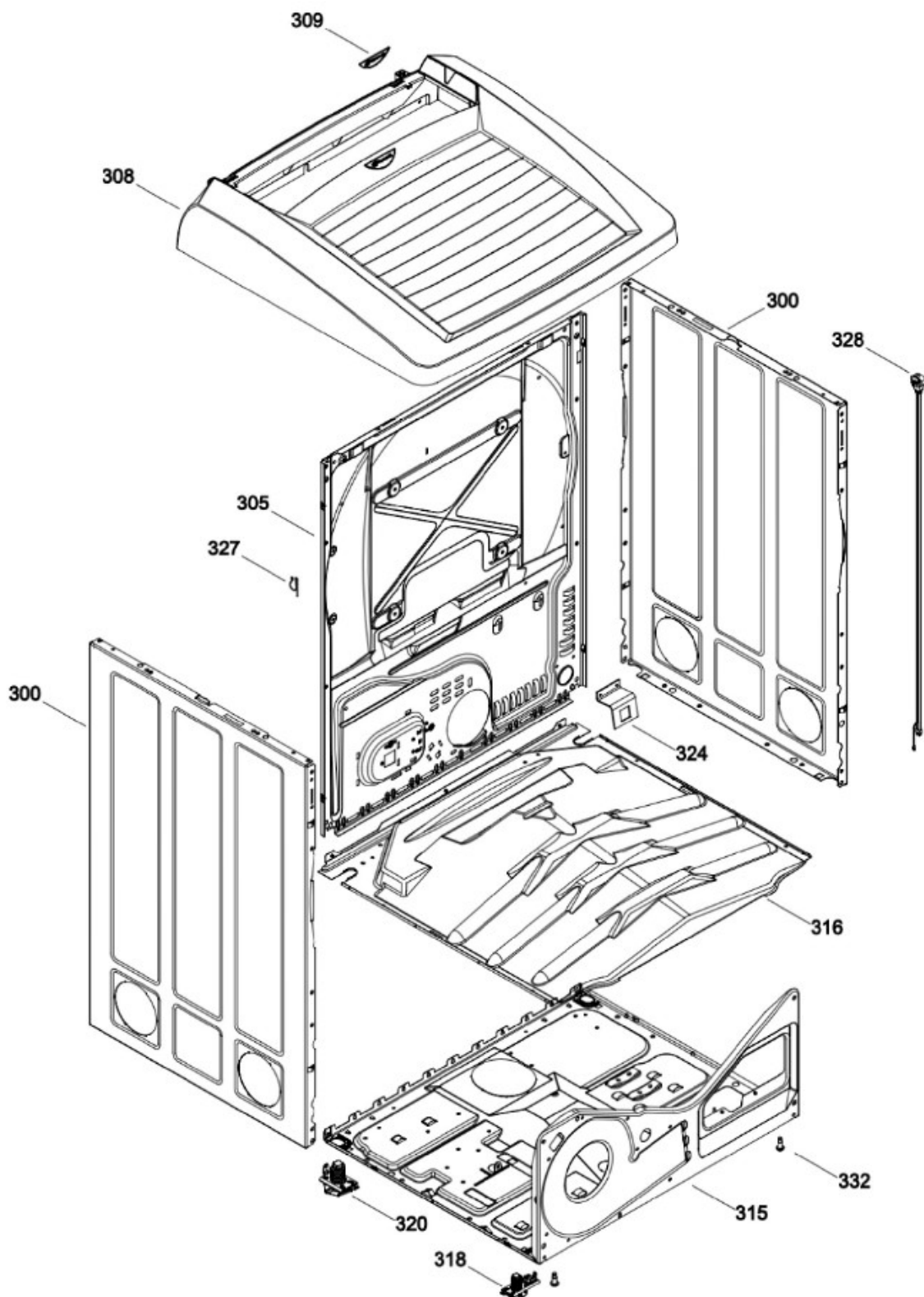


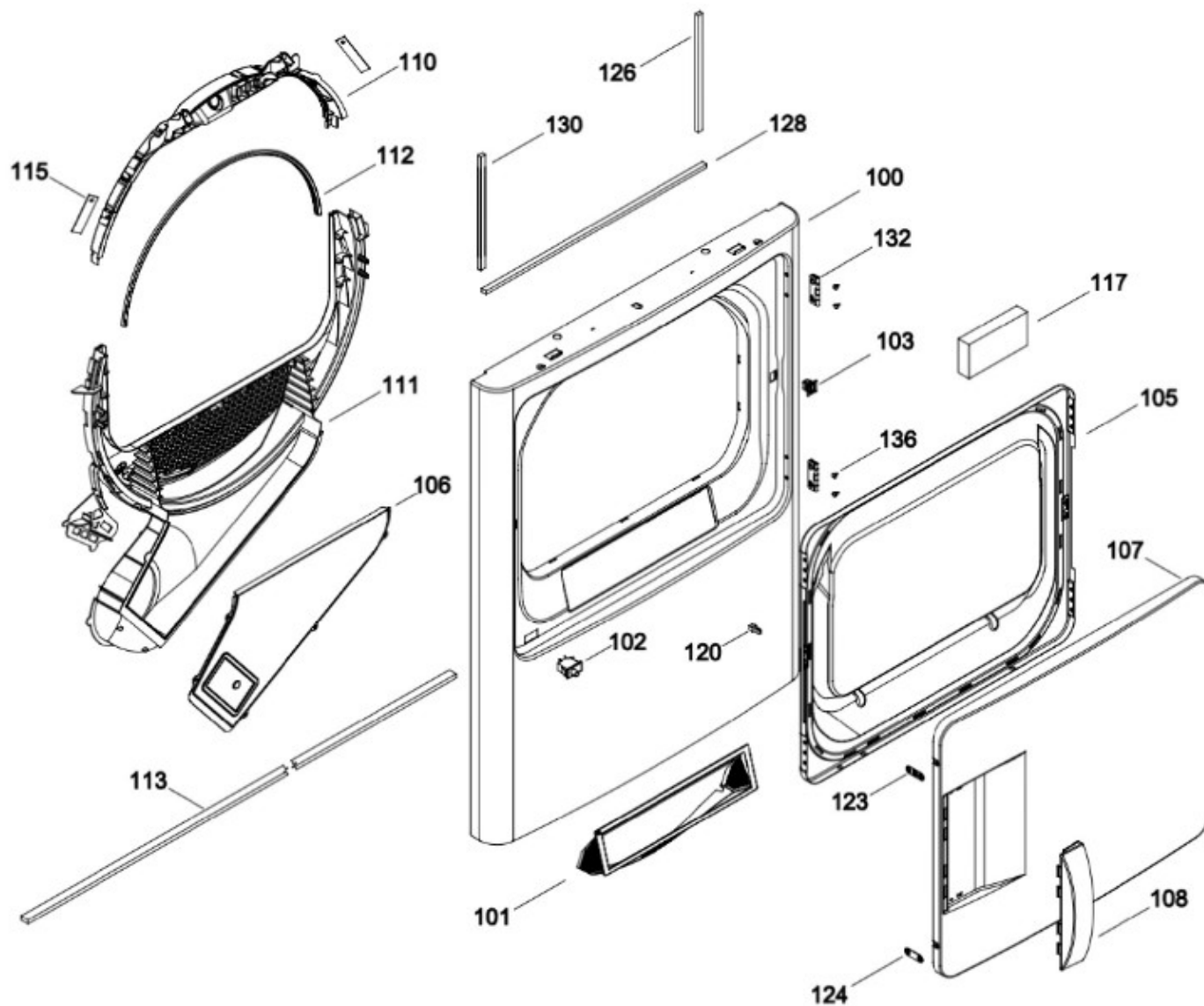
GABINETE

SMA1330PWW0



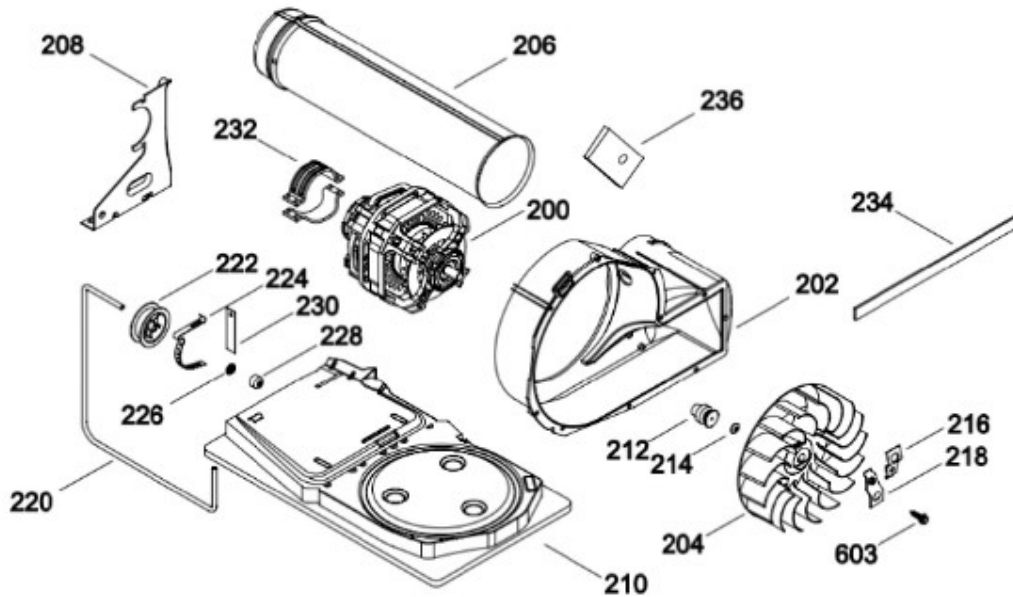
PUERTA (ENS)

SMA1330PWW0



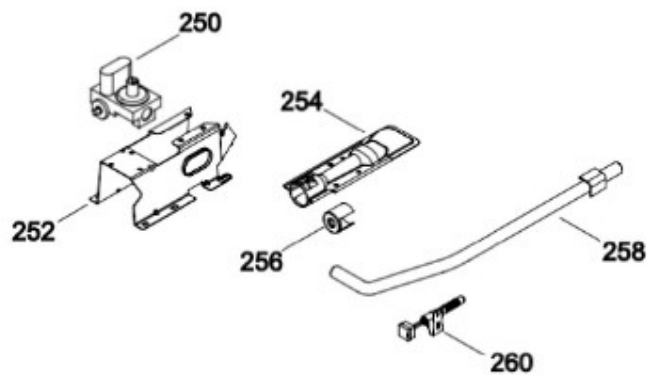
SISTEMA DE TRANSMISION / BLOWER & DRIVE ASSEMBLY

SMA1330PWW0



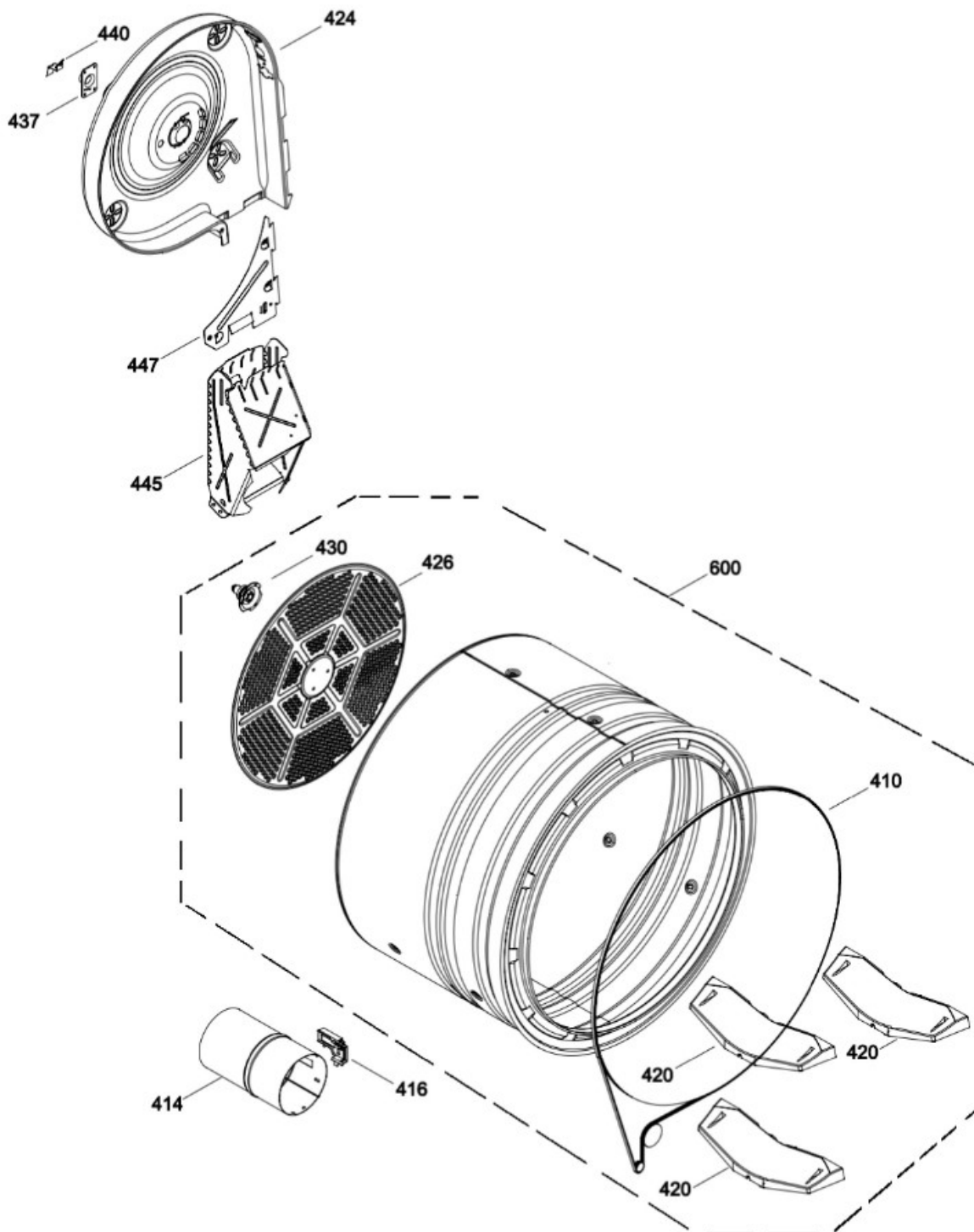
QUEMADOR / BURNER

SMA1330PWW0



TAMBOR

SMA1330PWW0



Guía	Refacción	Descripción
1	WW02L00059	COPETE
2	WW02F00036	OVERLAY
2	WW02F00581	OVERLAY
7	WW02L00123	ENS. PERILLA CONTROL
8	WW02L00121	ENS. PERILLA ROTATORIA
15	212D1233P003	RELOJ (IGUAZU 6 CU.FT GAS)
16	WW02L00082	INTERRUPTOR ROTATORIO
16	WW02L00083	INTERRUPTOR DE INICIO
25	WW02F00042	ENS. ARNES
25	WW02F00449	ENS. ARNES
27	WW02F00053	ARNES PANEL CONTROL
100	WW02L00049	PANEL FRONTAL
101	WW03F00123	FILTRO (BCO)
101	WW02F00190	FILTRO (BCO)
101	WW02F00615	FILTRO ATRAPAPELUSA
101	WW02F00616	FILTRO
102	WW02L00025	INTERRUPTOR PUERTA
103	WW02L00037	LATCH ASM.
105	WW02L00053	INNER DOOR
106	WW02L00061	CUBIERTA DUCTO
107	WW02L00051	PUERTA EXTERIOR
107	WW02L00051	PUERTA EXTERIOR
107	WW02L00051	PUERTA EXTERIOR
108	WW02L00016	JALADERA PUERTA(BCO)
110	WW02F00010	COJINETE SUP.
110	WW01L01430	COJINETE SUP.
111	WW02F00178	TRAMPA CONDUCTO
111	WW02L00103	TRAMPA CONDUCTO
111	WW02F00600	DUCTO
112	WW02L00145	SELLO PUERTA
113	WW02L00139	FIELTRO
113	WW02L00138	FIELTRO
115	WW02A00033	BEARING_SLIDE
117	WW02A00025	ESPACIADOR DE PUERTA SOLIDA
120	WW02A00004	STRIKE
123	WW02A00056	STRIKE PLATE
124	WW02A00057	STRIKE PLATE
126	WW02L00039	SELLO

Guía	Refacción	Descripción
126	WW03F00354	SELLO
128	WW02L00041	SELLO
130	WW02L00042	SELLO
132	WW02L00029	BISAGRA
132	WW02L00028	BISAGRA
136	WW02A00065	BOTON BELLEZA
200	WW02F00186	ENS. MOTOR
200	WW02A00191	ENS. MOTOR
202	WW02A00012	CARCAZA ASPAS
202	WW02L00013	CARCAZA ASPAS
204	WW02A00073	VENTILADOR REDONDO
206	572D559P006	CONDUCTO DE ESCAPE
208	WW02F00027	SOPORTE MOTOR
210	WW02F00098	PLATO MOTOR
214	WW02A00002	ARANDELA
216	WW02A00038	VENTILADOR
216	WW02A00040	VENTILADOR
218	WW02A00039	VENTILADOR
218	WW02A00041	VENTILADOR
220	WW02A00060	BRAZO TENS.OR
220	WW03L00340	BRAZO TENS.OR
222	WW02L00151	POLEA
222	WW02F00871	POLEA
224	WW02F00031	CLIP MOTOR
226	WW02A00034	TAPA TUERCA
228	WW02A00003	TAPA
230	WW02L00033	ESPACIADOR ESPUMADO
232	WW02F00003	CORREA MOTOR
232	WW02A00232	CORREA MOTOR
234	WW02A00026	EMPAQUE ESCAPE SOPLADOR
234	WW02F00785	EMPAQUE ESCAPE SOPLADOR
236	WW02L00038	BEARING_SLIDE
250	WW02F00095	VALVUAL DE GAS ENS.
252	WW02F00077	GAS VALVE BRACKET
252	WW03A00125	GAS VALVE BRACKET
254	WW02A00020	QUEMADORES
256	WW02L00140	AIRADOR
258	WW02A00058	PIPE & LUG ASM.

Guía	Refacción	Descripción
258	WW03F00137	PIPE & LUG ASM.
260	WW02F00002	ALLUME-GAZ
260	WW02F00740	ALLUME-GAZ
260	WW01F01432	ENCENDEDOR INCANDESCENTE
300	WW02L00206	LATERAL ESTUFA
305	WW02L00144	PANEL POST.
308	WW02L00065	ENS. CUBIERTA SUP. PLASTICA
309	WW01L00369	LOGO ID SYSTEM
315	WW02F00076	BASTIDOR BASE
316	WW02A00045	DEFLECTOR
316	WW02A00045	DEFLECTOR
316	WW02A00045	DEFLECTOR DE CALOR
318	WW02L00108	ENS. SOPORTE FRONT.
320	WW02A00059	ENS. SOPORTE POST.
324	WW02A00037	BRIDE
327	WW02F00022	CORD SET RETAINER
328	WW02F00091	CABLE TOMACORRIENTE
332	WW02L00142	PATA ESTABILIZADORA ENS.
410	WW02F00028	BANDA SECADORA
410	WW02F00854	BANDA SECADORA
414	WW02F00093	COMBUSTION CHAMBER
414	WW02F00260	COMBUSTION CHAMBER
416	WW02F00001	DETECTOR TERMOSTATO
420	WW02L00143	BAFFLE
424	WW02L00014	DIFUSOR GAS
424	WW03F00095	DIFUSOR GAS
426	WW02F00030	DIFUSOR
430	WW02A00019	SOPORTE Y FLECHA ENSAMBLE
437	WW02A00005	RETENEDOR RODAMIENTO
440	WW02F00026	GROUND STRAP ASM.