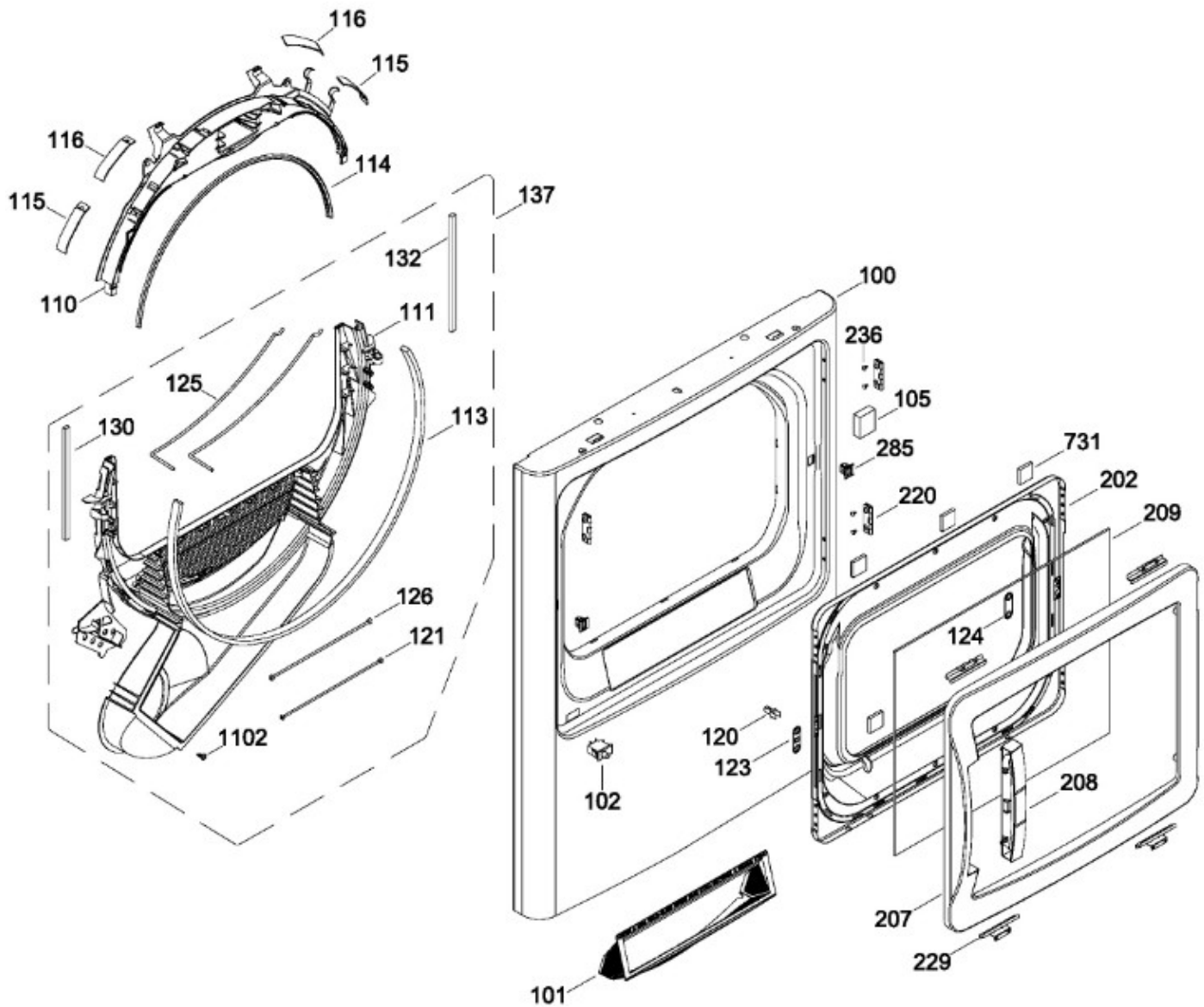




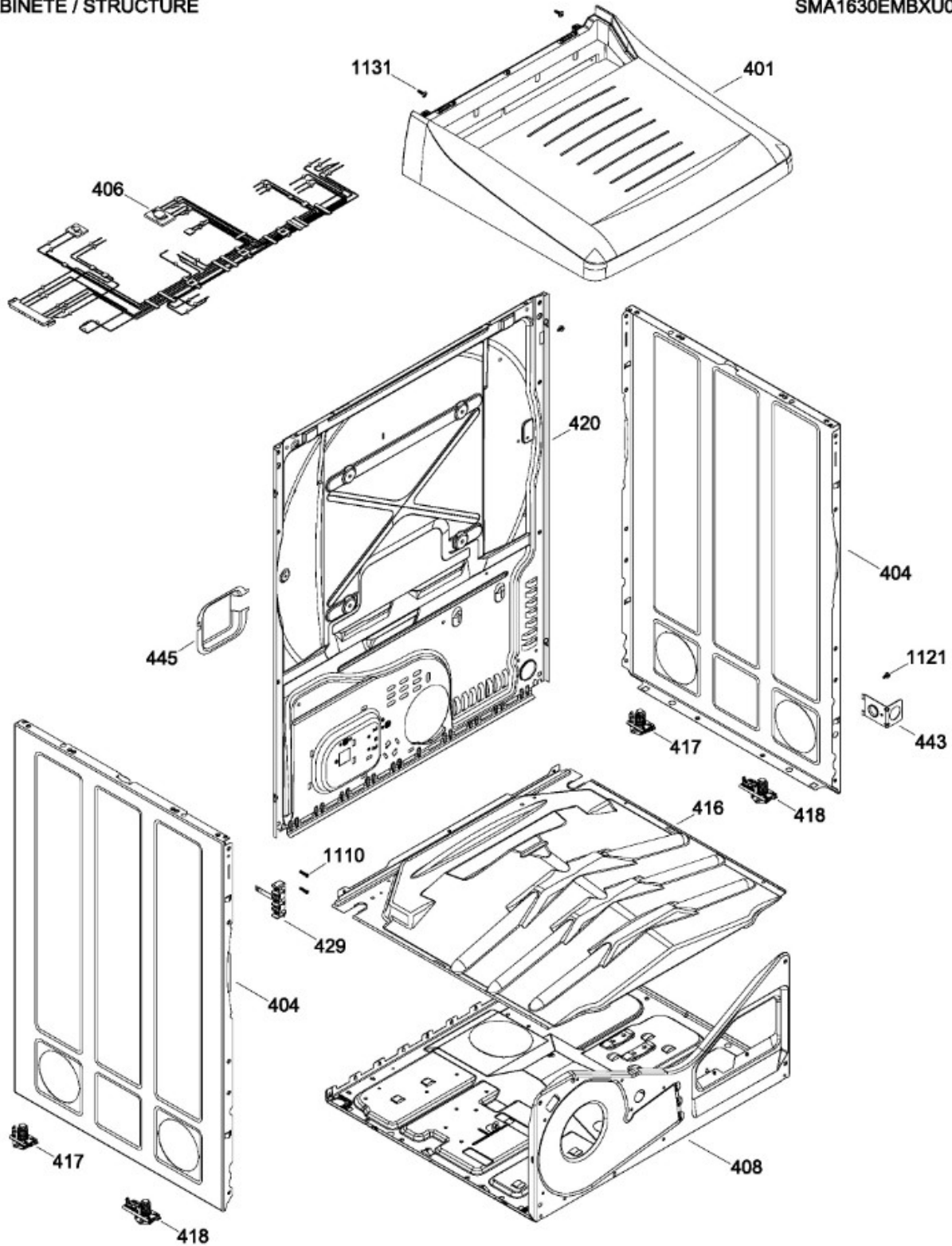
PUERTA (ENS) / DOOR (ASM)

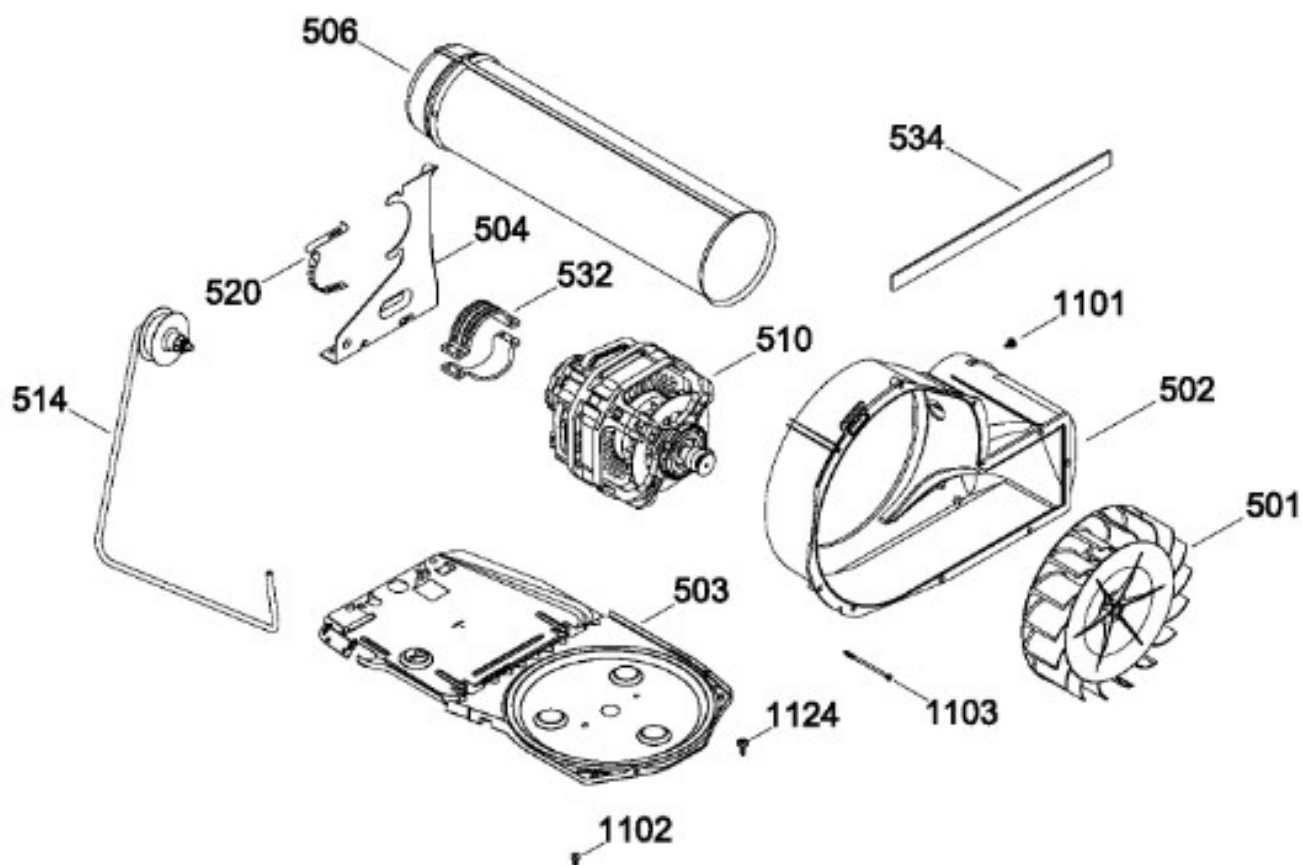
SMA1630EMBXU00



GABINETE / STRUCTURE

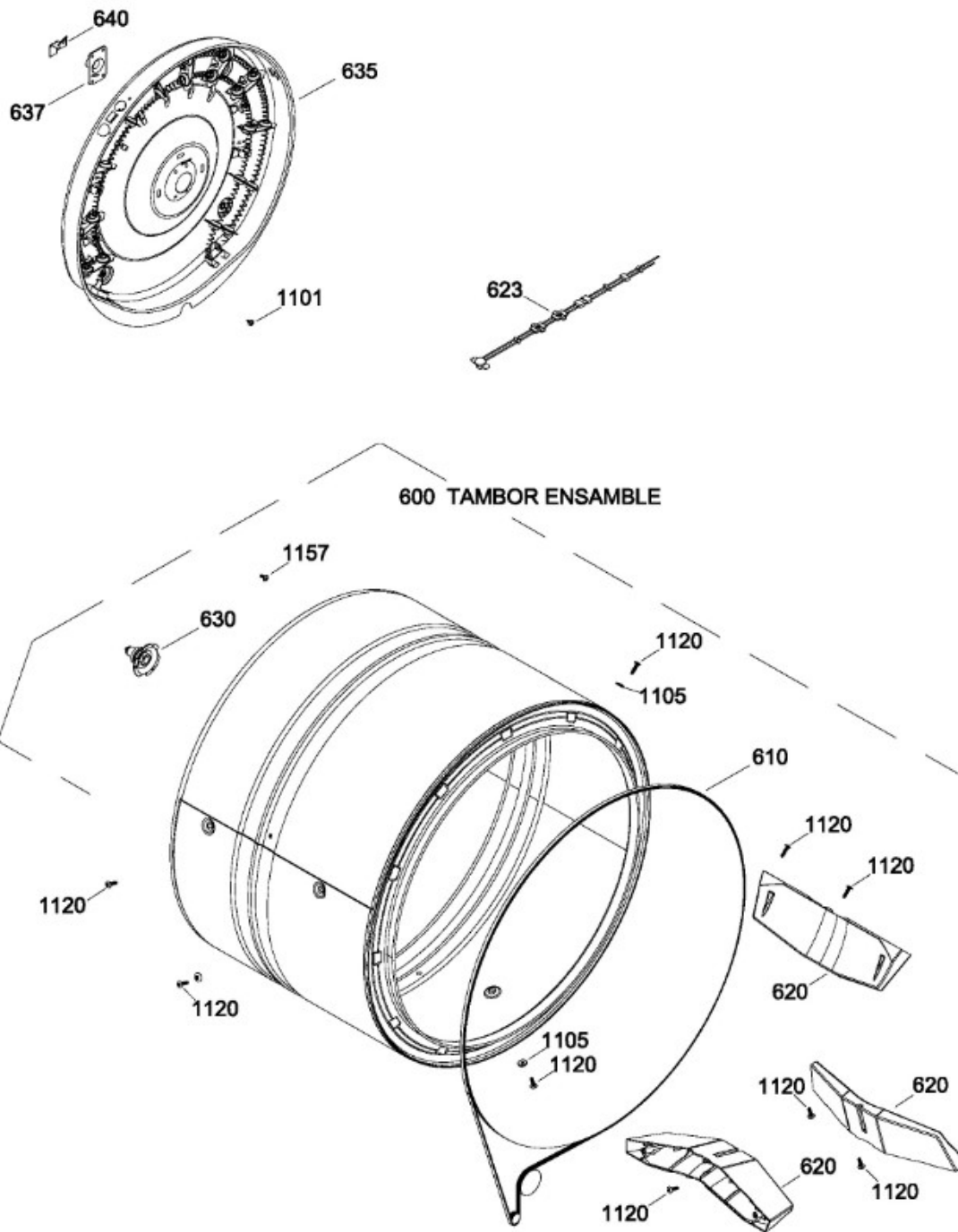
SMA1630EMBXU00





TAMBOR (ENS) / DRUM (ASM)

SMA1630EMBXU00



Guía	Refacción	Descripción
1	WW02L00207	COPETE Y GRAFICOS ENS(BCO)
7	WW01L00319	ENS. PERILLA CONTROL
8	WW02L00208	PERILLA ROTATORIA ENS(GRIS)
10	WW02F00069	RELOJ
14	WW02L00081	INTERRUPTOR ROTATORIO
18	WW02L00086	INTERRUPTOR ROTATORIO
19	WW02L00209	BOTON DE INICIO(GRIS)
20	WW02L00137	BUJE PARA PEILLA
21	WW02F00090	RESISTENCIA ENS.
23	WW02L00024	INTERRUPTOR ARRANQUE
27	WW02F00104	ARNES PANEL DE CONTROL
28	WW02F00189	ARNES PCB
36	WW02F00092	TARJETA PC
100	WW02L00049	PANEL FRONTAL
101	WW02F00190	FILTRO ATRAPAPELUSA
101	WW02F00615	FILTRO ATRAPAPELUSA
101	WW02F00616	FILTRO
102	WW02L00025	INTERRUPTOR PUERTA
105	WW02L00210	SEPARADOR PUERTA
110	WW02L00199	COJINETE SUP.
110	WW01L01430	COJINETE SUP.
111	WW02L00103	DUCTO
111	WW02F00600	DUCTO
113	WW02L00138	FELPA DUCTO RECOLECTOR
114	WW02L00145	SELLO PUERTA
115	WW02A00033	BEARING_SLIDE
116	WW02L00038	BEARING_SLIDE
120	WW02A00004	STRIKE
121	WW02A00051	ARNES
123	WW02A00056	STRIKE PLATE
124	WW02A00057	STRIKE PLATE
125	WW02F00088	SENSOR ROD
126	WW02A00052	ARNES
130	WW02L00042	SELLO
132	WW02L00039	SELLO
132	WW03F00354	SELLO
137	WW02F00128	DUCTO TRAMPA ENS CON SENSORES
137	WW02F00599	DUCTO TRAMPA ENS CON SENSORES

Guía	Refacción	Descripción
202	WW02L00052	INNER DOOR
207	WW02F00032	ANILLO EXT.
208	WW02L00055	JALADERA
209	WW02L00058	PANEL VIDRIO
220	WW02L00029	BISAGRA
220	WW02L00028	BISAGRA
229	WW02L00101	SOPORTE VIDRIO
236	WW02A00065	BOTON BELLEZA
285	WW02L00037	LATCH ASM.
401	WW02A00043	CUBIERTA PLASTICA
401	WW02A00043	CUBIERTA PLASTICA
404	WW02L00149	PANEL LATERAL
406	WW02F00101	ARNES ELECTRICO ENS
408	WW02F00076	BASTIDOR
409	WW03A00080	LOGO MABE
416	WW02A00045	DEFLECTOR
417	WW02A00059	ENS. SOPORTE POST.
418	WW02L00108	ENS. SOPORTE FRONT.
420	WW01L01170	PANEL POSTERIOR
420	WW03L00383	PANEL POSTERIOR
429	WW02F00172	TERMINAL BLOCK
443	WW02A00119	SOPORTE ANTI TENSION
445	WW02L00211	CUBIERTA TERMINAL FUSIBLE
501	WW01F01162	VENTILADOR REDONDO
501	WW02A00011	VENTILADOR REDONDO
502	WW02A00012	CARCAZA ASPAS
502	WW02L00013	CARCAZA ASPAS
502	WW02L00433	CAJA DEL VENTILADOR
503	WW01L01163	BASE MOTOR
503	WW01L01163	BASE MOTOR
503	WW02L00642	BASE MOTOR
504	WW02F00027	SOPORTE MOTOR
506	WW02L00148	CONDUCTO DE ESCAPE
506	WW02L00148	CONDUCTO DE ESCAPE
510	WW01F00903	MOTOR Y POLEA ENS
514	WW02A00008	ENS. BRAZO AUXILIAR
514	WW03F00350	ENS. BRAZO AUXILIAR
520	WW02F00031	CLIP MOTOR

<b>Guía</b>	<b>Refacción</b>	<b>Descripción</b>
532	WW02F00003	CORREA MOTOR
532	WW02A00232	CORREA MOTOR
534	WW02A00026	EMPAQUE ESCAPE SOPLADOR
534	WW02F00785	EMPAQUE ESCAPE SOPLADOR
600	WW02F00056	ENS. TAMBOR
610	WW02F00028	BANDA SECADORA
610	WW02F00854	BANDA SECADORA
620	WW02L00143	BAFFLE
623	WW02F00191	ARNES TERMOSTATO
630	WW02A00019	ENS. SOPORTE BUJE
635	WW02A00050	ENS. CALENTADOR
635	WW02A00050	ENS. CALENTADOR
637	WW02A00005	RETENEDOR RODAMIENTO
640	WW02F00833	SOPORTE TIERRA ENS
725	WW02A00069	SCREW
731	WW02A00120	CALZA
1101	WW02A00030	TORNILLO
1101	WW02A00211	TORNILLO
1102	WW02A00029	TORNILLO
1102	WW02A00211	TORNILLO
1103	WW02A00032	TORNILLO
1105	WW02A00002	ARANDELA
1110	WW02A00121	TORNILLO
1120	WW02A00031	TORNILLO
1121	WW01A00001	TORNILLO
1124	WW02A00070	TORNILLO
1131	WW02A00028	TORNILLO
1157	WW01A00456	TORNILLO #10