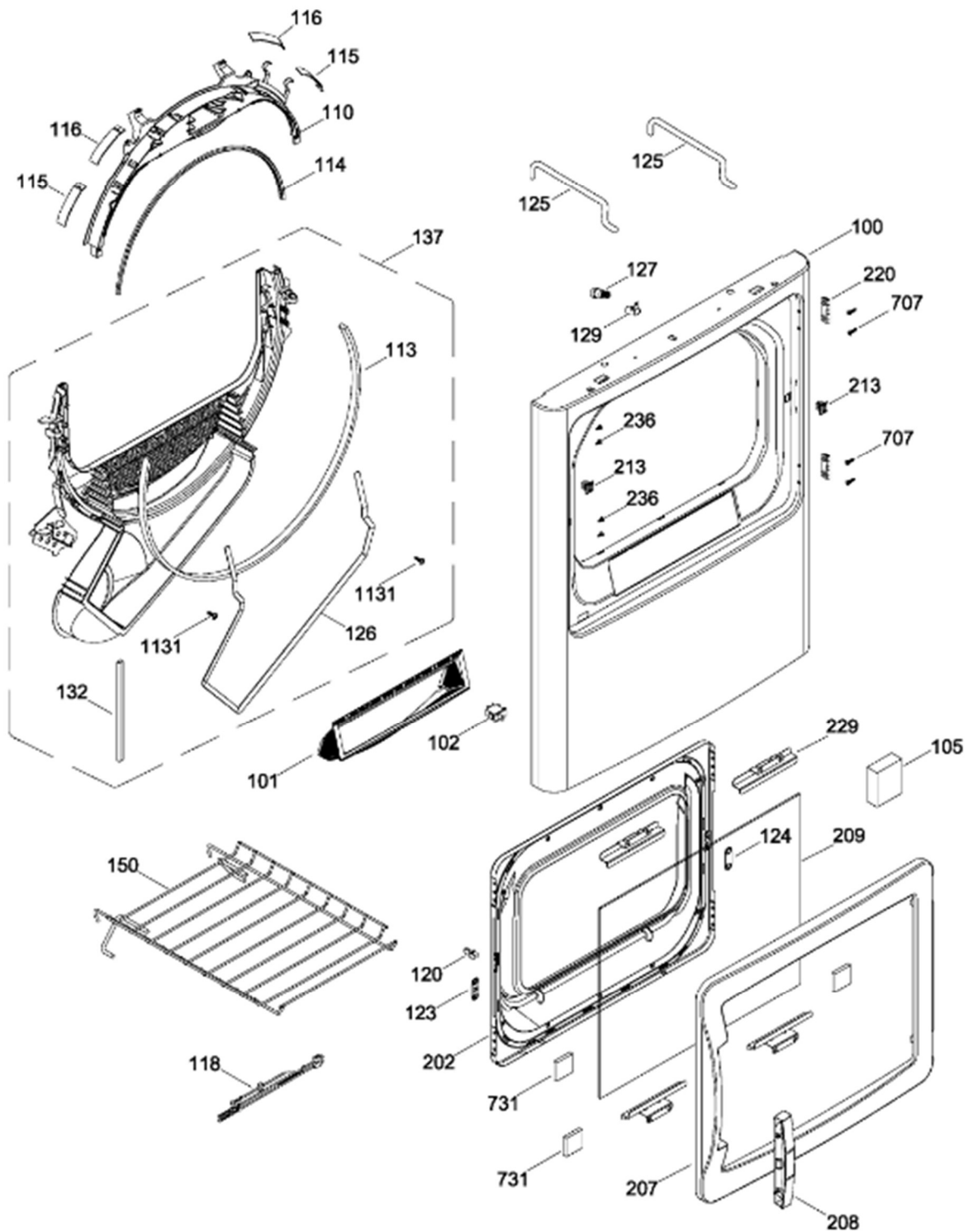


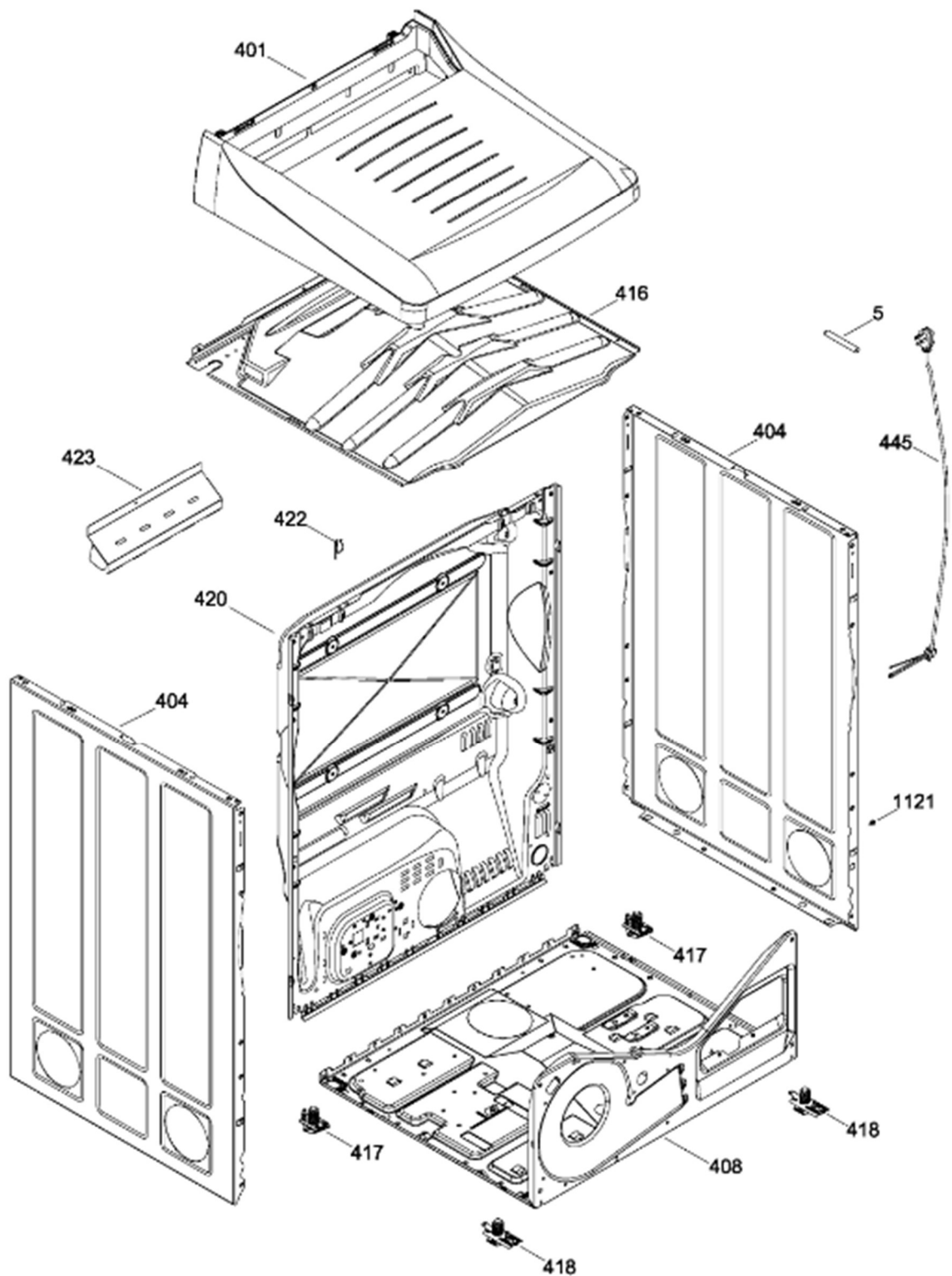
PUERTA (ENS) / DOOR (ASM)

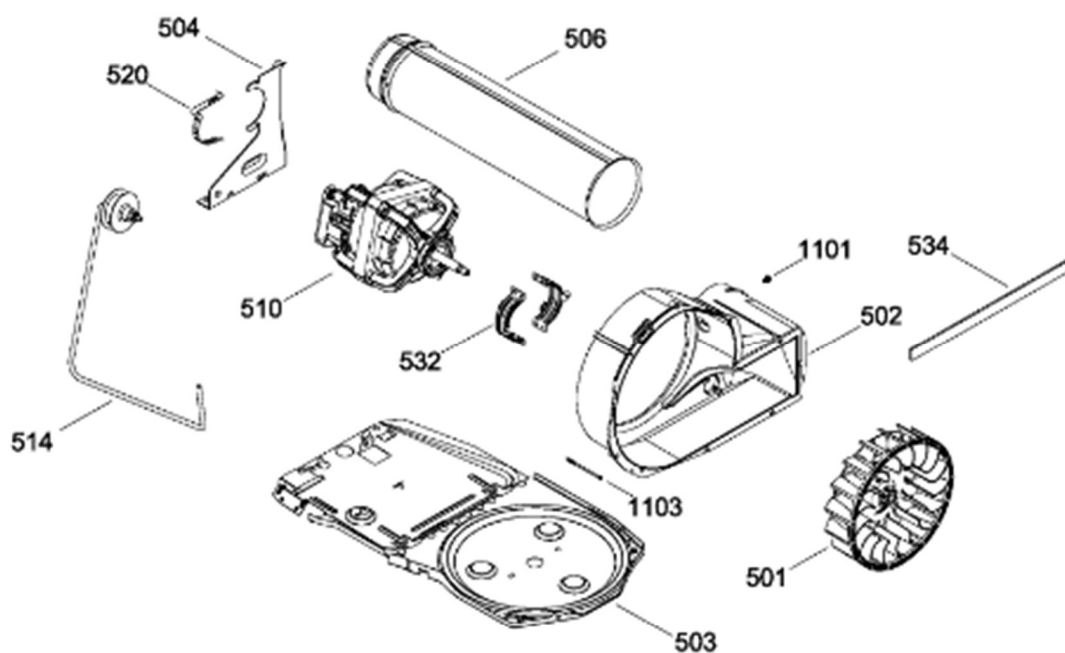
SMA1940EPB01



GABINETE / STRUCTURE

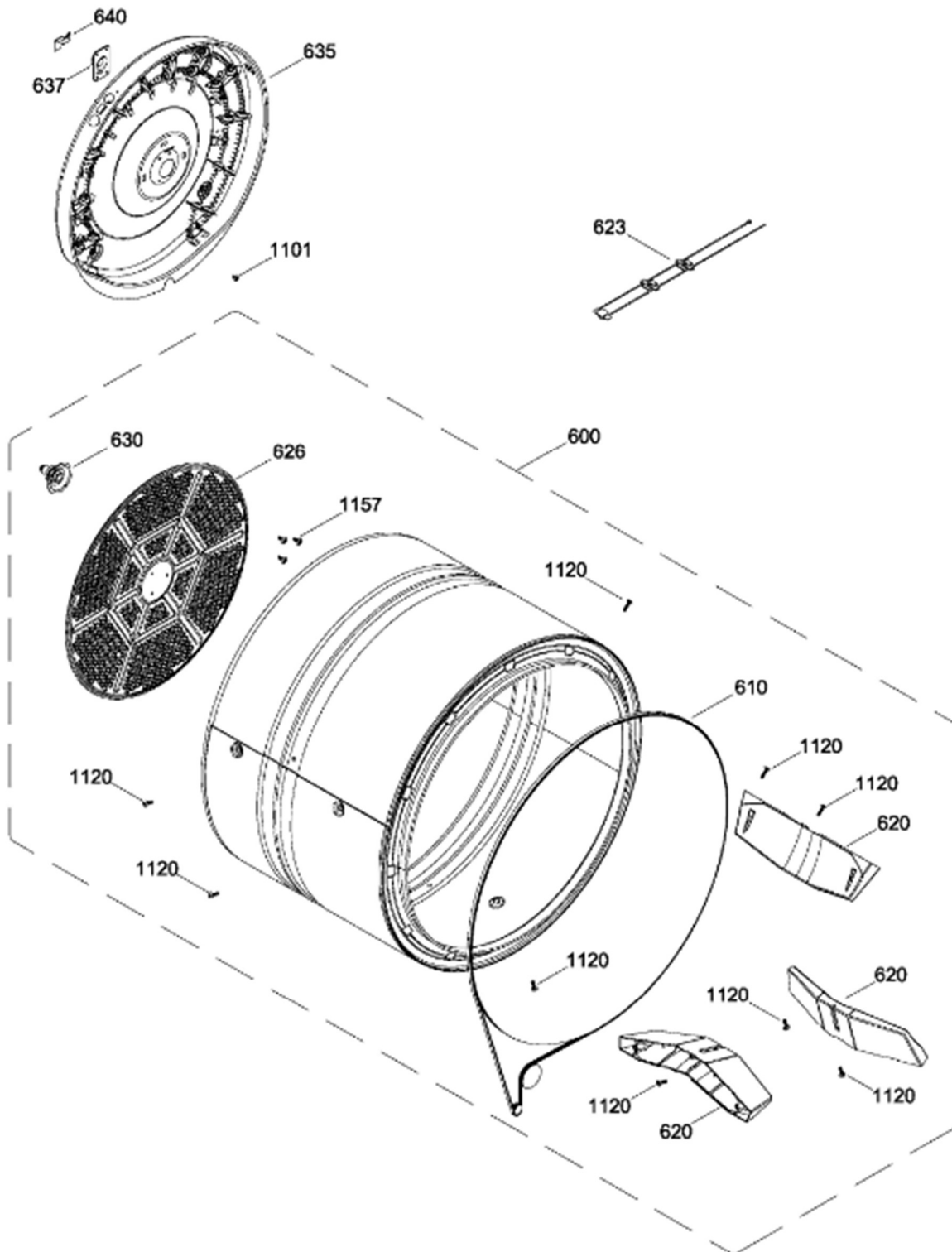
SMA1940EPB01





TAMBOR (ENS) / DRUM (ASM)

SMA1940EPB01



Guía	Refacción	Descripción
1	WW02L00069	COPETE
5	WW02L00032	CAPUCHON TOMACORRIENTE
7	WW02L00110	PERILLA ROTATORIA
8	WW02L00109	ENS. PERILLA CONTROL
9	WW02A00063	GUIA LUZ
11	WW02F00087	CUBIERTA DISPLAY
15	WW02F00445	ARNES PRINCIPAL ENS
19	WW02A00064	BOTON INICIO
20	WW02L00137	BUJE PARA PEILLA
29	WW02A00091	JUMPER ELECTRIC
31	WW02F00034	ENS. TARJETA CIRCUITO IMPRESO
100	WW02L00049	PANEL FRONTAL (BCO)
101	WW02F00190	FILTRO ATRAPAPELUSA
101	WW02F00615	FILTRO ATRAPAPELUSA
101	WW02F00616	FILTRO
102	WW02L00025	INTERRUPTOR PUERTA
105	WW02L00210	SEPARADOR PUERTA
110	WW02L00199	COJINETE SUP.
110	WW01L01430	COJINETE SUP.
113	WW01L01329	FELPA COLECTOR DE AIRE
113	WW02F00783	FELPA COLECTOR DE AIRE
114	WW02L00145	SELLO PUERTA
115	WW02A00033	BEARING_SLIDE
116	WW02L00038	BEARING_SLIDE
118	WW02F00094	ARNES SENS.OR
120	WW02A00004	STRIKE
123	WW02A00056	STRIKE PLATE
124	WW02A00057	STRIKE PLATE
125	WW02F00088	SENSOR ROD
126	WW02L00040	GASKET FOAM
127	WW02A00067	LAMP
127	WW03F00458	LAMP
129	WW02L00104	ENS. CLAVIJA
129	WW01F01584	ENS. CLAVIJA
132	WW02L00039	SELLO
132	WW03F00354	SELLO
137	WW03L00116	COLECTOR DE AIRE ENS

Guía	Refacción	Descripción
137	WW02F00597	COLECTOR DE AIRE ENS
150	WW02L00190	PARRILLA PARA ZAPATOS
202	WW02L00052	PUERTA INTERIOR(BLANCA)
202	WW02L00052	PUERTA INTERIOR(BLANCA)
207	WW02F00032	ANILLO EXT.
208	WW02L00056	JALADERA
208	WW02L00055	JALADERA
209	WW02L00058	PANEL VIDRIO
213	WW02L00037	LATCH ASM.
220	WW02L00029	BISAGRA
220	WW02L00028	BISAGRA
229	WW02L00101	SOPORTE VIDRIO
229	WW02L00101	SOPORTE VIDRIO
236	WW02A00065	BOTON BELLEZA
401	WW02A00043	CUBIERTA SECADORA
401	WW02A00043	CUBIERTA SECADORA
401	WW02A00043	CUBIERTA PLASTICA
404	WW02L00149	PANEL LATERAL
404	WW02L00149	PANEL LATERAL
408	WW02F00076	BASTIDOR BASE
409	WW03A00080	LOGO MABE
416	WW02A00045	DELFECTOR DE CALOR
416	WW02A00045	DELFECTOR DE CALOR
417	WW02A00059	ENS. SOPORTE POST.
418	WW02L00108	ENS. SOPORTE FRONT.
420	WW03L00095	PANEL POSTERIOR
422	WW02F00022	CORD SET RETAINER
423	WW02L00107	ESCUDO CALOR POST.
445	WW02F00016	CORDON TOMACORRIENTE
501	WW01F01162	VENTILADOR REDONDO
502	WW02F00109	BLOWER HOUSING
502	WW03L00150	BLOWER HOUSING
503	WW01L01163	BASE MOTOR
503	WW01L01163	BASE MOTOR
503	WW01L01163	BASE MOTOR
503	WW02L00642	BASE MOTOR
504	WW02F00027	SOPORTE MOTOR

Guía	Refacción	Descripción
506	572D559P006T	CONDUCTO DE ESCAPE
510	WW02F00456	ENS MOTOR Y POLEA
510	WW03F00447	ENS MOTOR Y POLEA
514	WW02A00008	ENS. BRAZO AUXILIAR
514	WW03F00350	ENS. BRAZO AUXILIAR
520	WW02F00031	CLIP MOTOR
532	WW02F00003	CORREA MOTOR
532	WW02A00232	CORREA MOTOR
534	WW02A00026	EMPAQUE ESCAPE SOPLADOR
534	WW02F00785	EMPAQUE ESCAPE SOPLADOR
600	WW02F00057	ENS. TAMBOR
610	WW02F00028	BANDA SECADORA
610	WW02F00854	BANDA SECADORA
620	WW02L00143	BAFFLE
623	WW02F00136	ARNES
626	WW02F00221	DIFUSOR
626	WW02F00827	DIFUSOR
630	WW02A00019	SOPORTE Y FLECHA ENSAMBLE
635	WW02A00049	CALENTADOR ENSAMBLE
637	WW02A00005	RETENEDOR RODAMIENTO
640	WW01A00443	GROUND STRAP ASSEMBLY
640	WW02F00833	GROUND STRAP ASSEMBLY
707	WW01A00539	TORNILLO
731	WW02A00120	CALZA
1101	WW02A00030	TORNILLO
1101	WW02A00211	TORNILLO
1103	WW02A00032	TORNILLO
1120	WW02A00031	TORNILLO
1121	WW01A00001	TORNILLO
1131	WW02A00028	TORNILLO
1157	WW01A00456	TORNILLO #10