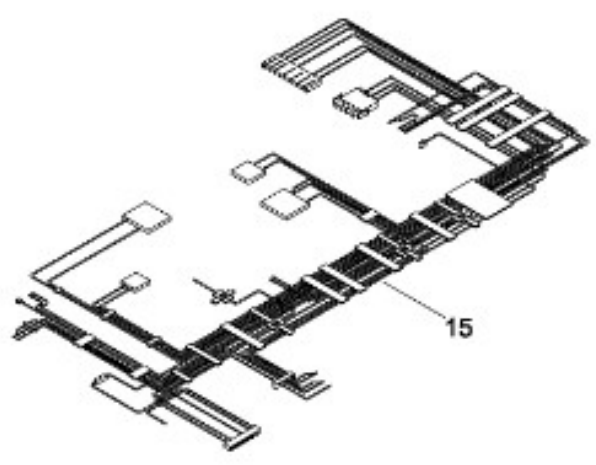
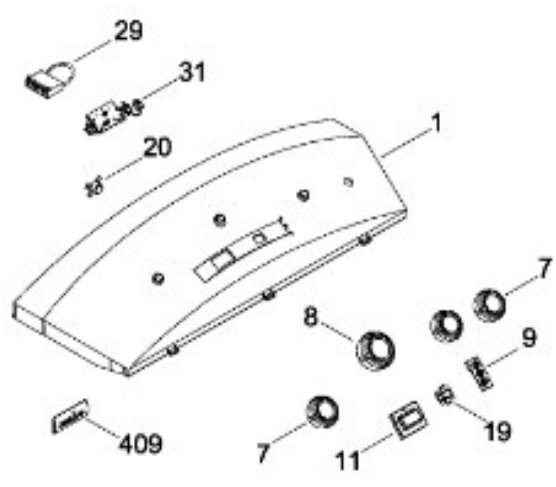




SECADORA SMA1940EPV0

SISTEMA CONTROLES / CONTROL SYSTEM

SMA1940EPB01



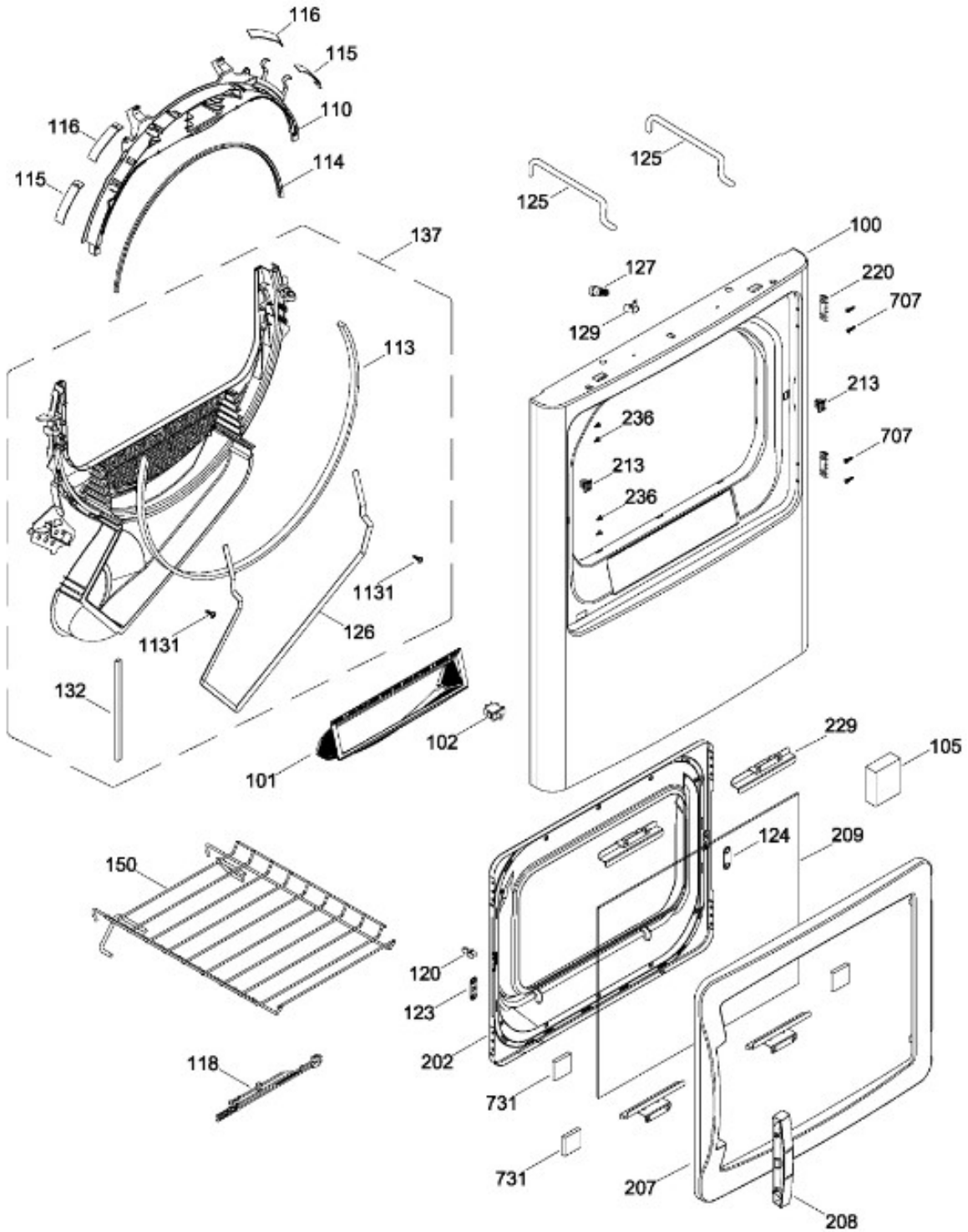
BENITO JUÁREZ #1500 GPE ZITON, CD. GUADALUPE NUEVO LEÓN TEL: 8183377999 Y 49
HORARIOS: LUNES A VIERNES 8:30 A 6:00 PM Y SÁBADOS DE 8:30 A 2:00 PM
WEB: www.denek.com



SECADORA SMA1940EPV0

PUERTA (ENS) / DOOR (ASM)

SMA1940EPB01



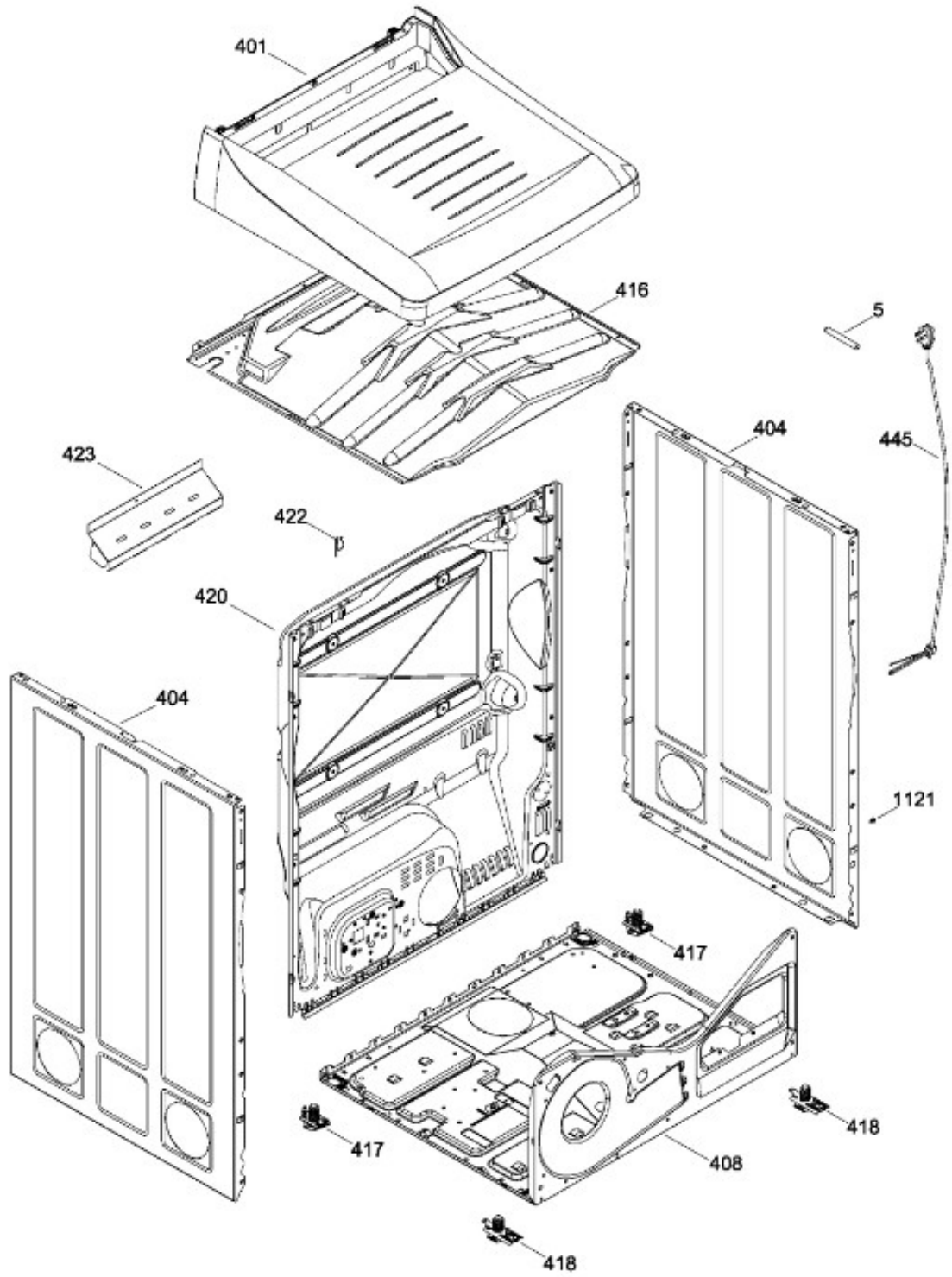
BENITO JUÁREZ #1500 GPE ZITON, CD. GUADALUPE NUEVO LEÓN TEL: 8183377999 Y 49
HORARIOS: LUNES A VIERNES 8:30 A 6:00 PM Y SÁBADOS DE 8:30 A 2:00 PM
WEB: www.denek.com



SECADORA SMA1940EPV0

GABINETE / STRUCTURE

SMA1940EPB01



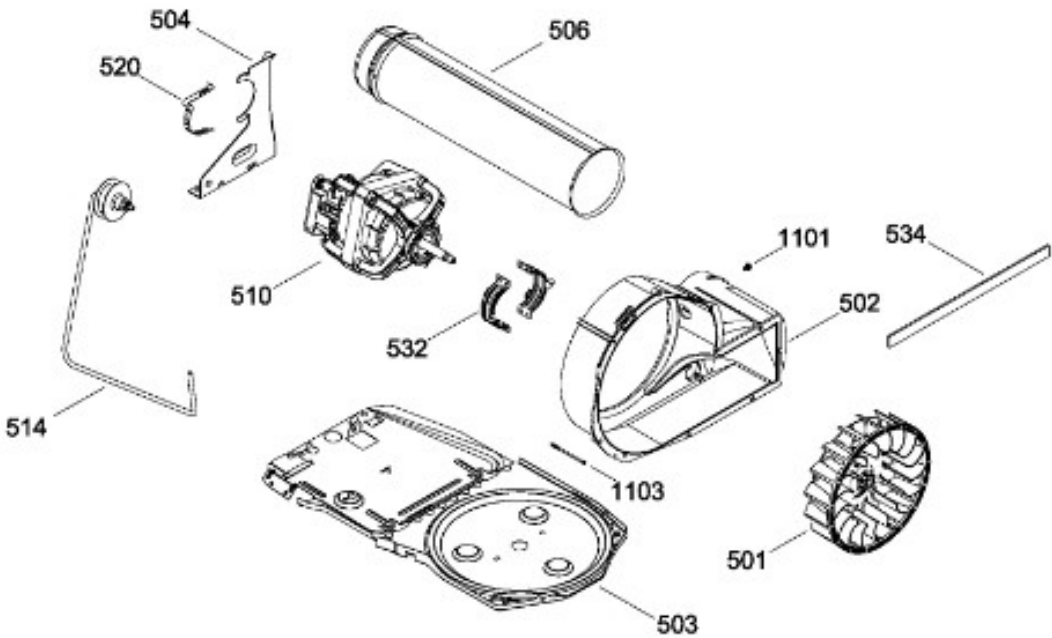
BENITO JUÁREZ #1500 GPE ZITON, CD. GUADALUPE NUEVO LEÓN TEL: 8183377999 Y 49
HORARIOS: LUNES A VIERNES 8:30 A 6:00 PM Y SÁBADOS DE 8:30 A 2:00 PM
WEB: www.denek.com



SECADORA SMA1940EPV0

SISTEMA DE TRANSMISION / BLOWER & DRIVE ASSEMBLY

SMA1940EPB01



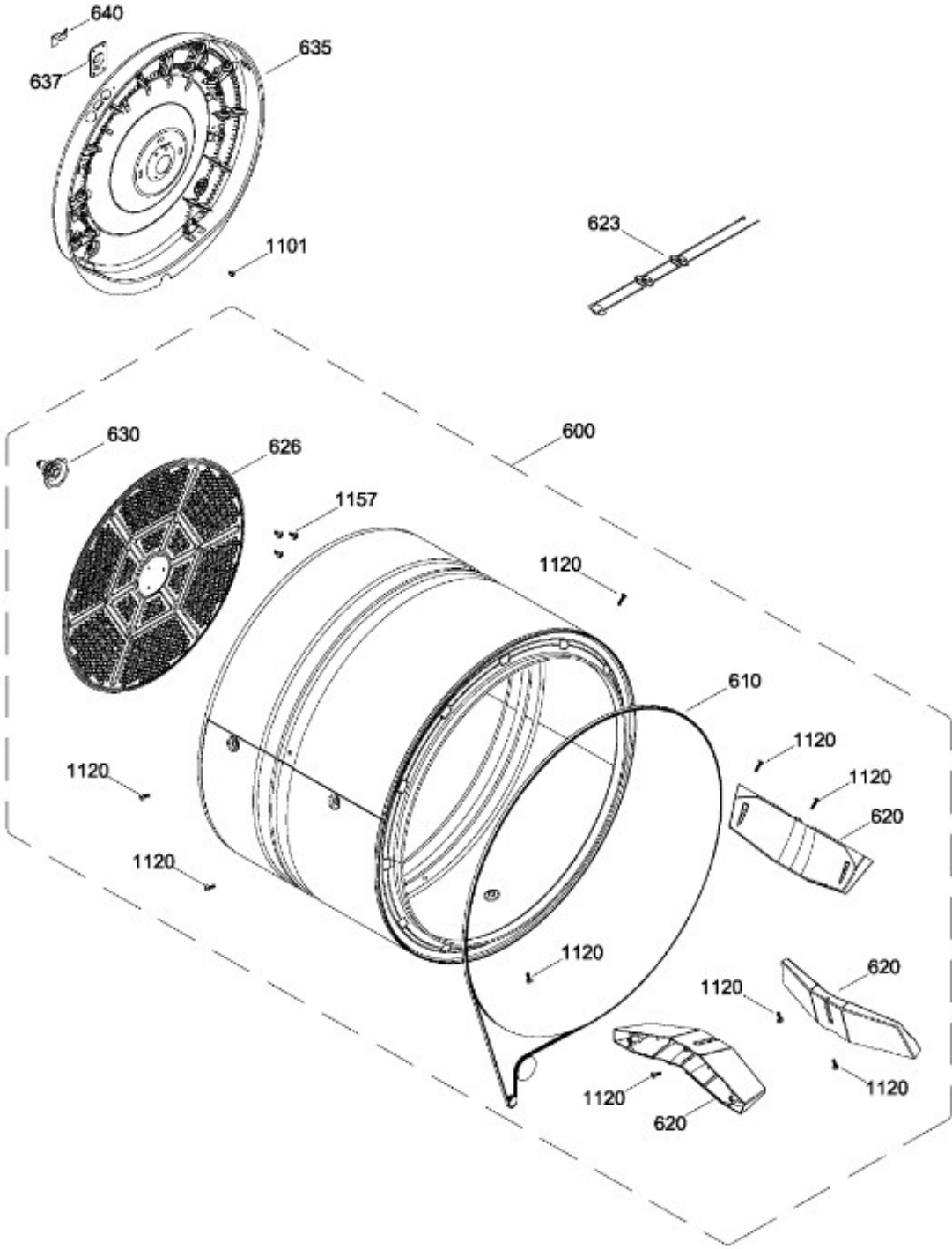
BENITO JUÁREZ #1500 GPE ZITON, CD. GUADALUPE NUEVO LEÓN TEL: 8183377999 Y 49
HORARIOS: LUNES A VIERNES 8:30 A 6:00 PM Y SÁBADOS DE 8:30 A 2:00 PM
WEB: www.denek.com



SECADORA SMA1940EPV0

TAMBOR (ENS) / DRUM (ASM)

SMA1940EPB01



BENITO JUÁREZ #1500 GPE ZITON, CD. GUADALUPE NUEVO LEÓN TEL: 8183377999 Y 49
HORARIOS: LUNES A VIERNES 8:30 A 6:00 PM Y SÁBADOS DE 8:30 A 2:00 PM
WEB: www.denek.com

Guía	Refacción	Descripción
1	WW02L00069	COPETE
7	WW02L00110	PERILLA ROTATORIA
8	WW02L00109	ENS. PERILLA CONTROL
9	WW02A00063	GUIA LUZ
11	WW02F00087	CUBIERTA DISPLAY
12	WW02A00118	LOGO
19	WW02A00064	BOTON INICIO
20	WW02L00137	BUJE PARA PEILLA
29	WW02A00091	JUMPER ELECTRIC
31	WW02F00034	ENS. TARJETA CIRCUITO IMPRESO
100	189D5117P008	PANEL FRONTAL (VERDE)
101	WW02L00080	ENS. FILTRO MALLA
101	WW02F00616	ENS. FILTRO MALLA
102	WW02L00025	INTERRUPTOR PUERTA
106	WW02L00061	CUBIERTA DUCTO
110	WW02F00010	COJINETE SUP.
110	WW01L01430	COJINETE SUP.
111	WW02F00178	TRAMPA CONDUCTO
111	WW02L00103	TRAMPA CONDUCTO
111	WW02F00600	DUCTO
113	WW02L00139	FIELTRO
113	WW02L00138	FIELTRO
114	WW02L00145	SELLO PUERTA
115	WW02A00033	BEARING_SLIDE
116	WW02L00038	BEARING_SLIDE
118	WW02F00094	ARNES SENS.OR
120	WW02A00004	STRIKE
123	WW02A00056	STRIKE PLATE
124	WW02A00057	STRIKE PLATE
125	WW02F00088	SENSOR ROD
127	WW02A00067	LAMP
127	WW03F00458	LAMP
127	WW03F00458	LAMPARA
127	WW03F00458	LAMPARA
127	WW03F00458	LAMPARA

Guía	Refacción	Descripción
128	WW02L00041	SELLO
129	WW02L00104	ENS. CLAVIJA
129	WW01F01584	ENS. CLAVIJA
130	WW02L00042	SELLO
131	WW02L00102	RETAINER GASKET
132	WW02L00039	SELLO
132	WW03F00354	SELLO
150	WW02L00088	SHOE RACK
150	WW02L00190	SHOE RACK
202	WW02L00052	PUERTA INTERIOR
202	WW02L00052	PUERTA INTERIOR
202	WW02L00052	PUERTA INTERIOR(BLANCA)
207	WW02A00044	ANILLO EXTERIOR
208	WW02L00056	JALADERA
208	WW02L00055	JALADERA
209	WW02L00058	PANEL VIDRIO
213	WW02L00037	LATCH ASM.
216	WW02L00062	SELLO VENTANA
220	WW02L00029	BISAGRA
220	WW02L00028	BISAGRA
229	WW02L00101	SOPORTE VIDRIO
229	WW02L00101	SOPORTE VIDRIO
229	WW02L00101	SOPORTE VIDRIO
236	WW02A00066	BOTON BELLEZA
401	WW02L00048	CUBIERTA SUPERIOR
404	212D1615P012	LATERAL
406	WW02F00134	ENS. ARNES
406	WW02F00451	ENS. ARNES
408	WW02F00076	BASTIDOR BASE
416	WW02A00045	DEFLECTOR
416	WW02A00045	DEFLECTOR
416	WW02A00045	DEFLECTOR DE CALOR
417	WW02A00059	ENS. SOPORTE POST.
418	WW02L00108	ENS. SOPORTE FRONT.
420	WW02L00146	PANEL POST.

Guía	Refacción	Descripción
422	WW02F00022	CORD SET RETAINER
423	WW02L00107	ESCUDO CALOR POST.
445	WW02F00016	CORDON TOMACORRIENTE
500	WW02A00040	ABRAZADERA VENTILADOR
501	WW02A00073	VENTILADOR REDONDO
502	WW02F00109	BLOWER HOUSING
502	WW03L00150	BLOWER HOUSING
503	WW02F00098	PLATO MOTOR
504	WW02F00027	SOPORTE MOTOR
506	572D559P006	CONDUCTO DE ESCAPE
510	WW02F00186	ENS. MOTOR
510	WW02A00191	ENS. MOTOR
514	WW02A00008	ENS. BRAZO AUXILIAR
514	WW03F00350	ENS. BRAZO AUXILIAR
517	WW02A00002	ARANDELA
520	WW02F00031	CLIP MOTOR
524	WW02A00041	ABRAZADERA VENTILADOR
526	WW02L00033	ESPACIADOR ESPUMADO
532	WW02F00003	CORREA MOTOR
532	WW02A00232	CORREA MOTOR
534	WW02A00026	EMPAQUE ESCAPE SOPLADOR
534	WW02F00785	EMPAQUE ESCAPE SOPLADOR
600	WW02F00057	ENS. TAMBOR
610	WW02F00028	BANDA SECADORA
610	WW02F00854	BANDA SECADORA
620	WW02L00143	BAFFLE
623	WW02F00136	ARNES
626	WW02F00030	DIFUSOR
630	WW02A00019	SOPORTE Y FLECHA ENSAMBLE
635	WW02A00049	ENS. CALENTADOR
635	WW02A00049	ENS. CALENTADOR
637	WW02A00005	RETENEDOR RODAMIENTO
640	WW02F00026	GROUND STRAP ASM.
640	WW01A00443	GROUND STRAP ASM.
640	WW02F00833	GROUND STRAP ASSEMBLY

Guía	Refacción	Descripción
705	WW02A00028	TORNILLO
706	WW02A00031	TORNILLO
712	WW02A00029	TORNILLO
712	WW02A00211	TORNILLO
714	WW02A00071	TORNILLO
715	WW02A00070	TORNILLO
716	WW02A00032	TORNILLO
717	WW02A00030	TORNILLO
717	WW02A00211	TORNILLO
718	WW01A00001	TORNILLO