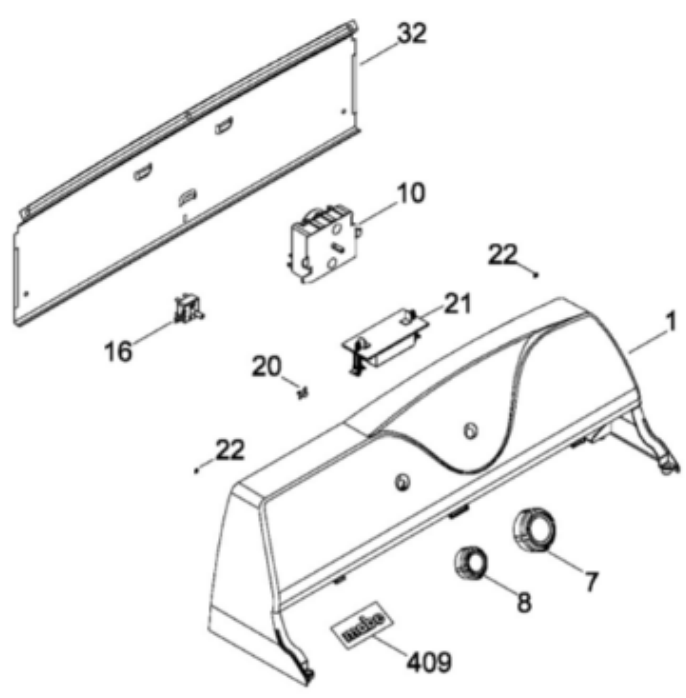




SECADORA SME1520EBBYS0

SISTEMA CONTROLES / CONTROL SYSTEM

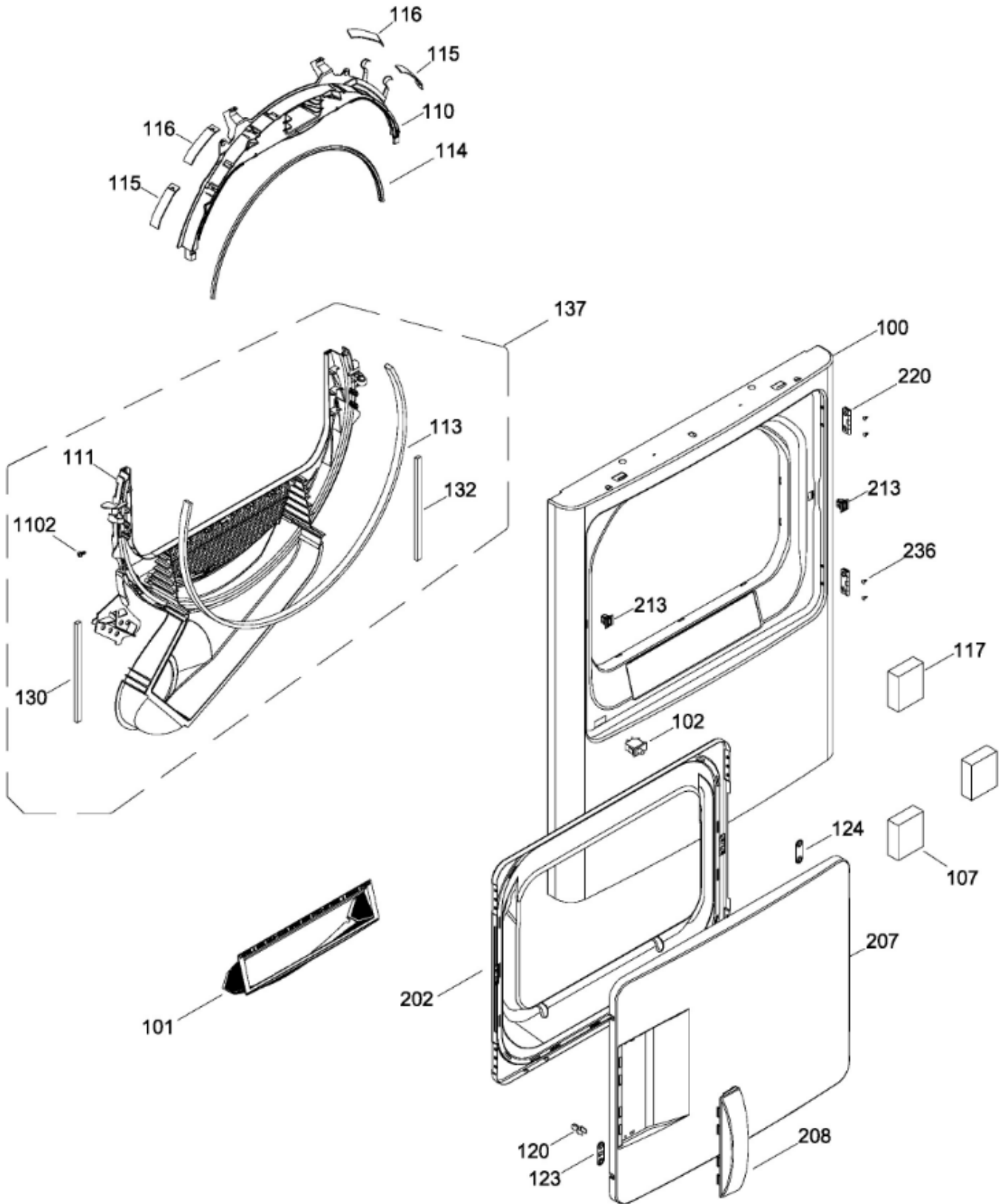
SME1520EBBYS0



SECADORA SME1520EBBYS0

PUERTA (ENS) / DOOR (ASM)

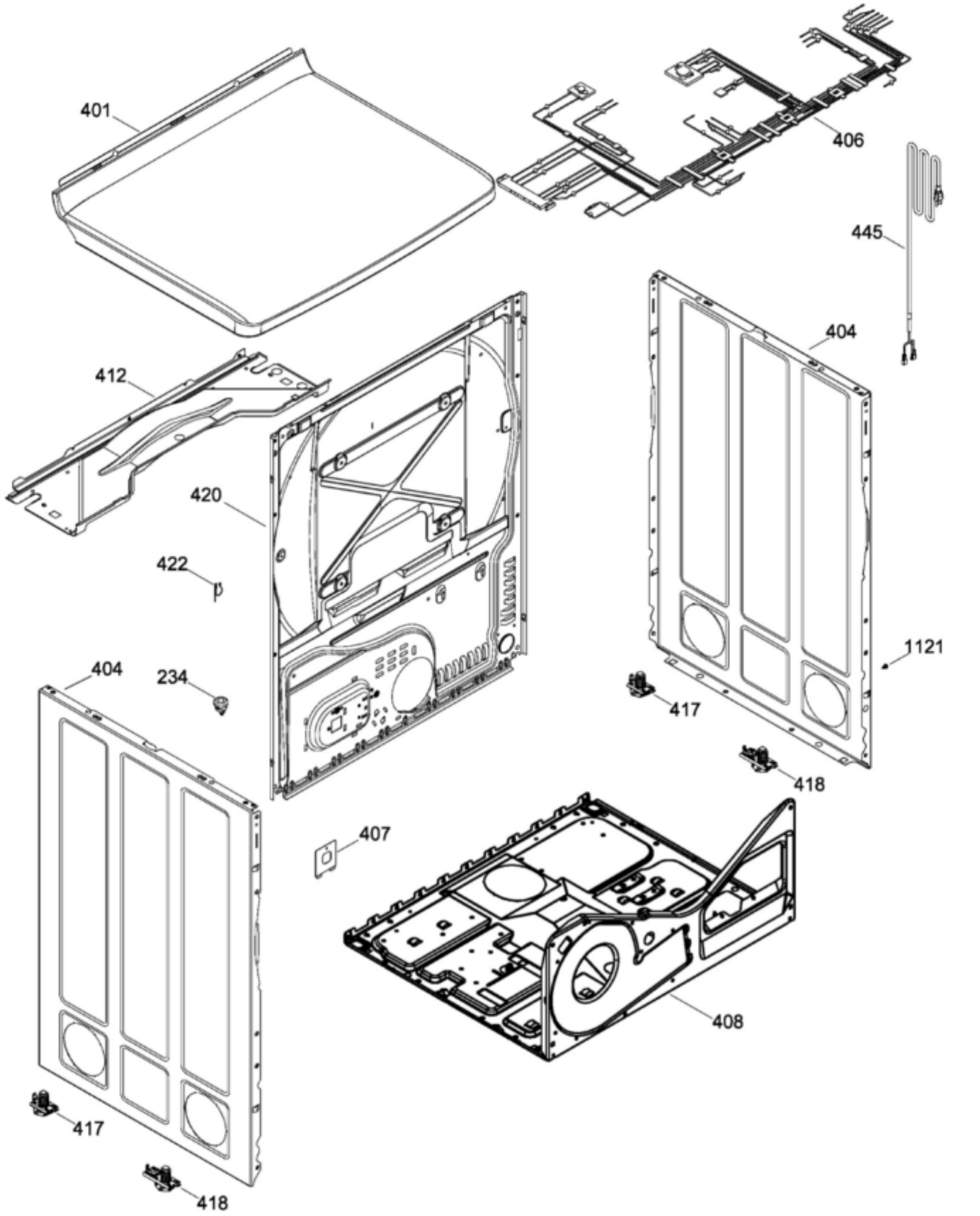
SME1520EBBYS0



SECADORA SME1520EBBYS0

GABINETE / STRUCTURE

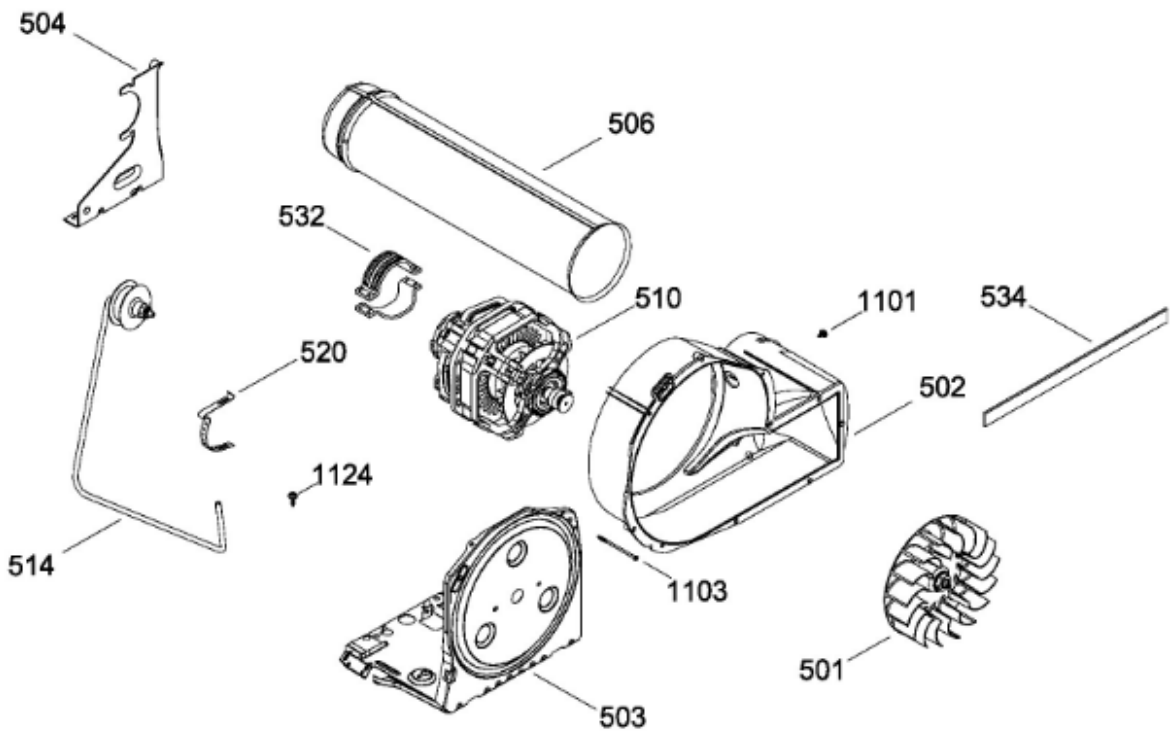
SME1520EBBYS0



SECADORA SME1520EBBYS0

SISTEMA DE TRANSMISION / BLOWER & DRIVE ASSEMBLY

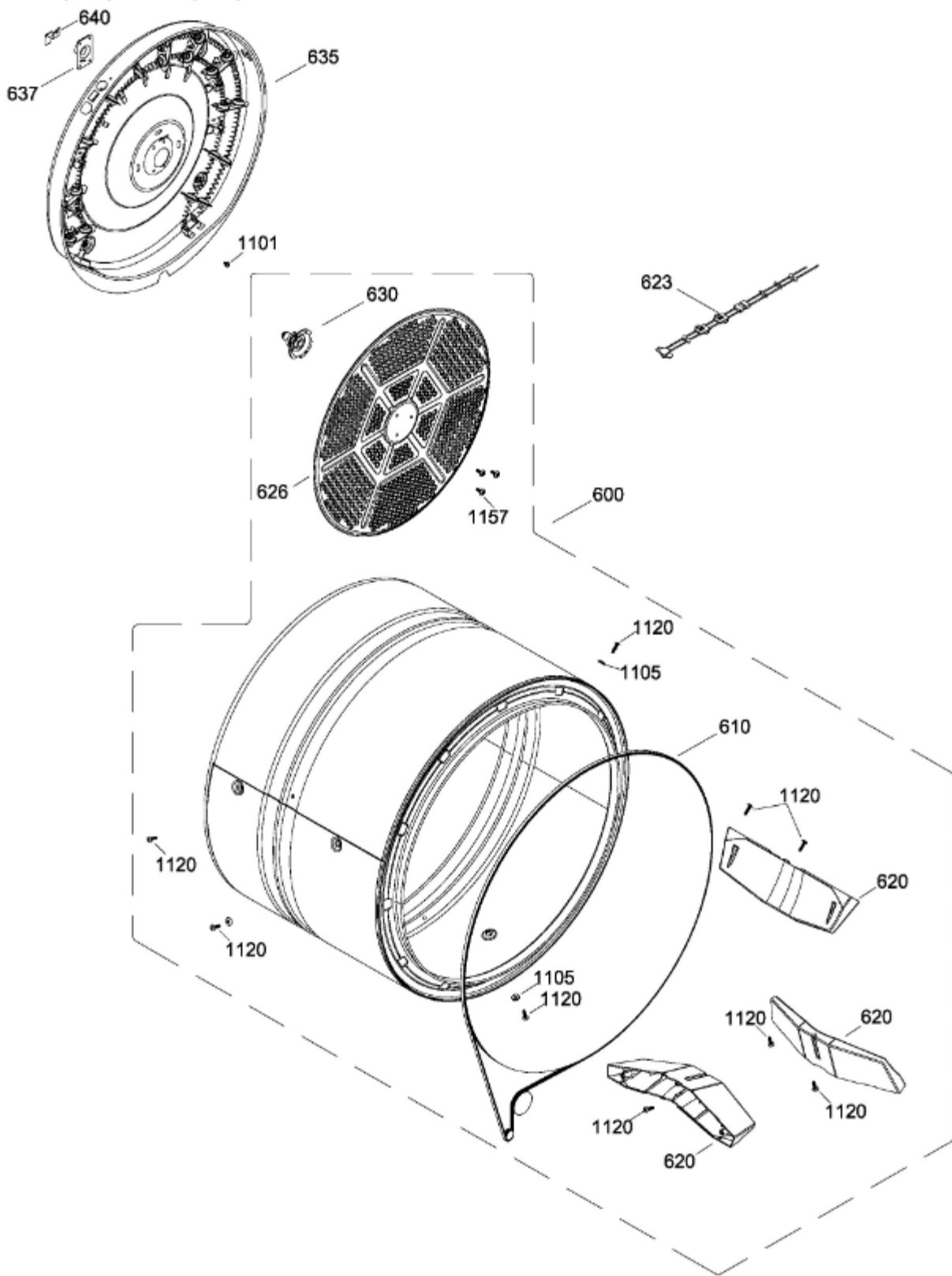
SME1520EBBYS0



SECADORA SME1520EBBYS0

TAMBOR (ENS) / DRUM (ASM)

SME1520EBBYS0





SECADORA SME1520EBBYS0

Guía	Refacción	Descripción
1	WW02L00159	COPETE Y GRAFICOS ENS
2	234D1308P002	MANUAL DE USO Y CUIDADO (MABE)
7	WW02L00193	ENS. PERILLA CONTROL
8	WW02L00195	PERILLA ROTATORIA
10	WW02F00175	TIMER
10	WW02F00175	TIMER
16	WW02L00083	INTERRUPTOR DE INICIO
20	WW02L00137	BUJE PARA PEILLA
21	WW02F00089	RESISTENCIA ENS.
22	WW02A00062	TUERCA
32	WW02L00152	BACK PANEL
100	WW02L00049	PANEL FRONTAL
101	WW02F00190	FILTRO ATRAPAPELUSA
101	WW02F00615	FILTRO ATRAPAPELUSA
102	WW02L00025	INTERRUPTOR PUERTA
107	WW03L00062	ESPACIADOR PUERTA
110	WW02L00199	COJINETE SUP.
110	WW01L01430	COJINETE SUP.
111	WW02L00103	DUCTO
111	WW02F00600	DUCTO
113	WW02L00138	FELPA DUCTO RECOLECTOR
114	WW02L00145	SELLO PUERTA
115	WW02A00033	BEARING_SLIDE
116	WW02L00038	BEARING_SLIDE
117	WW02L00210	SEPARADOR PUERTA
120	WW02A00004	STRIKE
123	WW02A00056	STRIKE PLATE
124	WW02A00057	STRIKE PLATE
130	WW02L00042	SELLO
132	WW02L00039	SELLO
132	WW03F00354	SELLO
137	WW02F00248	DUCTO TRAMPA ENS (SIN SENSORES)
137	WW02F00598	DUCTO TRAMPA ENS (SIN SENSORES)
202	WW02L00053	INNER DOOR
207	WW02L00051	PUERTA EXTERIOR
207	WW02L00051	PUERTA EXTERIOR
207	WW02L00051	PUERTA EXTERIOR



SECADORA SME1520EBBYS0

Guía	Refacción	Descripción
208	WW02L00016	JALADERA PUERTA(BCO)
213	WW02L00037	LATCH ASM.
220	WW02L00029	BISAGRA
220	WW02L00028	BISAGRA
234	WW02A00036	LIBERADOR TENS.IONES
236	WW02A00065	BOTON BELLEZA
401	WW02L00165	CUBIERTA SUPERIOR BLANCA ENS
404	WW02L00149	PANEL LATERAL
404	WW02L00149	PANEL LATERAL
404	WW02L00149	PANEL LATERAL
406	WW02F00060	ENS. ARNES ELEC.
407	WW02L00141	CUBIERTA
408	WW02F00076	BASTIDOR BASE
409	WW01L00477	ENS. LOGOTIPO MABE
412	WW02L00087	CUBIERTA INF.
417	WW02A00059	ENS. SOPORTE POST.
418	WW02L00108	ENS. SOPORTE FRONT.
420	WW02F00263	PANEL POSTERIOR
422	WW02F00022	CORD SET RETAINER
445	WW02F00124	CORDON TOMACORRIENTE
501	WW02A00011	SOPLADOR PUERTA
501	WW01F01162	SOPLADOR PUERTA
502	WW02A00012	CARCAZA ASPAS
502	WW02L00013	CARCAZA ASPAS
503	WW01F01125	BASE MOTOR
503	WW01L01163	BASE MOTOR
503	WW01L01163	BASE MOTOR
503	WW02L00642	BASE MOTOR
504	WW02F00027	SOPORTE MOTOR
506	572D559P006	CONDUCTO DE ESCAPE
510	WW01F01138	ENSAMBLE POLEA Y MOTOR
514	WW02A00008	ENS. BRAZO AUXILIAR
514	WW03F00350	ENS. BRAZO AUXILIAR
520	WW02F00031	CLIP MOTOR
532	WW02F00003	CORREA MOTOR
532	WW02A00232	CORREA MOTOR
534	WW02A00026	EMPAQUE ESCAPE SOPLADOR



SECADORA SME1520EBBYS0

Guía	Refacción	Descripción
534	WW02F00785	EMPAQUE ESCAPE SOPLADOR
600	WW02F00056	ENS. TAMBOR
610	WW02F00028	BANDA SECADORA
610	WW02F00854	BANDA SECADORA
620	WW02L00143	BAFFLE
623	WW02F00049	ARNES
626	WW02F00030	DIFUSOR
630	WW02A00019	SOPORTE Y FLECHA ENSAMBLE
635	WW02A00050	ENS. CALENTADOR
635	WW02A00050	ENS. CALENTADOR
635	WW02A00050	CALENTADOR ENSAMBLE
635	WW02A00050	ENS. CALENTADOR
637	WW02A00005	RETENEDOR RODAMIENTO
640	WW01A00443	GROUND STRAP ASSEMBLY
1101	WW02A00030	TORNILLO
1101	WW02A00211	TORNILLO
1102	WW02A00029	TORNILLO
1102	WW02A00211	TORNILLO
1103	WW02A00032	TORNILLO
1105	WW02A00002	ARANDELA
1120	WW02A00031	TORNILLO
1121	WW01A00001	TORNILLO
1124	WW02A00070	TORNILLO
1157	WW01A00456	TORNILLO #10