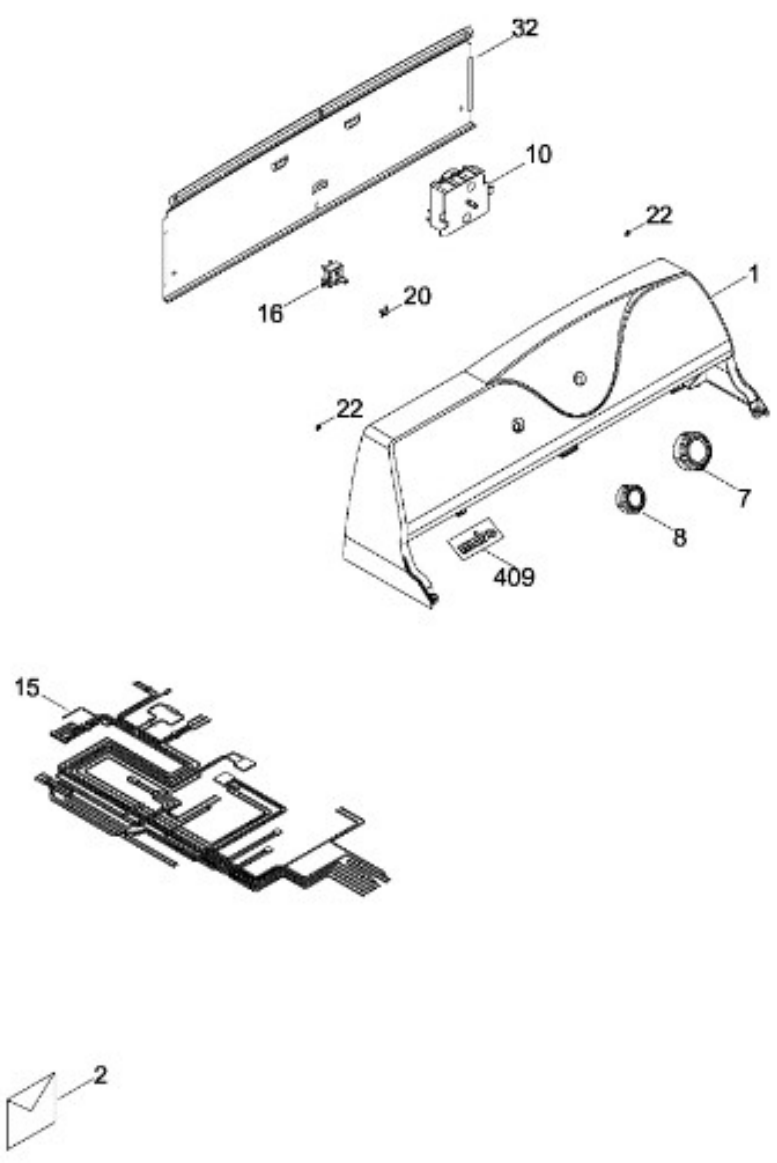




SECADORA SME1520PMBW0

SISTEMA CONTROLES / CONTROL SYSTEM

SME1520PMBW0



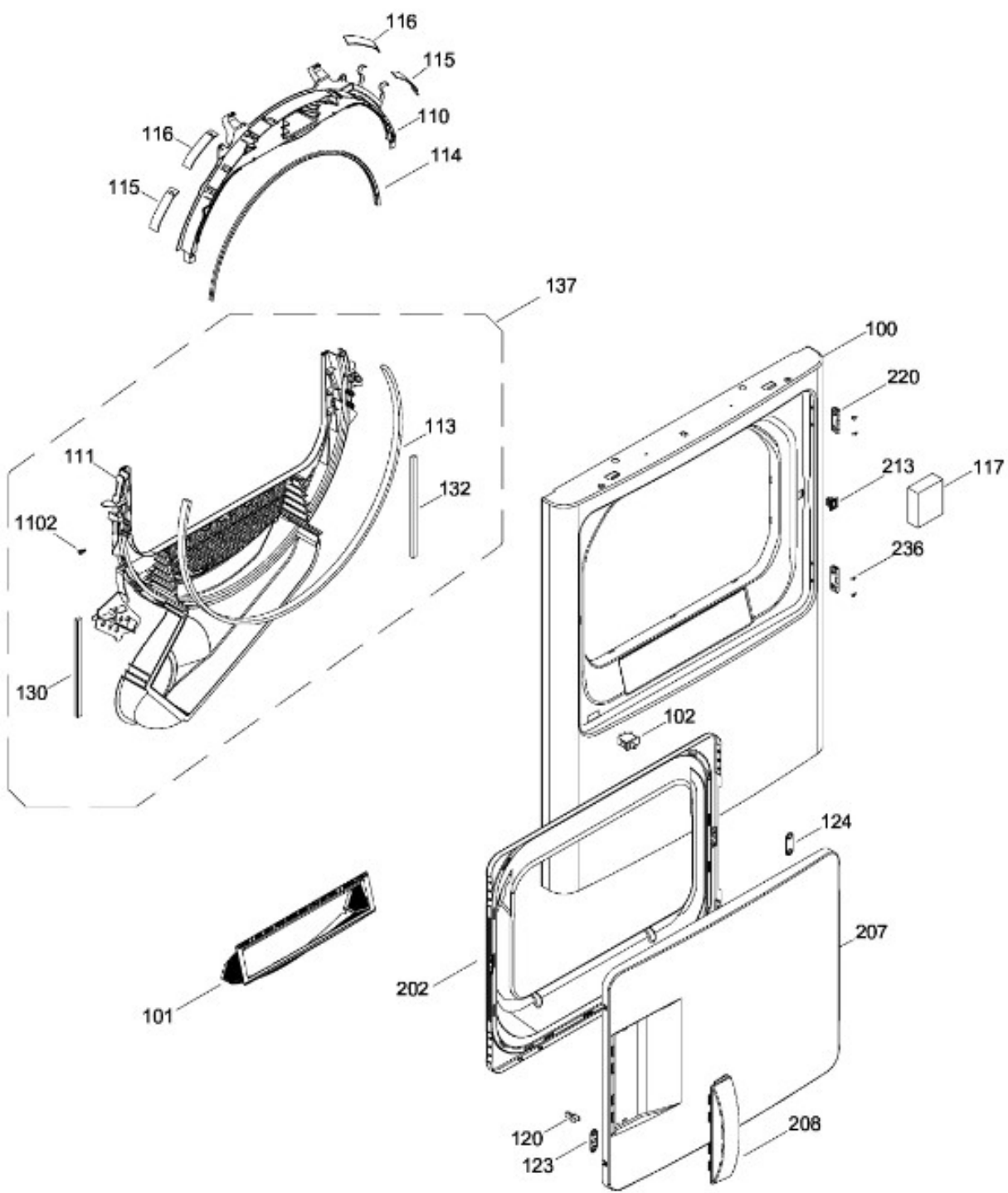
BENITO JUÁREZ #1500 GPE ZITON, CD. GUADALUPE NUEVO LEÓN TEL: 8183377999 Y 49
 HORARIOS: LUNES A VIERNES 8:30 A 6:00 PM Y SÁBADOS DE 8:30 A 2:00 PM
 WEB: www.denek.com



SECADORA SME1520PMBW0

PUERTA (ENSP) / DOOR (ASMP)

SME1520PMBW0



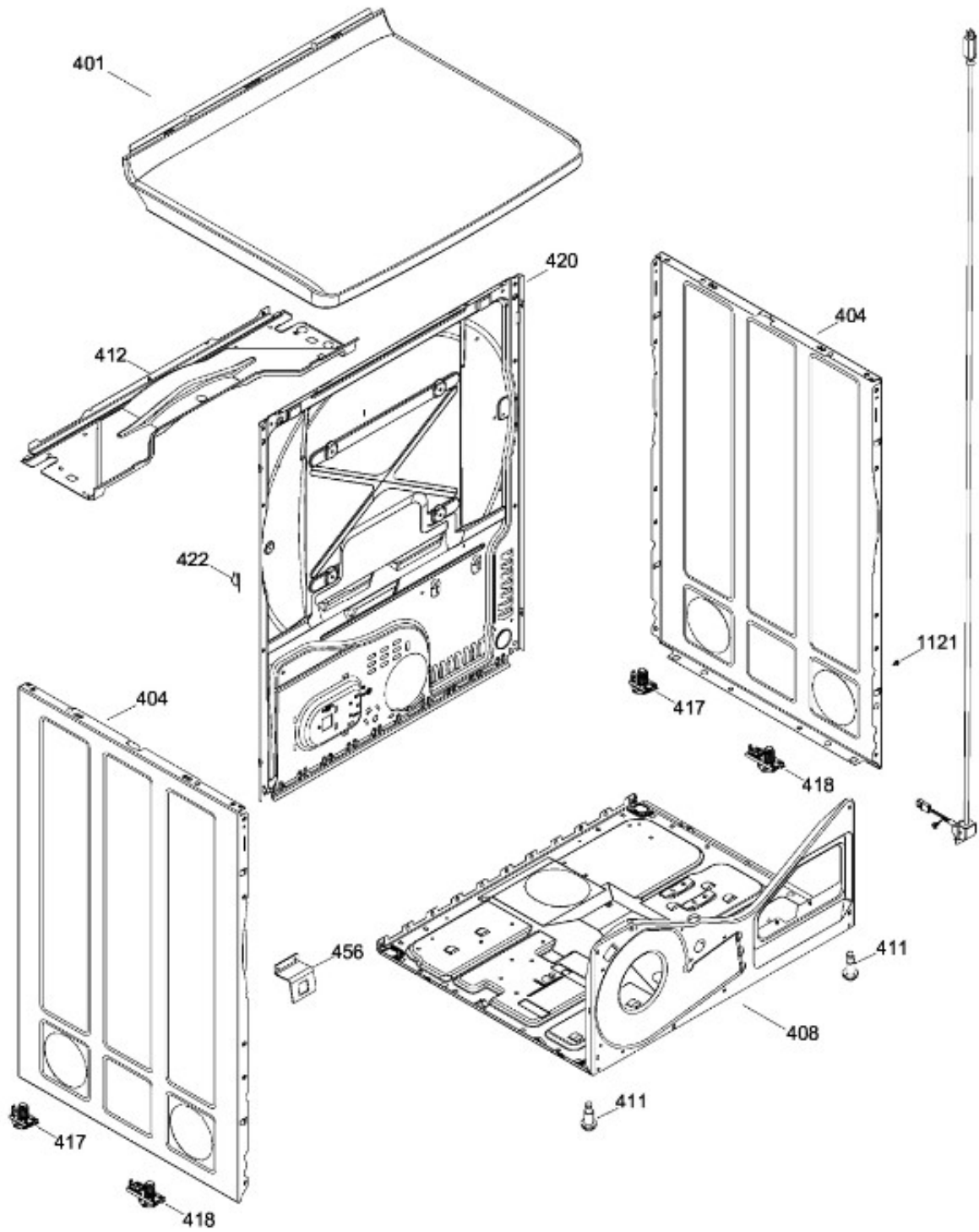
BENITO JUÁREZ #1500 GPE ZITON, CD. GUADALUPE NUEVO LEÓN TEL: 8183377999 Y 49
 HORARIOS: LUNES A VIERNES 8:30 A 6:00 PM Y SÁBADOS DE 8:30 A 2:00 PM
 WEB: www.denek.com



SECADORA SME1520PMBW0

CABINETE / STRUCTURE

SME1520PMBW0



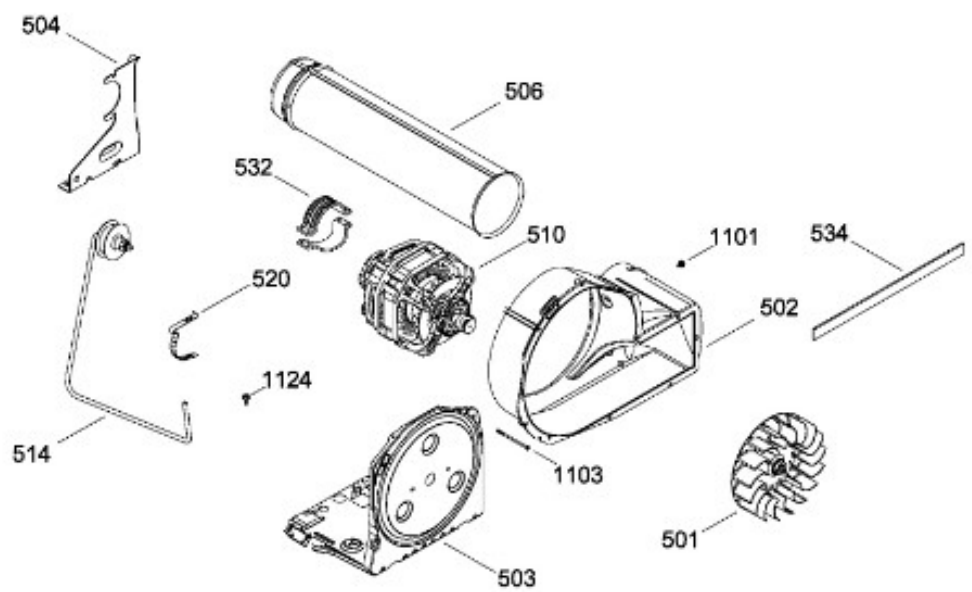
BENITO JUÁREZ #1500 GPE ZITON, CD. GUADALUPE NUEVO LEÓN TEL: 8183377999 Y 49
HORARIOS: LUNES A VIERNES 8:30 A 6:00 PM Y SÁBADOS DE 8:30 A 2:00 PM
WEB: www.denek.com



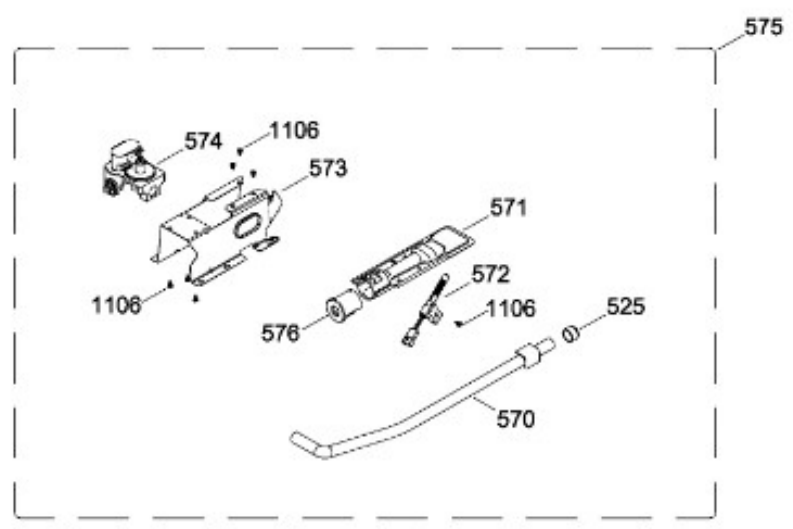
SECADORA SME1520PMBW0

SISTEMA DE TRANSMISION / BLOWER & DRIVE ASSEMBLY

SME1520PMBW0



QUEMADOR / BURNER



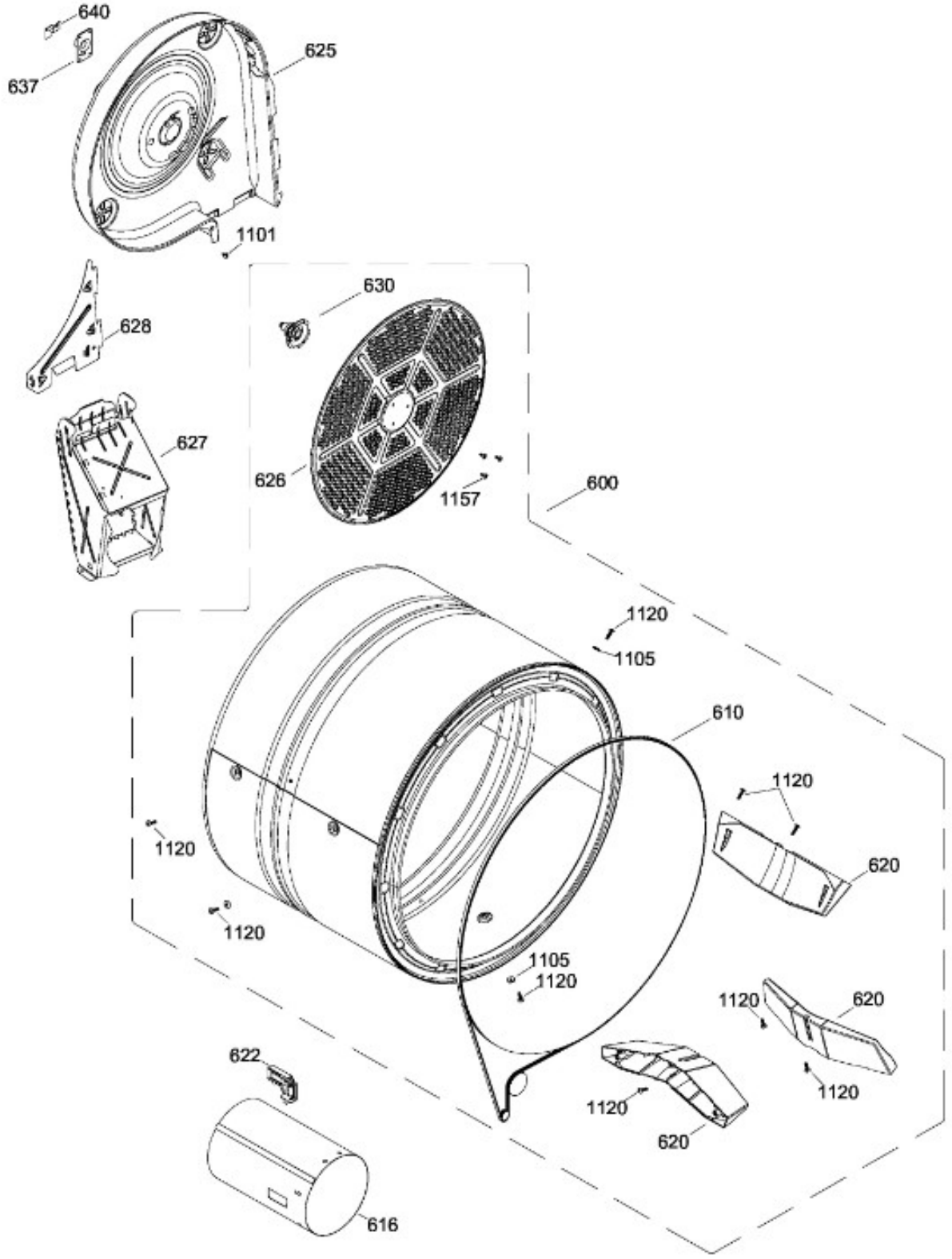
BENITO JUÁREZ #1500 GPE ZITON, CD. GUADALUPE NUEVO LEÓN TEL: 8183377999 Y 49
HORARIOS: LUNES A VIERNES 8:30 A 6:00 PM Y SÁBADOS DE 8:30 A 2:00 PM
WEB: www.denek.com



SECADORA SME1520PMBW0

TAMBOR / ДРУМ

SME1520PMBW0



BENITO JUÁREZ #1500 GPE ZITON, CD. GUADALUPE NUEVO LEÓN TEL: 8183377999 Y 49
HORARIOS: LUNES A VIERNES 8:30 A 6:00 PM Y SÁBADOS DE 8:30 A 2:00 PM
WEB: www.denek.com

Guía	Refacción	Descripción
1	WW02L00159	COPETE Y GRAFICOS ENS
2	234D1308P002	MANUAL DE USO Y CUIDADO (MABE)
7	WW02L00193	ENS. PERILLA CONTROL
8	WW02L00195	PERILLA ROTATORIA
10	212D1233P008	RELOJ (SPLASH GAS)
10	WW02F00065	RELOJ (SPLASH GAS)
15	WW02F00041	ARNES
15	WW02F00448	ARNES
16	WW02L00083	INTERRUPTOR DE INICIO
20	WW02L00137	BUJE PARA PEILLA
22	WW02A00062	TUERCA
32	WW02L00152	BACK PANEL
100	WW02L00049	PANEL FRONTAL
101	WW02F00190	FILTRO ATRAPAPELUSA
101	WW02F00615	FILTRO ATRAPAPELUSA
102	WW02L00025	INTERRUPTOR PUERTA
107	WW03L00062	ESPACIADOR PUERTA
110	WW02L00199	COJINETE SUP.
110	WW01L01430	COJINETE SUP.
111	WW02L00103	DUCTO
111	WW02F00600	DUCTO
113	WW02L00138	FELPA DUCTO RECOLECTOR
114	WW02L00145	SELLO PUERTA
115	WW02A00033	BEARING_SLIDE
116	WW02L00038	BEARING_SLIDE
117	WW02L00210	SEPARADOR PUERTA
120	WW02A00004	STRIKE
123	WW02A00056	STRIKE PLATE
124	WW02A00057	STRIKE PLATE
130	WW02L00042	SELLO
132	WW02L00039	SELLO
132	WW03F00354	SELLO
137	WW02F00248	DUCTO TRAMPA ENS (SIN SENSORES)
137	WW02F00598	DUCTO TRAMPA ENS (SIN SENSORES)
202	WW02L00053	INNER DOOR

Guía	Refacción	Descripción
207	WW02L00051	PUERTA EXTERIOR
207	WW02L00051	PUERTA EXTERIOR
207	WW02L00051	PUERTA EXTERIOR
208	WW02L00016	JALADERA PUERTA(BCO)
213	WW02L00037	LATCH ASM.
220	WW02L00029	BISAGRA
220	WW02L00028	BISAGRA
236	WW02A00065	BOTON BELLEZA
401	WW02L00165	CUBIERTA SUPERIOR BLANCA ENS
404	WW02L00149	PANEL LATERAL
408	WW02F00076	BASTIDOR BASE
409	WW01L00477	ENS. LOGOTIPO MABE
411	WW02L00142	PATA ESTABILIZADORA ENS.
412	WW02L00087	CUBIERTA INF.
417	WW02A00059	ENS. SOPORTE POST.
418	WW02L00108	ENS. SOPORTE FRONT.
420	WW02F00263	PANEL POSTERIOR
422	WW02F00022	CORD SET RETAINER
445	WW02F00086	POWER CORD
445	WW02F00091	POWER CORD
456	WW02A00037	BRIDE
501	WW02A00011	SOPLADOR PUERTA
501	WW01F01162	SOPLADOR PUERTA
502	WW02A00012	CARCAZA ASPAS
502	WW02L00013	CARCAZA ASPAS
502	WW02L00433	CAJA DEL VENTILADOR
503	WW01F01125	BASE MOTOR
503	WW01L01163	BASE MOTOR
503	WW01L01163	BASE MOTOR
503	WW02L00642	BASE MOTOR
504	WW02F00027	SOPORTE MOTOR
506	572D559P006	CONDUCTO DE ESCAPE
510	WW02F00015	MOTOR POLEA ENS.
510	WW03A00209	MOTOR POLEA ENS.
514	WW02A00008	ENS. BRAZO AUXILIAR

Guía	Refacción	Descripción
514	WW03F00350	ENS. BRAZO AUXILIAR
520	WW02F00031	CLIP MOTOR
525	WW02A00003	TAPA
532	WW02F00003	CORREA MOTOR
532	WW02A00232	CORREA MOTOR
534	WW02A00026	EMPAQUE ESCAPE SOPLADOR
534	WW02F00785	EMPAQUE ESCAPE SOPLADOR
570	WW02A00058	PIPE & LUG ASM.
570	WW03F00137	PIPE & LUG ASM.
571	WW02A00020	QUEMADORES
572	WW01F01432	IGNITOR
573	WW02F00077	GAS VALVE BRACKET
573	WW03A00125	GAS VALVE BRACKET
574	WW02F00096	VALVUAL DE GAS ENS.
575	WW02F00081	ENS. VALVULA QUEMADOR
576	WW03F00099	CONTRA VENTANA
600	WW02F00056	ENS. TAMBOR
610	WW02F00028	BANDA SECADORA
610	WW02F00854	BANDA SECADORA
616	WW02F00260	TUBO DE COMBUSTION
616	WW02F00260	TUBO DE COMBUSTION
620	WW02L00143	BAFFLE
622	WW02F00001	DETECTOR TERMOSTATO
625	WW02L00014	DIFUSOR GAS
625	WW03F00095	DIFUSOR GAS
626	WW02F00030	DIFUSOR
627	WW02F00127	DUCTO DE TRANSICION
627	WW03F00539	DUCTO DE TRANSICION
628	WW03F00297	PLACA DIFUSORA
628	WW03F00097	PLACA DIFUSORA
630	WW02A00019	SOPORTE Y FLECHA ENSAMBLE
637	WW02A00005	RETENEDOR RODAMIENTO
640	WW01A00443	GROUND STRAP ASSEMBLY
1101	WW02A00030	TORNILLO
1101	WW02A00211	TORNILLO

Guía	Refacción	Descripción
1102	WW02A00029	TORNILLO
1102	WW02A00211	TORNILLO
1103	WW02A00032	TORNILLO
1105	WW02A00002	ARANDELA
1106	WW02A00027	SCREW
1120	WW02A00031	TORNILLO
1121	WW01A00001	TORNILLO
1124	WW02A00070	TORNILLO
1157	WW01A00456	TORNILLO #10