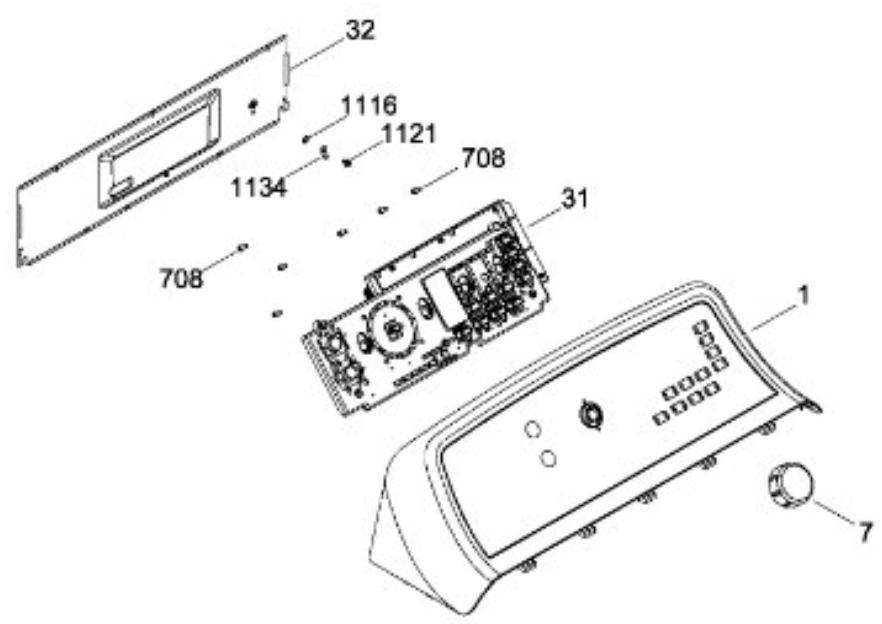




# SECADORA SME17R8XSBBT00

SISTEMA CONTROLES / CONTROL SYSTEM

SME17R8XSBBT00  
SME17R8XSBBCT00



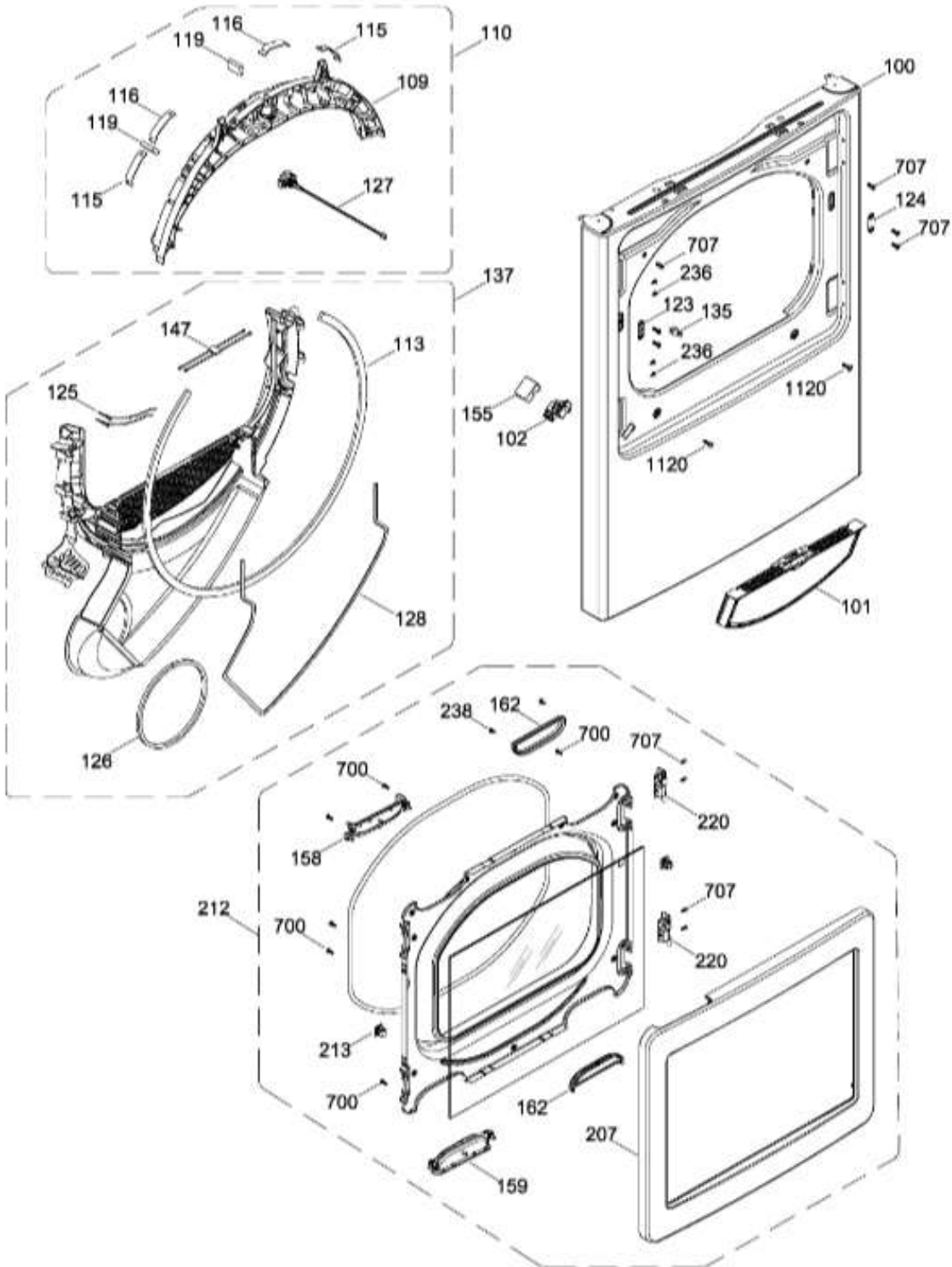
BENITO JUÁREZ #1500 GPE ZITON, CD. GUADALUPE NUEVO LEÓN TEL: 8183377999 Y 49  
HORARIOS: LUNES A VIERNES 8:30 A 6:00 PM Y SÁBADOS DE 8:30 A 2:00 PM  
WEB: [www.denek.com](http://www.denek.com)



# SECADORA SME17R8XSBBT00

PANEL FRONTAL (ENS) / FRONT PANEL (ASM)  
PUERTA (ENS) / DOOR (ASM)

SME17R8XSBBT00  
SME17R8XSBBCT00



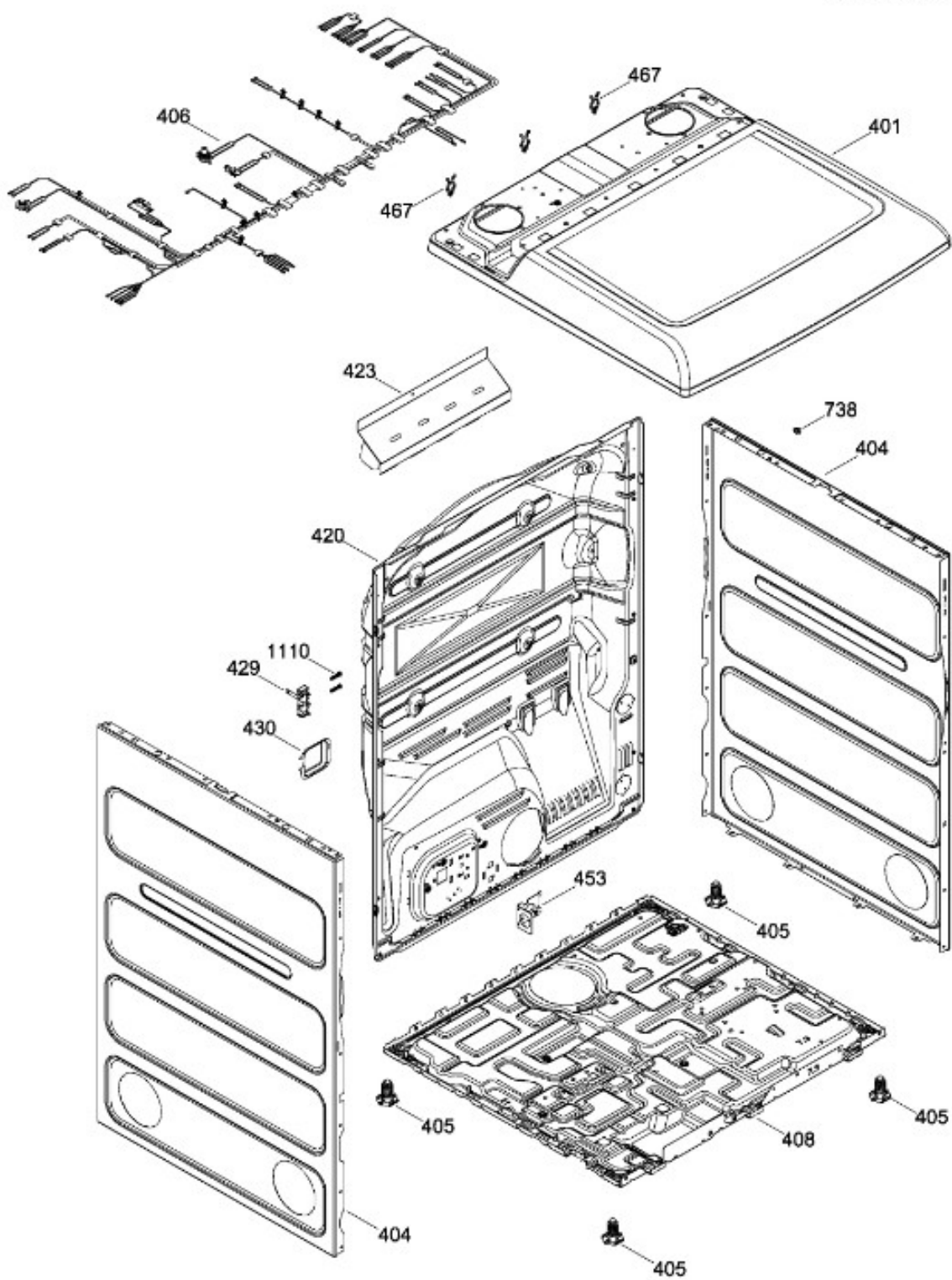
BENITO JUÁREZ #1500 GPE ZITON, CD. GUADALUPE NUEVO LEÓN TEL: 8183377999 Y 49  
HORARIOS: LUNES A VIERNES 8:30 A 6:00 PM Y SÁBADOS DE 8:30 A 2:00 PM  
WEB: [www.denek.com](http://www.denek.com)



# SECADORA SME17R8XSBBT00

GABINETE / STRUCTURE

SME17R8XSBBT00  
SME17R8XSBBCT00



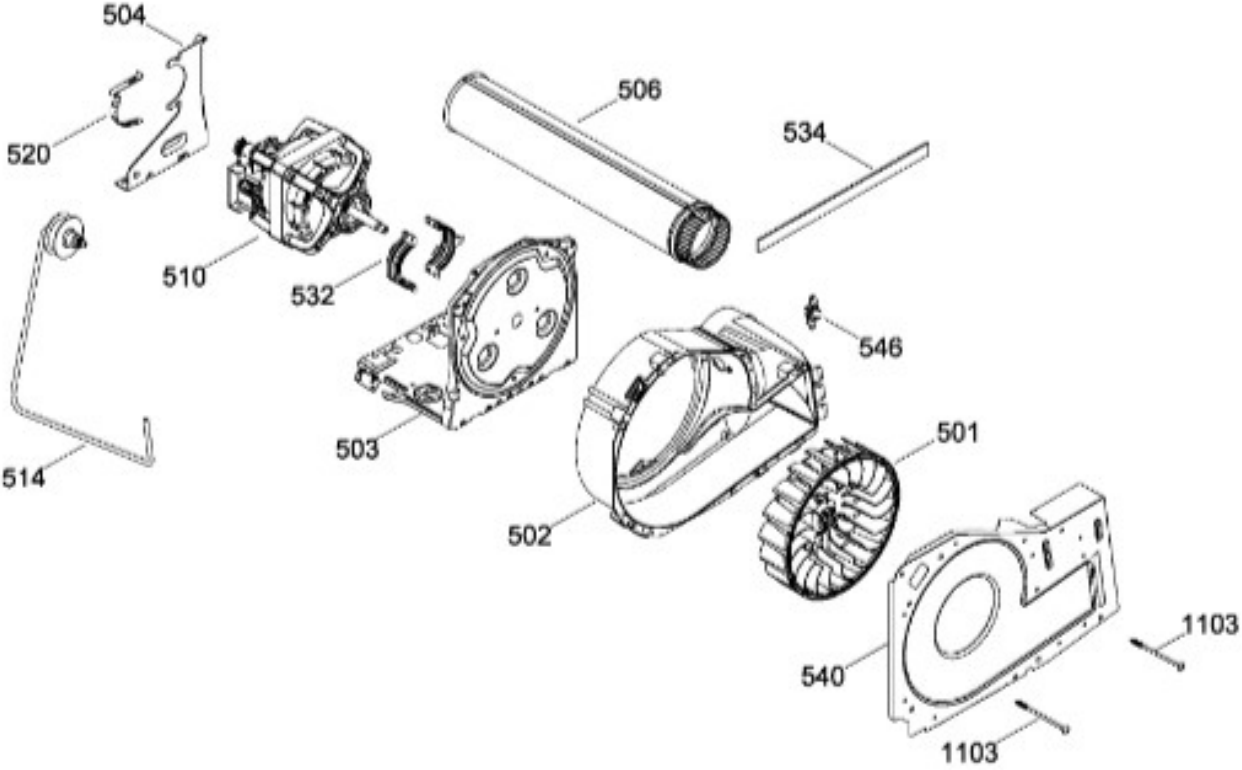
BENITO JUÁREZ #1500 GPE ZITON, CD. GUADALUPE NUEVO LEÓN TEL: 8183377999 Y 49  
HORARIOS: LUNES A VIERNES 8:30 A 6:00 PM Y SÁBADOS DE 8:30 A 2:00 PM  
WEB: [www.denek.com](http://www.denek.com)



# SECADORA SME17R8XSBBT00

SISTEMA DE TRANSMISION (ENS) / BLOWER & DRIVE (ASM)

SME17R8XSBBT00  
SME17R8XSBBCT00



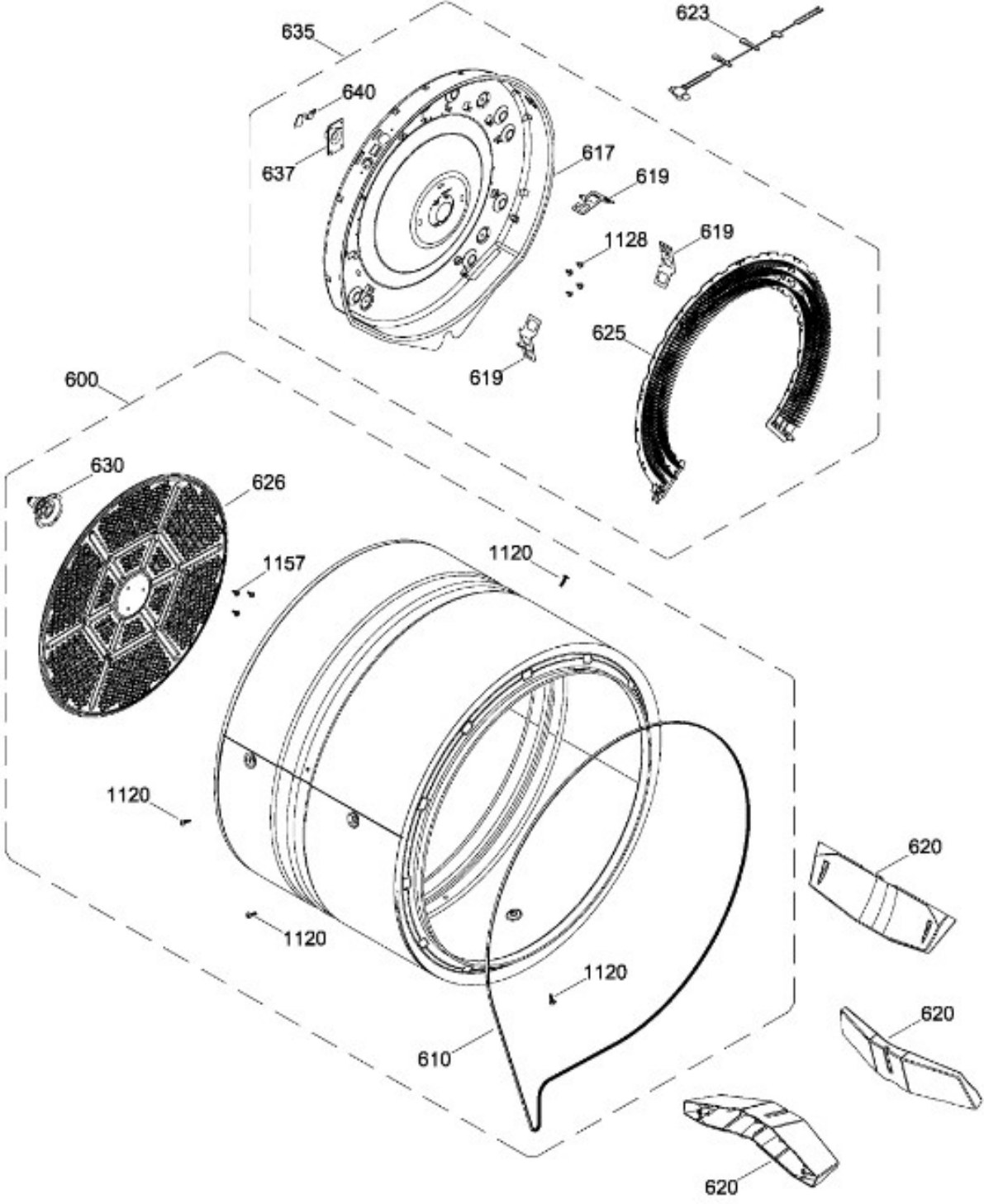
BENITO JUÁREZ #1500 GPE ZITON, CD. GUADALUPE NUEVO LEÓN TEL: 8183377999 Y 49  
HORARIOS: LUNES A VIERNES 8:30 A 6:00 PM Y SÁBADOS DE 8:30 A 2:00 PM  
WEB: [www.denek.com](http://www.denek.com)



# SECADORA SME17R8XSBBT00

TAMBOR (ENS) / DRUM (ASM)

SME17R8XSBBT00  
SME17R8XSBBCT00



BENITO JUÁREZ #1500 GPE ZITON, CD. GUADALUPE NUEVO LEÓN TEL: 8183377999 Y 49  
HORARIOS: LUNES A VIERNES 8:30 A 6:00 PM Y SÁBADOS DE 8:30 A 2:00 PM  
WEB: [www.denek.com](http://www.denek.com)

| Guía | Refacción  | Descripción                  |
|------|------------|------------------------------|
| 1    | WW02F00712 | ENSAMBLE COPETE IMD          |
| 7    | WW01L01654 | ENSAMBLE PERILLA             |
| 31   | WW02L00590 | ENSAMBLE CHASIS Y TARJETA    |
| 31   | WW02L00590 | ENSAMBLE CHASIS Y TARJETA    |
| 32   | WW02L00502 | PANEL TRASERO                |
| 100  | WW02L00560 | PANEL FRONTAL                |
| 101  | WW02F00534 | FILTRO ATRAPAPELUSA ENSAMBLE |
| 102  | WW02L00465 | INTERRUPTOR DE PUERTA        |
| 102  | WW02F00809 | INTERRUPTOR DE PUERTA        |
| 109  | WW02A00194 | COJINETE SUPERIOR            |
| 110  | WW02L00463 | ENSAMBLE COJINETE SUPERIOR   |
| 113  | WW01L01329 | FELPA COLECTOR DE AIRE       |
| 113  | WW02F00783 | FELPA COLECTOR DE AIRE       |
| 115  | WW03A00015 | COJINETE DESLIZABLE          |
| 116  | WW03A00016 | COJINETE DESLIZABLE          |
| 116  | WW02A00250 | COJINETE DESLIZABLE          |
| 119  | WW02F00131 | FIELTRO                      |
| 119  | WW02F00784 | FIELTRO                      |
| 123  | WW02A00056 | STRIKE PLATE                 |
| 124  | WW02A00057 | STRIKE PLATE                 |
| 125  | WW02F00088 | SENSOR ROD                   |
| 126  | WW02L00040 | GASKET FOAM                  |
| 127  | WW02F00627 | LED ASM                      |
| 127  | WW02L00676 | LED ASM                      |
| 128  | WW02L00527 | SELLO                        |
| 135  | WW03F00307 | SEGURO                       |
| 137  | WW02F00669 | ENSAMBLE DUCTO               |
| 147  | WW02F00533 | ARNES SENSOR ENSAMBLE        |
| 147  | WW02F00757 | ARNES SENSOR ENSAMBLE        |
| 155  | WW02L00466 | PROTECTOR INTERRUPTOR        |
| 158  | WW02L00538 | INSERTO JALADERA             |
| 159  | WW02L00539 | INSERTO JALADERA             |
| 162  | WW02F00741 | INSERTO TAPA                 |
| 207  | WW02L00594 | MARCO PUERTA                 |
| 212  | WW02L00593 | ENSAMBLE PUERTA DE VIDRIO    |

| Guía | Refacción  | Descripción                    |
|------|------------|--------------------------------|
| 213  | WW02F00622 | LATCH                          |
| 220  | WW02L00534 | BISAGRA ASM                    |
| 236  | WW02A00065 | BOTON BELLEZA                  |
| 238  | WW02A00082 | BEAUTY BOTTON                  |
| 401  | WW02L00473 | CUBIERTA SUPERIOR AP           |
| 404  | WW02L00461 | PANEL LATERAL                  |
| 405  | WW02L00244 | PATA NIVELADORA                |
| 406  | WW02F00702 | ARNES ELECTRICO                |
| 408  | WW01L01655 | BASE CHASIS                    |
| 420  | WW02L00536 | PANEL POSTERIOR                |
| 420  | WW02L00536 | PANEL POSTERIOR                |
| 423  | WW02L00107 | ESCUDO CALOR POST.             |
| 429  | WW02F00172 | TERMINAL BLOCK                 |
| 430  | WW02L00211 | CUBIERTA TERMINAL FUSIBLE      |
| 453  | WW02A00128 | SOPORTE ANTI TENSION           |
| 453  | WW01A00535 | SOPORTE ANTI TENSION           |
| 467  | WW02F00704 | HARDWARE COMPONENTS            |
| 501  | WW02F00522 | VENTILADOR 8.5"                |
| 501  | WW02F00900 | VENTILADOR 8.5"                |
| 502  | WW02F00694 | CUBIERTA VENTILADOR            |
| 503  | WW02F00523 | PLACA MOTOR                    |
| 503  | WW02F00523 | PLACA MOTOR                    |
| 504  | WW02F00027 | SOPORTE MOTOR                  |
| 506  | WW02F00537 | DUCTO DE ESCAPE                |
| 510  | WW02F00733 | MOTOR Y POLEA ENSAMBLE         |
| 514  | WW03F00350 | ENSAMBLE BRAZO TENSOR          |
| 520  | WW02F00031 | CLIP MOTOR                     |
| 532  | WW02F00003 | CORREA MOTOR                   |
| 532  | WW02A00232 | CORREA MOTOR                   |
| 534  | WW02A00026 | EMPAQUE ESCAPE SOPLADOR        |
| 534  | WW02F00785 | EMPAQUE ESCAPE SOPLADOR        |
| 540  | WW02L00537 | PLATO VENTILADOR               |
| 540  | WW02L00537 | PLATO VENTILADOR               |
| 546  | WW02F00334 | TERMISTOR DE CONTROL DE SALIDA |
| 600  | WW02F00531 | ENSAMBLE TAMBOR                |

| <b>Guía</b> | <b>Refacción</b> | <b>Descripción</b>          |
|-------------|------------------|-----------------------------|
| 610         | WW03F00351       | BANDA                       |
| 610         | WW02F00028       | BANDA                       |
| 610         | WW02F00854       | BANDA SECADORA              |
| 617         | WW02L00021       | CUBIERTA CALENTADOR         |
| 617         | WW02L00021       | CUBIERTA CALENTADOR         |
| 619         | WW01A00442       | SOPORTE DE PROTECCION       |
| 620         | WW02L00421       | ALETA                       |
| 623         | WW02F00703       | ENS ARNES HIGH LIMIT        |
| 625         | WW03F00180       | CALENTADOR ENS              |
| 626         | WW02F00827       | DIFUSOR                     |
| 630         | WW02A00019       | ENS. SOPORTE BUJE           |
| 635         | WW03F00321       | CALENTADOR Y CUBIERTA ENS   |
| 637         | WW02A00005       | RETENEDOR RODAMIENTO        |
| 640         | WW02F00833       | SOPORTE TIERRA ENS          |
| 700         | WW02A00102       | SCREW CHASSIS TO FRONT HSG. |
| 707         | WW01A00539       | TORNILLO                    |
| 708         | WW01A00582       | TORNILLO                    |
| 738         | WW02A00214       | ARANDELA CABEZA REDONDA     |
| 1103        | WW02A00032       | TORNILLO                    |
| 1110        | WW02A00121       | TORNILLO                    |
| 1116        | WW03A00004       | ARANDELA DENTADA            |
| 1120        | WW02A00031       | TORNILLO                    |
| 1121        | WW01A00001       | TORNILLO                    |
| 1128        | WW02A00211       | TORNILLO ESTANDARIZANTE     |
| 1134        | WW01F01797       | LENGUETA DE ATERRIZAJE      |
| 1157        | WW01A00456       | TORNILLO #10                |