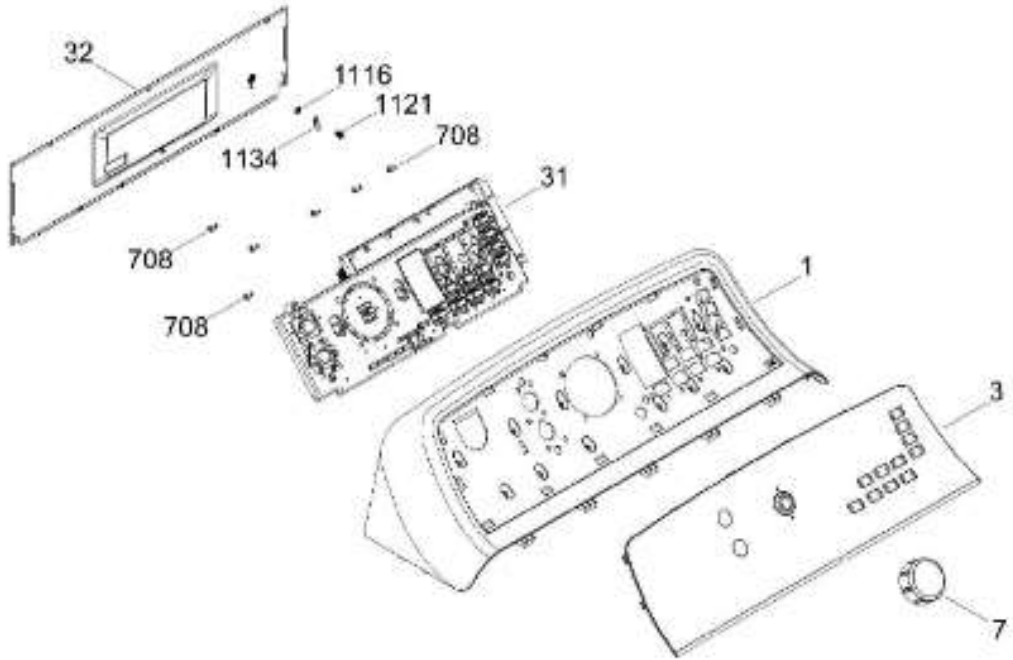




SECADORA SME17R8XSGBT10

SISTEMA CONTROLES / CONTROL SYSTEM

SME17R8XSGBT10



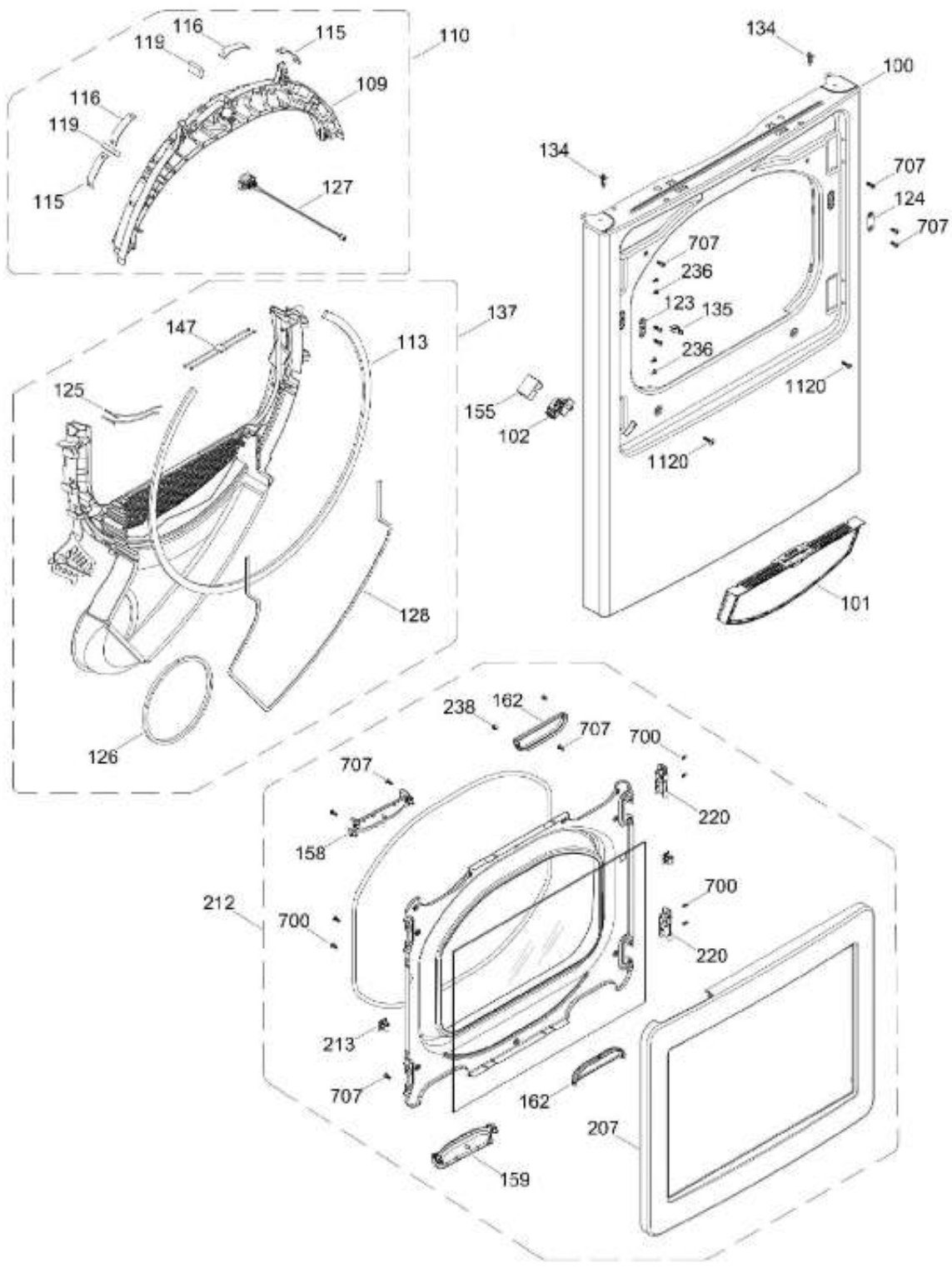
BENITO JUÁREZ #1500 GPE ZITON, CD. GUADALUPE NUEVO LEÓN TEL: 8183377999 Y 49
HORARIOS: LUNES A VIERNES 8:30 A 6:00 PM Y SÁBADOS DE 8:30 A 2:00 PM
WEB: www.denek.com



SECADORA SME17R8XSGBT10

PANEL FRONTAL (ENS) / FRONT PANEL (ASM)
PUERTA (ENS) / DOOR (ASM)

SME17R8XSGBT10



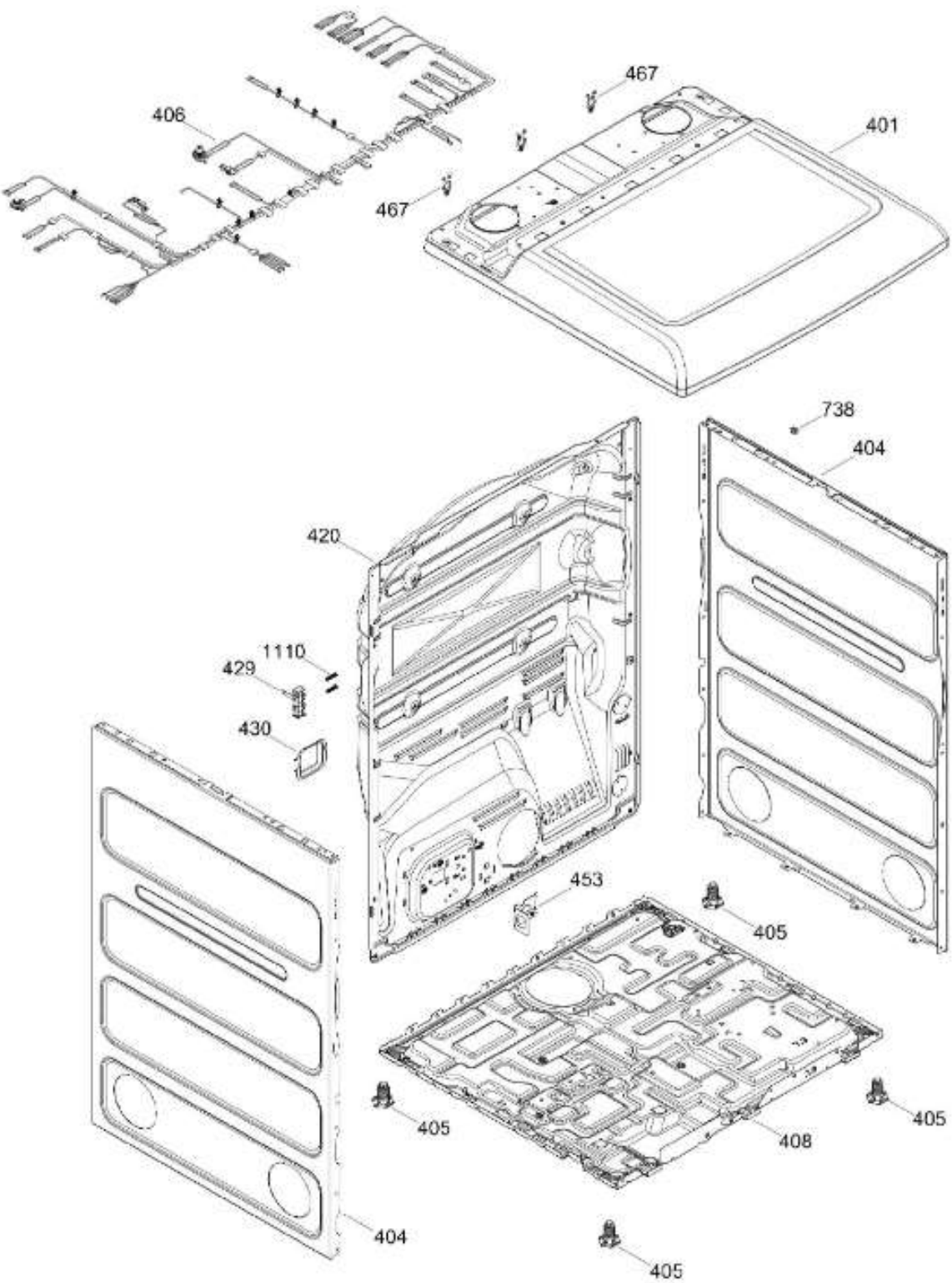
BENITO JUÁREZ #1500 GPE ZITON, CD. GUADALUPE NUEVO LEÓN TEL: 8183377999 Y 49
HORARIOS: LUNES A VIERNES 8:30 A 6:00 PM Y SÁBADOS DE 8:30 A 2:00 PM
WEB: www.denek.com



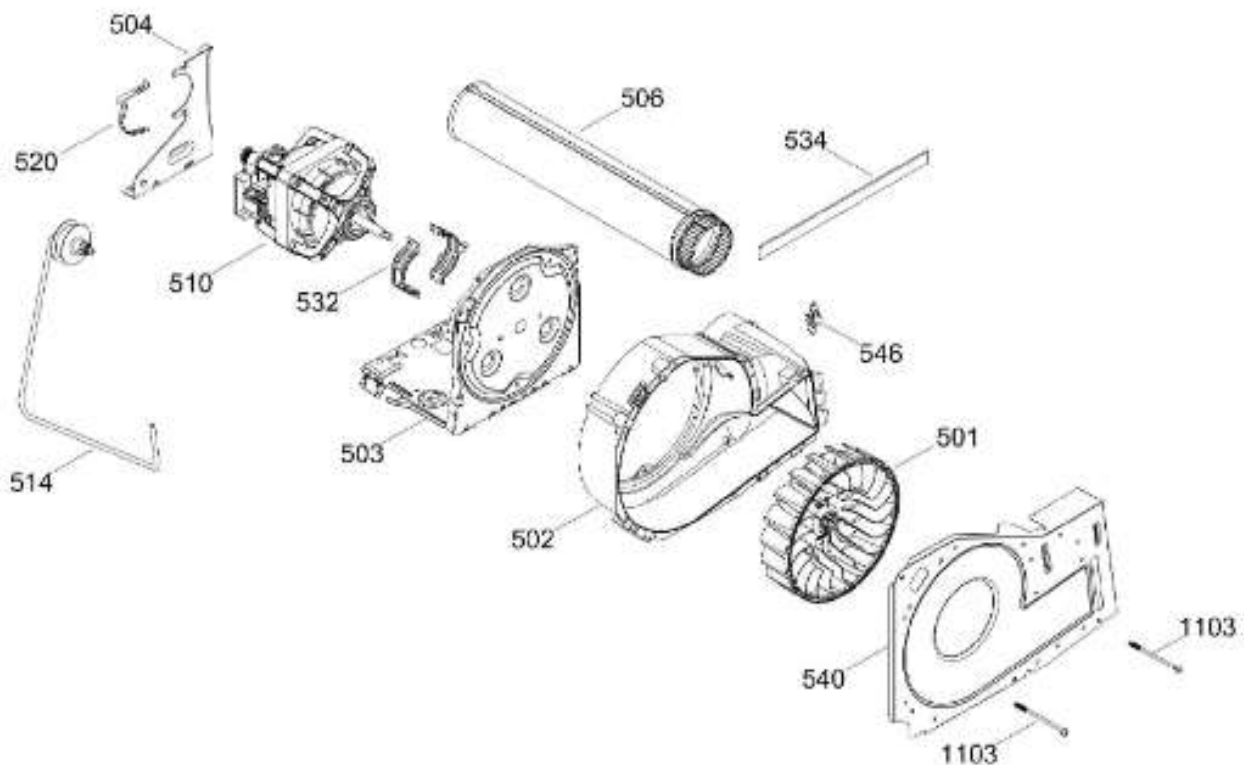
SECADORA SME17R8XSGBT10

GABINETE / STRUCTURE

SME17R8XSGBT10



BENITO JUÁREZ #1500 GPE ZITON, CD. GUADALUPE NUEVO LEÓN TEL: 8183377999 Y 49
HORARIOS: LUNES A VIERNES 8:30 A 6:00 PM Y SÁBADOS DE 8:30 A 2:00 PM
WEB: www.denek.com

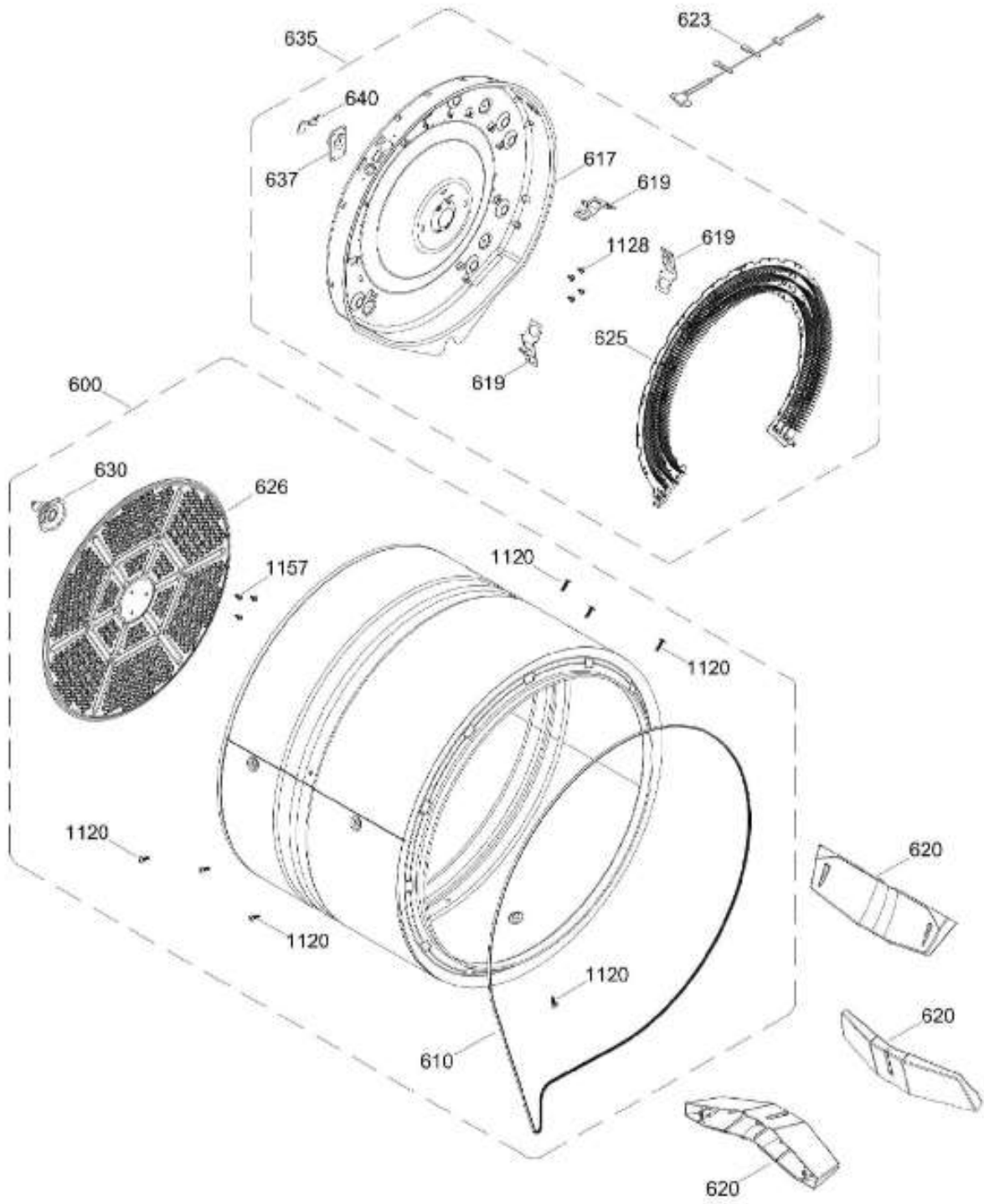




SECADORA SME17R8XSGBT10

TAMBOR (ENS) / DRUM (ASM)

SME17R8XSGBT10



BENITO JUÁREZ #1500 GPE ZITON, CD. GUADALUPE NUEVO LEÓN TEL: 8183377999 Y 49
HORARIOS: LUNES A VIERNES 8:30 A 6:00 PM Y SÁBADOS DE 8:30 A 2:00 PM
WEB: www.denek.com

Guía	Refacción	Descripción
1	WW02L00602	COPETE
3	WW02L00606	IMD ENSAMBLE
7	WW01L01654	ENSAMBLE PERILLA
31	WW02L00589	ENSAMBLE CHASIS Y TARJETA
31	WW02L00589	ENSAMBLE CHASIS Y TARJETA
32	WW02L00502	PANEL TRASERO
100	WW02L00577	PANEL FRONTAL
101	WW02F00534	FILTRO ATRAPAPELUSA ENSAMBLE
102	WW02L00465	INTERRUPTOR DE PUERTA
102	WW02F00809	INTERRUPTOR DE PUERTA
109	WW02A00194	COJINETE SUPERIOR
110	WW02L00463	ENSAMBLE COJINETE SUPERIOR
113	WW02F00783	FELPA DUCTO RECOLECTOR
115	WW03A00015	COJINETE DESLIZABLE
116	WW03A00016	COJINETE DESLIZABLE
116	WW02A00250	COJINETE DESLIZABLE
119	WW02F00784	FELPA
123	WW02A00056	STRIKE PLATE
124	WW02A00057	STRIKE PLATE
125	WW02F00088	SENSOR ROD
126	WW02L00040	GASKET FOAM
127	WW02F00627	LED ASM
127	WW02L00676	LED ASM
128	WW02L00527	SELLO
134	WW02A00035	SOPORTE BLOQUEO
135	WW03F00307	SEGURO
137	WW02F00669	ENSAMBLE DUCTO
147	WW02F00757	ARNES SENSOR ENSAMBLE
155	WW02L00466	PROTECTOR INTERRUPTOR
158	WW02L00538	INSERTO JALADERA
159	WW02L00539	INSERTO JALADERA
162	WW02L00540	INSERTO TAPA
207	WW02L00594	MARCO PUERTA
212	WW02L00593	ENSAMBLE PUERTA DE VIDRIO
213	WW02F00622	LATCH

Guía	Refacción	Descripción
220	WW02L00534	BISAGRA ASM
236	WW02A00066	BOTON BELLEZA
238	WW02A00082	BEAUTY BOTTON
401	WW02L00599	CUBIERTA SUPERIOR AP
404	WW02L00575	PANEL LATERAL
405	WW02L00244	PATA NIVELADORA
406	WW02F00702	ARNES ELECTRICO
408	WW01L01655	BASE CHASIS
420	WW02L00536	PANEL POSTERIOR
429	WW02F00172	TERMINAL BLOCK
430	WW02L00211	CUBIERTA TERMINAL FUSIBLE
453	WW02A00128	SOPORTE ANTI TENSION
453	WW01A00535	SOPORTE ANTI TENSION
467	WW02F00704	HARDWARE COMPONENTS
501	WW02F00522	VENTILADOR 8.5"
501	WW02F00900	VENTILADOR 8.5"
502	WW02F00694	CUBIERTA VENTILADOR
503	WW02F00523	PLACA MOTOR
504	WW02F00027	SOPORTE MOTOR
506	WW02F00537	DUCTO DE ESCAPE
510	WW02F00733	MOTOR Y POLEA ENSAMBLE
514	WW03F00350	ENSAMBLE BRAZO TENSOR
517	WW02L00021	CUBIERTA CALENTADOR
520	WW02F00031	CLIP MOTOR
532	WW02F00003	CORREA MOTOR
532	WW02A00232	CORREA MOTOR
534	WW02F00785	EMPAQUE ESCAPE VENTILADOR
540	WW02L00537	PLATO VENTILADOR
546	WW02F00334	TERMISTOR DE CONTROL DE SALIDA
600	WW02F00531	ENSAMBLE TAMBOR
610	WW03F00351	BANDA
610	WW02F00028	BANDA
610	WW02F00854	BANDA SECADORA
619	WW01A00442	SOPORTE DE PROTECCION
620	WW02L00421	ALETA

Guía	Refacción	Descripción
623	WW02F00703	ENS ARNES HIGH LIMIT
625	WW03F00180	CALENTADOR ENS
626	WW02F00827	DIFUSOR
630	WW02A00019	ENS. SOPORTE BUJE
635	WW03F00366	MICA HEAT & HOUSING AS
637	WW02A00005	RETENEDOR RODAMIENTO
640	WW02F00833	SOPORTE TIERRA ENS
700	WW02A00102	SCREW CHASSIS TO FRONT HSG.
707	WW01A00539	TORNILLO
708	WW01A00582	TORNILLO
738	WW02A00214	ARANDELA CABEZA REDONDA
1103	WW02A00032	TORNILLO
1110	WW02A00121	TORNILLO
1116	WW03A00004	ARANDELA DENTADA
1120	WW02A00031	TORNILLO
1121	WW01A00001	TORNILLO
1128	WW02A00211	TORNILLO ESTANDARIZANTE
1134	WW01F01797	LENGUETA DE ATERRIZAJE
1157	WW01A00456	TORNILLO #10