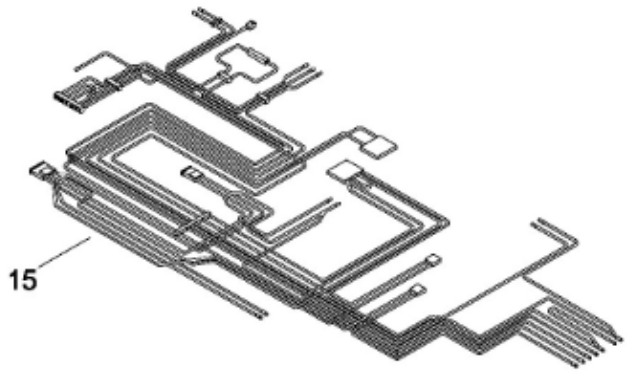
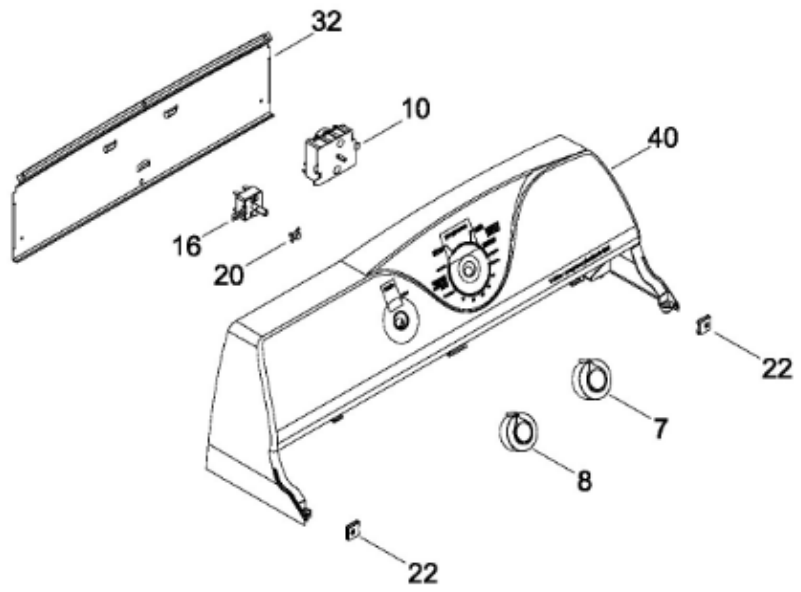


SECADORA SME625DPBB10

SISTEMA CONTROLES

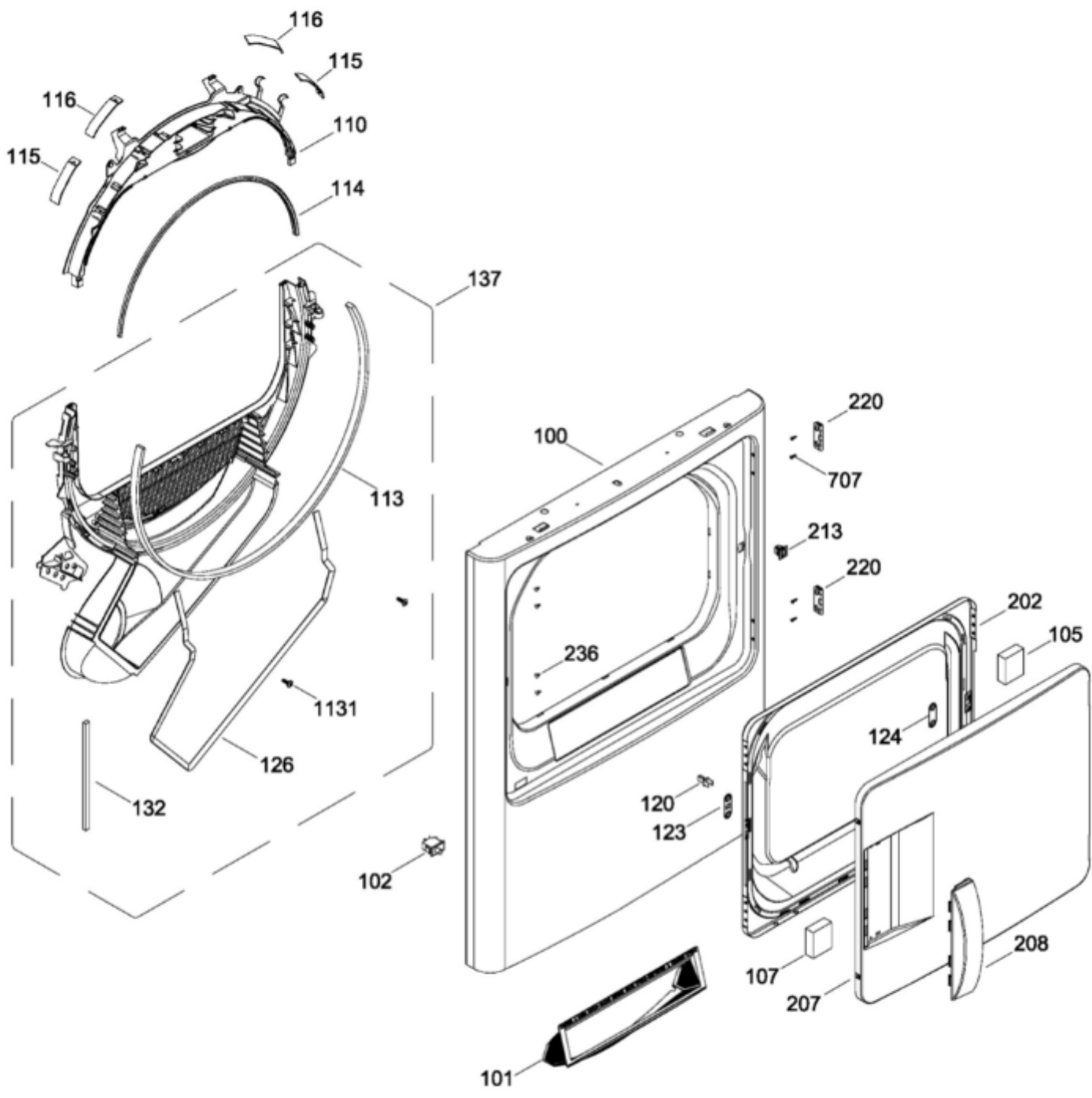
SME625DPBB10



SECADORA SME625DPBB10

PUERTA (ENS)

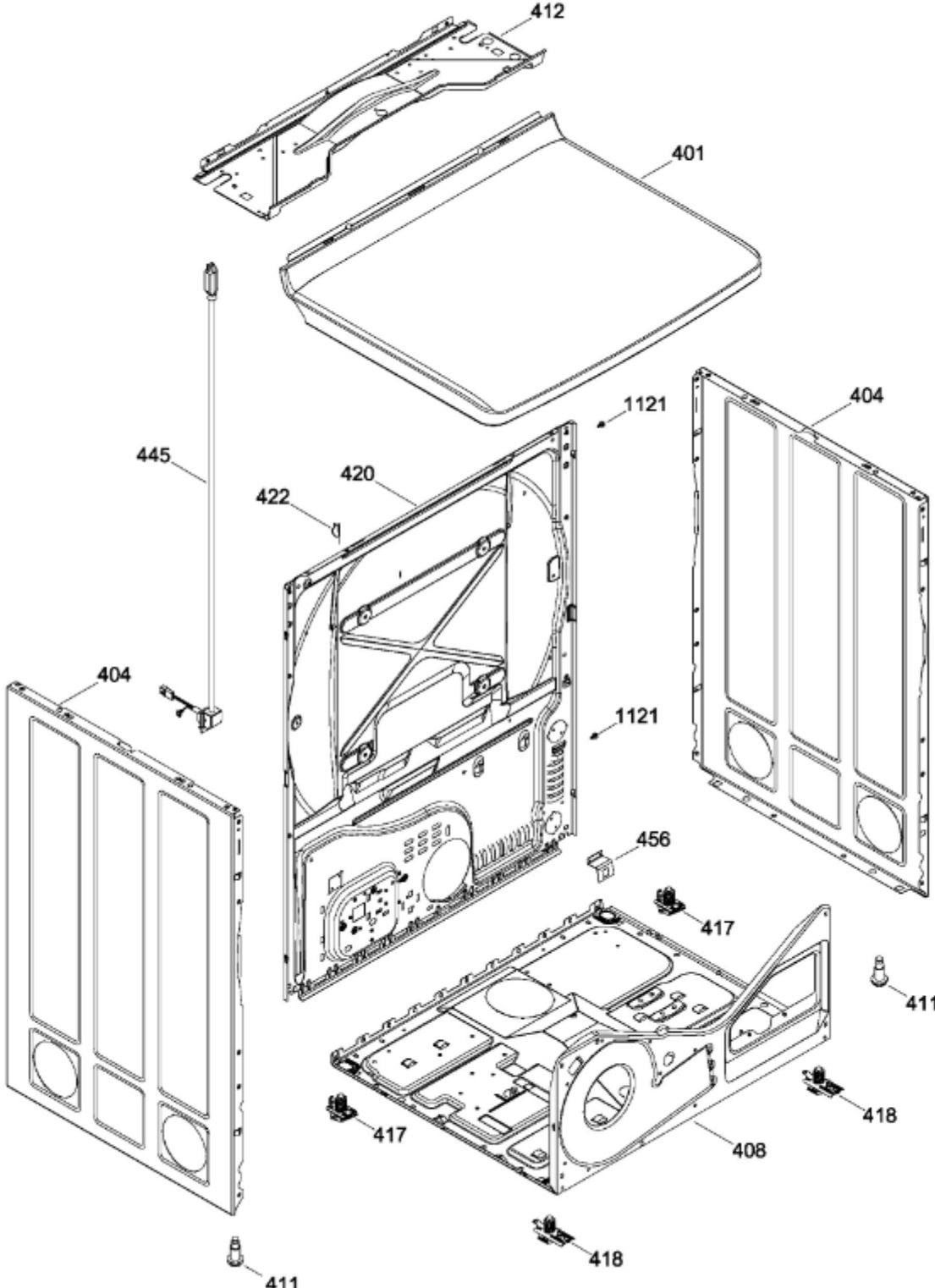
SME625DPBB10



SECADORA SME625DPBB10

GABINETE

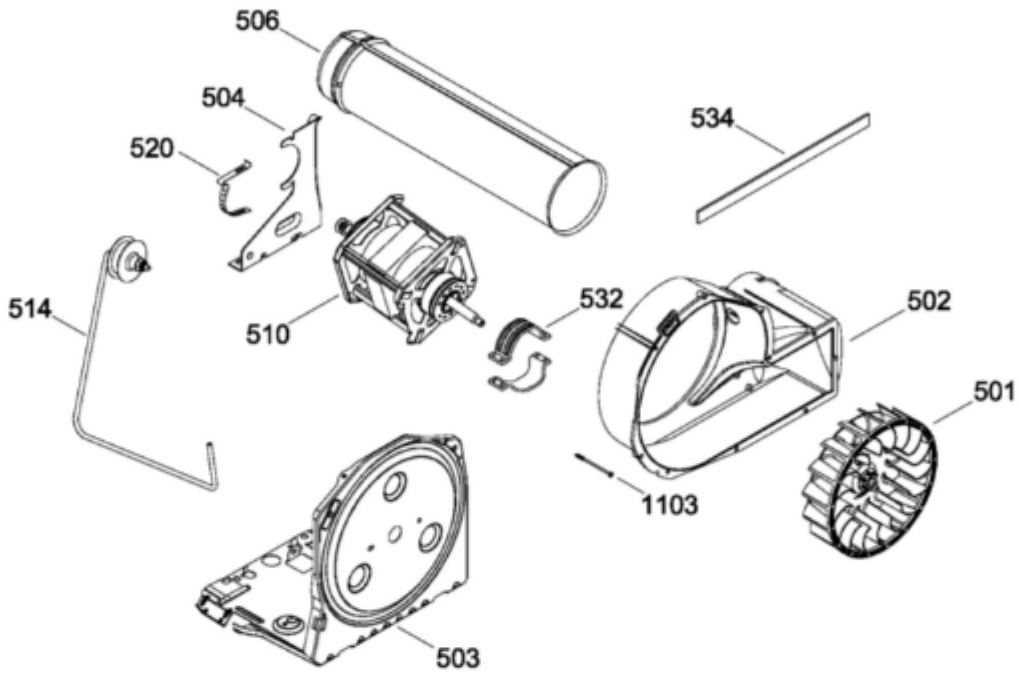
SME625DPBB10



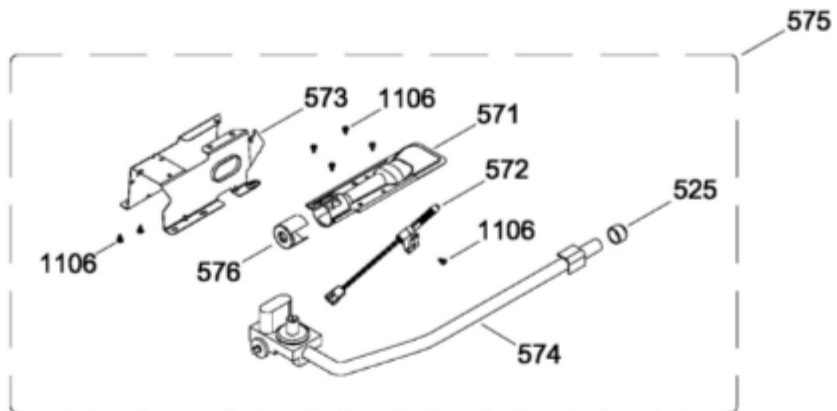
SECADORA SME625DPBB10

SISTEMA DE TRANSMISION / BLOWER & DRIVE ASSEMBLY

SME625DPBB10



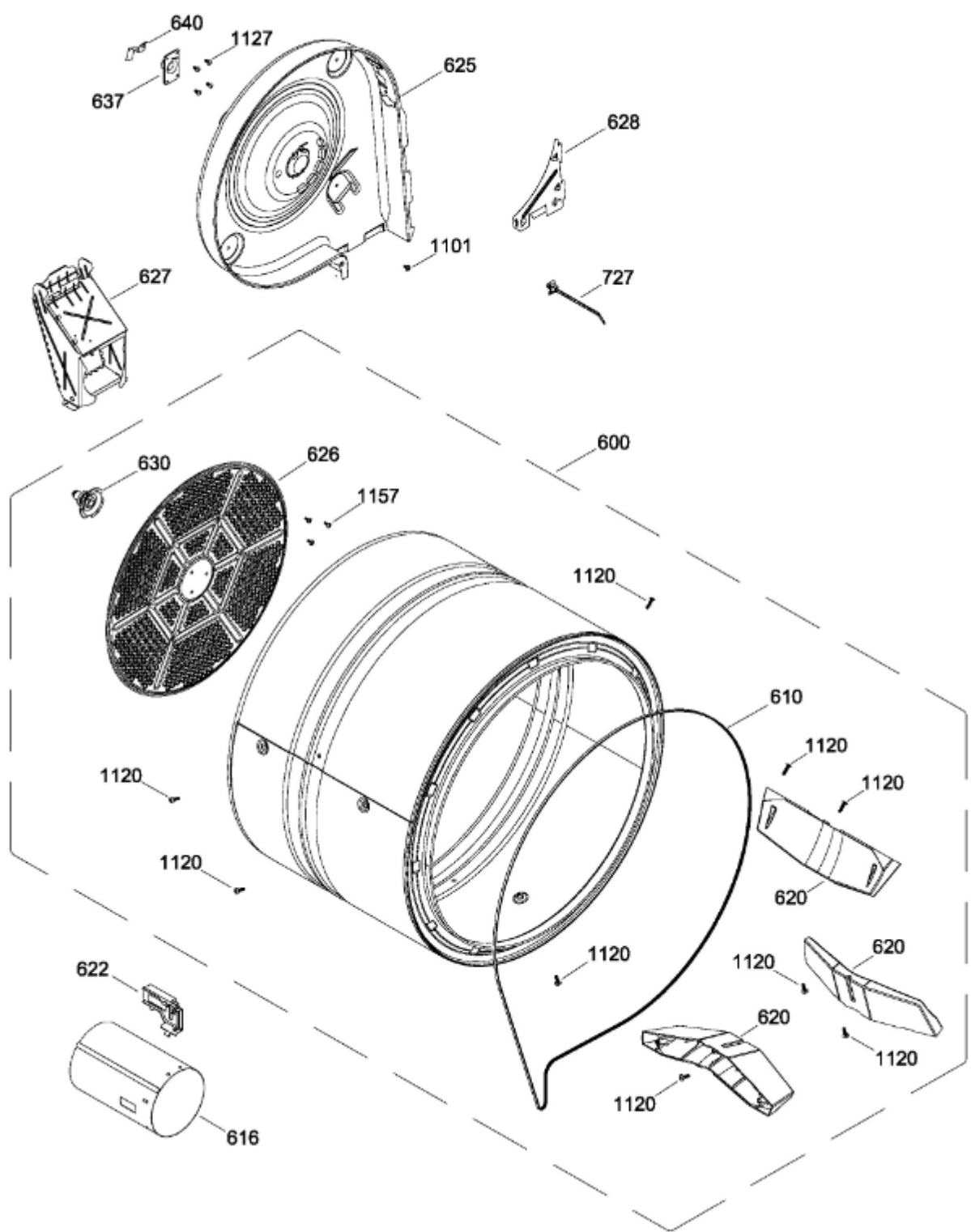
QUEMADOR / BURNER



SECADORA SME625DPBB10

TAMBOR

SME625DPBB10





SECADORA SME625DPBB10

Guía	Refacción	Descripción
7	WW01L01379	PERILLA DE CONTROL ENSAMBLE
8	WW01L01383	PERILLA ROTATORIA ENSAMBLE
10	WW02F00065	RELOJ
15	WW02F00041	ARNES
15	WW02F00448	ARNES
16	WW02L00083	INTERRUPTOR DE INICIO
20	WW02L00137	BUJE PARA PEILLA
22	WW02A00062	TUERCA
32	WW02L00152	BACK PANEL
40	WW02L00230	COPETE Y GRAFICOS ENS
100	WW02L00049	PANEL FRONTAL (BCO)
101	WW02F00190	FILTRO ATRAPAPELUSA
101	WW02F00615	FILTRO ATRAPAPELUSA
102	WW02L00025	INTERRUPTOR PUERTA
105	WW02L00210	SEPARADOR PUERTA
107	WW03L00062	ESPACIADOR PUERTA
110	WW02L00199	COJINETE SUP.
110	WW01L01430	COJINETE SUP.
113	WW01L01329	FELPA COLECTOR DE AIRE
113	WW02F00783	FELPA COLECTOR DE AIRE
113	WW02F00783	FELPA DUCTO RECOLECTOR
113	WW02F00783	FELPA DUCTO RECOLECTOR
114	WW02L00145	SELLO PUERTA
115	WW02A00033	BEARING_SLIDE
116	WW02L00038	BEARING_SLIDE
120	WW02A00004	STRIKE
123	WW02A00056	STRIKE PLATE
124	WW02A00057	STRIKE PLATE
126	WW02L00040	GASKET FOAM
132	WW02L00039	SELLO
132	WW03F00354	SELLO
137	WW02F00248	DUCTO TRAMPA ENS (SIN SENSORES)
137	WW02F00598	DUCTO TRAMPA ENS (SIN SENSORES)
202	WW02L00053	PUERTA INTERIOR(BLANCA)
207	WW02L00051	PUERTA EXTERIOR
207	WW02L00051	PUERTA EXTERIOR
208	WW02L00016	JALADERA PUERTA(BCO)



SECADORA SME625DPBB10

Guía	Refacción	Descripción
213	WW02L00037	LATCH ASM.
220	WW02L00029	BISAGRA
220	WW02L00028	BISAGRA
236	WW02A00065	BOTON BELLEZA
401	WW02L00165	CUBIERTA SUPERIOR BLANCA ENS
404	WW02L00149	PANEL LATERAL
404	WW02L00149	PANEL LATERAL
408	WW02F00076	BASTIDOR BASE
411	WW02L00142	PATA ESTABILIZADORA ENS.
412	WW03L00247	CUBIERTA INFERIOR
417	WW02A00059	ENS. SOPORTE POST.
418	WW02L00108	ENS. SOPORTE FRONT.
420	WW01L01170	PANEL POSTERIOR
422	WW02F00022	CORD SET RETAINER
445	WW02F00086	POWER CORD
445	WW02F00091	POWER CORD
456	WW02A00037	BRIDE
501	WW01F01162	VENTILADOR REDONDO
502	WW02A00012	CARCAZA ASPAS
502	WW02L00013	CARCAZA ASPAS
503	WW01L01163	BASE MOTOR
503	WW01L01163	BASE MOTOR
503	WW01L01163	BASE MOTOR
503	WW02L00642	BASE MOTOR
504	WW02F00027	SOPORTE MOTOR
506	572D559P006T	CONDUCTO DE ESCAPE
510	WW02F00015	MOTOR POLEA ENS.
510	WW03A00209	MOTOR POLEA ENS.
514	WW02A00008	ENS. BRAZO AUXILIAR
514	WW03F00350	ENS. BRAZO AUXILIAR
520	WW02F00031	CLIP MOTOR
525	WW02A00003	TAPA
532	WW02F00003	CORREA MOTOR
532	WW02A00232	CORREA MOTOR
534	WW02A00026	EMPAQUE ESCAPE SOPLADOR
534	WW02F00785	EMPAQUE ESCAPE SOPLADOR
571	WW02A00020	QUEMADORES



SECADORA SME625DPBB10

Guía	Refacción	Descripción
572	WW02F00002	ALLUME-GAZ
572	WW02F00740	ALLUME-GAZ
573	WW03A00125	SOPORTE VALVULA DE GAS
574	WW01F01529	VALVULA Y TUBO PARA GAS LP
575	WW02F00080	VALVULA Y QUEMADOR ENS
576	WW02L00140	AIRADOR
600	WW02F00056	ENS. TAMBOR
610	WW02F00028	BANDA SECADORA
610	WW02F00854	BANDA SECADORA
616	WW02F00260	CAMARA DE COMBUSTION
620	WW02L00143	BAFFLE
622	WW02F00001	DETECTOR TERMOSTATO
625	WW03F00095	DIFUSOR DE GAS
626	WW02F00221	DIFUSOR
626	WW02F00827	DIFUSOR
627	WW02F00127	DUCTO TRANSICION
627	WW02F00127	DUCTO TRANSICION
627	WW03F00539	DUCTO TRANSICION
628	WW03F00097	PLACA DIFUSOR
630	WW02A00019	SOPORTEYFLECHAENSAMBLE
637	WW02A00005	RETENEDOR RODAMIENTO
640	WW01A00443	GROUND STRAP ASSEMBLY
640	WW02F00833	GROUND STRAP ASSEMBLY
707	WW01A00539	TORNILLO
727	WW02A00061	TIE WRAP ARNESS
727	WW02F00402	TIE WRAP ARNESS
1101	WW02A00030	TORNILLO
1101	WW02A00211	TORNILLO
1103	WW02A00032	TORNILLO
1106	WW02A00027	SCREW
1120	WW02A00031	TORNILLO
1121	WW01A00001	TORNILLO
1127	WW01A00521	TORNILLO
1127	WW02A00211	TORNILLO
1131	WW02A00028	TORNILLO
1157	WW01A00456	TORNILLO #10