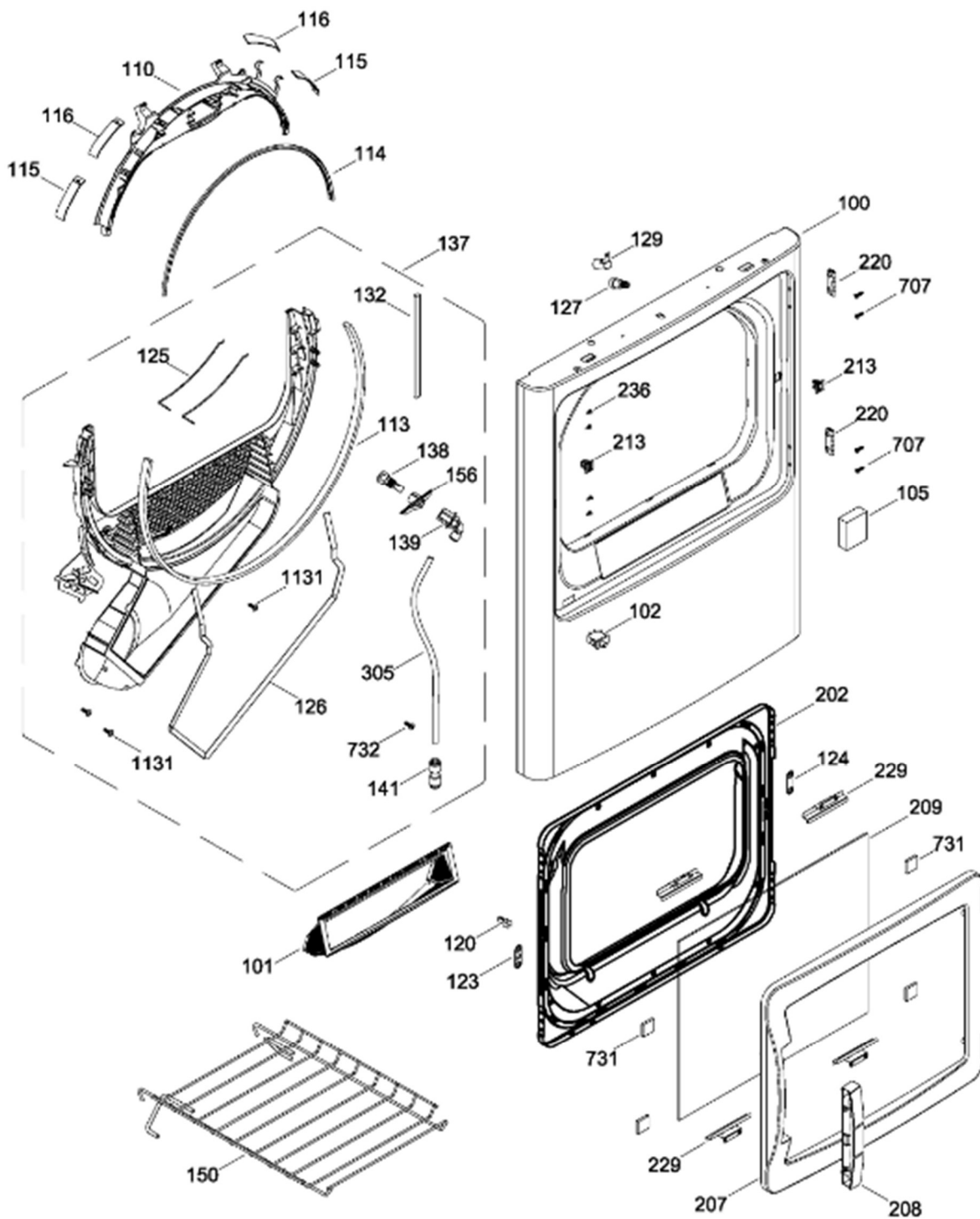


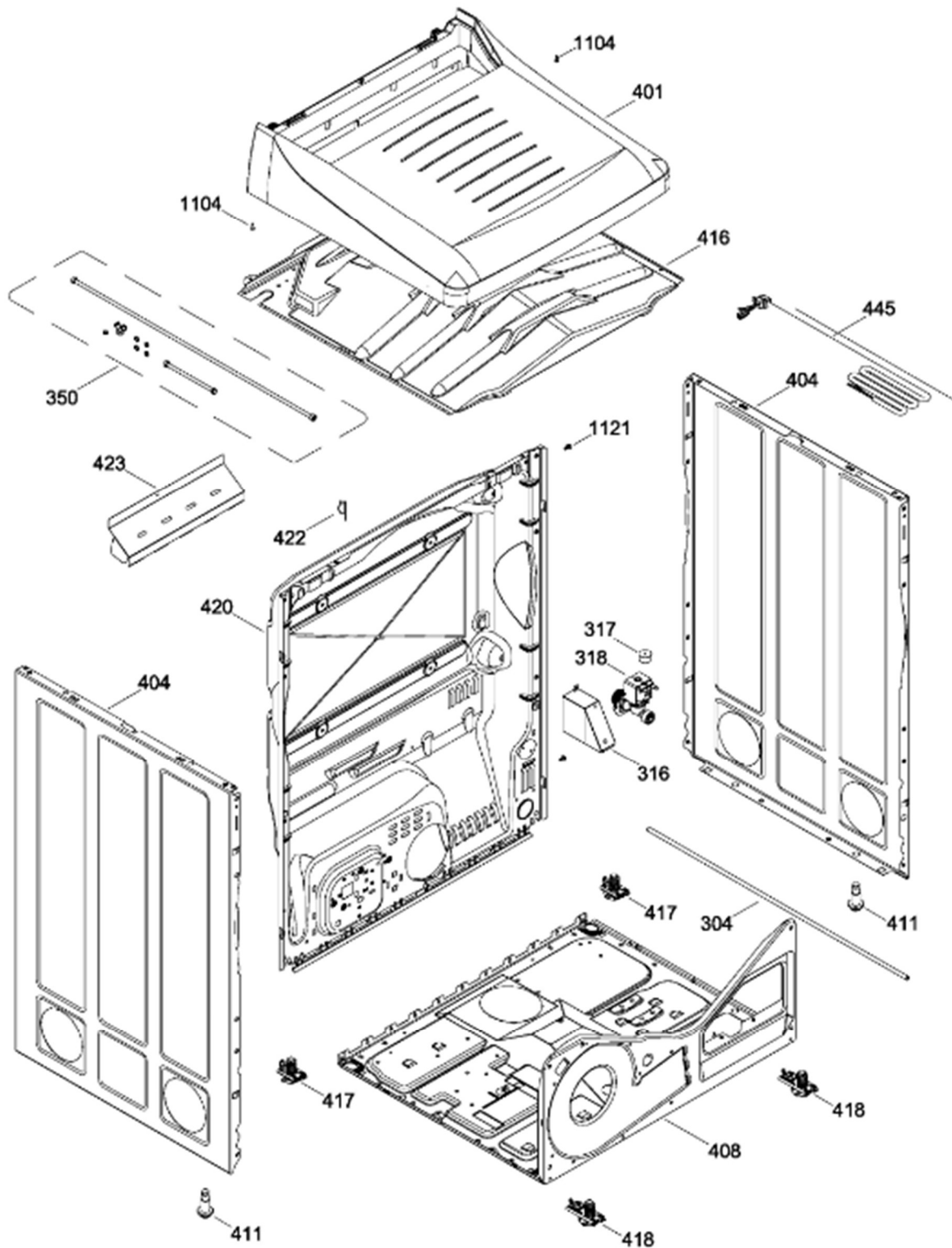
PUERTA (ENS)

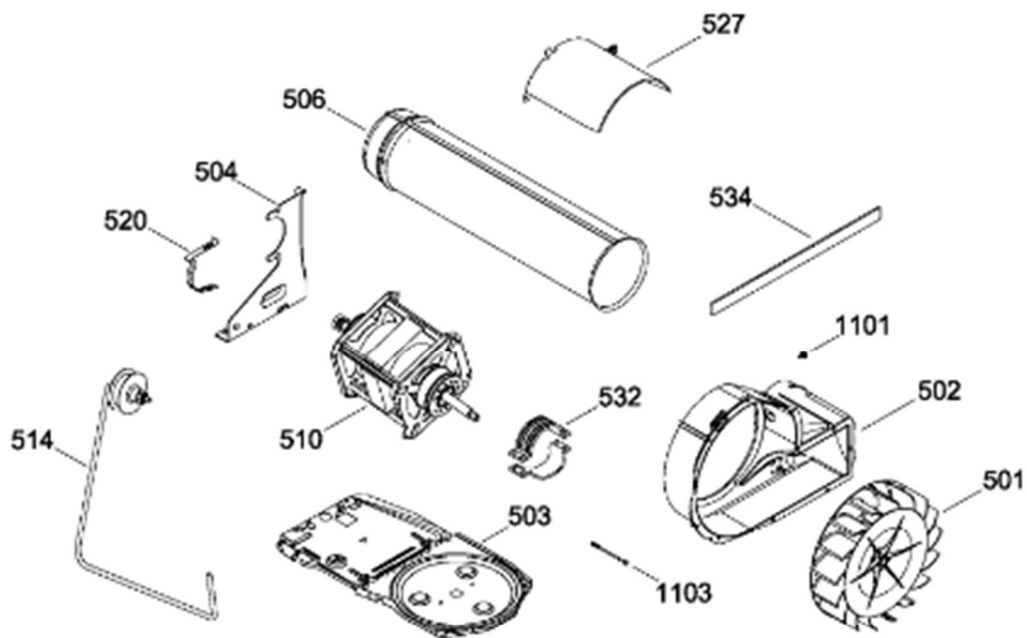
SMV719SXEGG00



GABINETE

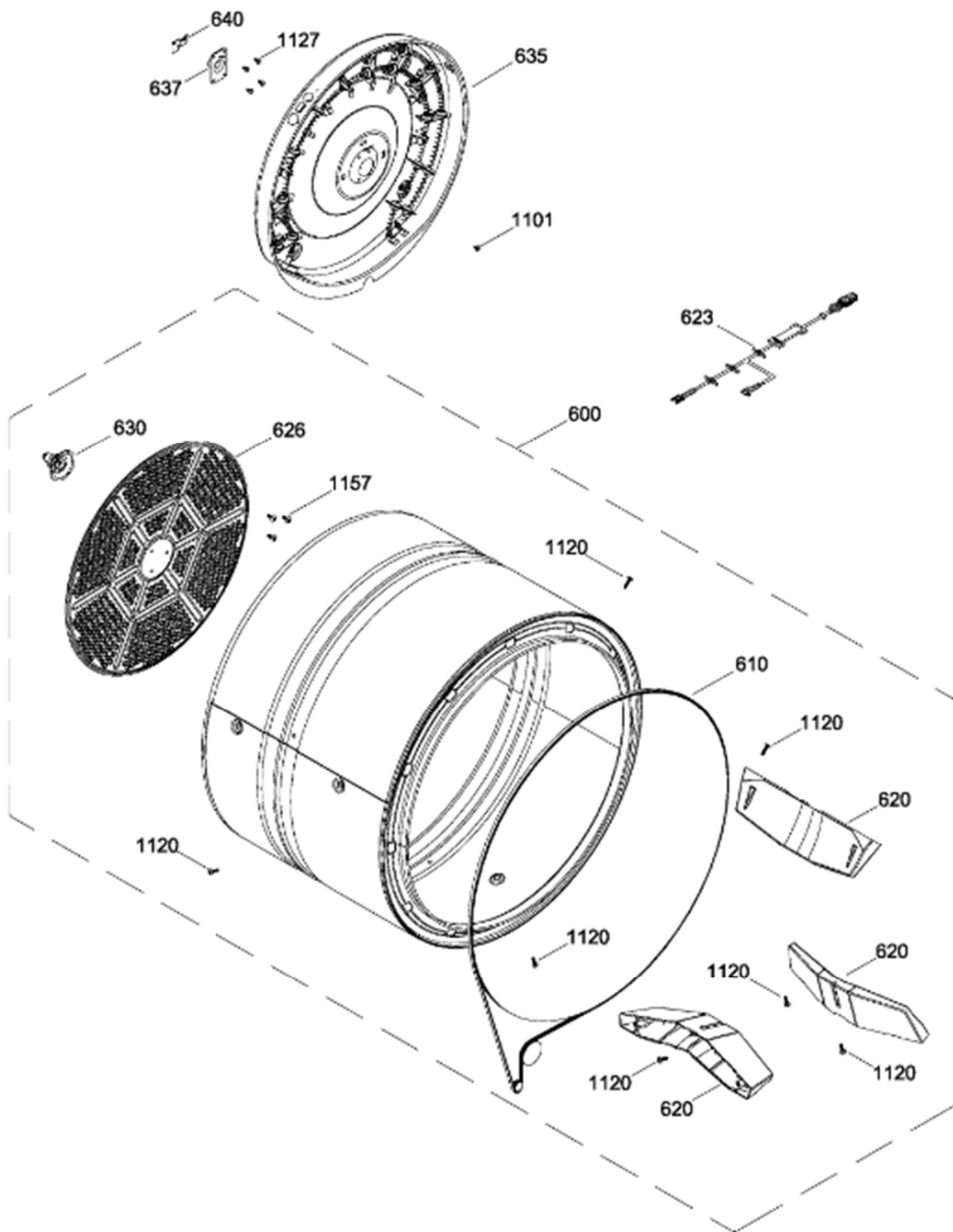
SMV719SXEGG00





TAMBOR

SMV719SXEGG00



Guía	Refacción	Descripción
1	WW03L00250	COPETE IML ENS
5	WW02L00032	CAPUCHON TOMACORRIENTE
15	WW03F00136	ARNES ELECTRICO C/TERMOSTATOS
26	WW03F00140	ARNES PUENTE
31	WW03F00141	TARJETA CONTROL
34	WW01F01135	ARNES SERIAL
39	WW01L01126	PERILLA CENTRAL
62	WW03L00105	TAPA BASE TARJETA
63	WW03L00106	TAPA PROTECTOR TARJETA
100	WW03L00098	PANEL FRONTAL PUERTA(GRAFITO)
101	WW02F00190	FILTRO ATRAPAPELUSA
101	WW02F00615	FILTRO ATRAPAPELUSA
101	WW02F00616	FILTRO
102	WW02L00025	INTERRUPTOR PUERTA
105	WW02L00210	SEPARADOR PUERTA
110	WW02L00199	COJINETE SUP.
110	WW01L01430	COJINETE SUP.
113	WW01L01329	FELPA COLECTOR DE AIRE
113	WW02F00783	FELPA COLECTOR DE AIRE
113	WW02F00783	FELPA DUCTO RECOLECTOR
114	WW02L00145	SELLO PUERTA
115	WW02A00033	BEARING_SLIDE
116	WW02L00038	BEARING_SLIDE
118	WW02F00094	ARNES SENS.OR
120	WW02A00004	STRIKE
123	WW02A00056	STRIKE PLATE
124	WW02A00057	STRIKE PLATE
125	WW02F00088	SENSOR ROD
126	WW02L00040	GASKET FOAM
127	WW02A00067	LAMP
127	WW03F00458	LAMP
127	WW03F00458	LAMPARA
127	WW03F00458	LAMPARA
129	WW02L00104	ENS. CLAVIJA
129	WW01F01584	ENS. CLAVIJA
132	WW02L00039	SELLO
132	WW03F00354	SELLO

Guía	Refacción	Descripción
137	WW03L00240	DUCTO TRAMPA ENS(CON SENSORES)
137	WW02F00601	DUCTO TRAMPA ENS(CON SENSORES)
138	WW02A00092	BOQUILLA
139	WW02F00121	CODO
141	WW01F01458	CONECTOR DE SERVICIO
150	WW02L00190	PARRILLA PARA ZAPATOS
156	WW03A00091	SOPORTE BOQUILLA
202	WW02L00054	PUERTA INTERIOR
202	WW02L00054	PUERTA INTERIOR
207	WW01L01364	PUERTA EXTERIOR
207	WW01L01493	PUERTA EXTERIOR
208	WW02L00057	JALADERA
208	WW01L01494	JALADERA
209	WW01L01365	VIDRIO PUERTA
213	WW02L00037	LATCH ASM.
220	WW02L00029	BISAGRA
220	WW02L00028	BISAGRA
229	WW02L00101	SOPORTE VIDRIO
229	WW02L00101	SOPORTE VIDRIO
236	WW02A00066	BOTON BELLEZA
304	WW03F00176	TUBO
305	WW03F00132	TUBO FRONTAL
316	WW03L00146	CUBIERTA VALVULA DE AGUA
317	WW03F00134	TAPON VALVULA DE AGUA
318	WW03F00135	VALVULA DE AGUA ENS
318	WW02F00182	VALVULA DE AGUA ENS
350	364B7057G001	KIT MANGUERAS EXTERNAS
401	WW02L00046	CUBIERTA PLASTICA
401	WW01L01491	CUBIERTA PLASTICA
404	WW03L00099	LATERAL(GRAFITO)
408	WW02F00076	BASTIDOR BASE
416	WW02A00045	DELFECTOR DE CALOR
416	WW02A00045	DELFECTOR DE CALOR
417	WW02A00059	ENS. SOPORTE POST.
418	WW02L00108	ENS. SOPORTE FRONT.
420	WW03L00095	PANEL POSTERIOR
422	WW02F00022	CORD SET RETAINER

Guía	Refacción	Descripción
423	WW02L00107	ESCUDO CALOR POST.
445	WW02F00016	CORDON TOMACORRIENTE
501	WW01F01162	VENTILADOR REDONDO
502	WW02F00109	BLOWER HOUSING
502	WW03L00150	BLOWER HOUSING
503	WW01L01163	BASE MOTOR
503	WW01L01163	BASE MOTOR
503	WW01L01163	BASE MOTOR
503	WW02L00642	BASE MOTOR
504	WW02F00027	SOPORTE MOTOR
506	572D559P006T	CONDUCTO DE ESCAPE
510	WW02F00015	MOTOR POLEA ENS.
510	WW03A00209	MOTOR POLEA ENS.
514	WW02A00008	ENS. BRAZO AUXILIAR
514	WW03F00350	ENS. BRAZO AUXILIAR
520	WW02F00031	CLIP MOTOR
527	WW03L00112	CUBIERTA MOTOR
532	WW02F00003	CORREA MOTOR
532	WW02A00232	CORREA MOTOR
534	WW02A00026	EMPAQUE ESCAPE SOPLADOR
534	WW02F00785	EMPAQUE ESCAPE SOPLADOR
600	WW02F00057	ENS. TAMBOR
610	WW02F00028	BANDA SECADORA
610	WW02F00854	BANDA SECADORA
620	WW02L00143	BAFFLE
623	WW03F00139	ARNES TERMOSTATO
626	WW02F00221	DIFUSOR
626	WW02F00827	DIFUSOR
630	WW02A00019	SOPORTE Y FLECHA ENSAMBLE
635	WW02A00049	CALENTADOR ENSAMBLE
637	WW02A00005	RETENEDOR RODAMIENTO
640	WW01A00443	GROUND STRAP ASSEMBLY
640	WW02F00833	GROUND STRAP ASSEMBLY
707	WW01A00539	TORNILLO
731	WW02A00120	CALZA
732	WW03A00092	TORNILLO 6-16 B B1Q1 3/4
1101	WW02A00030	TORNILLO

Guía	Refacción	Descripción
1101	WW02A00211	TORNILLO
1103	WW02A00032	TORNILLO
1104	WW01A00097	TORNILLO 8-18 X 7/16 AB FENIX
1120	WW02A00031	TORNILLO
1121	WW01A00001	TORNILLO
1127	WW01A00521	TORNILLO
1127	WW02A00211	TORNILLO
1131	WW02A00028	TORNILLO
1157	WW01A00456	TORNILLO #10