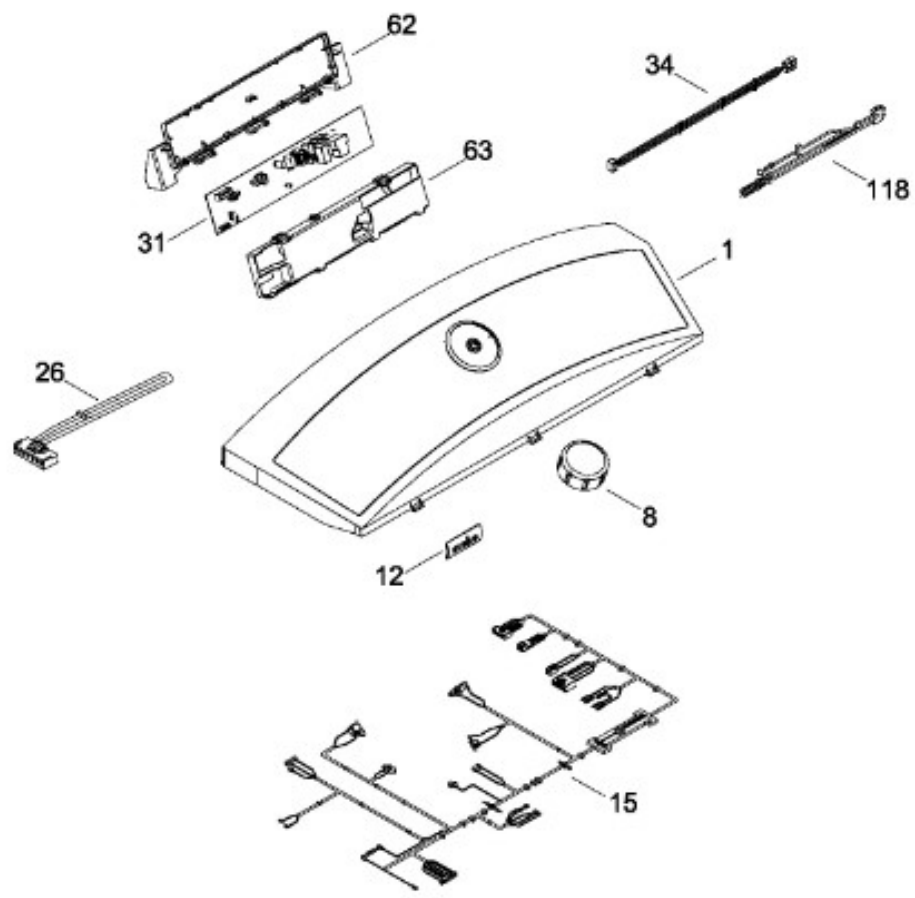




SECADORA SMV719XPBB00

SISTEMA CONTROLES

SMV719XPBB00



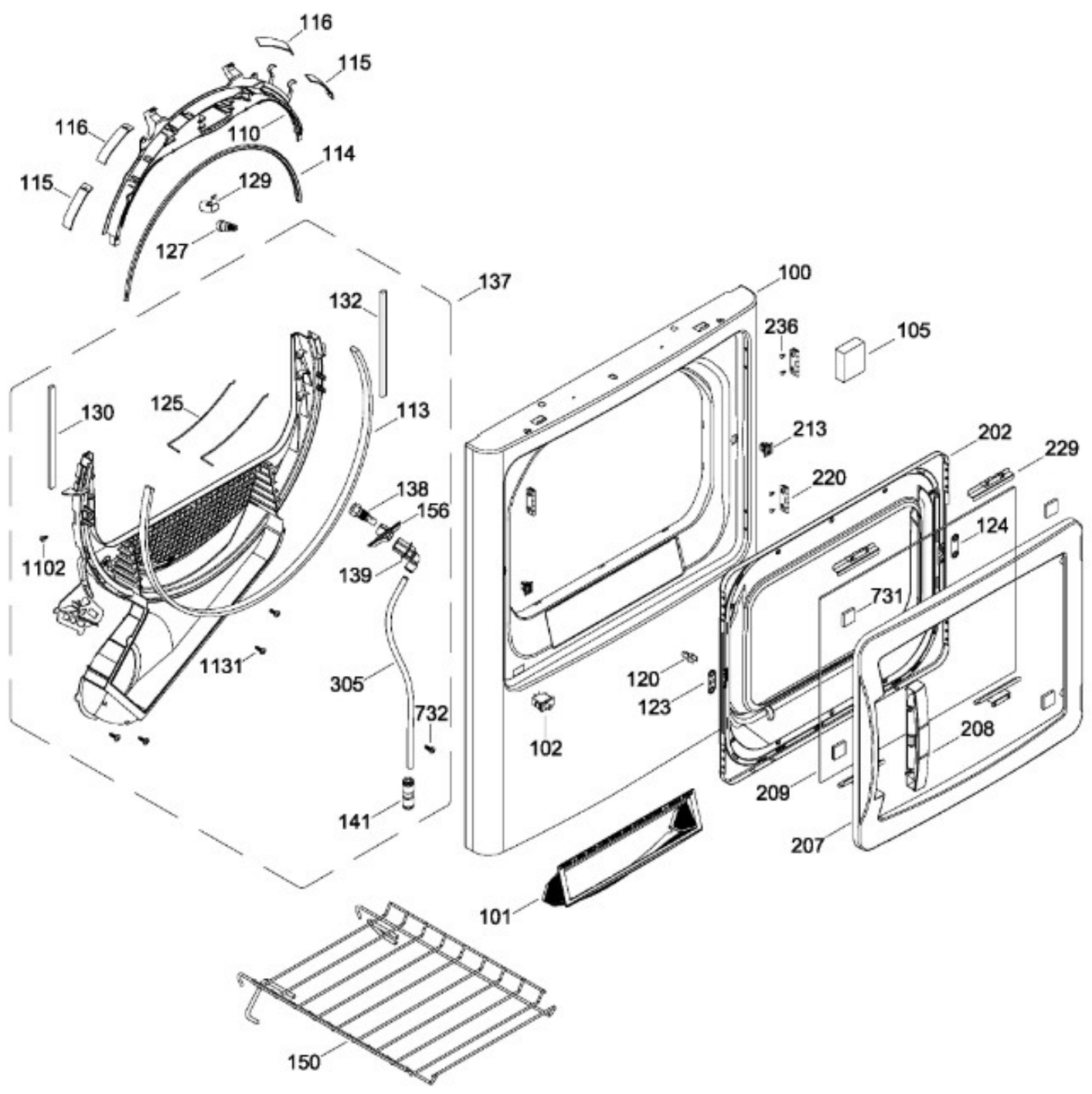
BENITO JUÁREZ #1500 GPE ZITON, CD. GUADALUPE NUEVO LEÓN TEL: 8183377999 Y 49
 HORARIOS: LUNES A VIERNES 8:30 A 6:00 PM Y SÁBADOS DE 8:30 A 2:00 PM
 WEB: www.denek.com



SECADORA SMV719XPBB00

PUERTA (ENS)

SMV719XPBB00



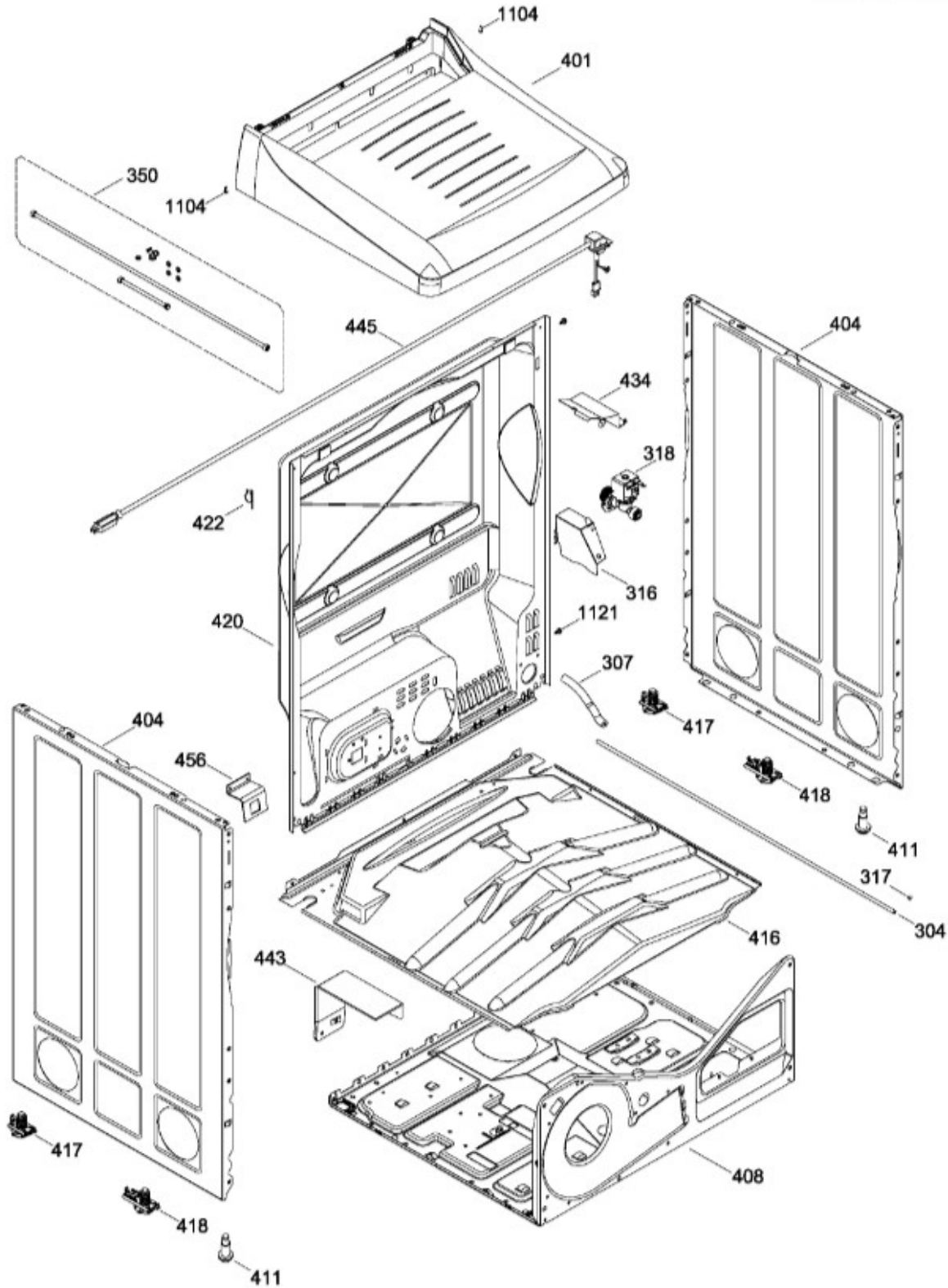
BENITO JUÁREZ #1500 GPE ZITON, CD. GUADALUPE NUEVO LEÓN TEL: 8183377999 Y 49
 HORARIOS: LUNES A VIERNES 8:30 A 6:00 PM Y SÁBADOS DE 8:30 A 2:00 PM
 WEB: www.denek.com



SECADORA SMV719XPBB00

GABINETE

SMV719XPBB00



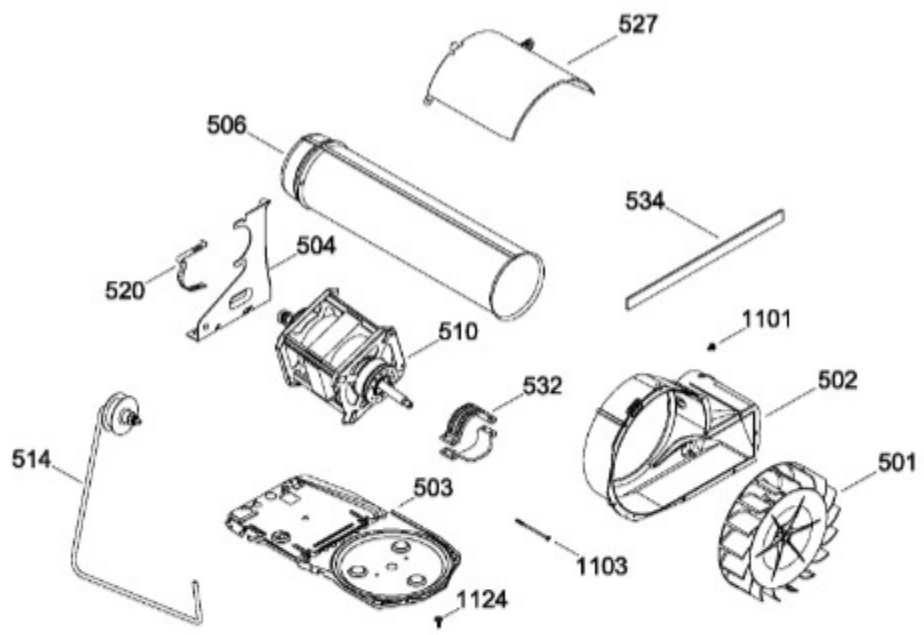
BENITO JUÁREZ #1500 GPE ZITON, CD. GUADALUPE NUEVO LEÓN TEL: 8183377999 Y 49
HORARIOS: LUNES A VIERNES 8:30 A 6:00 PM Y SÁBADOS DE 8:30 A 2:00 PM
WEB: www.denek.com



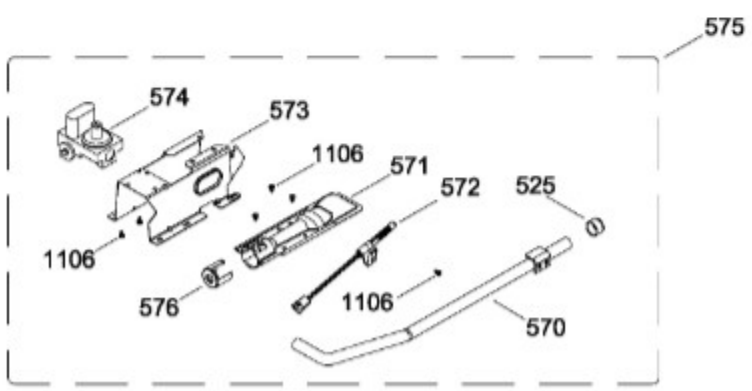
SECADORA SMV719XPBB00

SISTEMA DE TRANSMISION / BLOWER & DRIVE ASSEMBLY

SMV719XPBB00



QUEMADOR / BURNER



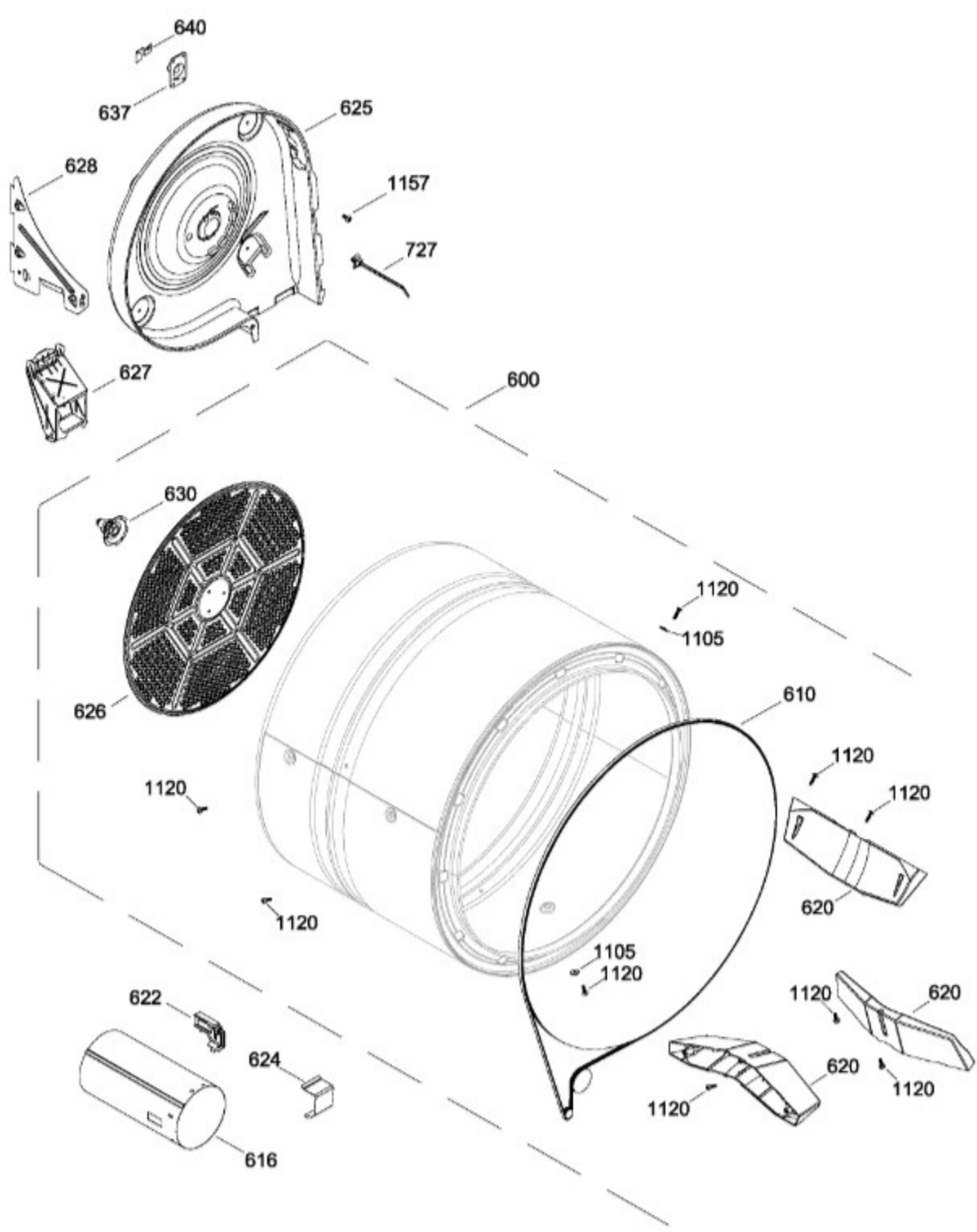
BENITO JUÁREZ #1500 GPE ZITON, CD. GUADALUPE NUEVO LEÓN TEL: 8183377999 Y 49
HORARIOS: LUNES A VIERNES 8:30 A 6:00 PM Y SÁBADOS DE 8:30 A 2:00 PM
WEB: www.denek.com



SECADORA SMV719XPBB00

TAMBOR

SMV719XPBB00



BENITO JUÁREZ #1500 GPE ZITON, CD. GUADALUPE NUEVO LEÓN TEL: 8183377999 Y 49
 HORARIOS: LUNES A VIERNES 8:30 A 6:00 PM Y SÁBADOS DE 8:30 A 2:00 PM
 WEB: www.denek.com

Guía	Refacción	Descripción
1	WW03L00115	COPETE IML ENS
8	WW01L01126	PERILLA CENTRAL
12	WW03A00080	LOGO MABE
15	WW03F00142	ARNES GAS ENS
26	WW03F00129	ARNES PUENTE
31	WW03F00130	TARJETA CONTROL
34	WW01F01135	ARNES SERIAL
62	WW03L00105	TAPA BASE TARJETA
63	WW03L00106	TAPA PROTECTOR TARJETA
100	WW02L00049	PANEL FRONTAL
101	WW02F00190	FILTRO ATRAPAPELUSA
101	WW02F00615	FILTRO ATRAPAPELUSA
102	WW02L00025	INTERRUPTOR PUERTA
105	WW02L00210	SEPARADOR PUERTA
110	WW02L00199	COJINETE SUP.
110	WW01L01430	COJINETE SUP.
113	WW02L00138	FELPA DUCTO RECOLECTOR
114	WW02L00145	SELLO PUERTA
115	WW02A00033	BEARING_SLIDE
116	WW02L00038	BEARING_SLIDE
118	WW02F00094	ARNES SENS.OR
120	WW02A00004	STRIKE
123	WW02A00056	STRIKE PLATE
124	WW02A00057	STRIKE PLATE
125	WW02F00088	SENSOR ROD
127	WW02A00067	LAMP
127	WW03F00458	LAMP
129	WW01F01584	ENS. CLAVIJA
130	WW02L00042	SELLO
132	WW02L00039	SELLO
132	WW03F00354	SELLO
137	WW03L00107	DUCTO TRAMPA CON SENSORES
137	WW02F00594	DUCTO TRAMPA CON SENSORES
138	WW02A00092	BOQUILLA
139	WW02F00121	CODO

Guía	Refacción	Descripción
141	WW02F00122	CONEXION DE SERVICIO
150	WW02L00190	PARRILLA PARA ZAPATOS
156	WW03A00091	SOPORTE BOQUILLA
202	WW02L00052	INNER DOOR
207	WW02F00032	ANILLO EXT.
208	WW02L00055	JALADERA
209	WW03L00108	VIDRIO PUERTA
213	WW02L00037	LATCH ASM.
220	WW02L00029	BISAGRA
220	WW02L00028	BISAGRA
229	WW02L00101	SOPORTE VIDRIO
236	WW02A00065	BOTON BELLEZA
304	WW03F00131	TUBO
305	WW03F00132	TUBO FRONTAL
307	WW03F00133	AISLANTE
316	WW03L00109	CUBIERTA VALVULA DE AGUA
317	WW03F00134	TAPON VALVULA DE AGUA
318	WW03F00135	VALVULA DE AGUA ENS
318	WW02F00182	VALVULA DE AGUA ENS
350	WW02A00088	KIT MANGUERAS EXTERNAS
401	WW02A00043	CUBIERTA PLASTICA
401	WW02A00043	CUBIERTA PLASTICA
404	WW02L00149	PANEL LATERAL
408	WW02F00076	BASTIDOR
411	WW02L00142	PATA ESTABILIZADORA ENS.
416	WW02A00045	DEFLECTOR
417	WW02A00059	ENS. SOPORTE POST.
418	WW02L00108	ENS. SOPORTE FRONT.
420	WW02L00146	PANEL POST.
422	WW02F00022	CORD SET RETAINER
434	WW03L00110	CUBIERTA TERMOSTATO
443	WW03L00111	CUBIERTA VALVULA DE GAS
445	WW02F00086	POWER CORD
445	WW02F00091	POWER CORD
456	WW02A00037	BRIDE

Guía	Refacción	Descripción
501	WW01F01162	VENTILADOR REDONDO
501	WW02A00011	VENTILADOR REDONDO
502	WW02F00109	BLOWER HOUSING
502	WW03L00150	BLOWER HOUSING
503	WW01L01163	BASE MOTOR
503	WW01L01163	BASE MOTOR
503	WW02L00642	BASE MOTOR
504	WW02F00027	SOPORTE MOTOR
506	WW02L00148	CONDUCTO DE ESCAPE
506	WW02L00148	CONDUCTO DE ESCAPE
510	WW02F00015	MOTOR POLEA ENS.
510	WW03A00209	MOTOR POLEA ENS.
514	WW02A00008	ENS. BRAZO AUXILIAR
514	WW03F00350	ENS. BRAZO AUXILIAR
520	WW02F00031	CLIP MOTOR
525	WW02A00003	TAPA
527	WW03L00112	CUBIERTA MOTOR
532	WW02F00003	CORREA MOTOR
532	WW02A00232	CORREA MOTOR
534	WW02A00026	EMPAQUE ESCAPE SOPLADOR
534	WW02F00785	EMPAQUE ESCAPE SOPLADOR
570	WW03F00137	ENSAMBLE TUBERIA DE GAS
571	WW02A00020	QUEMADORES
572	WW02F00002	ALLUME-GAZ
572	WW02F00740	ALLUME-GAZ
573	WW02F00077	GAS VALVE BRACKET
573	WW03A00125	GAS VALVE BRACKET
574	WW02F00095	VALVUAL DE GAS ENS.
575	WW02F00080	VALVULA Y QUEMADOR ENS
576	WW02L00140	AIRADOR
600	WW02F00057	ENS. TAMBOR
610	WW02F00028	BANDA SECADORA
610	WW02F00854	BANDA SECADORA
616	WW02F00825	CAMARA DE COMBUSTION
620	WW02L00143	BAFFLE

Guía	Refacción	Descripción
622	WW02F00001	DETECTOR TERMOSTATO
624	WW03L00113	CUBIERTA DETECTOR DE FLAMA
625	WW03F00095	DIFUSOR DE GAS
625	WW02F00824	DIFUSOR DE GAS
626	WW02F00827	DIFUSOR
627	WW02F00127	DUCTO DE TRANSICION
627	WW03F00539	DUCTO DE TRANSICION
628	WW03F00097	PLATO DIFUSOR
630	WW02A00019	ENS. SOPORTE BUJE
637	WW02A00005	RETENEDOR RODAMIENTO
640	WW02F00833	SOPORTE TIERRA ENS
727	WW02A00061	TIE WRAP ARNESS
727	WW02F00402	TIE WRAP ARNESS
731	WW02A00120	CALZA
732	WW03A00092	TORNILLO 6-16 B B1Q1 3/4
1101	WW02A00030	TORNILLO
1101	WW02A00211	TORNILLO
1102	WW02A00029	TORNILLO
1102	WW02A00211	TORNILLO
1103	WW02A00032	TORNILLO
1104	WW01A00097	TORNILLO 8-18 X 7/16 AB FENIX
1105	WW02A00002	ARANDELA
1106	WW02A00027	SCREW
1120	WW02A00031	TORNILLO
1121	WW01A00001	TORNILLO
1124	WW02A00070	TORNILLO
1131	WW02A00028	TORNILLO
1157	WW01A00456	TORNILLO #10