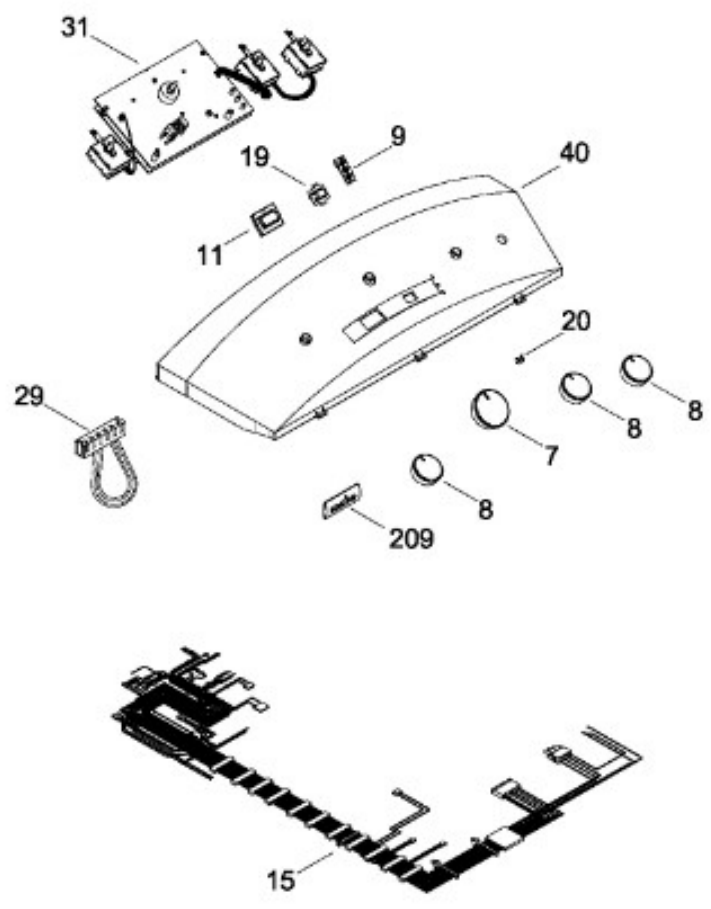




# SECADORA SMV747NXPGG00

SISTEMA CONTROLES

SMV747NXPBB00  
SMV747NXPGG00



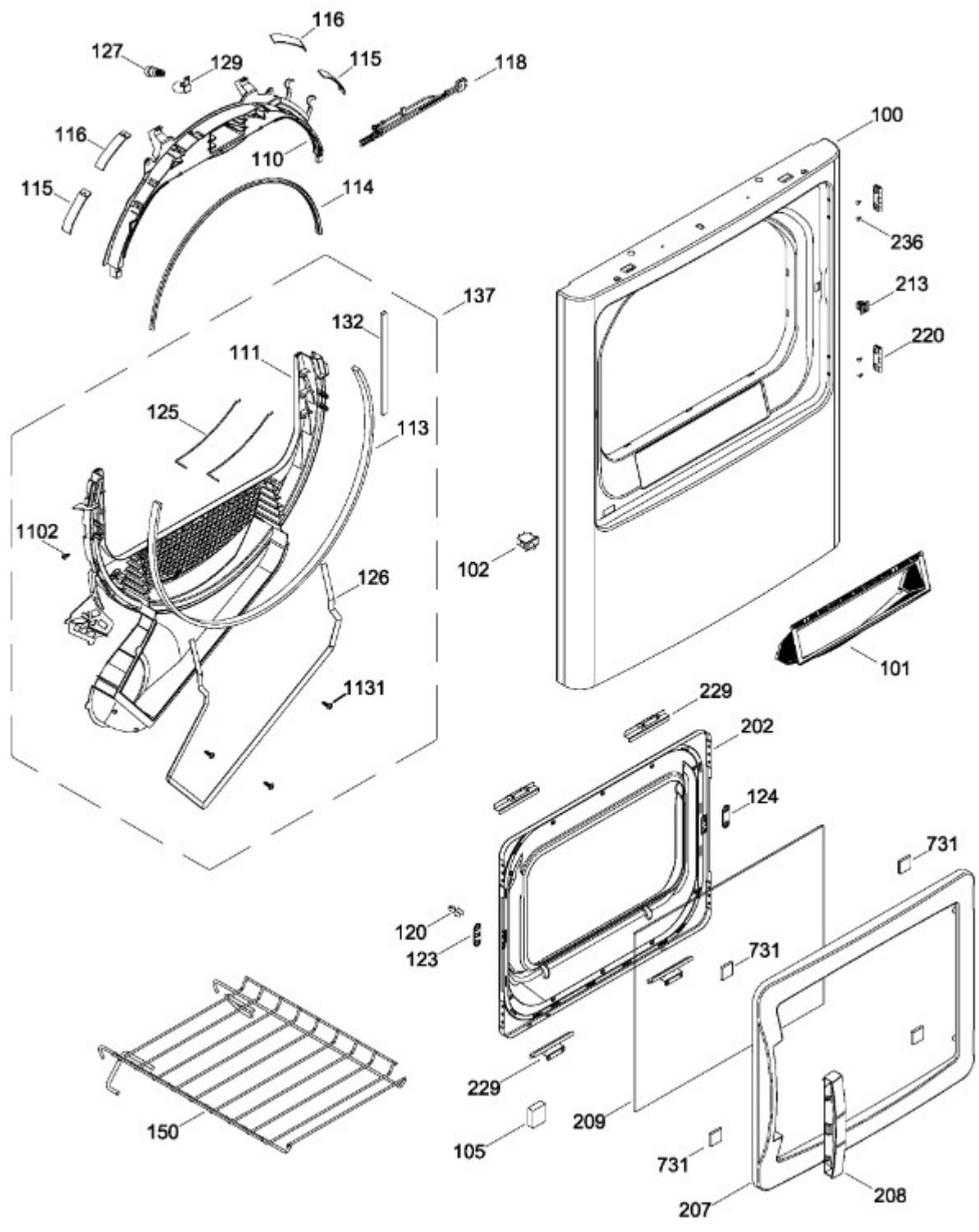
BENITO JUÁREZ #1500 GPE ZITON, CD. GUADALUPE NUEVO LEÓN TEL: 8183377999 Y 49  
 HORARIOS: LUNES A VIERNES 8:30 A 6:00 PM Y SÁBADOS DE 8:30 A 2:00 PM  
 WEB: [www.denek.com](http://www.denek.com)



# SECADORA SMV747NXPGG00

PUERTA (ENS)

SMV747NXPBB00  
SMV747NXPGG00



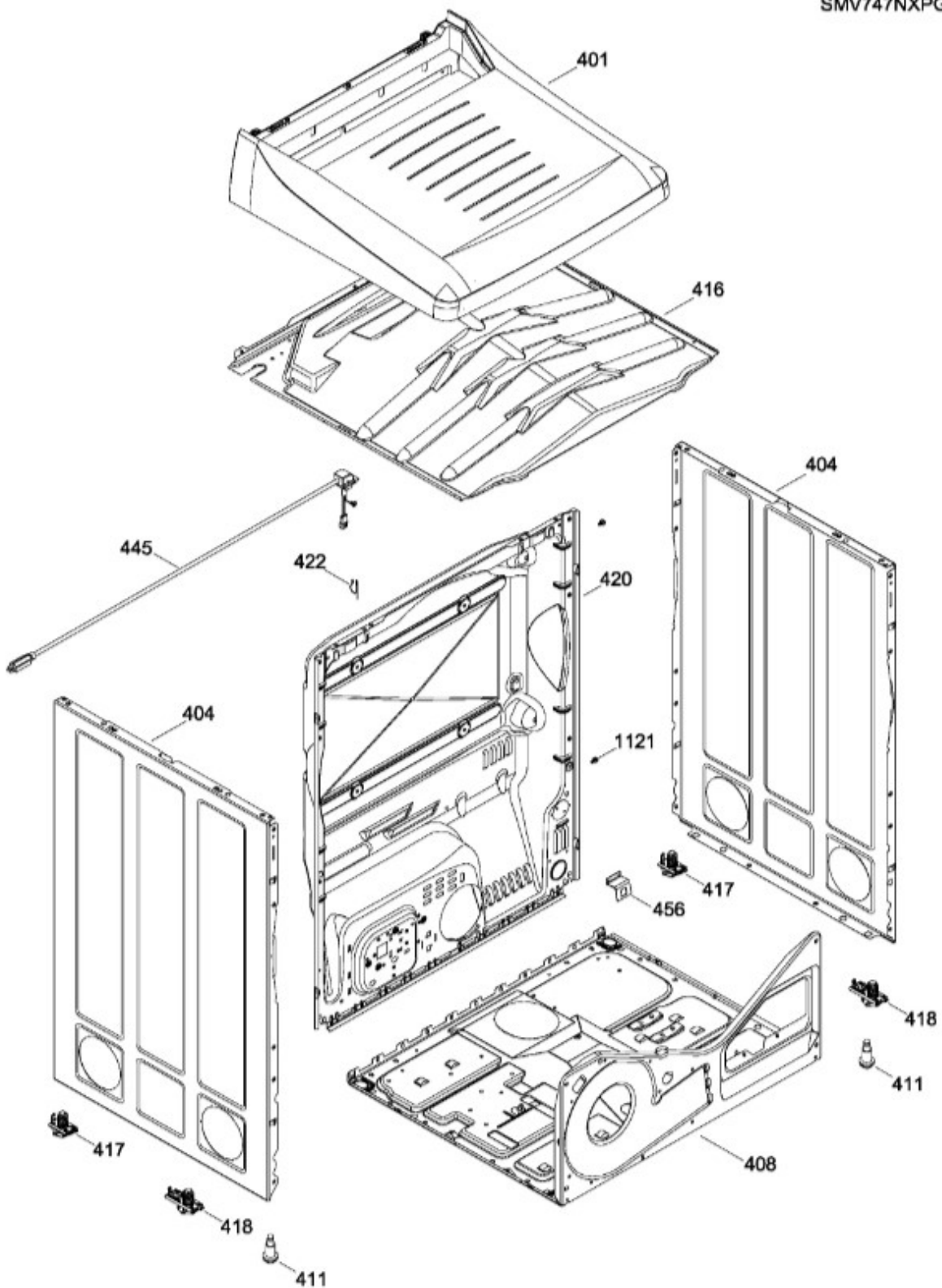
BENITO JUÁREZ #1500 GPE ZITON, CD. GUADALUPE NUEVO LEÓN TEL: 8183377999 Y 49  
 HORARIOS: LUNES A VIERNES 8:30 A 6:00 PM Y SÁBADOS DE 8:30 A 2:00 PM  
 WEB: [www.denek.com](http://www.denek.com)



# SECADORA SMV747NXPGG00

GABINETE

SMV747NXPBB00  
SMV747NXPGG00



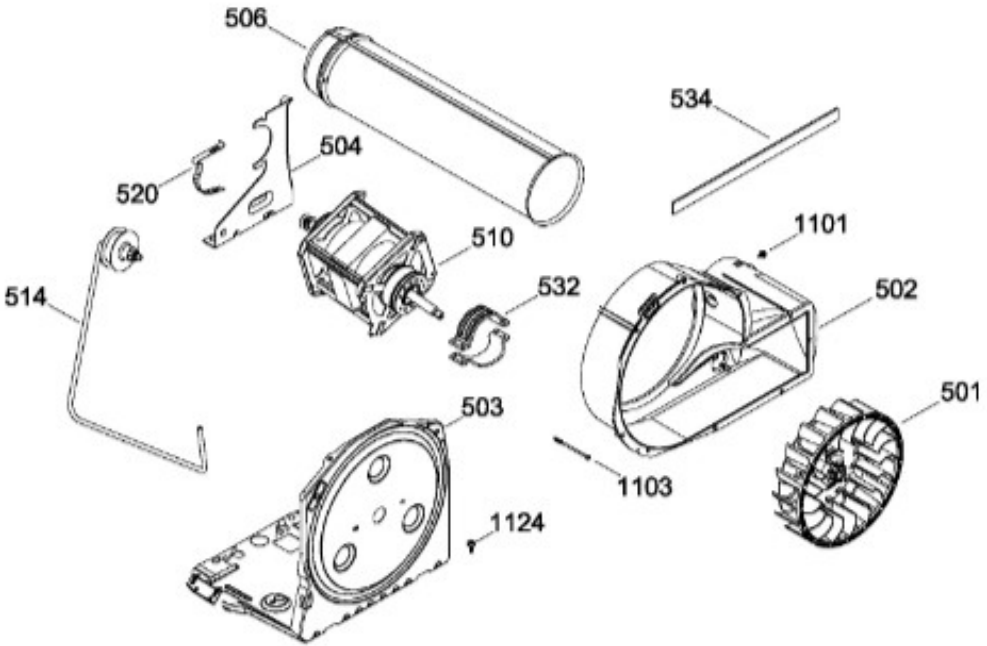
BENITO JUÁREZ #1500 GPE ZITON, CD. GUADALUPE NUEVO LEÓN TEL: 8183377999 Y 49  
 HORARIOS: LUNES A VIERNES 8:30 A 6:00 PM Y SÁBADOS DE 8:30 A 2:00 PM  
 WEB: [www.denek.com](http://www.denek.com)



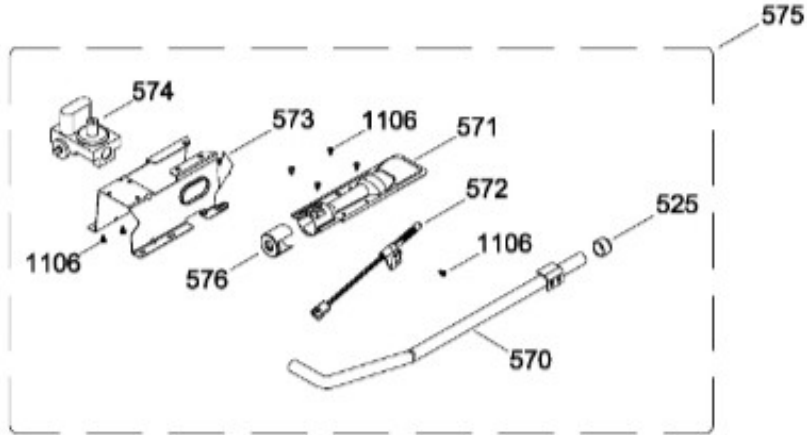
# SECADORA SMV747NXPGG00

SISTEMA DE TRANSMISION

SMV747NXPBB00  
SMV747NXPGG00



QUEMADOR / BURNER



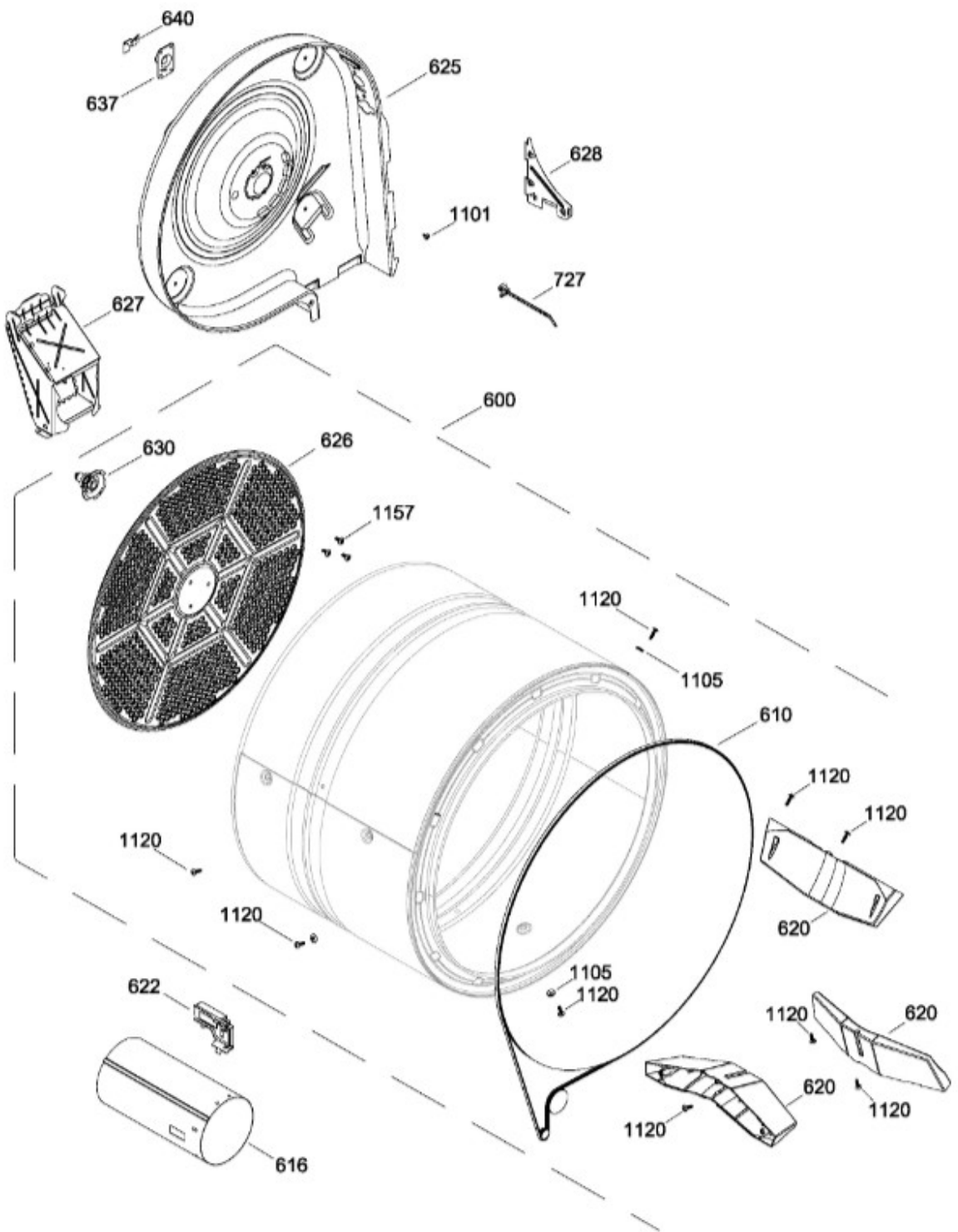
BENITO JUÁREZ #1500 GPE ZITON, CD. GUADALUPE NUEVO LEÓN TEL: 8183377999 Y 49  
 HORARIOS: LUNES A VIERNES 8:30 A 6:00 PM Y SÁBADOS DE 8:30 A 2:00 PM  
 WEB: [www.denek.com](http://www.denek.com)



# SECADORA SMV747NXPGG00

TAMBOR

SMV747NXPBB00  
SMV747NXPGG00



BENITO JUÁREZ #1500 GPE ZITON, CD. GUADALUPE NUEVO LEÓN TEL: 8183377999 Y 49  
 HORARIOS: LUNES A VIERNES 8:30 A 6:00 PM Y SÁBADOS DE 8:30 A 2:00 PM  
 WEB: [www.denek.com](http://www.denek.com)

Guía	Refacción	Descripción
7	WW01L01302	PERILLA CONTROL
8	WW01L01303	PERILLA ROTATORIA
9	WW02A00063	GUIA LUZ
11	WW02F00087	CUBIERTA DISPLAY
15	WW02F00043	ENS. ARNES
19	WW02A00064	BOTON INICIO
20	WW02L00137	BUJE PARA PEILLA
29	WW02A00042	JUMPER GAS
31	WW02F00034	ENS. TARJETA CIRCUITO IMPRESO
40	WW01L01304	COPETE Y GRAFICOS ENS
40	WW02L00070	COPETE Y GRAFICOS ENS
100	WW03L00098	PANEL FRONTAL PUERTA(GRAFITO)
100	WW03L00098	PANEL FRONTAL PUERTA(GRAFITO)
101	WW02F00190	FILTRO ATRAPAPELUSA
101	WW02F00615	FILTRO ATRAPAPELUSA
102	WW02L00025	INTERRUPTOR PUERTA
105	WW02L00210	SEPARADOR PUERTA
110	WW02L00199	COJINETE SUP.
110	WW01L01430	COJINETE SUP.
113	WW02L00138	FELPA DUCTO RECOLECTOR
114	WW02L00145	SELLO PUERTA
115	WW02A00033	BEARING_SLIDE
116	WW02L00038	BEARING_SLIDE
118	WW02F00094	ARNES SENS.OR
120	WW02A00004	STRIKE
123	WW02A00056	STRIKE PLATE
124	WW02A00057	STRIKE PLATE
125	WW02F00088	SENSOR ROD
126	WW02L00040	GASKET FOAM
127	WW02A00067	LAMP
127	WW03F00458	LAMP
129	WW02L00104	ENS. CLAVIJA
129	WW01F01584	ENS. CLAVIJA
132	WW02L00039	SELLO
132	WW03F00354	SELLO

Guía	Refacción	Descripción
137	WW03L00116	COLECTOR DE AIRE ENS
137	WW02F00597	COLECTOR DE AIRE ENS
150	WW02L00190	PARRILLA PARA ZAPATOS
202	WW02L00054	INNER DOOR
207	WW02F00033	ANILLO EXT.
207	WW01L01492	ANILLO EXT.
208	WW02L00057	JALADERA
208	WW01L01494	JALADERA
209	WW03L00108	VIDRIO PUERTA
213	WW02L00037	LATCH ASM.
220	WW02L00029	BISAGRA
220	WW02L00028	BISAGRA
229	WW02L00101	SOPORTE VIDRIO
236	WW02A00066	BOTON BELLEZA
401	WW02L00046	CUBIERTA PLASTICA
401	WW01L01491	CUBIERTA PLASTICA
404	WW03L00099	LATERAL(GRAFITO)
404	WW03L00099	LATERAL(GRAFITO)
408	WW02F00076	BASTIDOR
409	WW03A00080	LOGO MABE
411	WW02L00142	PATA ESTABILIZADORA ENS.
416	WW02A00045	DEFLECTOR
417	WW02A00059	ENS. SOPORTE POST.
418	WW02L00108	ENS. SOPORTE FRONT.
420	WW03L00095	PANEL POSTERIOR
422	WW02F00022	CORD SET RETAINER
445	WW02F00086	POWER CORD
445	WW02F00091	POWER CORD
456	WW02A00037	BRIDE
501	WW01F01162	VENTILADOR REDONDO
501	WW02A00011	VENTILADOR REDONDO
502	WW02F00109	BLOWER HOUSING
502	WW03L00150	BLOWER HOUSING
503	WW01L01163	BASE MOTOR
503	WW01L01163	BASE MOTOR

Guía	Refacción	Descripción
503	WW02L00642	BASE MOTOR
504	WW02F00027	SOPORTE MOTOR
506	WW02L00148	CONDUCTO DE ESCAPE
506	WW02L00148	CONDUCTO DE ESCAPE
510	WW02F00015	MOTOR POLEA ENS.
510	WW03A00209	MOTOR POLEA ENS.
514	WW02A00008	ENS. BRAZO AUXILIAR
514	WW03F00350	ENS. BRAZO AUXILIAR
520	WW02F00031	CLIP MOTOR
525	WW02A00003	TAPA
532	WW02F00003	CORREA MOTOR
532	WW02A00232	CORREA MOTOR
534	WW02A00026	EMPAQUE ESCAPE SOPLADOR
534	WW02F00785	EMPAQUE ESCAPE SOPLADOR
570	WW03F00137	ENSAMBLE TUBERIA DE GAS
571	WW02A00020	QUEMADORES
572	WW02F00002	ALLUME-GAZ
572	WW02F00740	ALLUME-GAZ
573	WW02F00077	GAS VALVE BRACKET
573	WW03A00125	GAS VALVE BRACKET
574	WW02F00095	VALVUAL DE GAS ENS.
575	WW02F00080	VALVULA Y QUEMADOR ENS
576	WW02L00140	AIRADOR
600	WW02F00057	ENS. TAMBOR
610	WW02F00028	BANDA SECADORA
610	WW02F00854	BANDA SECADORA
616	WW02F00825	CAMARA DE COMBUSTION
620	WW02L00143	BAFFLE
622	WW02F00001	DETECTOR TERMOSTATO
625	WW03F00095	DIFUSOR DE GAS
625	WW02F00824	DIFUSOR DE GAS
626	WW02F00827	DIFUSOR
627	WW02F00127	DUCTO DE TRANSICION
627	WW03F00539	DUCTO DE TRANSICION
628	WW03F00097	PLATO DIFUSOR



Guía	Refacción	Descripción
630	WW02A00019	ENS. SOPORTE BUJE
637	WW02A00005	RETENEDOR RODAMIENTO
640	WW02F00833	SOPORTE TIERRA ENS
727	WW02A00061	TIE WRAP ARNESS
727	WW02F00402	TIE WRAP ARNESS
731	WW02A00120	CALZA
1101	WW02A00030	TORNILLO
1101	WW02A00211	TORNILLO
1102	WW02A00029	TORNILLO
1102	WW02A00211	TORNILLO
1103	WW02A00032	TORNILLO
1105	WW02A00002	ARANDELA
1106	WW02A00027	SCREW
1120	WW02A00031	TORNILLO
1121	WW01A00001	TORNILLO
1124	WW02A00070	TORNILLO
1131	WW02A00028	TORNILLO
1157	WW01A00456	TORNILLO #10