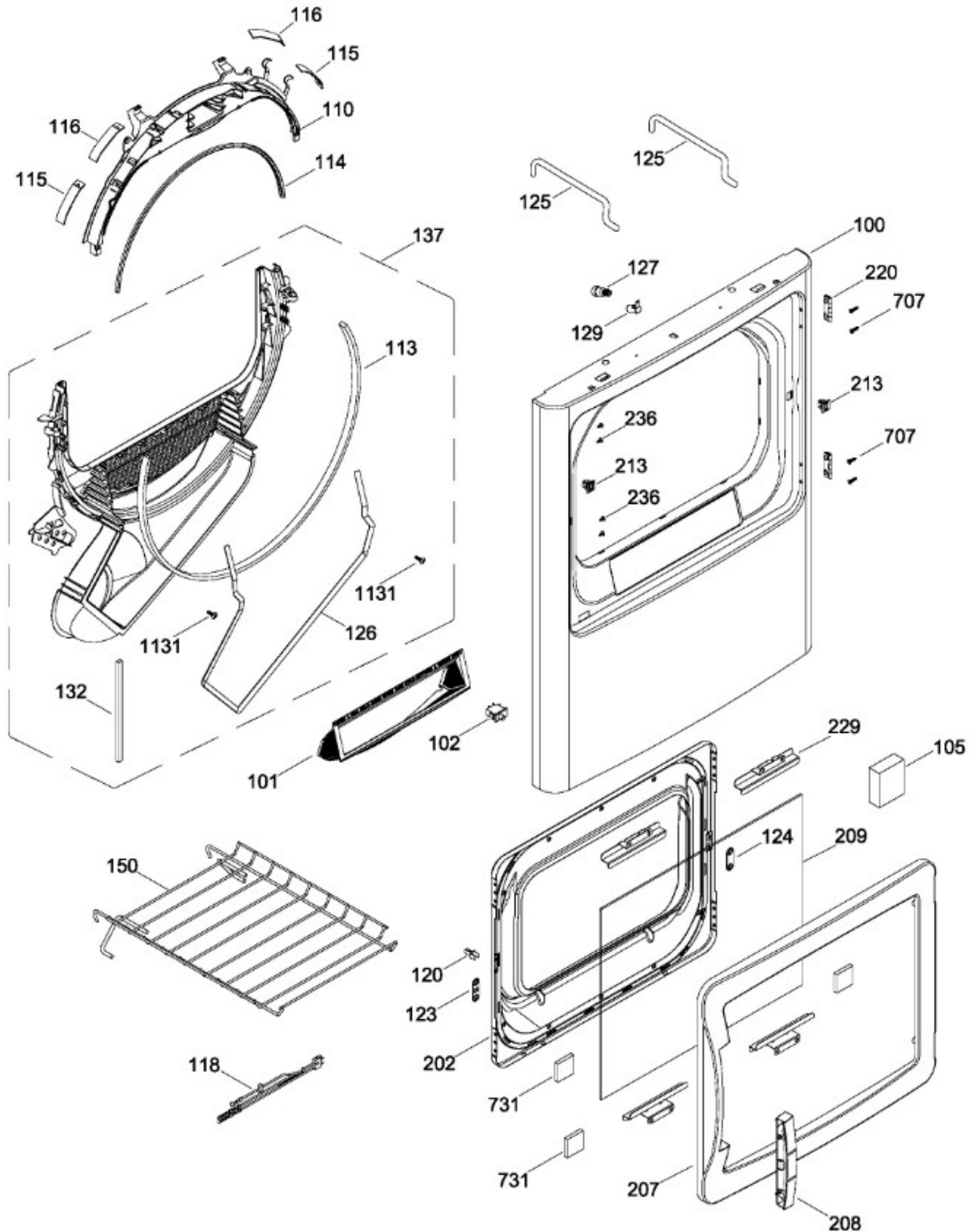


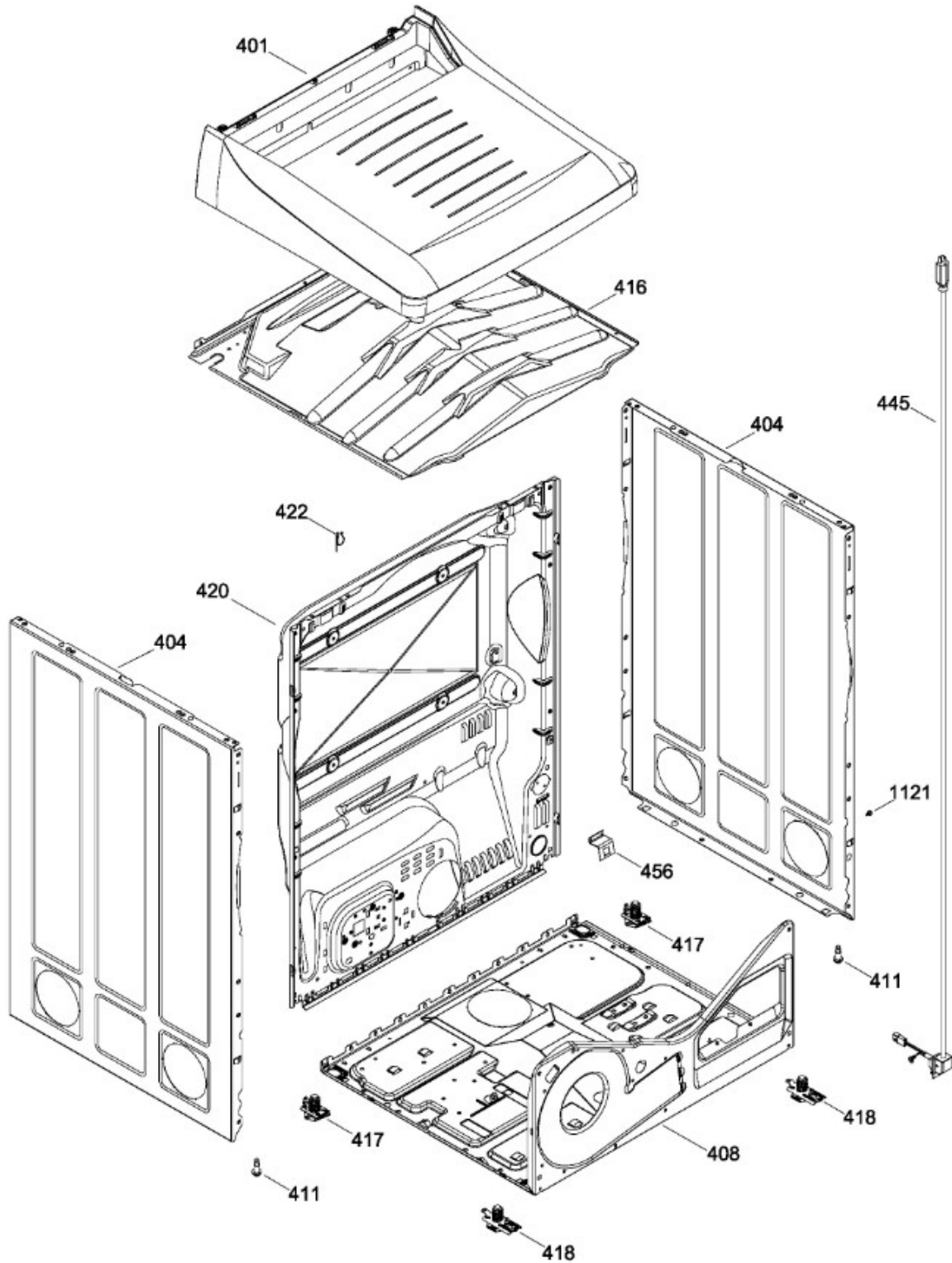
PUERTA (ENS) / DOOR (ASM)

SMV747NXPBB01  
SMV747NXPGG01



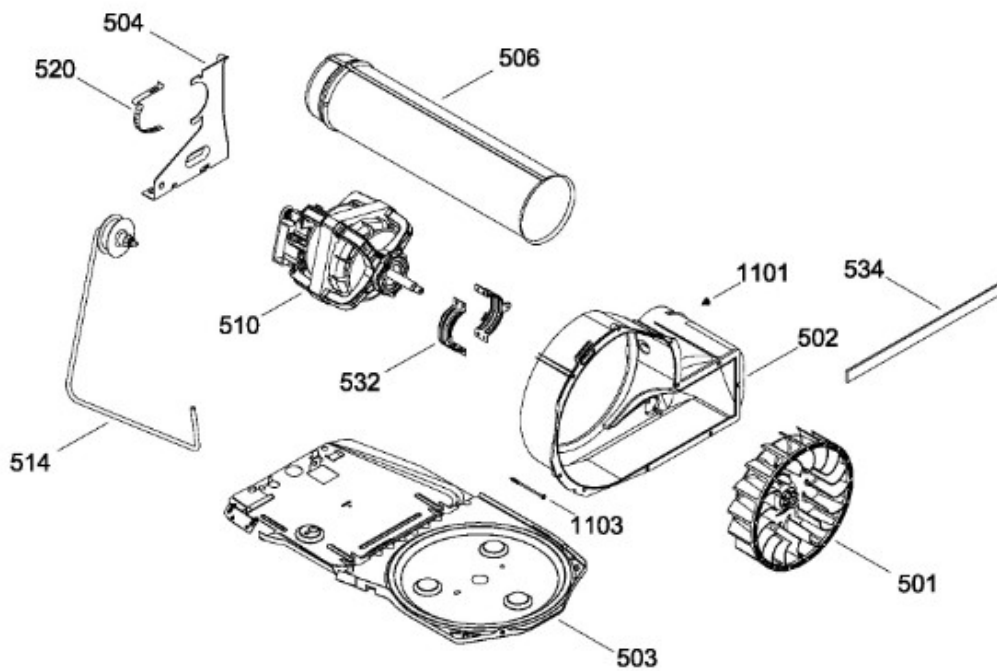
GABINETE / STRUCTURE

SMV747NXPBB01  
SMV747NXPGG01

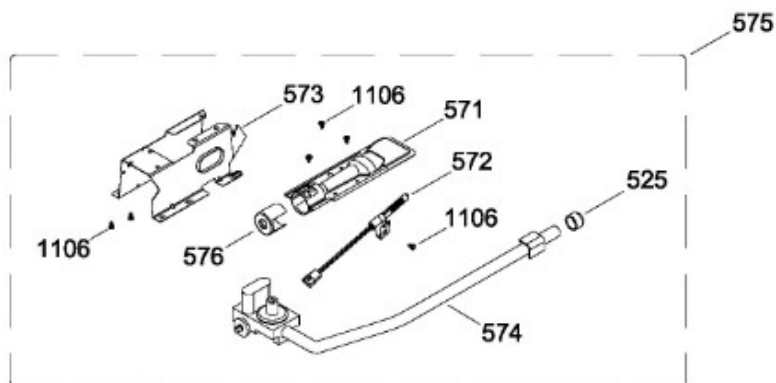


SISTEMA DE TRANSMISION / BLOWER & DRIVE ASSEMBLY

SMV747NXPBB01  
SMV747NXPGG01

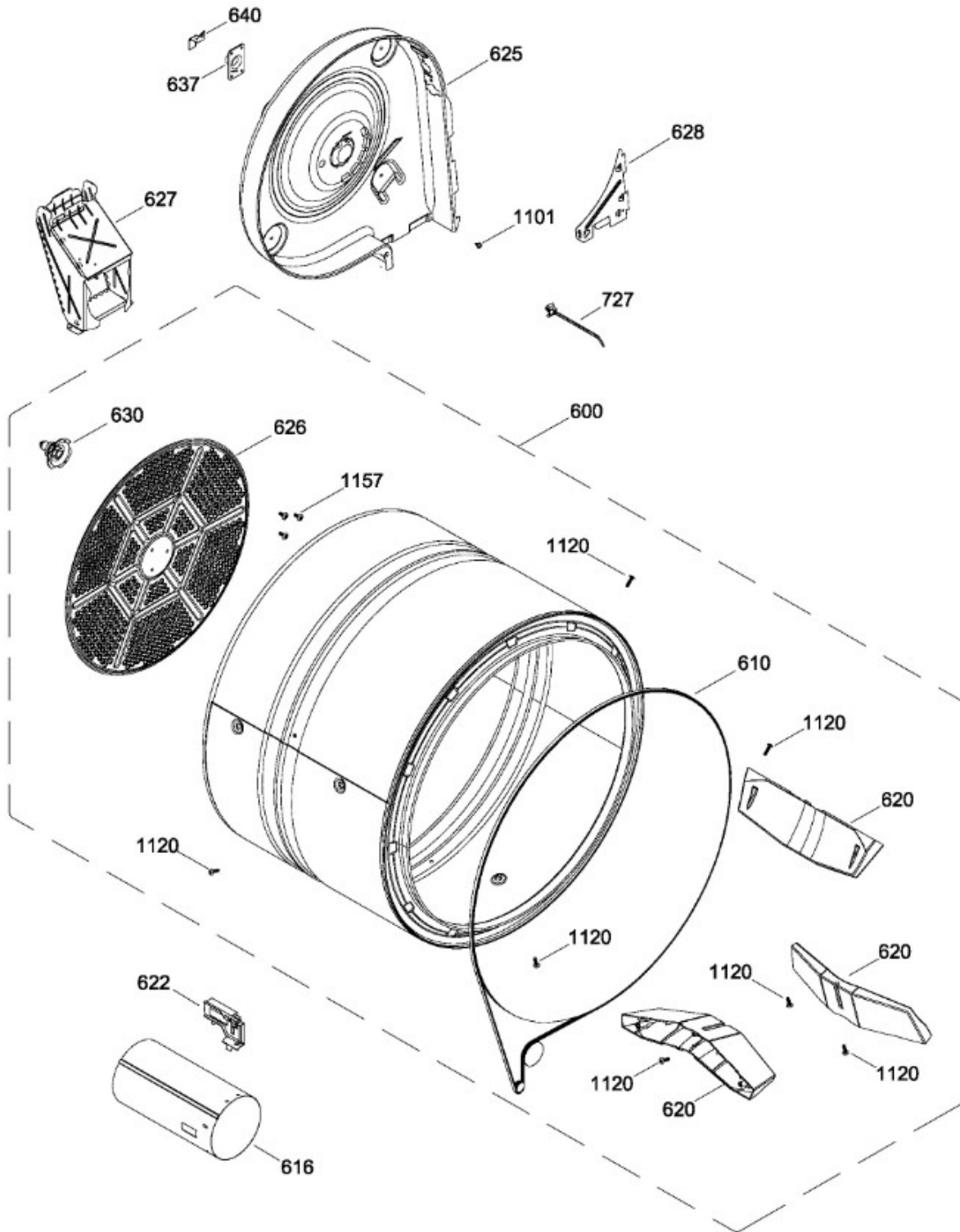


QUEMADOR / BURNER



TAMBOR (ENS) / DRUM (ASM)

SMV747NXPBB01  
SMV747NXPGG01



Guía	Refacción	Descripción
7	WW01L01302	PERILLA CONTROL
8	WW01L01303	PERILLA ROTATORIA
9	WW02A00063	GUIA LUZ
11	WW02F00087	CUBIERTA DISPLAY
15	WW02F00450	ARNES PRINCIPAL ENS
19	WW02A00064	BOTON INICIO
20	WW02L00137	BUJE PARA PEILLA
29	WW02A00042	JUMPER GAS
31	WW02F00034	ENS. TARJETA CIRCUITO IMPRESO
40	WW01L01304	COPETE Y GRAFICOS ENS
40	WW02L00070	COPETE Y GRAFICOS ENS
100	WW03L00098	PANEL FRONTAL PUERTA(GRAFITO)
101	WW02F00190	FILTRO ATRAPAPELUSA
101	WW02F00615	FILTRO ATRAPAPELUSA
101	WW02F00616	FILTRO
102	WW02L00025	INTERRUPTOR PUERTA
105	WW02L00210	SEPARADOR PUERTA
110	WW02L00199	COJINETE SUP.
110	WW01L01430	COJINETE SUP.
113	WW01L01329	FELPA COLECTOR DE AIRE
113	WW02F00783	FELPA COLECTOR DE AIRE
113	WW02F00783	FELPA DUCTO RECOLECTOR
114	WW02L00145	SELLO PUERTA
115	WW02A00033	BEARING_SLIDE
116	WW02L00038	BEARING_SLIDE
118	WW02F00094	ARNES SENS.OR
120	WW02A00004	STRIKE
123	WW02A00056	STRIKE PLATE
124	WW02A00057	STRIKE PLATE
125	WW02F00088	SENSOR ROD
126	WW02L00040	GASKET FOAM
127	WW02A00067	LAMP
127	WW03F00458	LAMP
127	WW03F00458	LAMPARA
129	WW02L00104	ENS. CLAVIJA
129	WW01F01584	ENS. CLAVIJA
132	WW02L00039	SELLO
132	WW03F00354	SELLO

Guía	Refacción	Descripción
137	WW03L00116	COLECTOR DE AIRE ENS
137	WW02F00597	COLECTOR DE AIRE ENS
150	WW02L00190	PARRILLA PARA ZAPATOS
202	WW02L00054	PUERTA INTERIOR
202	WW02L00054	PUERTA INTERIOR
207	WW02F00033	ANILLO EXT.
207	WW01L01492	ANILLO EXT.
208	WW02L00057	JALADERA
208	WW01L01494	JALADERA
209	WW03L00108	VIDRIO PUERTA
213	WW02L00037	LATCH ASM.
220	WW02L00029	BISAGRA
220	WW02L00028	BISAGRA
229	WW02L00101	SOPORTE VIDRIO
229	WW02L00101	SOPORTE VIDRIO
236	WW02A00066	BOTON BELLEZA
401	WW02L00046	CUBIERTA PLASTICA
401	WW01L01491	CUBIERTA PLASTICA
404	WW03L00099	LATERAL(GRAFITO)
408	WW02F00076	BASTIDOR BASE
409	WW03A00080	LOGO MABE
411	WW02L00142	PATA ESTABILIZADORA ENS.
416	WW02A00045	DELFECTOR DE CALOR
416	WW02A00045	DELFECTOR DE CALOR
417	WW02A00059	ENS. SOPORTE POST.
418	WW02L00108	ENS. SOPORTE FRONT.
420	WW03L00095	PANEL POSTERIOR
422	WW02F00022	CORD SET RETAINER
445	WW02F00086	POWER CORD
445	WW02F00091	POWER CORD
456	WW02A00037	BRIDE
501	WW01F01162	VENTILADOR REDONDO
502	WW02F00109	BLOWER HOUSING
502	WW03L00150	BLOWER HOUSING
503	WW01L01163	BASE MOTOR
503	WW01L01163	BASE MOTOR
503	WW01L01163	BASE MOTOR
503	WW02L00642	BASE MOTOR

Guía	Refacción	Descripción
504	WW02F00027	SOPORTE MOTOR
506	572D559P006T	CONDUCTO DE ESCAPE
510	WW02F00456	ENS MOTOR Y POLEA
510	WW03F00447	ENS MOTOR Y POLEA
514	WW02A00008	ENS. BRAZO AUXILIAR
514	WW03F00350	ENS. BRAZO AUXILIAR
520	WW02F00031	CLIP MOTOR
525	WW02A00003	TAPA
532	WW02F00003	CORREA MOTOR
532	WW02A00232	CORREA MOTOR
534	WW02A00026	EMPAQUE ESCAPE SOPLADOR
534	WW02F00785	EMPAQUE ESCAPE SOPLADOR
571	WW02A00020	QUEMADORES
572	WW02F00002	ALLUME-GAZ
572	WW02F00740	ALLUME-GAZ
572	WW01F01432	ENCENDEDOR INCANDESCENTE
573	WW03A00125	SOPORTE VALVULA DE GAS
574	WW01F01529	VALVULA Y TUBO PARA GAS LP
575	WW02F00080	VALVULA Y QUEMADOR ENS
576	WW02L00140	AIRADOR
600	WW02F00057	ENS. TAMBOR
610	WW02F00028	BANDA SECADORA
610	WW02F00854	BANDA SECADORA
616	WW03F00138	CAMARA DE COMBUSTION
616	WW02F00825	CAMARA DE COMBUSTION
620	WW02L00143	BAFFLE
622	WW02F00001	DETECTOR TERMOSTATO
625	WW03F00095	DIFUSOR DE GAS
626	WW02F00221	DIFUSOR
626	WW02F00827	DIFUSOR
627	WW02F00127	DUCTO TRANSICION
627	WW02F00127	DUCTO TRANSICION
627	WW03F00539	DUCTO TRANSICION
628	WW03F00097	PLACA DIFUSOR
630	WW02A00019	SOPORTE Y FLECHA ENSAMBLE
637	WW02A00005	RETENEDOR RODAMIENTO
640	WW01A00443	GROUND STRAP ASSEMBLY
640	WW02F00833	GROUND STRAP ASSEMBLY



Guía	Refacción	Descripción
707	WW01A00539	TORNILLO
727	WW02A00061	TIE WRAP ARNESS
727	WW02F00402	TIE WRAP ARNESS
731	WW02A00120	CALZA
1101	WW02A00030	TORNILLO
1101	WW02A00211	TORNILLO
1103	WW02A00032	TORNILLO
1106	WW02A00027	SCREW
1120	WW02A00031	TORNILLO
1121	WW01A00001	TORNILLO
1131	WW02A00028	TORNILLO
1157	WW01A00456	TORNILLO #10