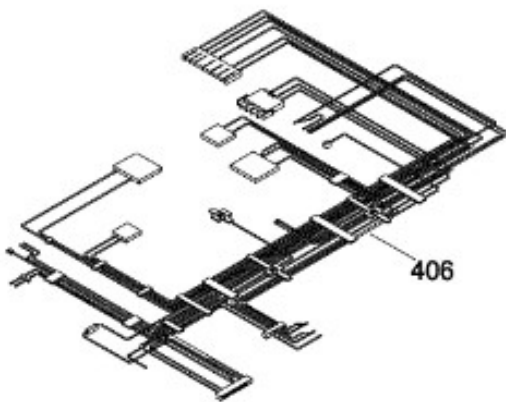
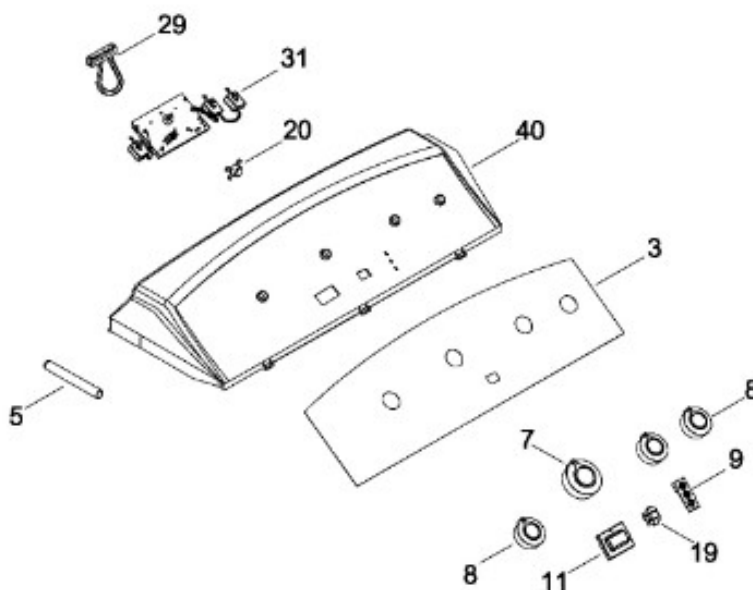




SECADORA SMV749NXEBB00

SISTEMA CONTROLES / CONTROL SYSTEM

SMV749NXEBB00
SMV749NXEGG00



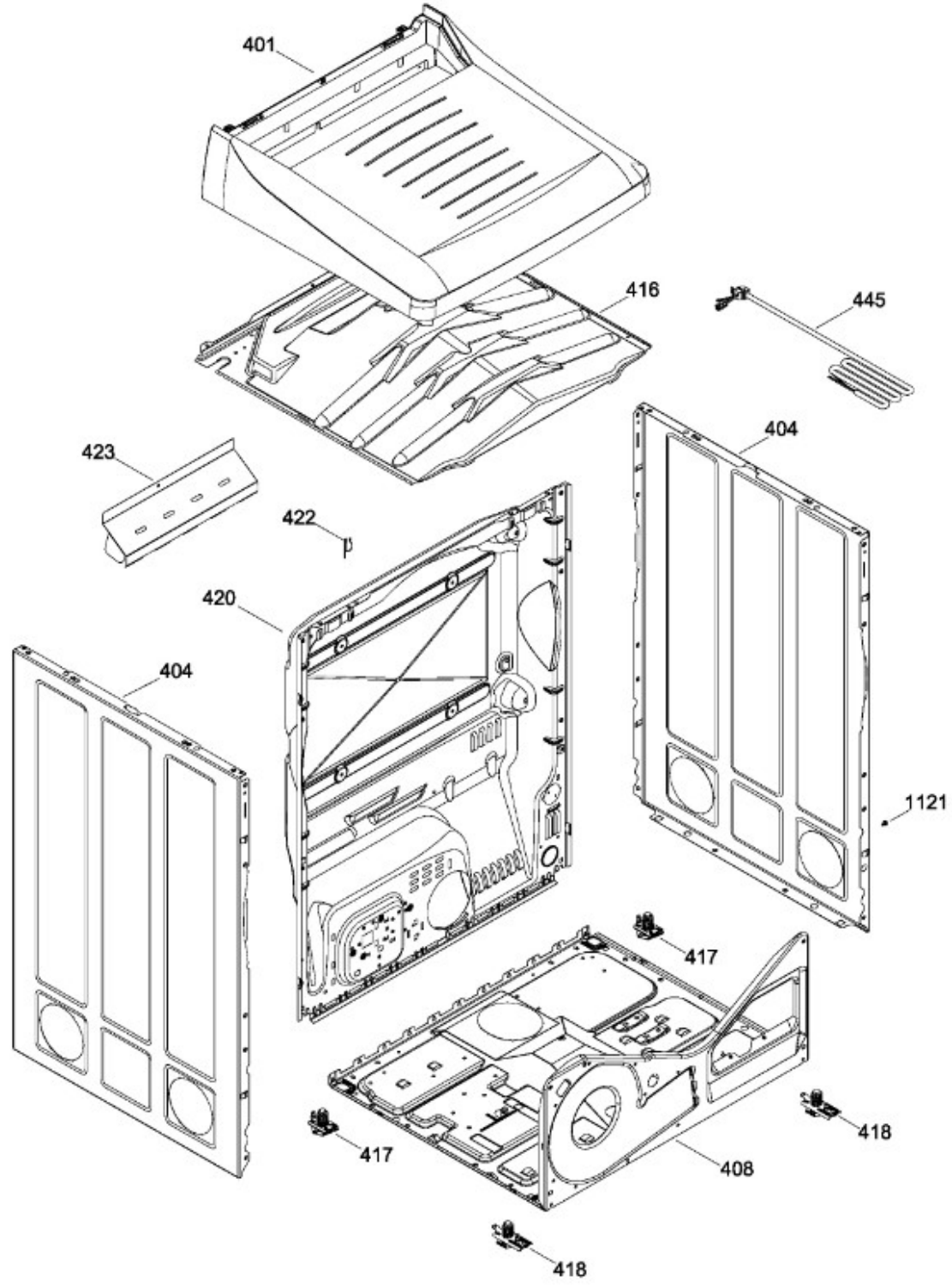
BENITO JUÁREZ #1500 GPE ZITON, CD. GUADALUPE NUEVO LEÓN TEL: 8183377999 Y 49
HORARIOS: LUNES A VIERNES 8:30 A 6:00 PM Y SÁBADOS DE 8:30 A 2:00 PM
WEB: www.denek.com



SECADORA SMV749NXEBB00

GABINETE / STRUCTURE

SMV749NXEBB00
SMV749NXEGG00



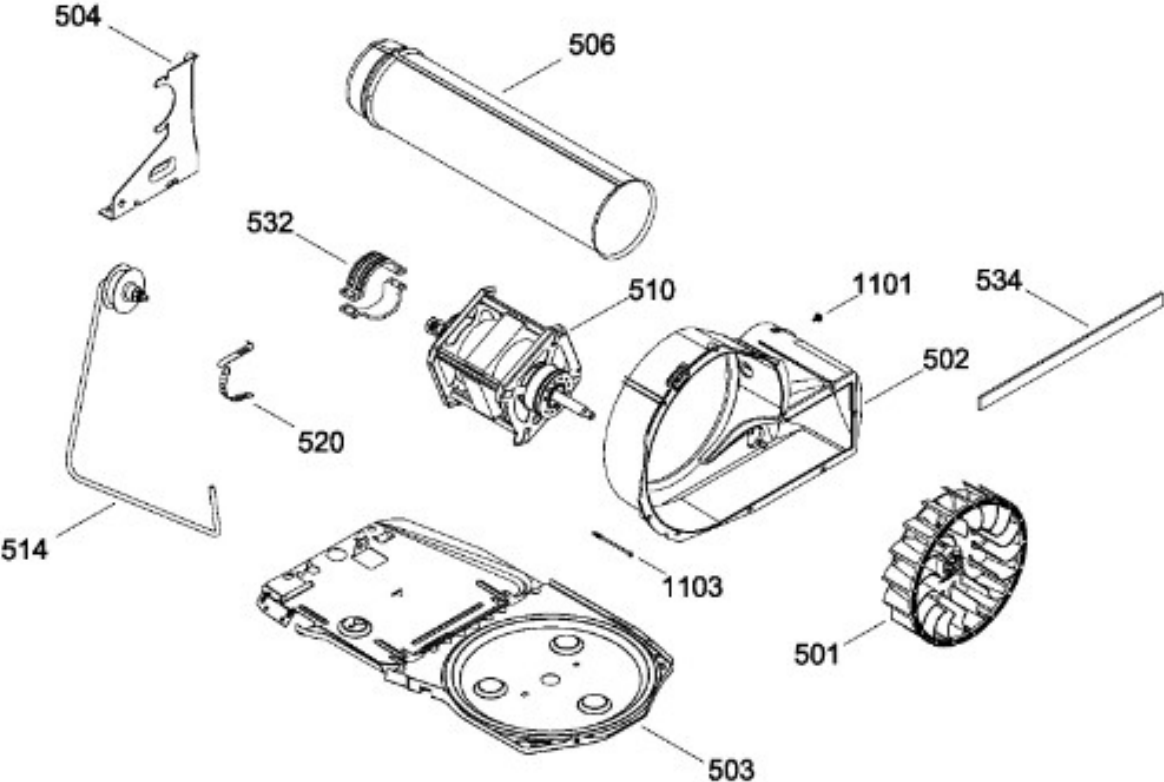
BENITO JUÁREZ #1500 GPE ZITON, CD. GUADALUPE NUEVO LEÓN TEL: 8183377999 Y 49
HORARIOS: LUNES A VIERNES 8:30 A 6:00 PM Y SÁBADOS DE 8:30 A 2:00 PM
WEB: www.denek.com



SECADORA SMV749NXEBB00

SISTEMA DE TRANSMISION / BLOWER & DRIVE ASSEMBLY

SMV749NXEBB00
SMV749NXEGG00



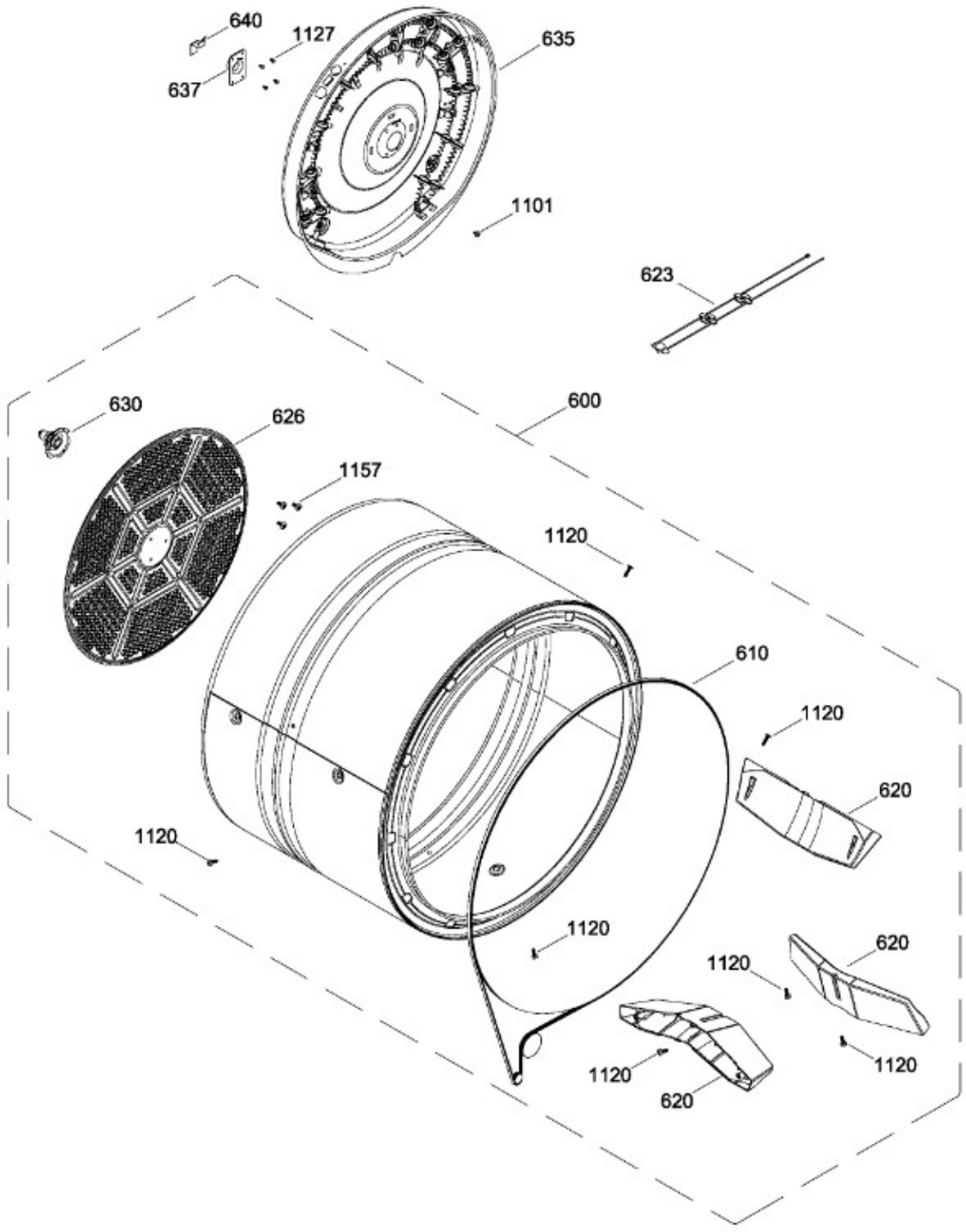
BENITO JUÁREZ #1500 GPE ZITON, CD. GUADALUPE NUEVO LEÓN TEL: 8183377999 Y 49
HORARIOS: LUNES A VIERNES 8:30 A 6:00 PM Y SÁBADOS DE 8:30 A 2:00 PM
WEB: www.denek.com



SECADORA SMV749NXEBB00

TAMBOR (ENS) / DRUM (ASM)

SMV749NXEBB00
SMV749NXEGG00



BENITO JUÁREZ #1500 GPE ZITON, CD. GUADALUPE NUEVO LEÓN TEL: 8183377999 Y 49
HORARIOS: LUNES A VIERNES 8:30 A 6:00 PM Y SÁBADOS DE 8:30 A 2:00 PM
WEB: www.denek.com

| Guía | Refacción | Descripción |
|------|------------|-------------------------------|
| 3 | WW01F01530 | OVERLAY |
| 5 | WW02L00032 | CAPUCHON TOMACORRIENTE |
| 7 | WW01L01380 | PERILLA DE CONTROL ENSAMBLE |
| 8 | WW01L01382 | PERILLA ROTATORIA ENSAMBLE |
| 9 | WW02A00063 | GUIA LUZ |
| 11 | WW02F00087 | CUBIERTA DISPLAY |
| 19 | WW02L00136 | BOTON INICIO |
| 20 | WW02L00137 | BUJE PARA PEILLA |
| 29 | WW02A00091 | JUMPER ELECTRIC |
| 31 | WW02F00034 | ENS. TARJETA CIRCUITO IMPRESO |
| 40 | WW01L01372 | COPETE |
| 100 | WW02L00049 | PANEL FRONTAL (BCO) |
| 101 | WW02F00190 | FILTRO ATRAPAPELUSA |
| 101 | WW02F00615 | FILTRO ATRAPAPELUSA |
| 102 | WW02L00025 | INTERRUPTOR PUERTA |
| 105 | WW02L00210 | SEPARADOR PUERTA |
| 110 | WW02L00199 | COJINETE SUP. |
| 110 | WW01L01430 | COJINETE SUP. |
| 113 | WW01L01329 | FELPA COLECTOR DE AIRE |
| 113 | WW02F00783 | FELPA COLECTOR DE AIRE |
| 114 | WW02L00145 | SELLO PUERTA |
| 115 | WW02A00033 | BEARING_SLIDE |
| 116 | WW02L00038 | BEARING_SLIDE |
| 118 | WW02F00094 | ARNES SENS.OR |
| 120 | WW02A00004 | STRIKE |
| 123 | WW02A00056 | STRIKE PLATE |
| 124 | WW02A00057 | STRIKE PLATE |
| 125 | WW02F00088 | SENSOR ROD |
| 126 | WW02L00040 | GASKET FOAM |
| 127 | WW02A00067 | LAMP |
| 127 | WW03F00458 | LAMP |
| 129 | WW02L00104 | ENS. CLAVIJA |
| 129 | WW01F01584 | ENS. CLAVIJA |
| 132 | WW02L00039 | SELLO |
| 132 | WW03F00354 | SELLO |

| Guía | Refacción | Descripción |
|------|------------|-------------------------|
| 137 | WW03L00116 | COLECTOR DE AIRE ENS |
| 137 | WW02F00597 | COLECTOR DE AIRE ENS |
| 150 | WW02L00190 | PARRILLA PARA ZAPATOS |
| 202 | WW02L00052 | PUERTA INTERIOR(BLANCA) |
| 202 | WW02L00052 | PUERTA INTERIOR(BLANCA) |
| 207 | WW01L01364 | PUERTA EXTERIOR |
| 207 | WW01L01493 | PUERTA EXTERIOR |
| 208 | WW02L00055 | JALADERA |
| 209 | WW01L01365 | VIDRIO PUERTA |
| 213 | WW02L00037 | LATCH ASM. |
| 220 | WW02L00029 | BISAGRA |
| 220 | WW02L00028 | BISAGRA |
| 229 | WW02L00101 | SOPORTE VIDRIO |
| 229 | WW02L00101 | SOPORTE VIDRIO |
| 236 | WW02A00065 | BOTON BELLEZA |
| 401 | WW02A00043 | CUBIERTA SECADORA |
| 401 | WW02A00043 | CUBIERTA SECADORA |
| 401 | WW02A00043 | CUBIERTA PLASTICA |
| 404 | WW02L00149 | PANEL LATERAL |
| 404 | WW02L00149 | PANEL LATERAL |
| 406 | WW02F00134 | ENS. ARNES |
| 406 | WW02F00451 | ENS. ARNES |
| 408 | WW02F00076 | BASTIDOR BASE |
| 416 | WW02A00045 | DELFECTOR DE CALOR |
| 416 | WW02A00045 | DELFECTOR DE CALOR |
| 417 | WW02A00059 | ENS. SOPORTE POST. |
| 418 | WW02L00108 | ENS. SOPORTE FRONT. |
| 420 | WW03L00095 | PANEL POSTERIOR |
| 422 | WW02F00022 | CORD SET RETAINER |
| 423 | WW02L00107 | ESCUDO CALOR POST. |
| 445 | WW02F00016 | CORDON TOMACORRIENTE |
| 501 | WW01F01162 | VENTILADOR REDONDO |
| 502 | WW02F00109 | BLOWER HOUSING |
| 502 | WW03L00150 | BLOWER HOUSING |
| 503 | WW01L01163 | BASE MOTOR |

| Guía | Refacción | Descripción |
|------|--------------|-------------------------|
| 503 | WW01L01163 | BASE MOTOR |
| 503 | WW01L01163 | BASE MOTOR |
| 503 | WW02L00642 | BASE MOTOR |
| 504 | WW02F00027 | SOPORTE MOTOR |
| 506 | 572D559P006T | CONDUCTO DE ESCAPE |
| 510 | WW02F00015 | MOTOR POLEA ENS. |
| 510 | WW03A00209 | MOTOR POLEA ENS. |
| 514 | WW02A00008 | ENS. BRAZO AUXILIAR |
| 514 | WW03F00350 | ENS. BRAZO AUXILIAR |
| 520 | WW02F00031 | CLIP MOTOR |
| 532 | WW02F00003 | CORREA MOTOR |
| 532 | WW02A00232 | CORREA MOTOR |
| 534 | WW02A00026 | EMPAQUE ESCAPE SOPLADOR |
| 534 | WW02F00785 | EMPAQUE ESCAPE SOPLADOR |
| 600 | WW02F00057 | ENS. TAMBOR |
| 610 | WW02F00028 | BANDA SECADORA |
| 610 | WW02F00854 | BANDA SECADORA |
| 620 | WW02L00143 | BAFFLE |
| 623 | WW02F00136 | ARNES |
| 626 | WW02F00221 | DIFUSOR |
| 626 | WW02F00827 | DIFUSOR |
| 630 | WW02A00019 | SOPORTEYFLECHAENSAMBLE |
| 635 | WW02A00049 | CALENTADOR ENSAMBLE |
| 637 | WW02A00005 | RETENEDOR RODAMIENTO |
| 640 | WW01A00443 | GROUND STRAP ASSEMBLY |
| 640 | WW02F00833 | GROUND STRAP ASSEMBLY |
| 707 | WW01A00539 | TORNILLO |
| 731 | WW02A00120 | CALZA |
| 1101 | WW02A00030 | TORNILLO |
| 1101 | WW02A00211 | TORNILLO |
| 1103 | WW02A00032 | TORNILLO |
| 1120 | WW02A00031 | TORNILLO |
| 1121 | WW01A00001 | TORNILLO |
| 1127 | WW01A00521 | TORNILLO |
| 1127 | WW02A00211 | TORNILLO |
| 1131 | WW02A00028 | TORNILLO |
| 1157 | WW01A00456 | TORNILLO #10 |

BENITO JUÁREZ #1500 GPE ZITON, CD. GUADALUPE NUEVO LEÓN TEL: 8183377999 Y 49

HORARIOS: LUNES A VIERNES 8:30 A 6:00 PM Y SÁBADOS DE 8:30 A 2:00 PM

WEB: www.denek.com